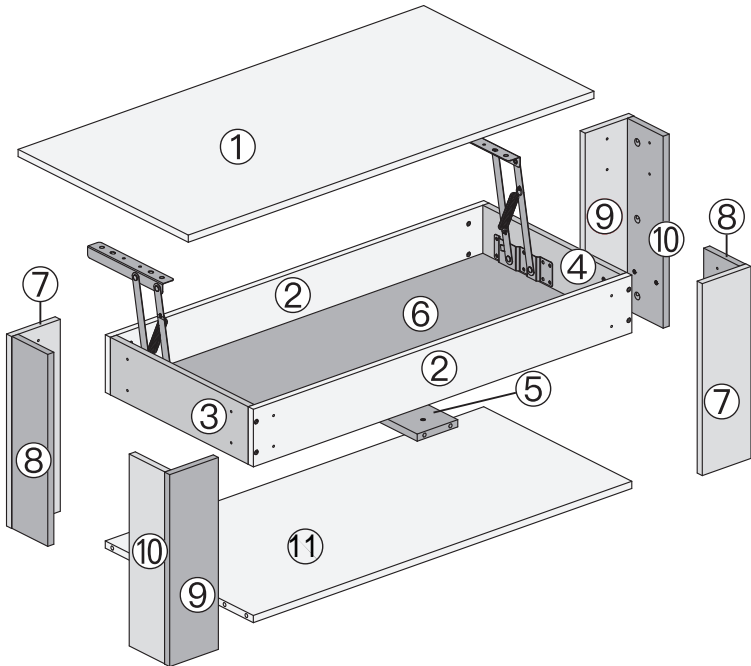
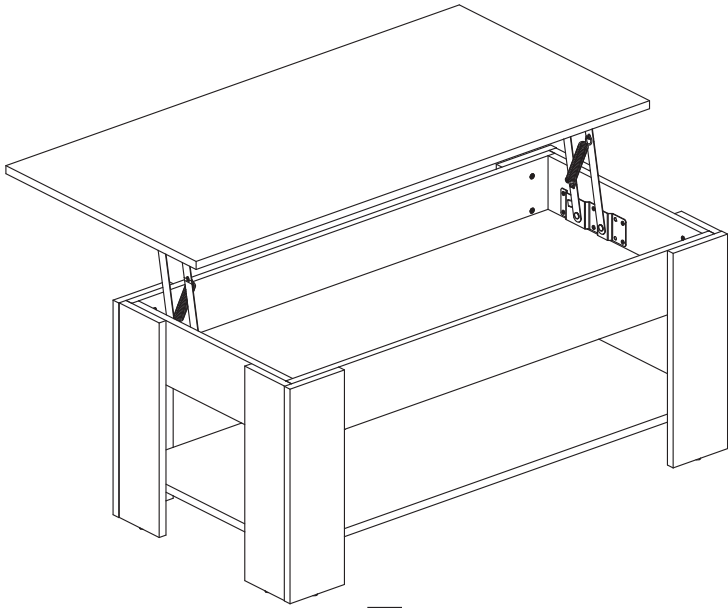
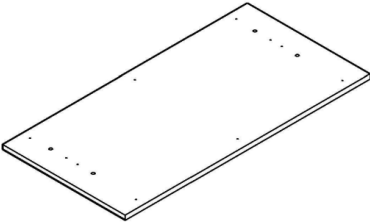
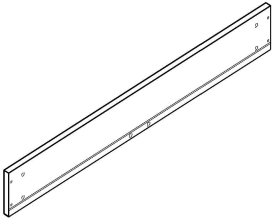
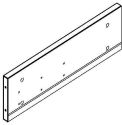
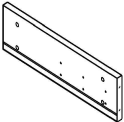
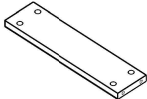
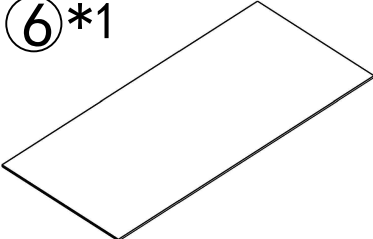

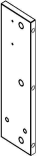

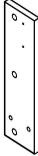
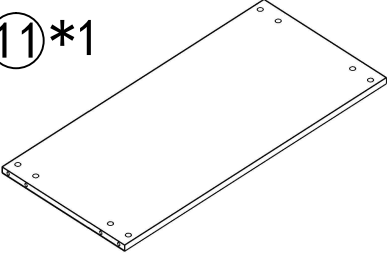
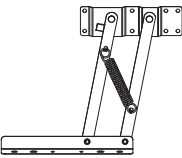
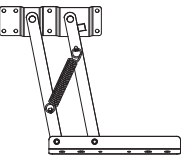

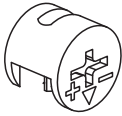
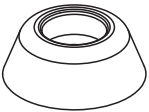







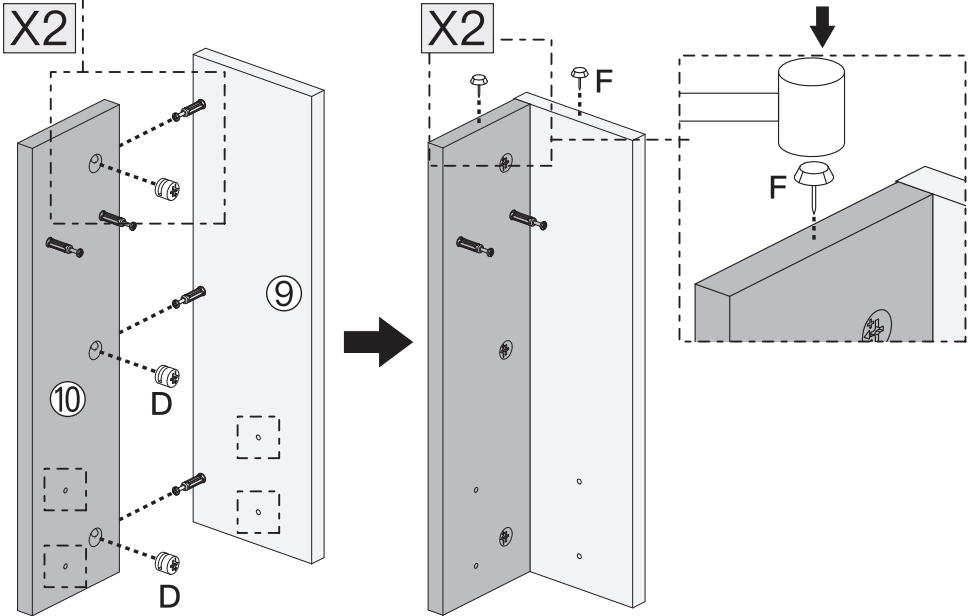
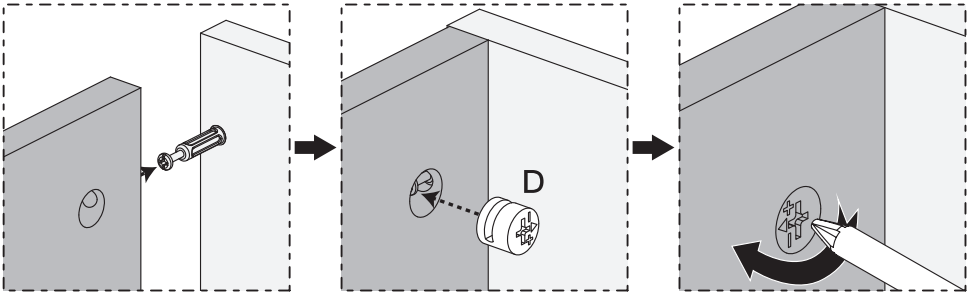
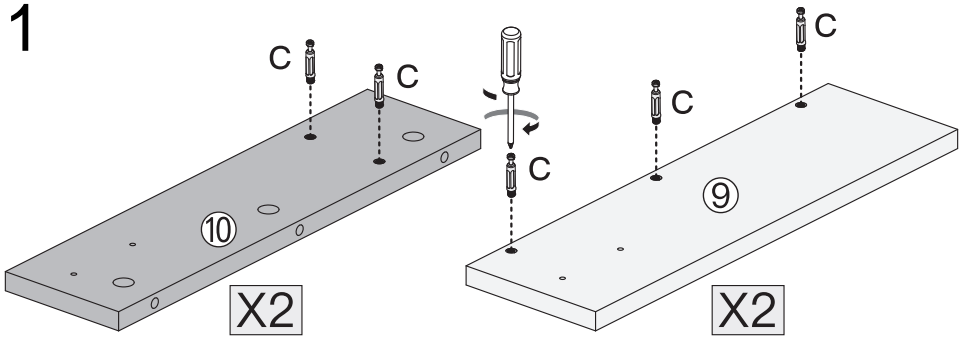
ATTENTION:

1. If there is any missing, please kindly send us messages to let us know the name of missing part regarding to the first page of instructions. We will send replacement to you asap.
2. If there is any damage, please send clear photos about damaged part to us as attachment, we will check and offer you best solution soon.
3. We are concerned about each customer's experience, if there is any loss or damage, please contact us at any time, we will provide effective solutions.



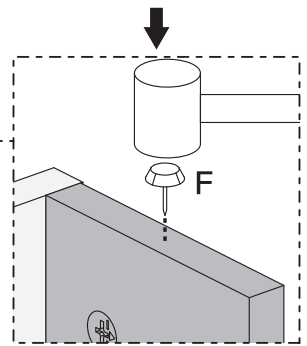
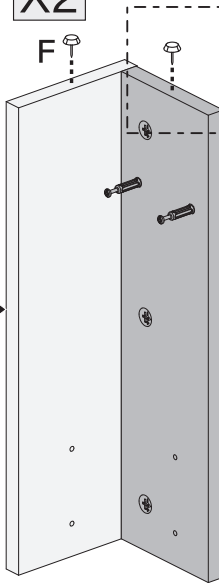
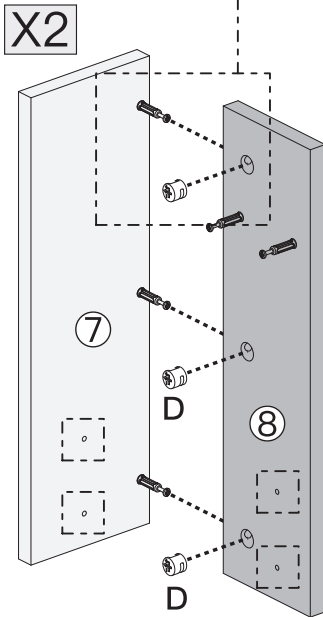
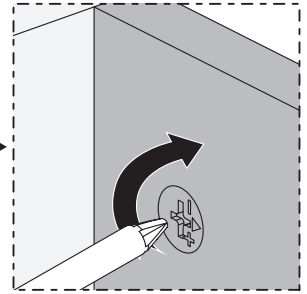
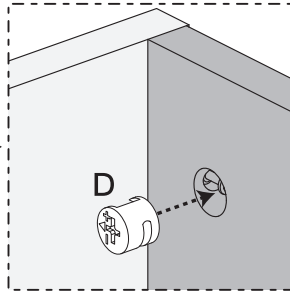
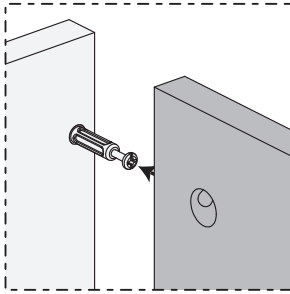
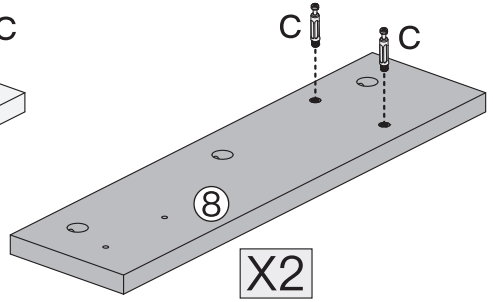
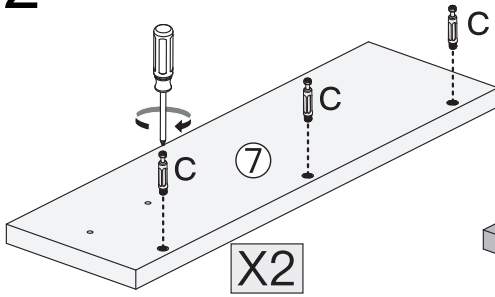
<p>①*1</p> 	<p>②*2</p> 	<p>③*1</p> 		
<p>④*1</p> 	<p>⑤*1</p> 	<p>⑥*1</p> 	<p>⑦*2</p> 	
<p>⑧*2</p> 	<p>⑨*2</p> 	<p>⑩*2</p> 	<p>⑪*1</p> 	
 <p>A*1</p>	 <p>B*1</p>	 <p>C*24</p>	 <p>D*24</p>	 <p>E*6</p>
 <p>F*8</p>	 <p>M6x12mm G*4</p>	 <p>M3.5x14mm H*22</p>	 <p>M3.5x25mm I*16</p>	 <p>M3.5x35mm J*8</p>

1



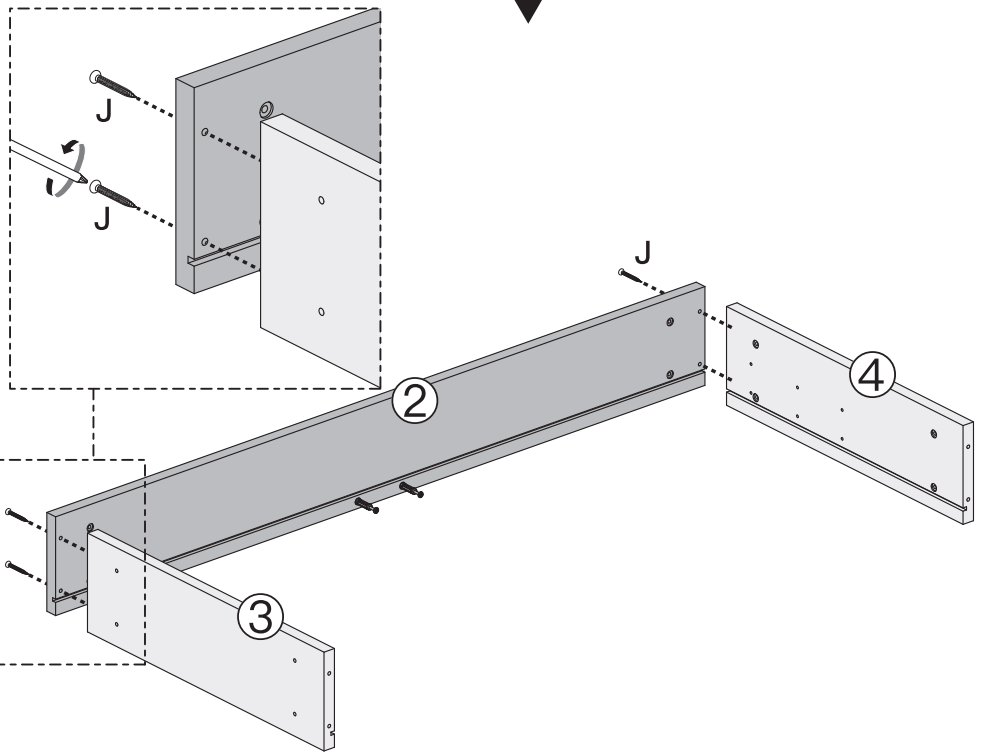
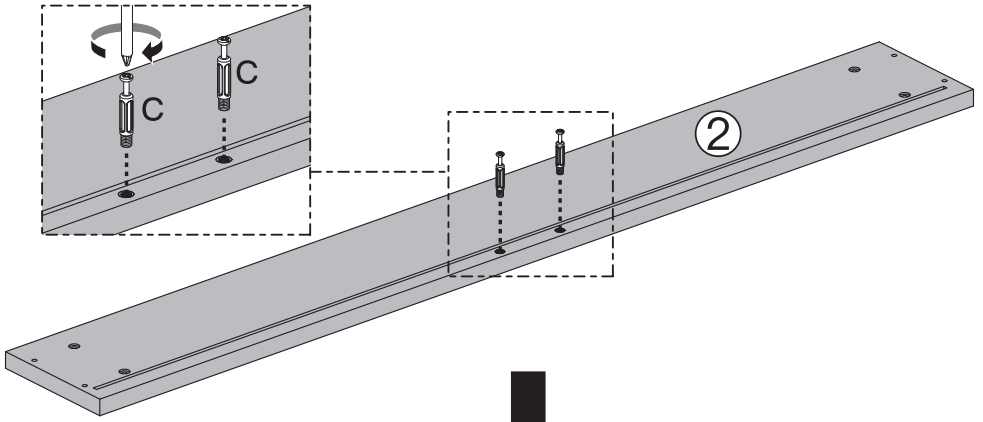
⑨*2 ⑩*2 C*10 D*6 F*4

2



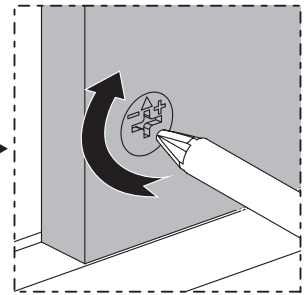
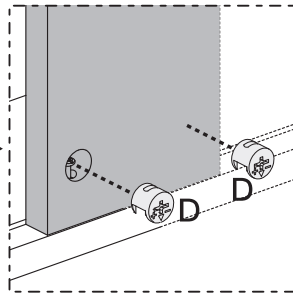
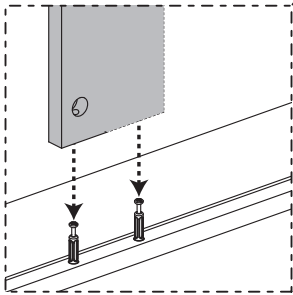
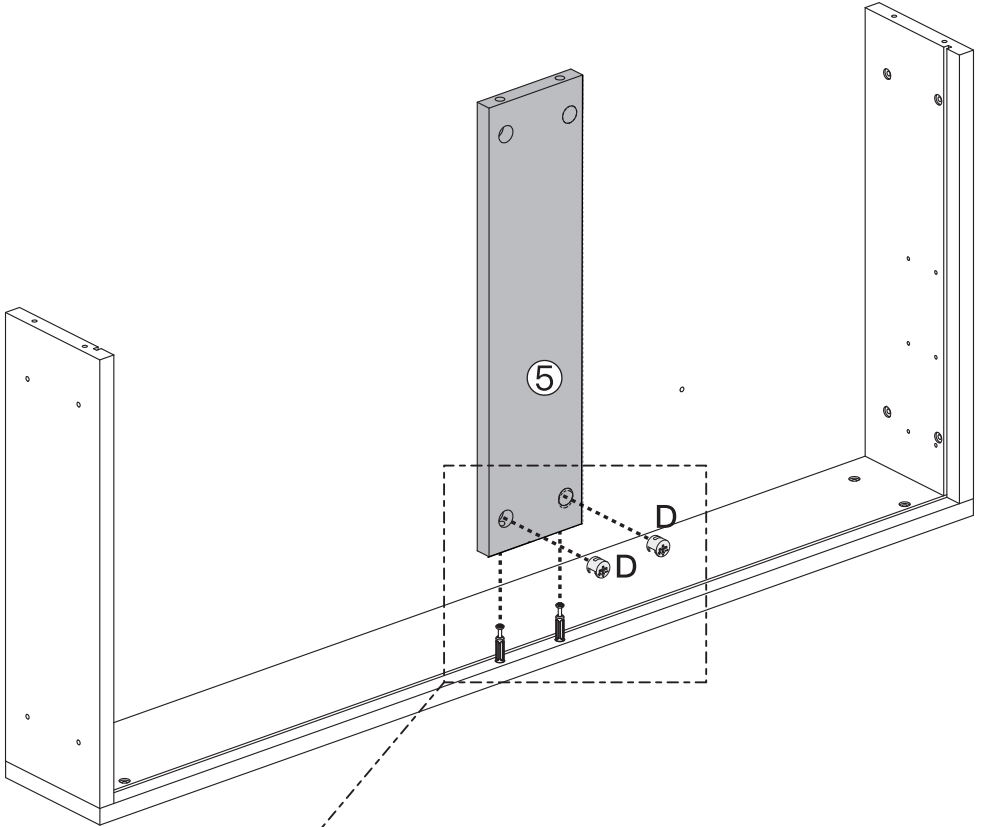
⑦*2 ⑧*2 C*10 D*6 F*4

3



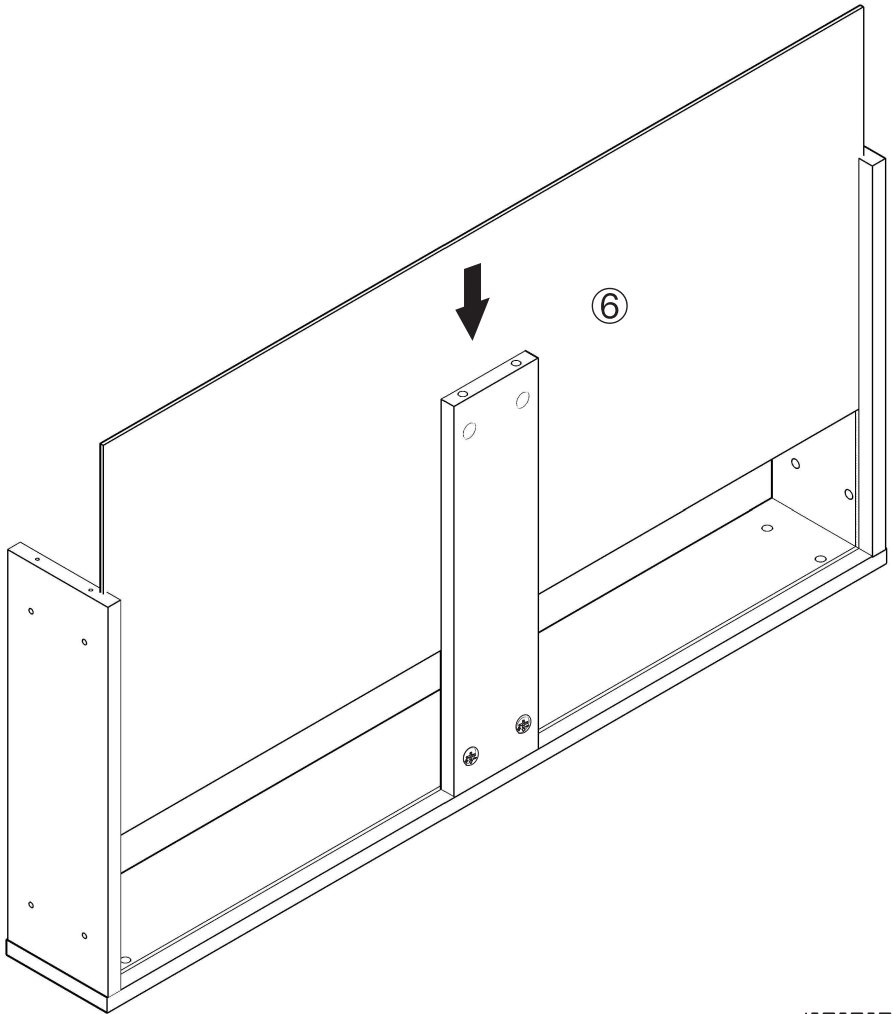
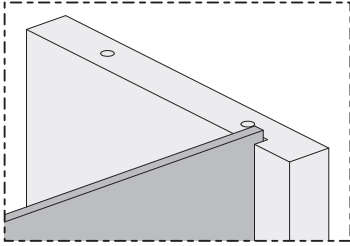
②*1 ③*1 ④*1 C*2 J*4

4



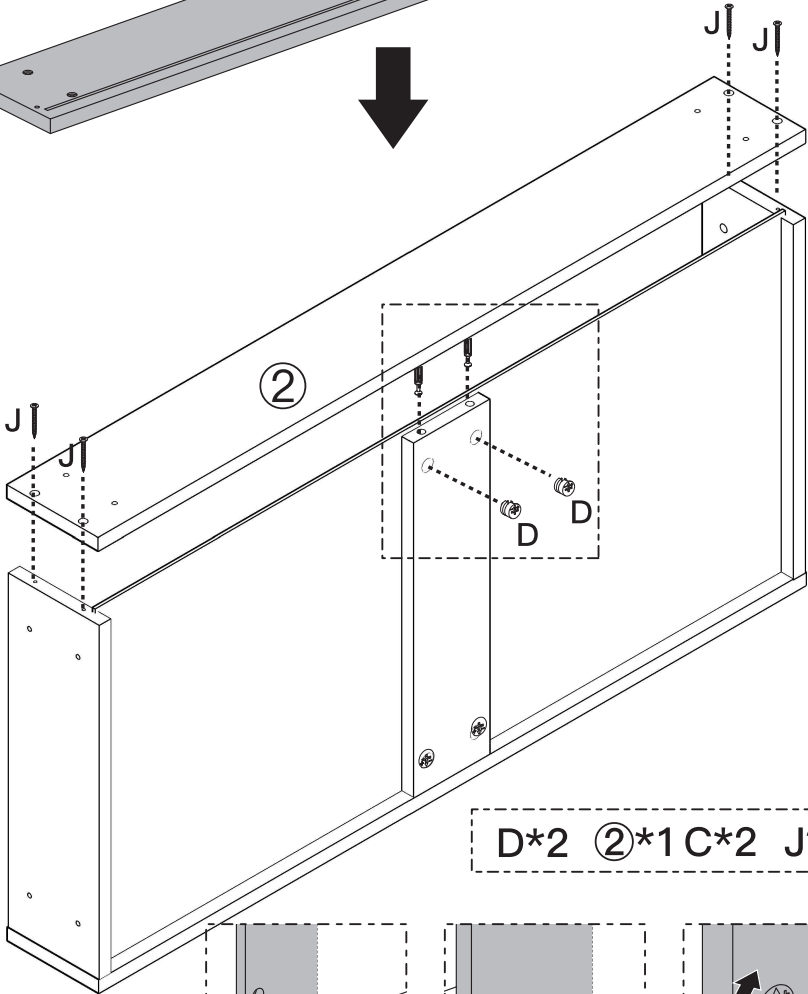
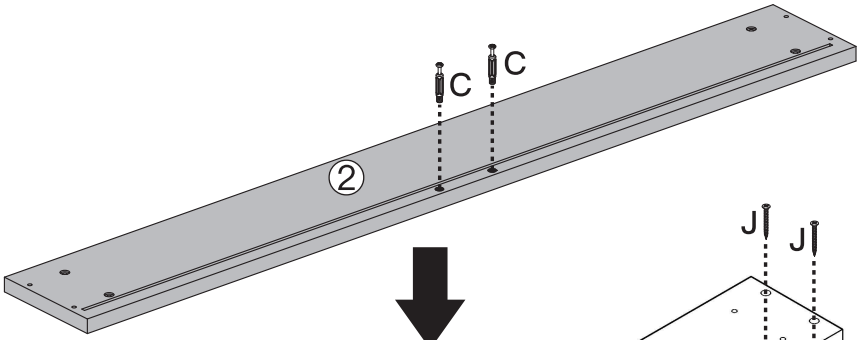
⑤*1 D*2

5

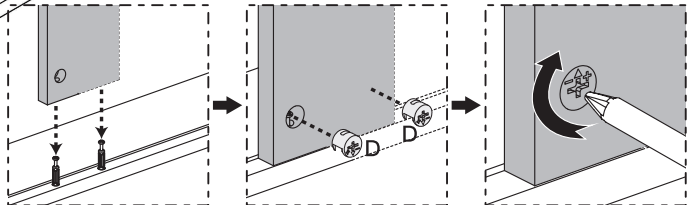


⑥*1

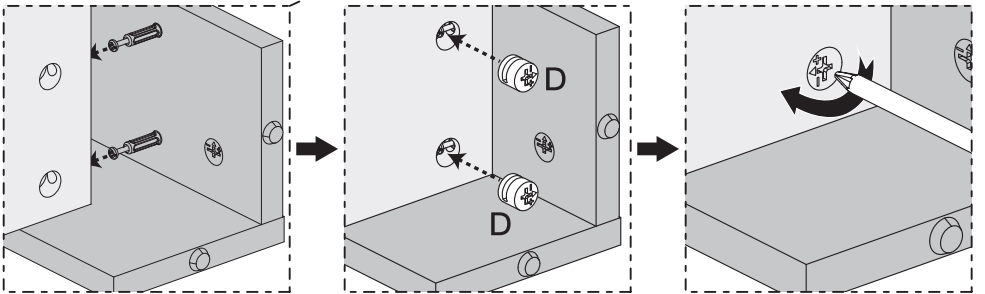
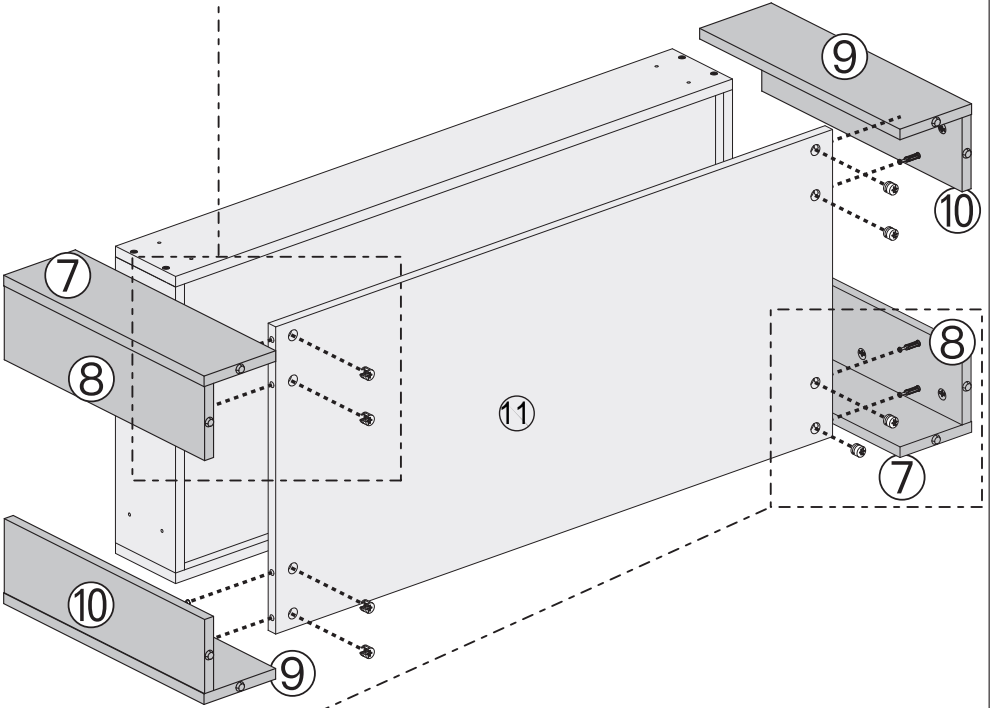
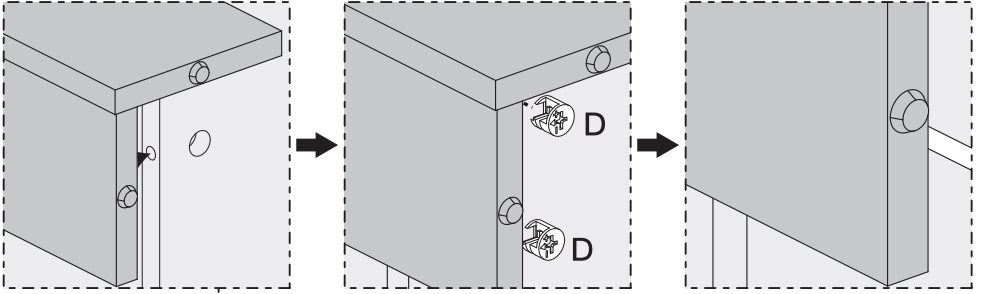
6



D*2 ②*1 C*2 J*4

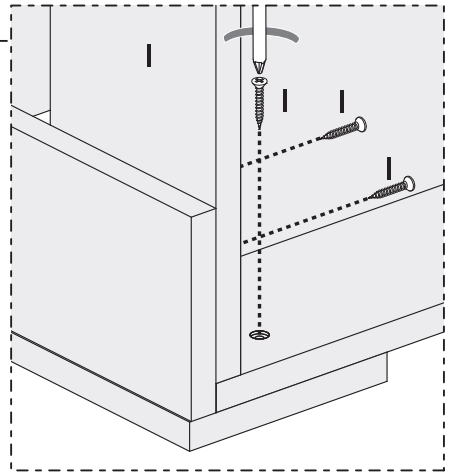
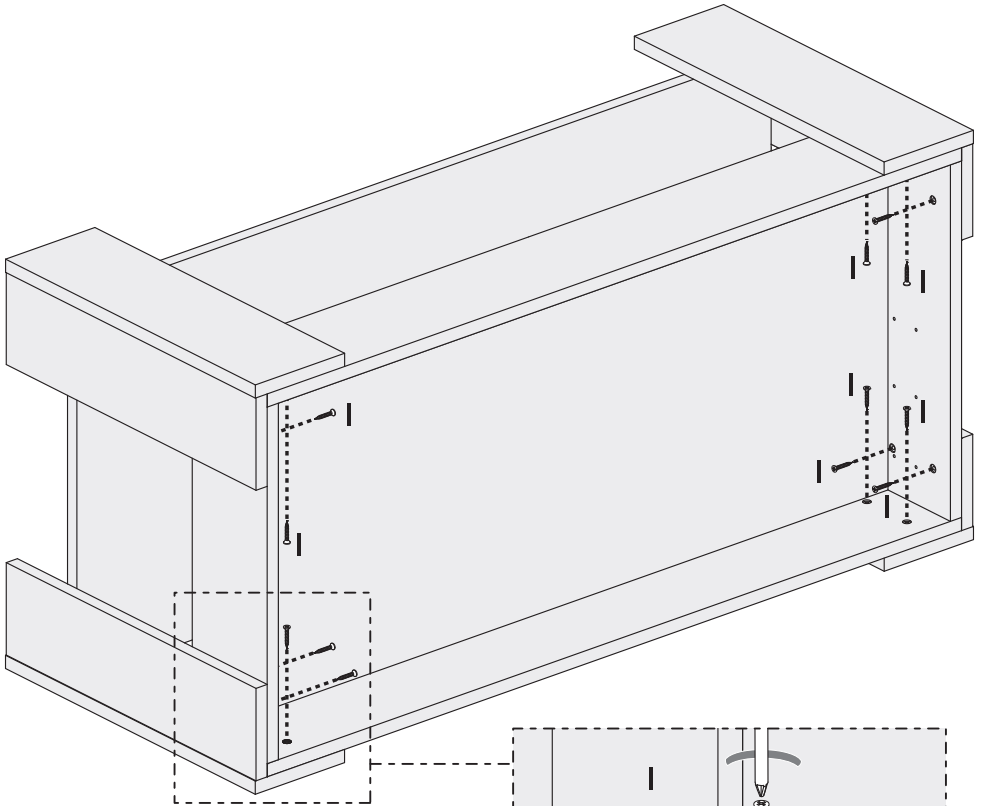


7



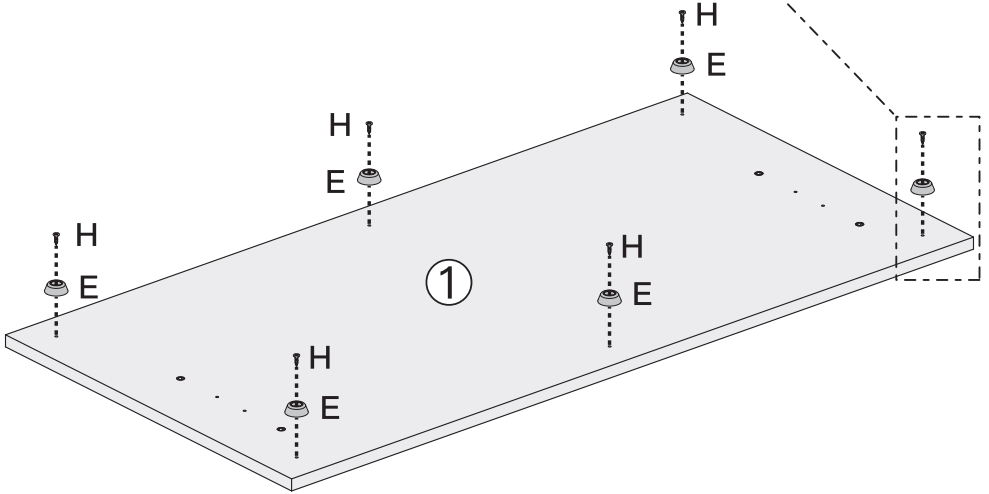
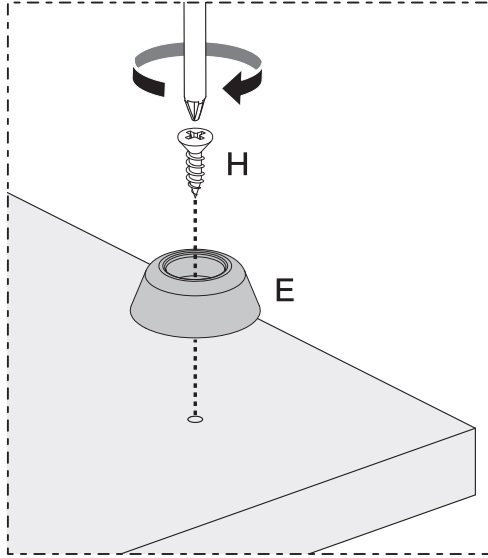
⑪*1D*8

8

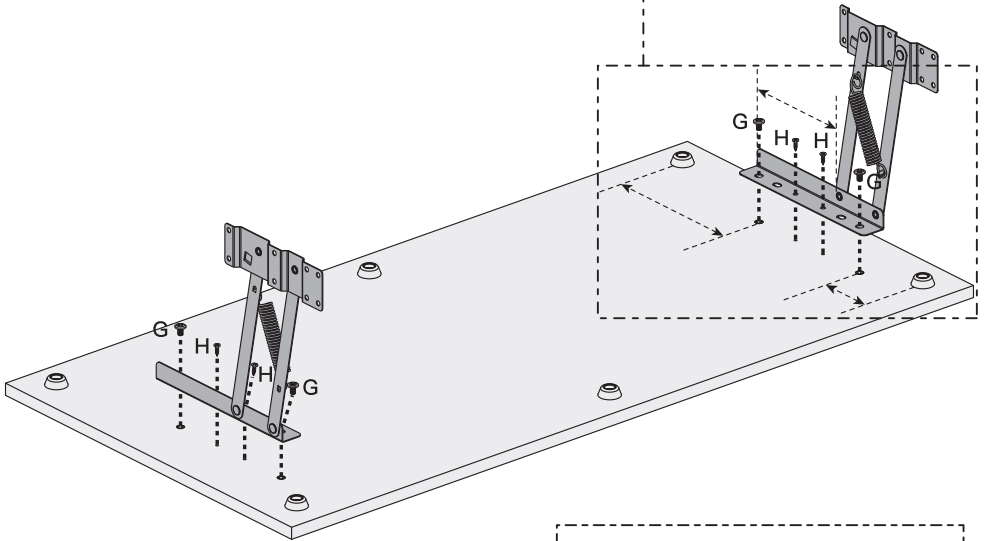
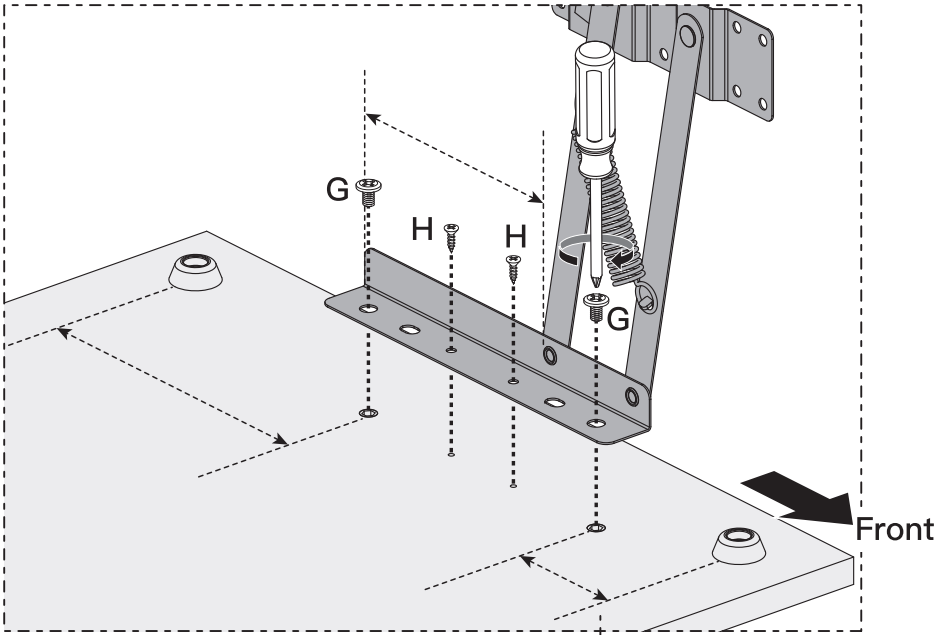


I*16

9

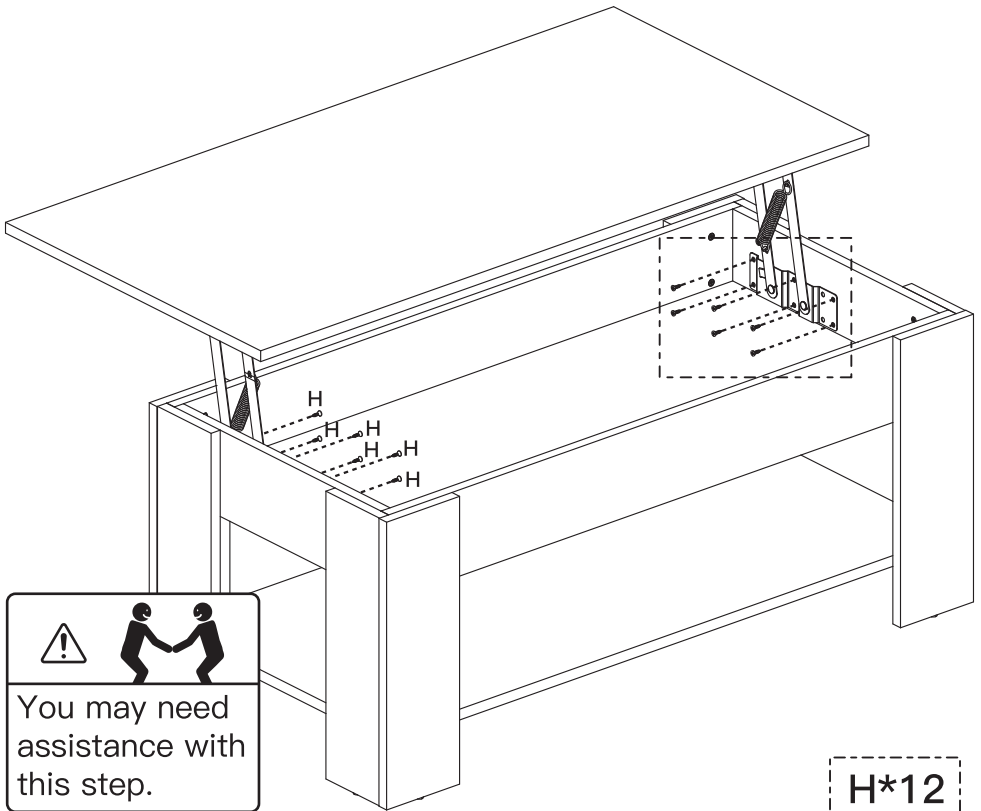
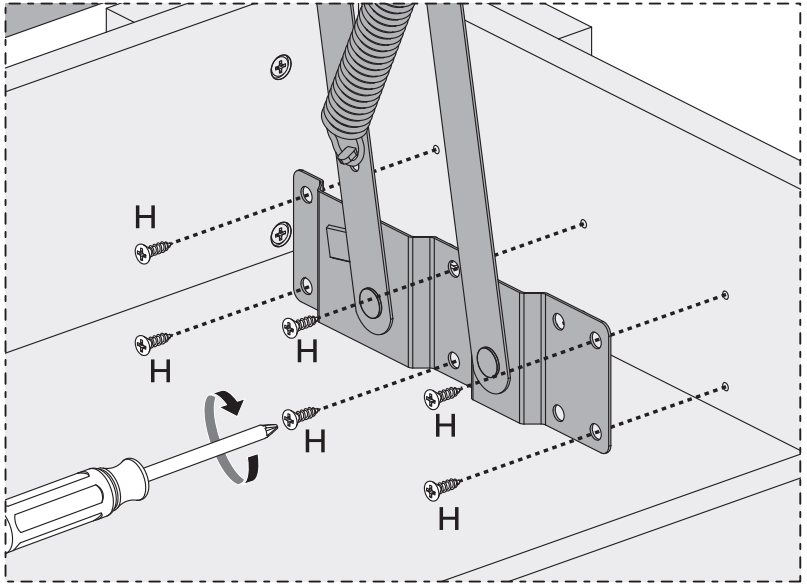


①*1 E*6 H*6



A*1 B*1 G*4 H*4

11



You may need assistance with this step.

H*12