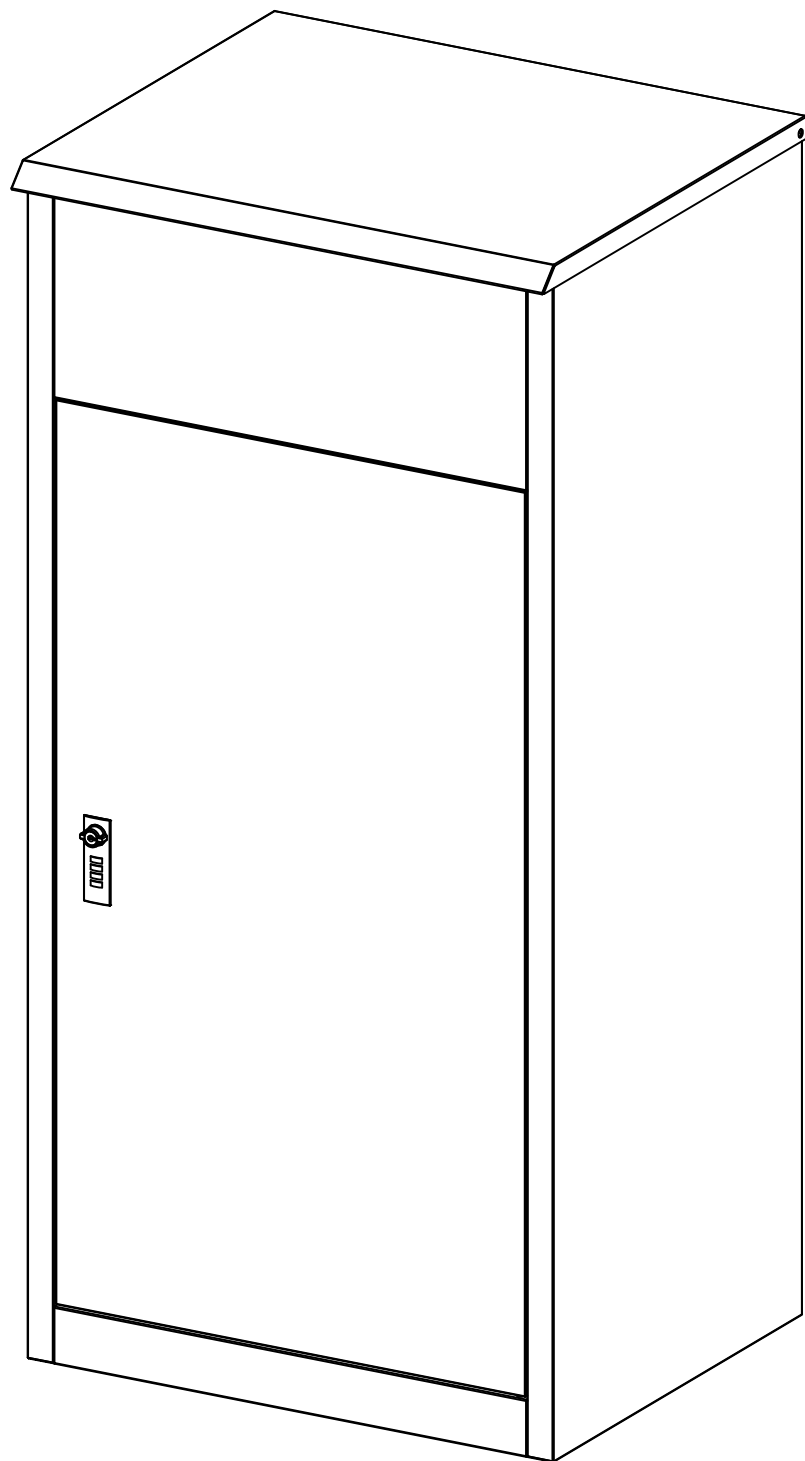
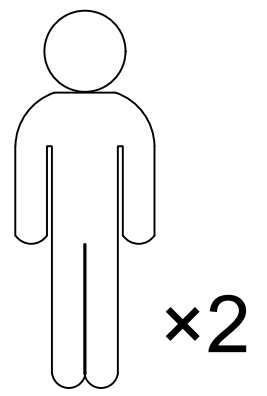
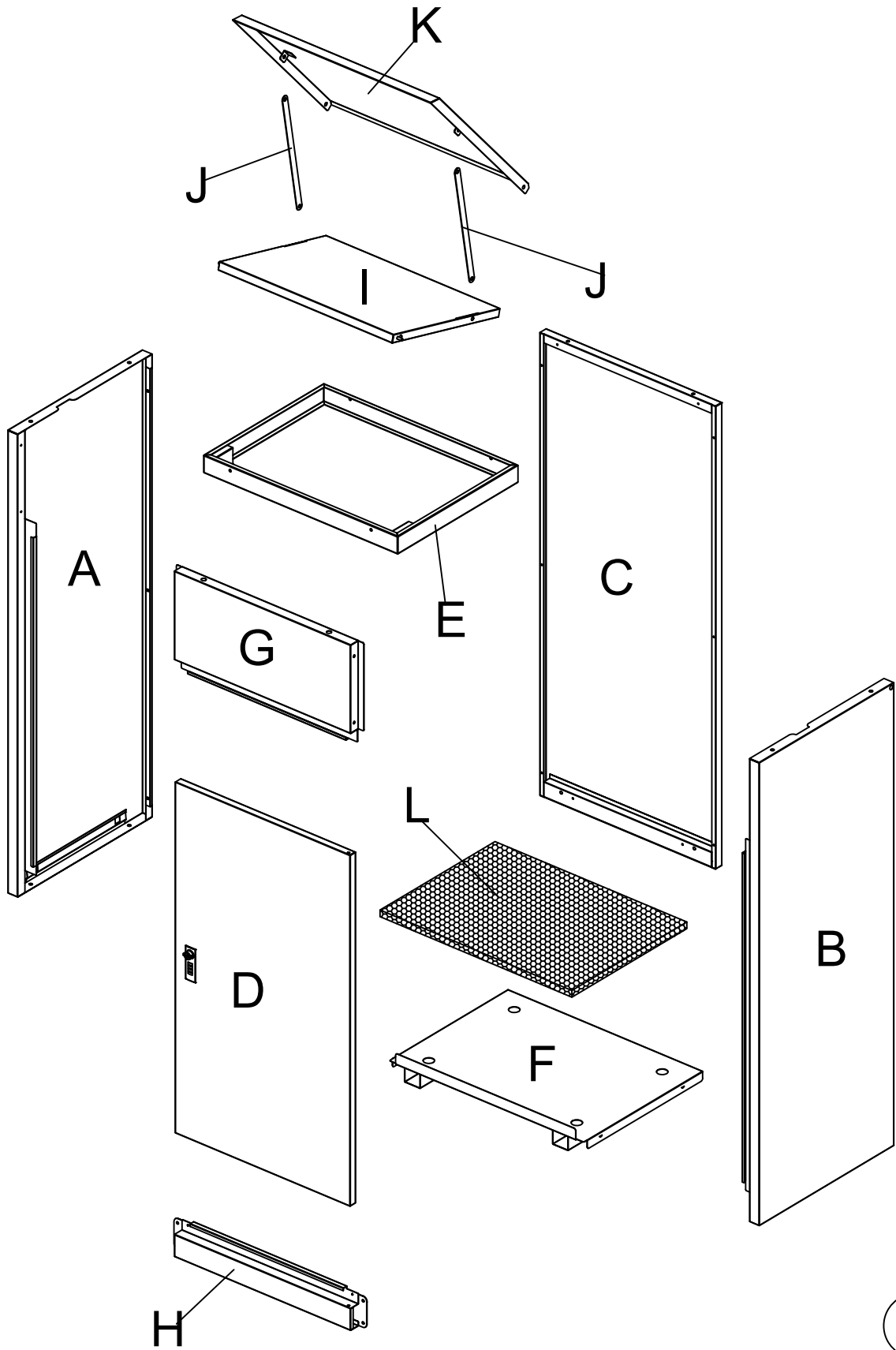
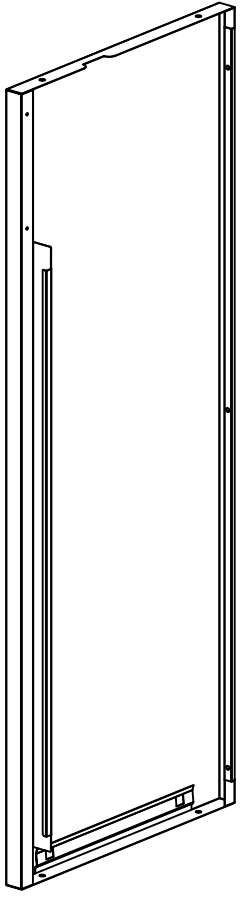


Installation Instructions

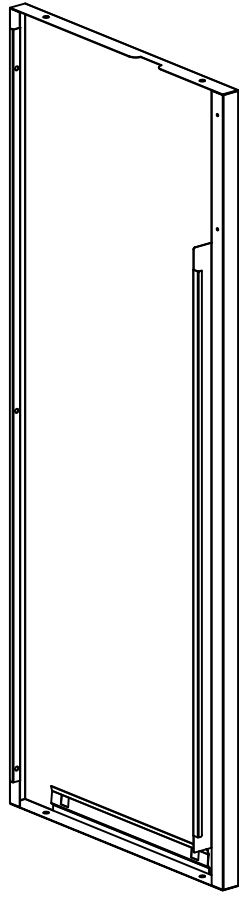




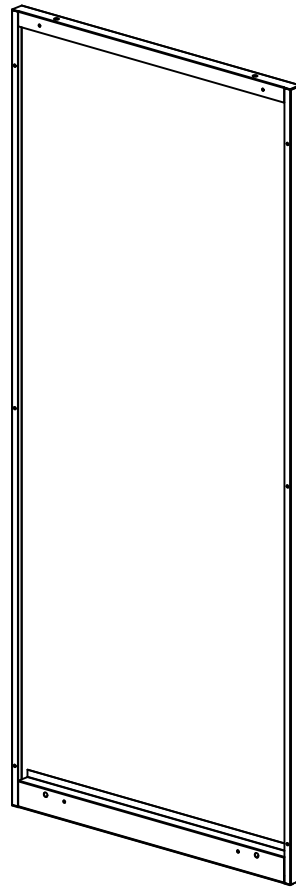
A×1



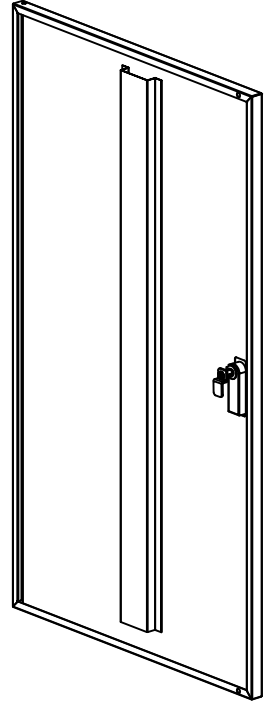
B×1



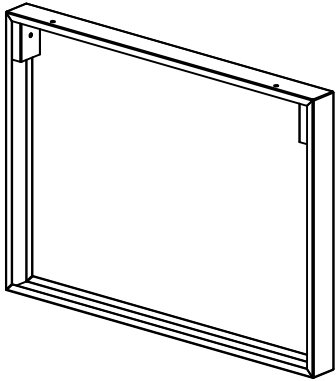
C×1



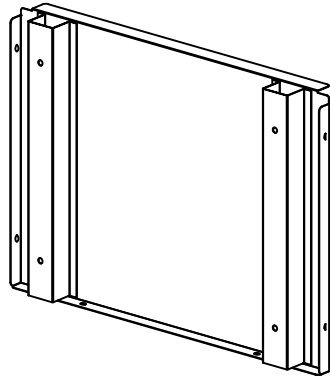
D×1



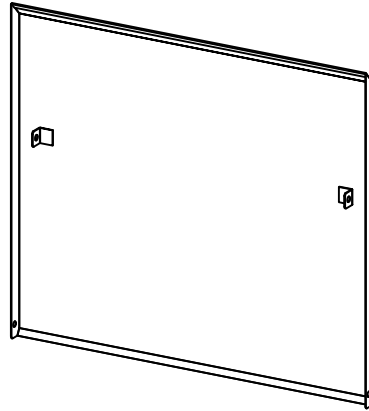
E×1



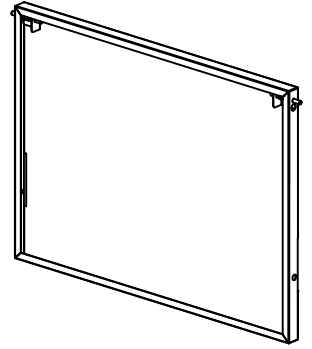
F×1



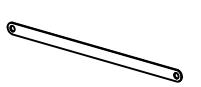
K×1



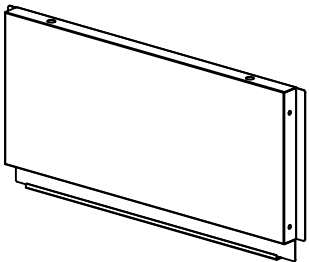
I×1



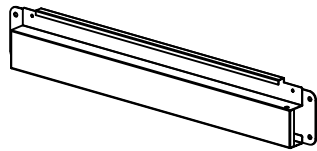
J×2



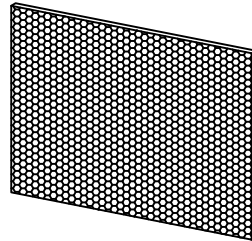
G×1



H×1



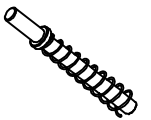
L×1



M×6



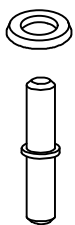
O×2



N×4



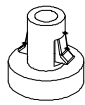
P×1



Q×20



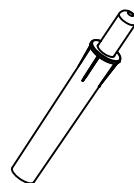
R×2



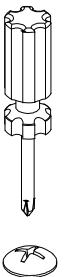
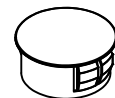
S×4



T×2

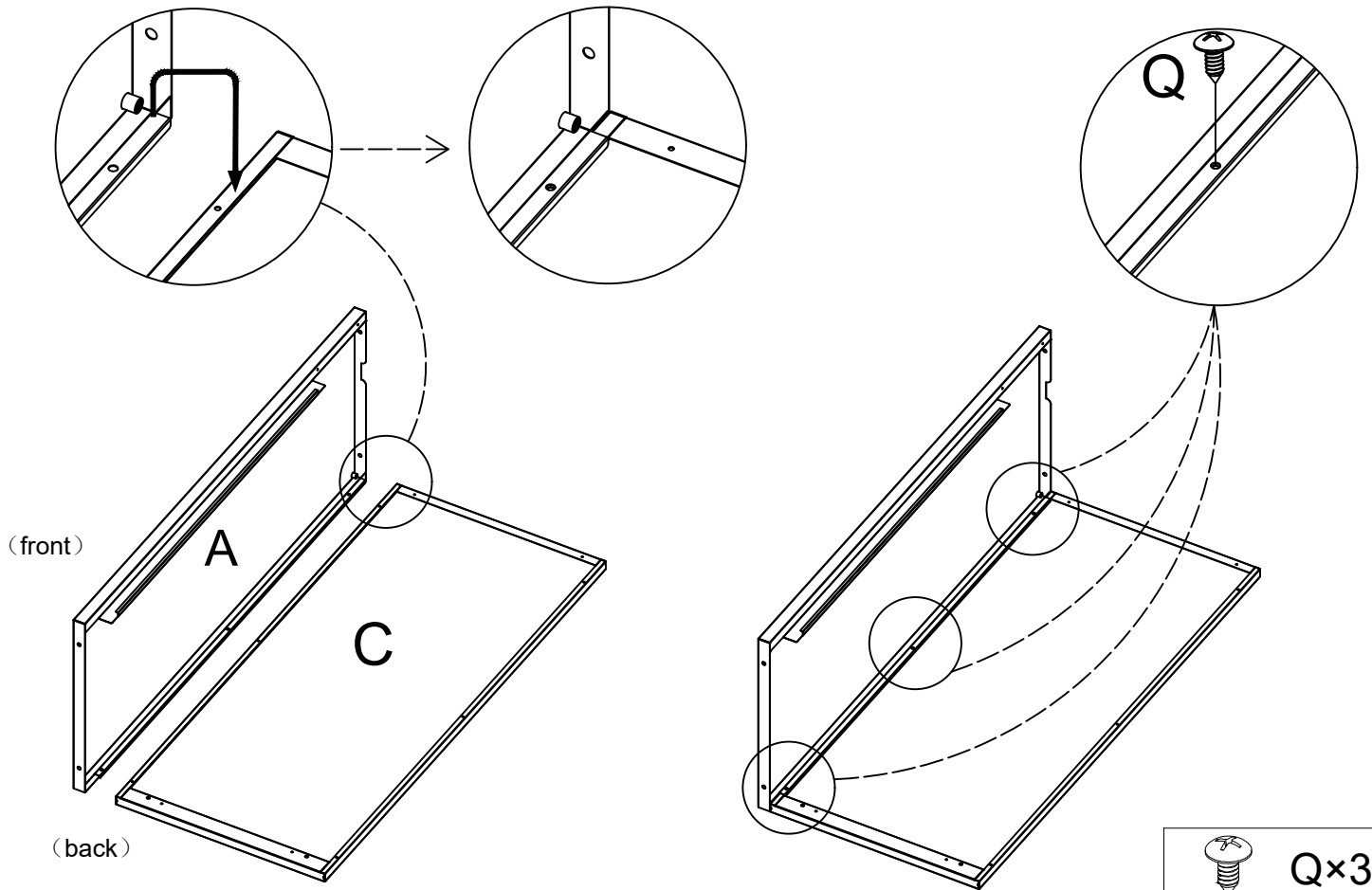


U×4



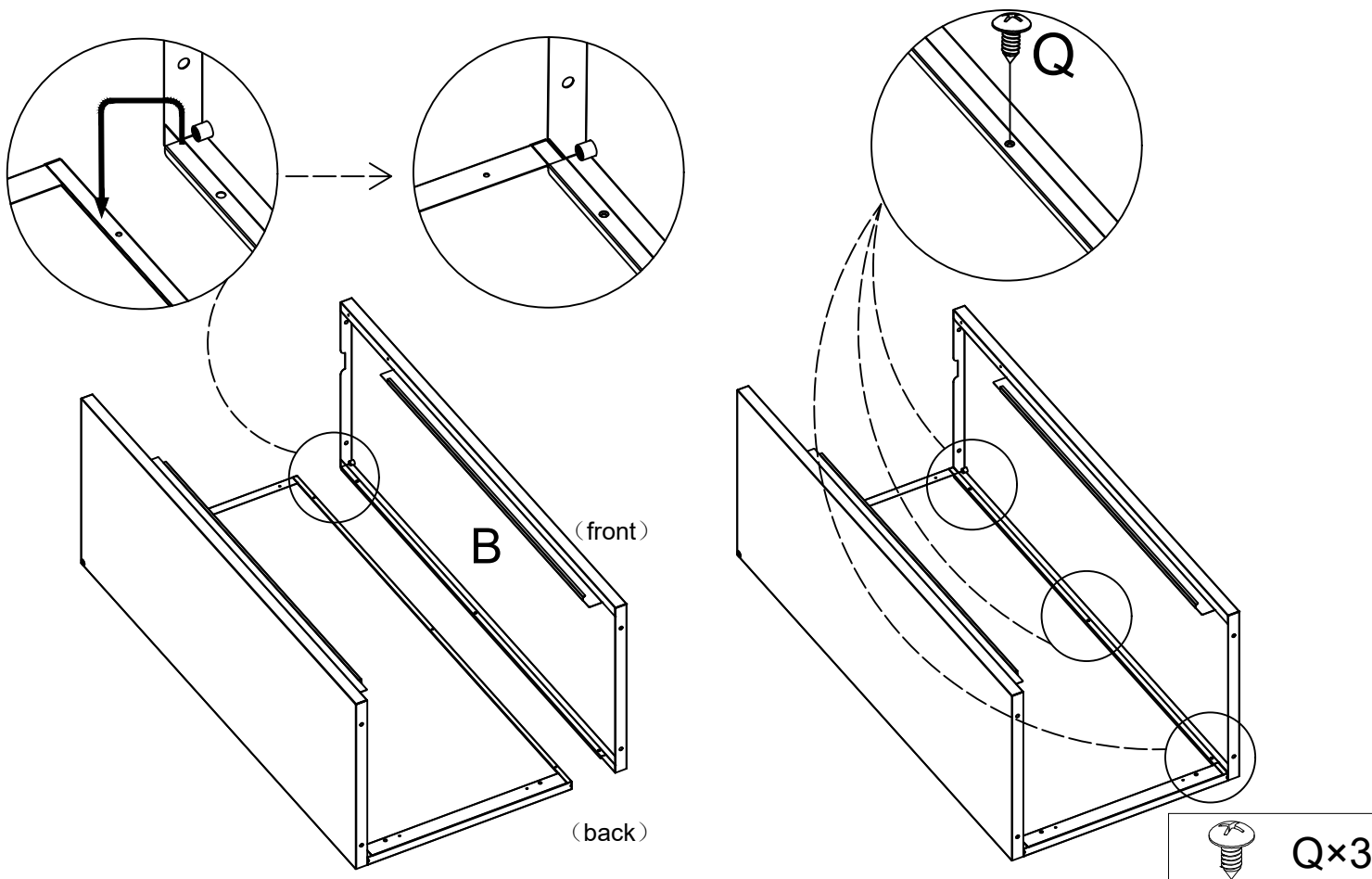
step1

Simply overlap the left side wall in the channel of the back wall and screw in three screws to hold it in place. Note that the side of the sidewall with the folded over edge should be in front.



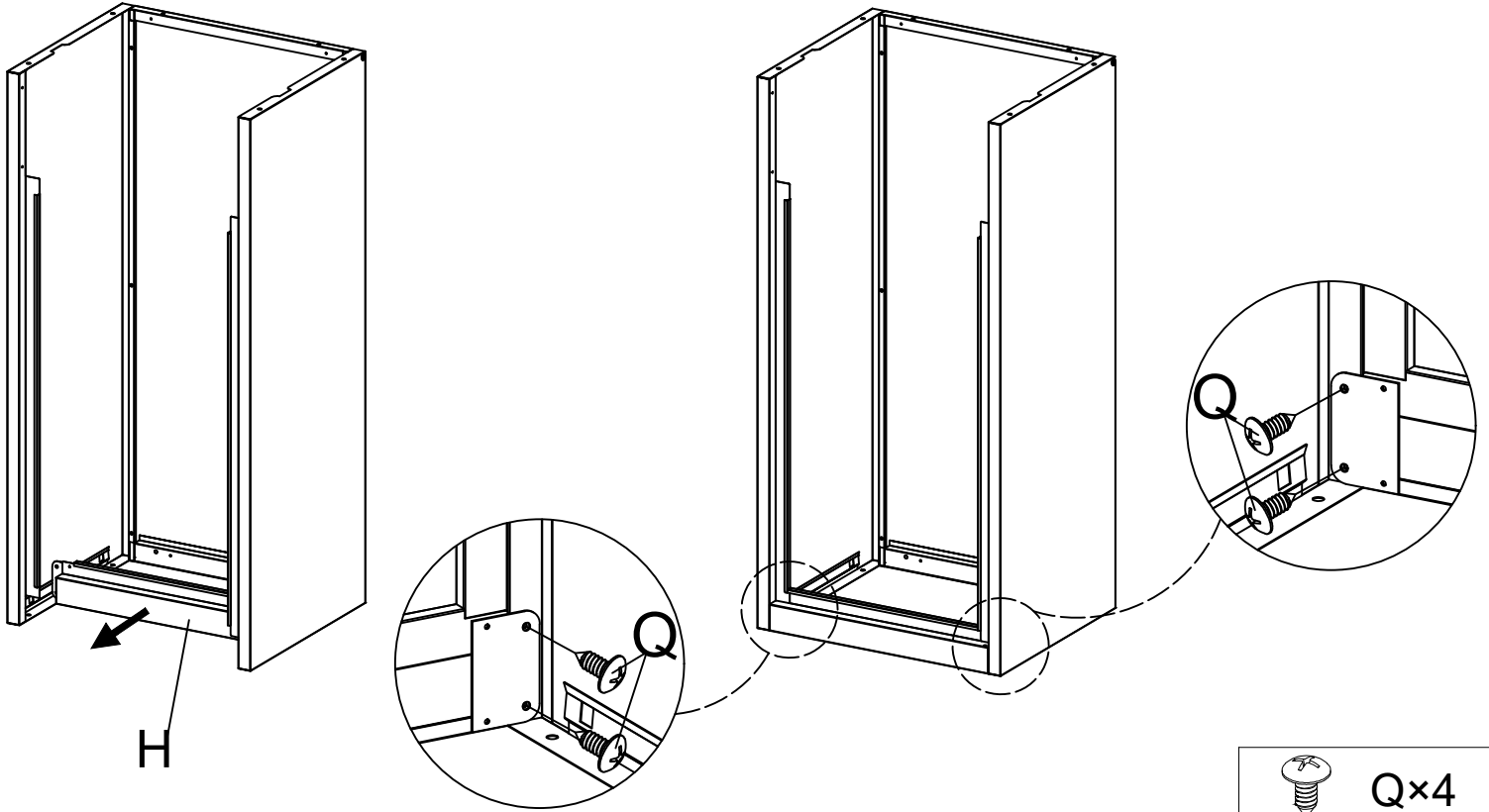
step2

Simply overlap the right side wall in the channel of the back wall and screw in three screws to hold it in place. Note that the side of the sidewall with the folded over edge should be in front.



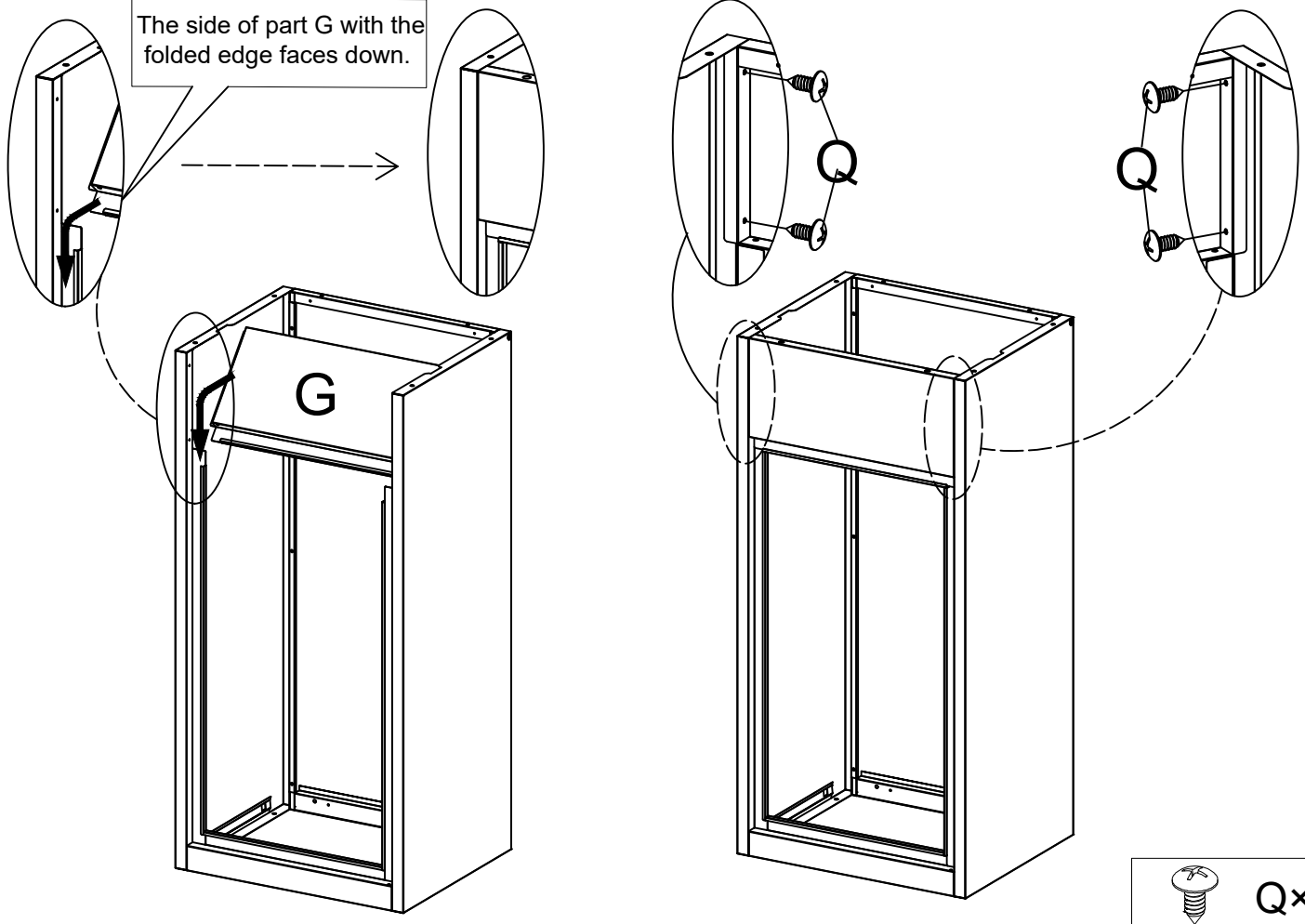
step3

Place part H into the cabinet, push it outward until it reaches the end, and secure it with 4 screws.



step4

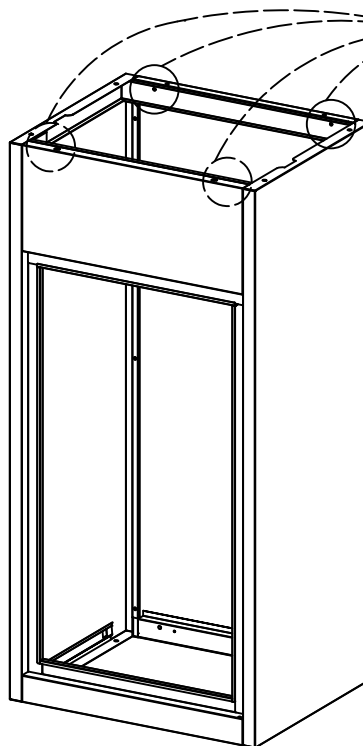
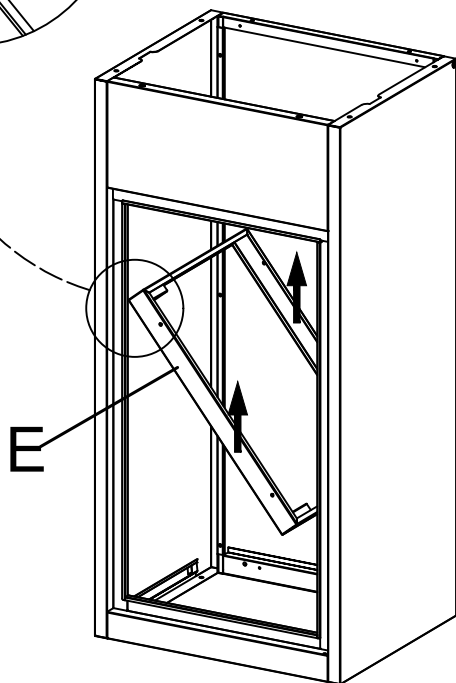
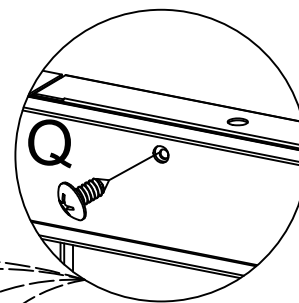
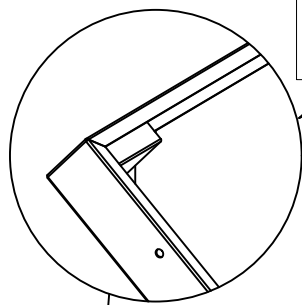
Place part G diagonally into the cabinet, push it outward until it reaches the end and then push it downward until the bottom edge of part G snaps completely into the notched edges of the two side panels, and then fasten it with 4 screws.



step5

Place part E diagonally into the cabinet, then push toward the top until the holes in part E line up with the holes around the top of the cabinet.

The side of Part E with the cubes is located on the front side of the cabinet; Be careful not to install part E in the wrong direction: When Part E is properly installed, the holes in Part E should be on the upper edge of the side on which they are located.

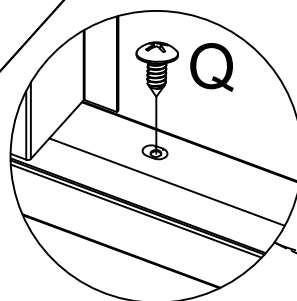
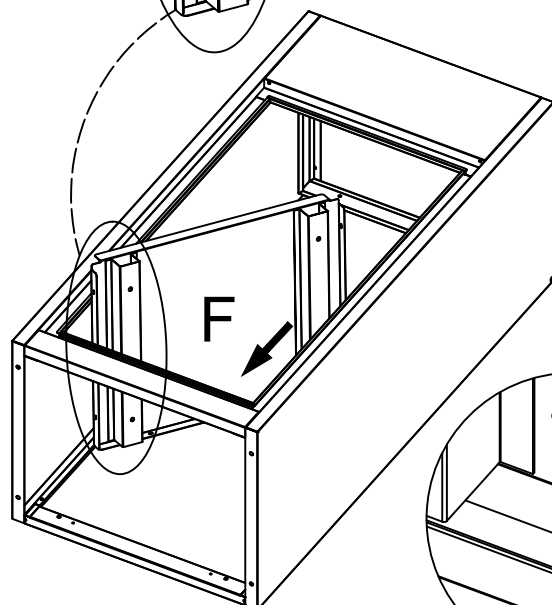
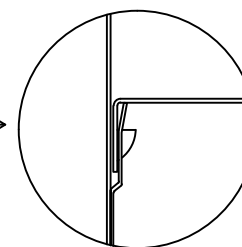
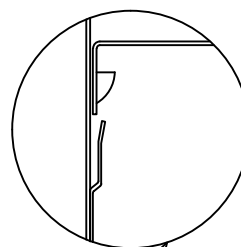
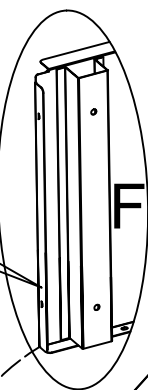


Q×4

step6

Place the base plate (part F) diagonally into the cabinet, then push it down so that it snaps into the narrow slits on the left and right side panels, then secure it with 2 screws.

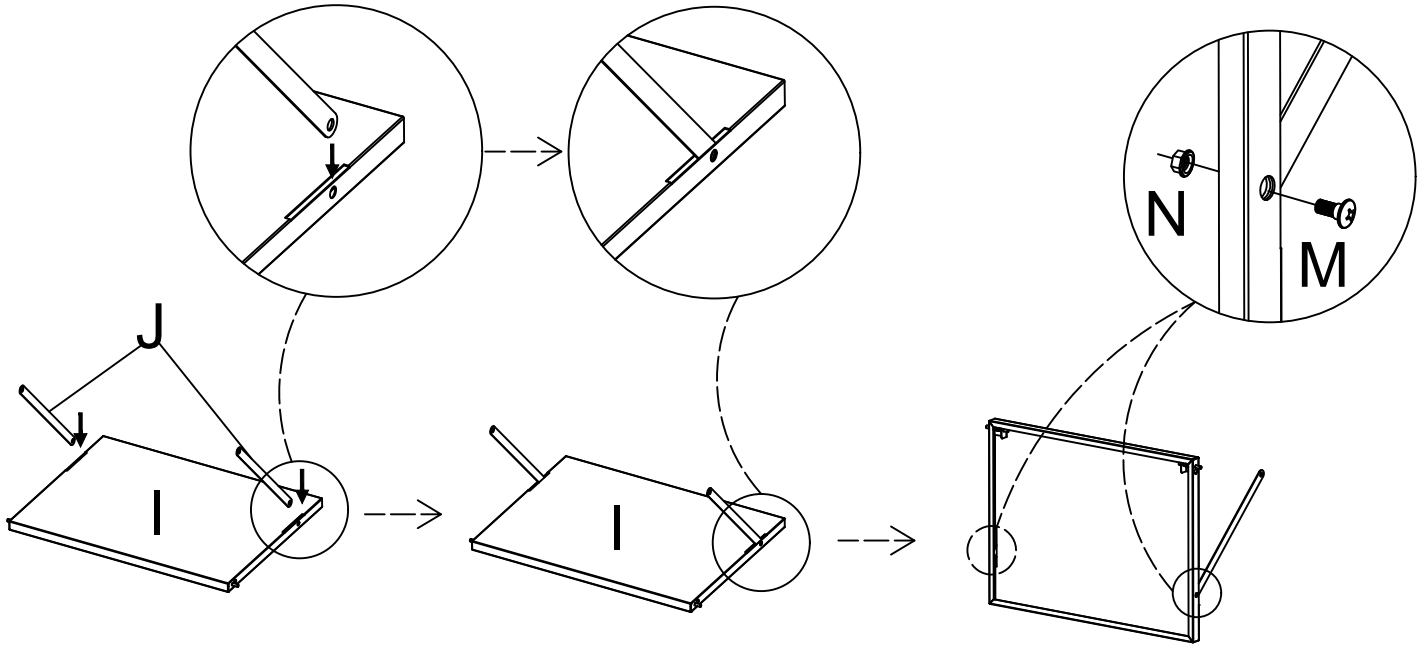
Note: The side with the protruding prongs faces the direction of the floor.



Q×2

step7

Place the two parts J into the slits on each side of the part I, and then secure them with two bolts and two nuts.

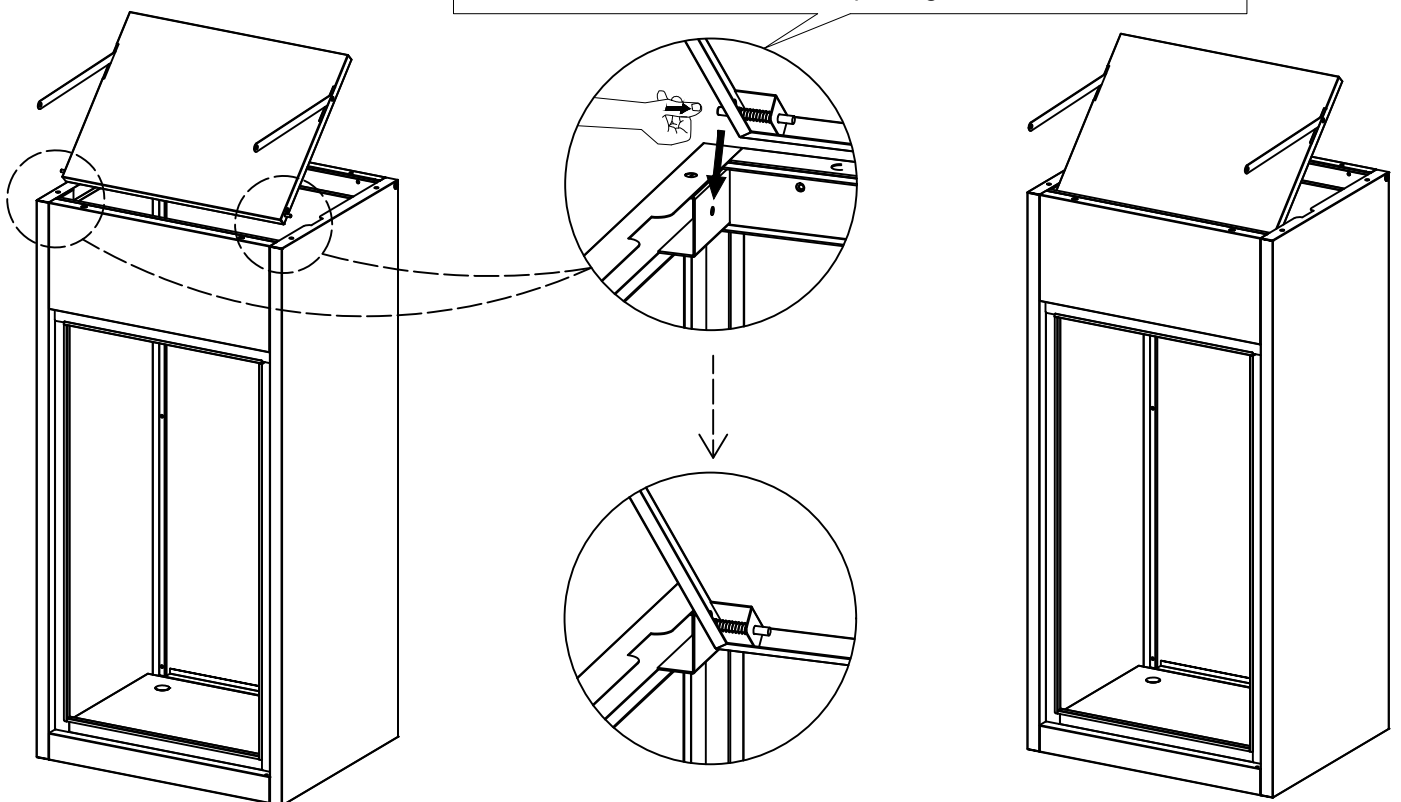


 M×2  N×2

step8

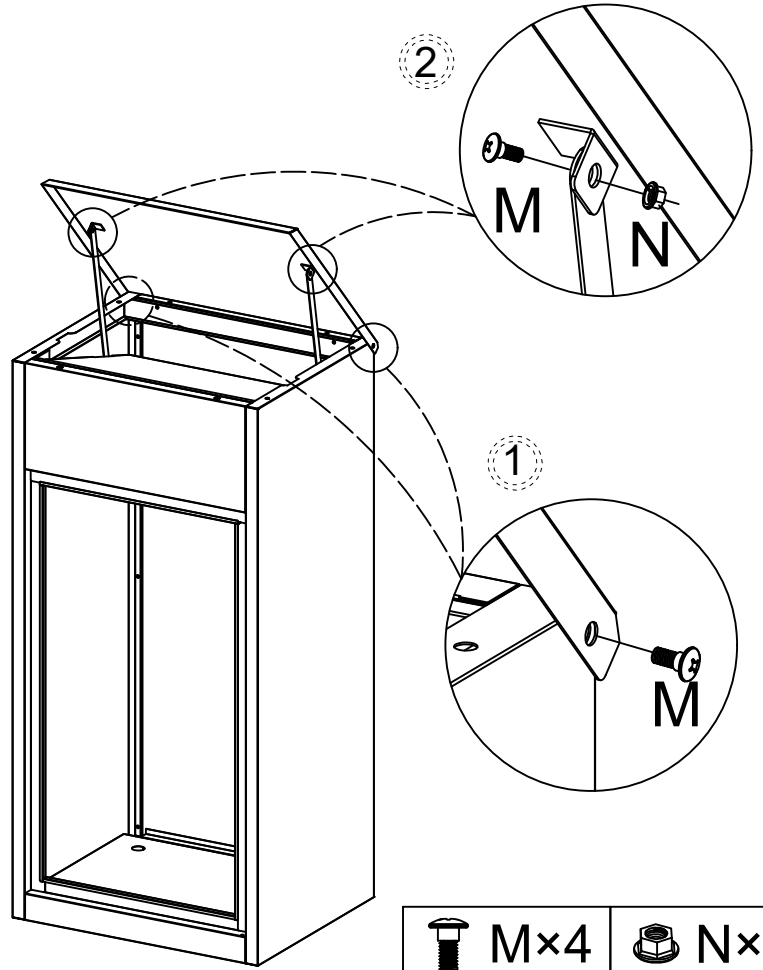
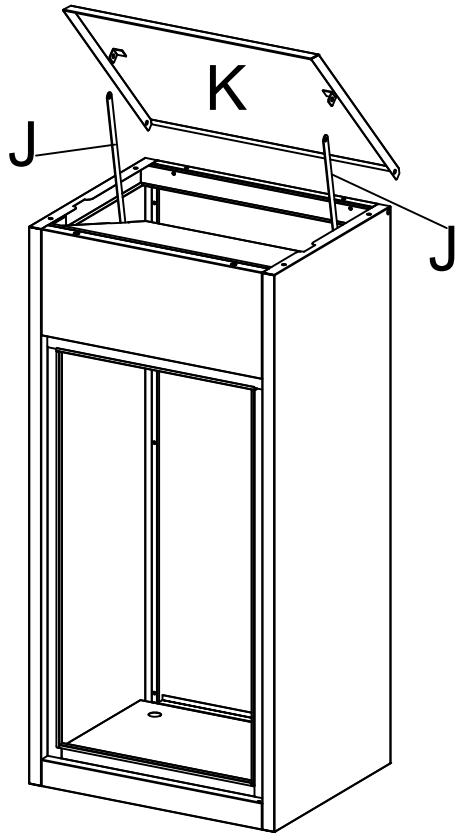
Place the assembled unit (part I and part J) into the cabinet and press the spring shafts on both sides of its front end to make them go into the holes on both sides of the top of the cabinet.

If the spring screw is missing from the door, you can find the screw O in the hardware package to install it.



step9

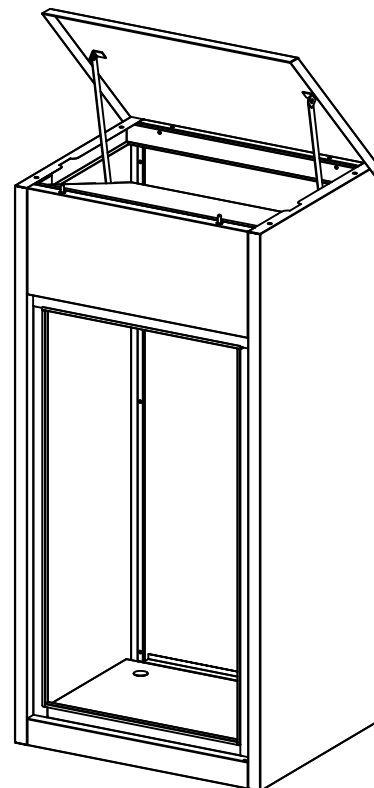
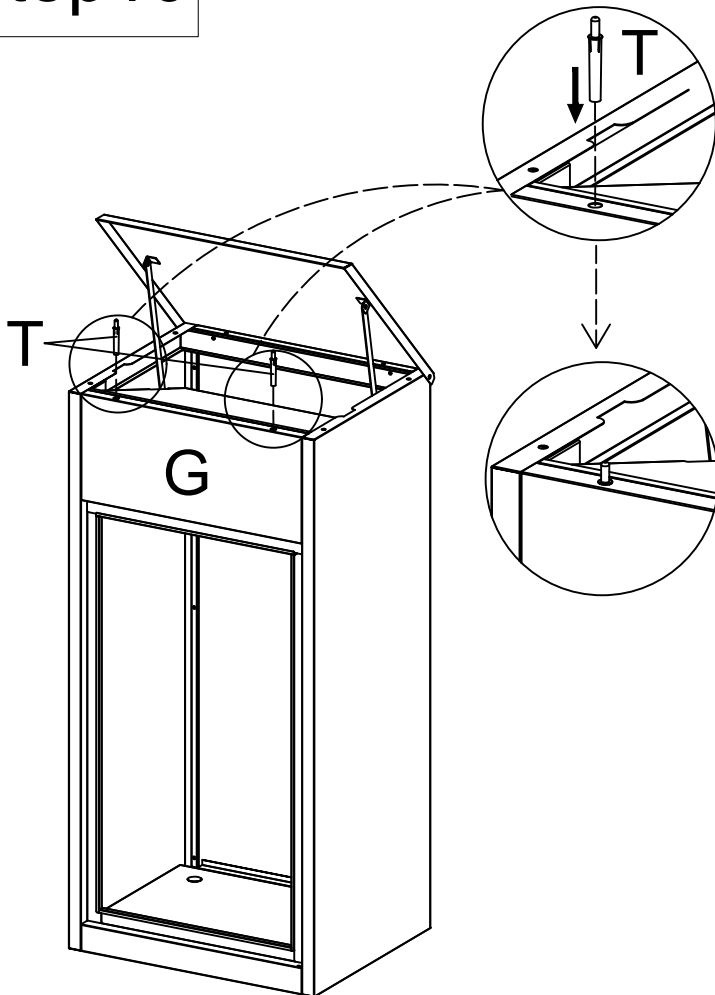
Use 2 screws to secure part K to the left and right side panels, and then use 2 bolts and 2 nuts to connect part K to the 2 parts J.




 M×4  N×2

step10

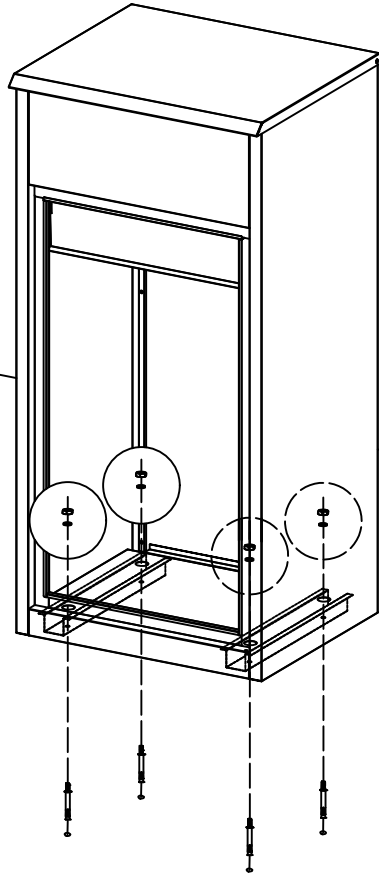
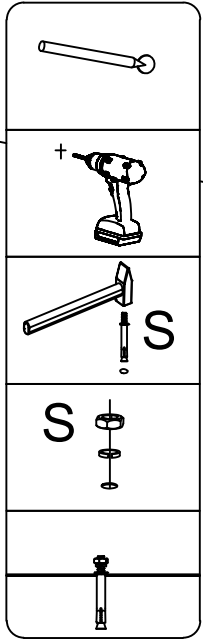
Put part T in the hole located in part G.



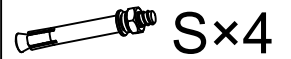
 T×2

step 11

The cabinet can be fixed to the floor as needed.



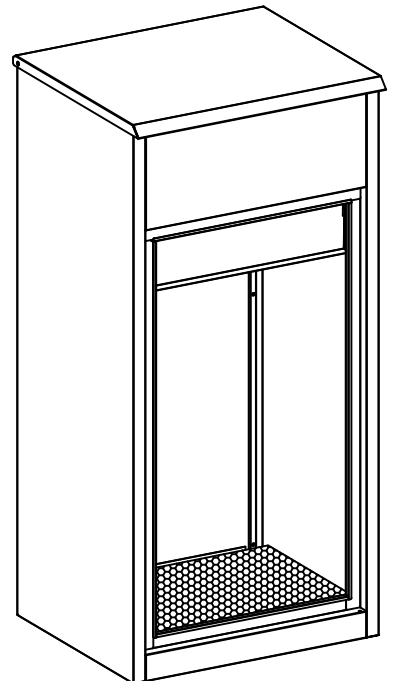
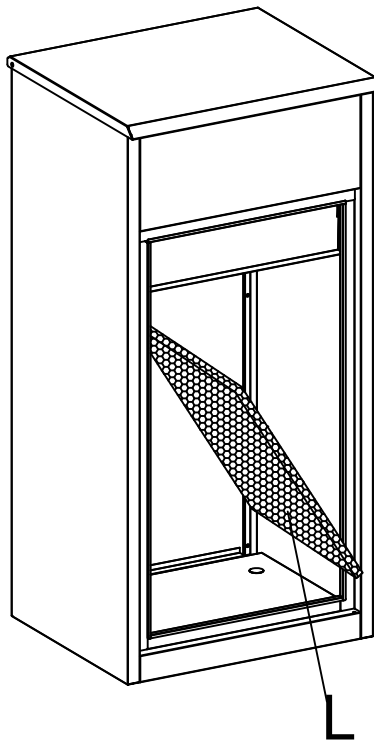
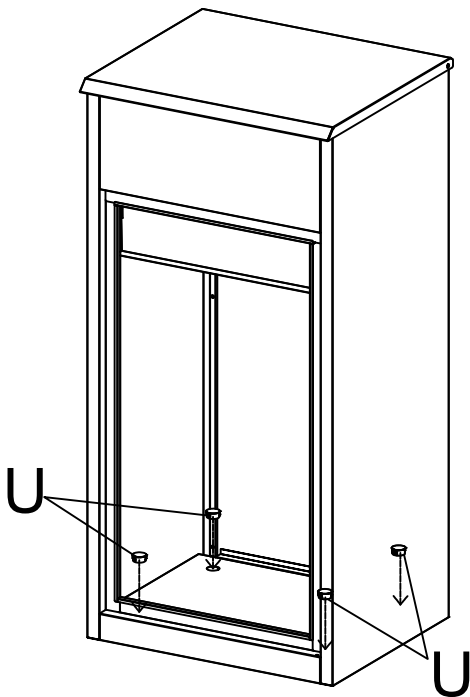
floor



step 12

Tuck the four plastic covers (part U) into the four holes in the floor.

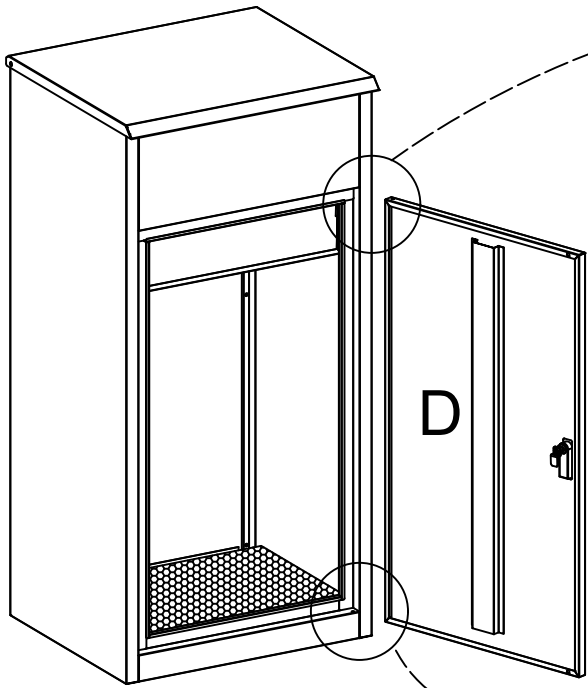
Lay the mat (part L) flat on the bottom panel to avoid damage caused by falling items.



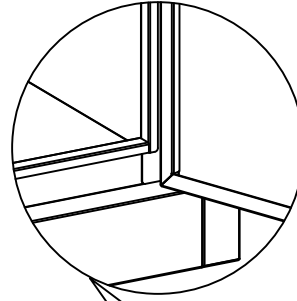
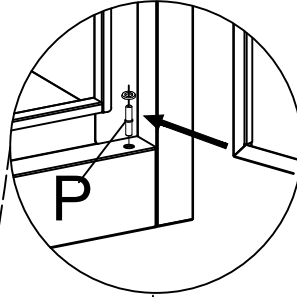
step13

2

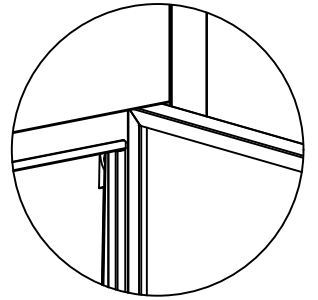
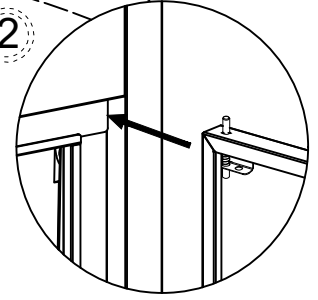
If the spring screw is missing from the door, you can find the screw O in the hardware package to install it.



1



2



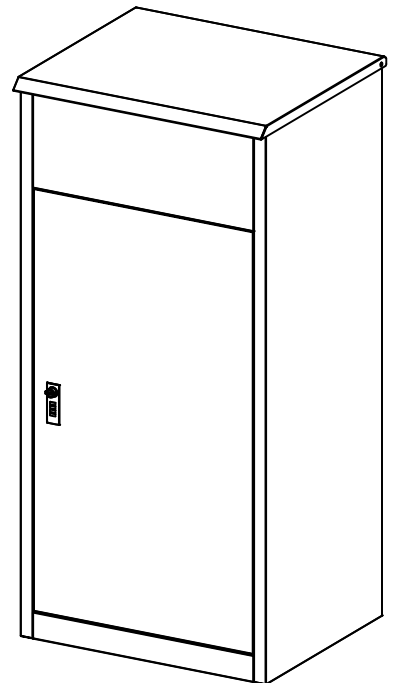
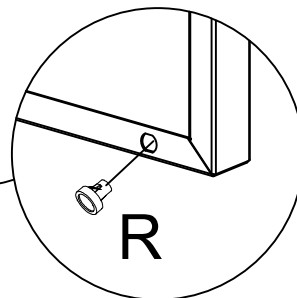
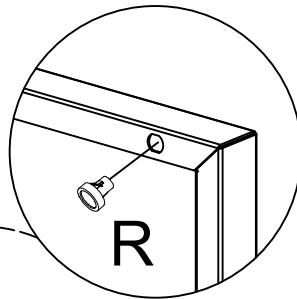
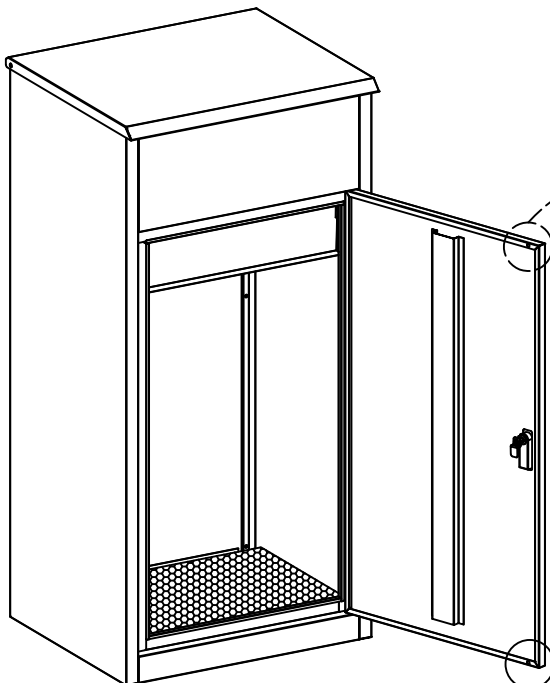
1

Install the door by first installing the door pin P, then by pressing the spring shafts on the top of the door.

 P×1

step14

Install the two parts R in the corresponding holes in the door panel.



 R×2