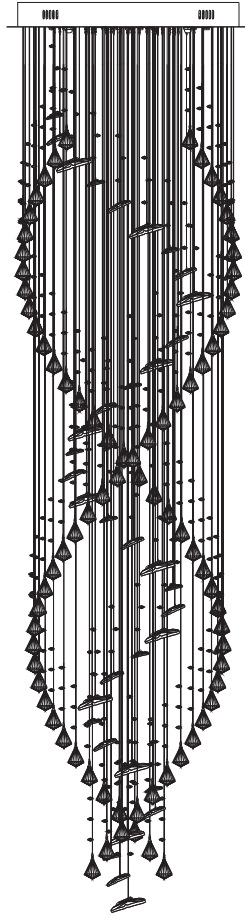


INSTALLATION MANUAL

CHANDELIER

Model No.: HLL451C-10A



Installation Video Applicable

Safety Rules

WARNING: BE SURE THE ELECTRICITY TO THE WIRES YOU ARE WORKING ON IS SHUT OFF; EITHER THE FUSE IS REMOVED OR THE CIRCUIT BREAKER IS TURNED OFF. TURNING THE POWER OFF USING THE LIGHT SWITCH IS NOT SUFFICIENT TO PREVENT ELECTRICAL SHOCK.

NOTE: The important safeguards and instructions appearing in this manual are not meant to cover all possible conditions or situations that may occur. It must be understood that common sense, caution, and care, are factors which cannot be built into any product. These factors must be supplied by the person(s) installing this unit.

READ & SAVE THESE INSTRUCTIONS

CAUTION: Before assembling the lighting fixture, refer to the section titled Wiring Connections. If you feel you do not have enough electrical wiring experience, either refer to a do-it-yourself wiring handbook or have your lighting fixture installed by a qualified, licensed electrician.

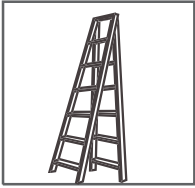
INSTALLATION & OPERATION INSTRUCTIONS GENERAL

Before starting the installation, disconnect the power by turning off the circuit breaker or by removing the appropriate fuse at the fuse box. Turning the power off using the light switch is not sufficient to prevent electrical shock.

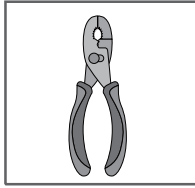
All electrical connections must be in accordance with local and National Electrical Code (NEC) standards. If you are unfamiliar with proper electrical wiring connections, obtain the services of a qualified electrician.

Installation Preparation

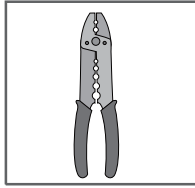
Tools You Need



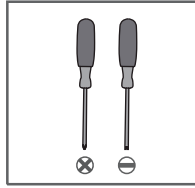
Ladder



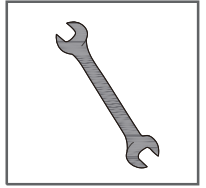
Pliers



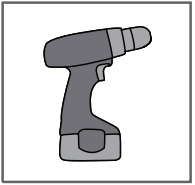
Wire Strippers



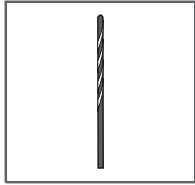
Screwdrivers



Wrench



Power Drill
(optional)

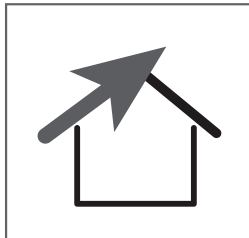


Drill Bit
(optional)

What to Expect with your Installation

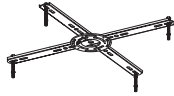


Check the box to see the weight of the light

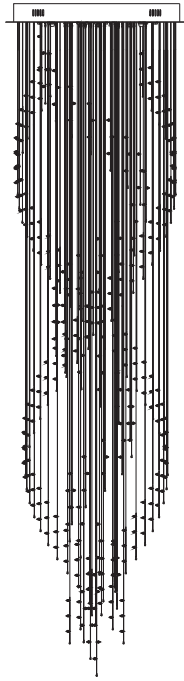


Angled ceiling applicable

Packing List













— A Mounting Bracket x 1



— B Lamp Body x 1

Installation Kit

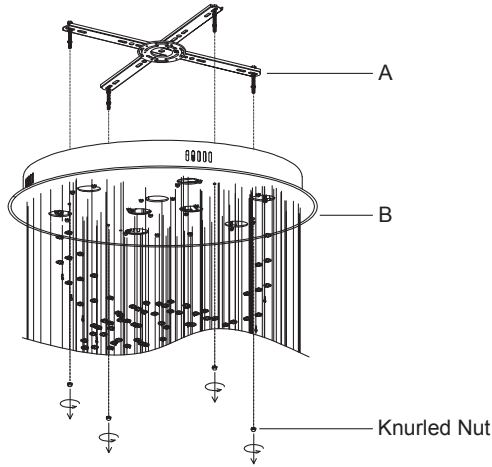
AA	2x	BB	3x	CC	4x	DD	4x	EE	4x
									
Outlet Box Screw		Wire Nut		Washer		Wood Screw		Anchor Bolt	
FF	82x	GG	12x	HH	12x	II	12x	JJ	1x
									
Crystal Drop		Small Butterfly		Medium Butterfly		Large Butterfly		Gloves	

NOTE: The listed quantity is for installation, extra hardware may be included.

Installation Instructions

1. Remove the Mounting Bracket

Loosen the knurled nut from the lamp body (B), and take out the mounting bracket (A).

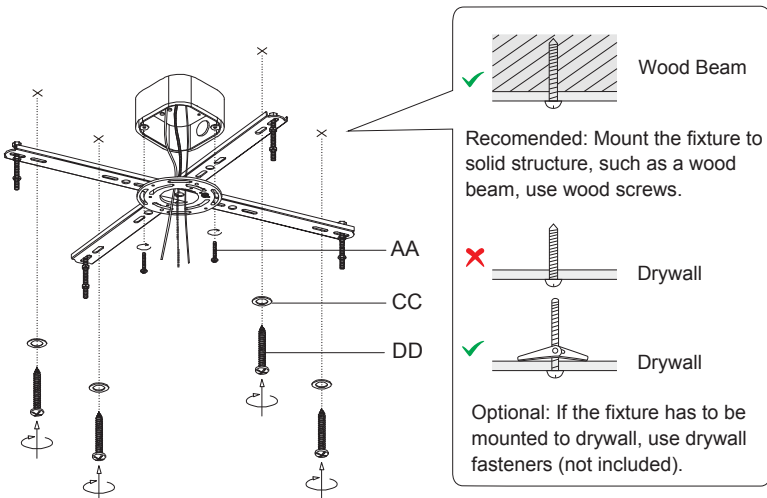


2. Mount the Bracket (3 options)

Option 1. (For Outlet Box)

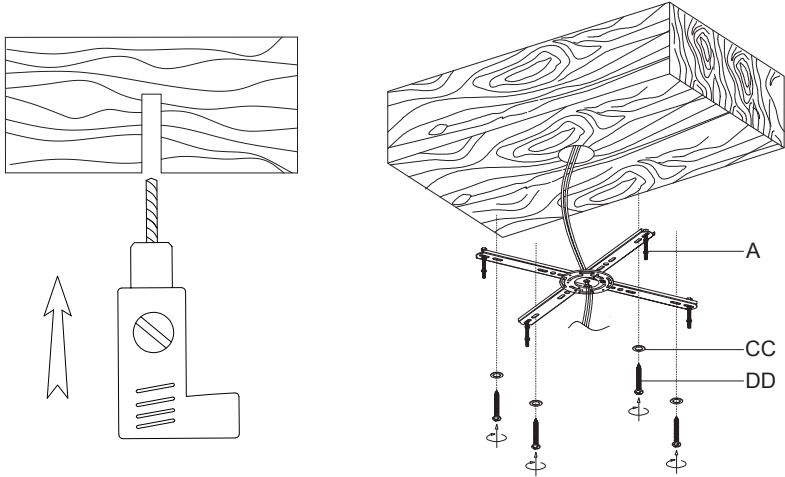
Step 1: Secure the mounting bracket (A) to the outlet box with screws taken off from outlet box or screws (AA) provided.

Step 2: Secure the ends of the bracket on the ceiling with washer (CC) and wood screw (DD).



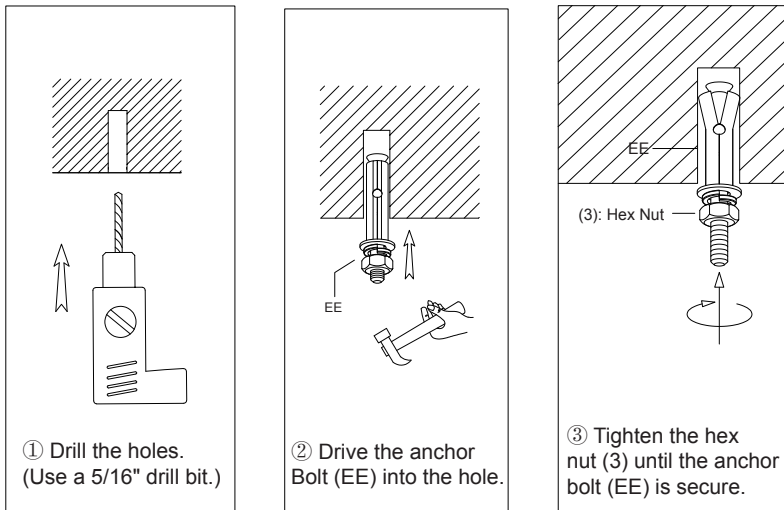
Option 2. (For Wood Structure)

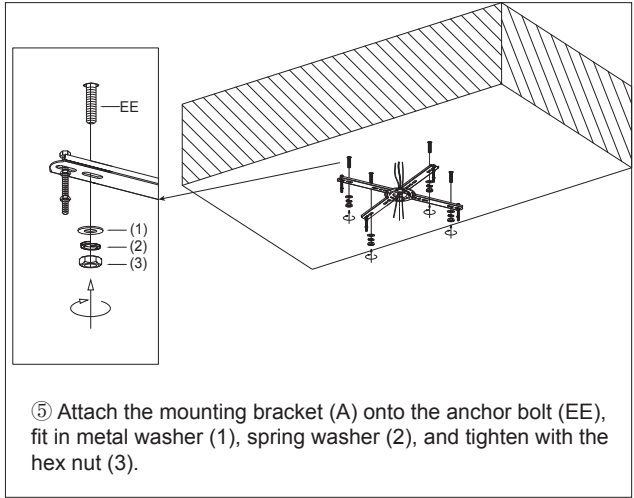
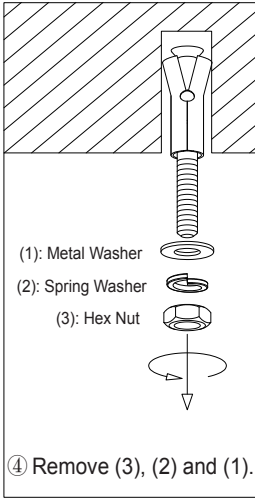
Mark and drill the screw holes (Use a 1/8" drill bit) on the solid wood structure. Mount the mounting bracket with washers (CC) and wood screws (DD).



Option 3.(For Concrete Structure)

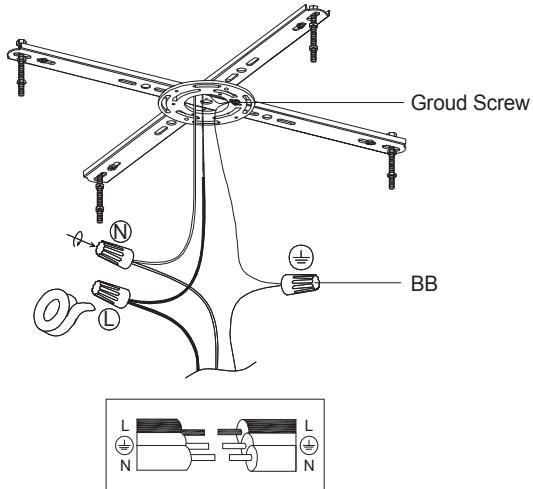
Mount the mounting bracket to the concrete structure with anchor bolt (EE).





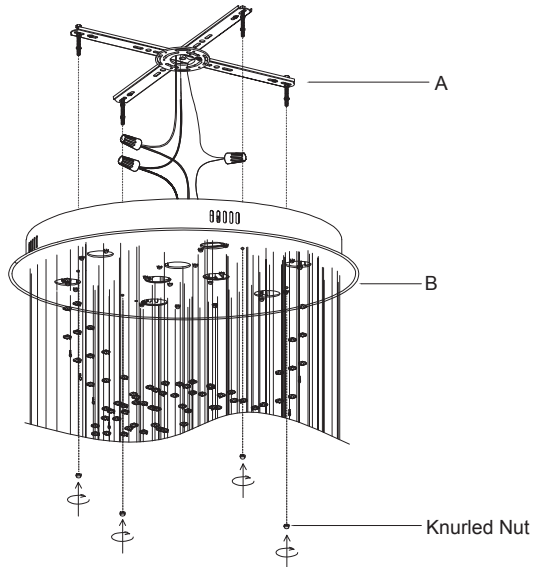
3. Connect the Wires

Connect the wires from the fixture to the house supply wires with wire nuts (BB), ground wire (green, green/ yellow, or bare copper) to ground wire, neutral wire (white) to neutral wire, and hot wire (black) to hot wire. Wrap the connection with electrical tape.



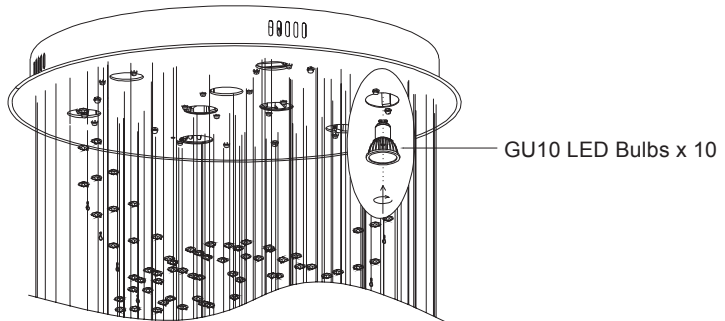
4. Fix the Lamp Body

Fix the lamp body (B) onto the mounting bracket (A) with knurled nuts taken off.



5. Install the Bulbs

Install Bulbs (GU10 LED bulbs x 10, Max 10W each, not included).



Note:

To achieve dimming functionality, you need to use dimmable bulbs and a dimmer switch.

For bulbs with color temperature control, repeatedly switch “on” and “off” using the wall switch to change settings.

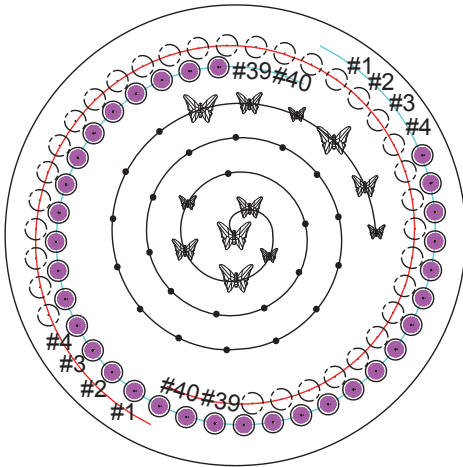
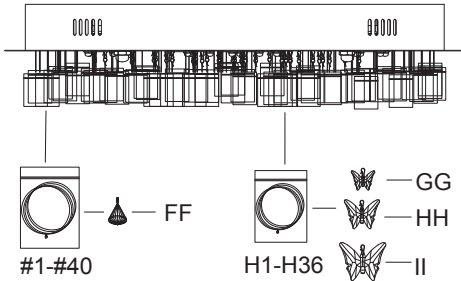
6. Hang the Crystals

Refer to the 'crystal installation diagram' to hang the crystals.

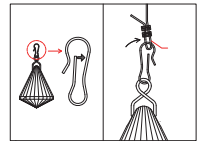
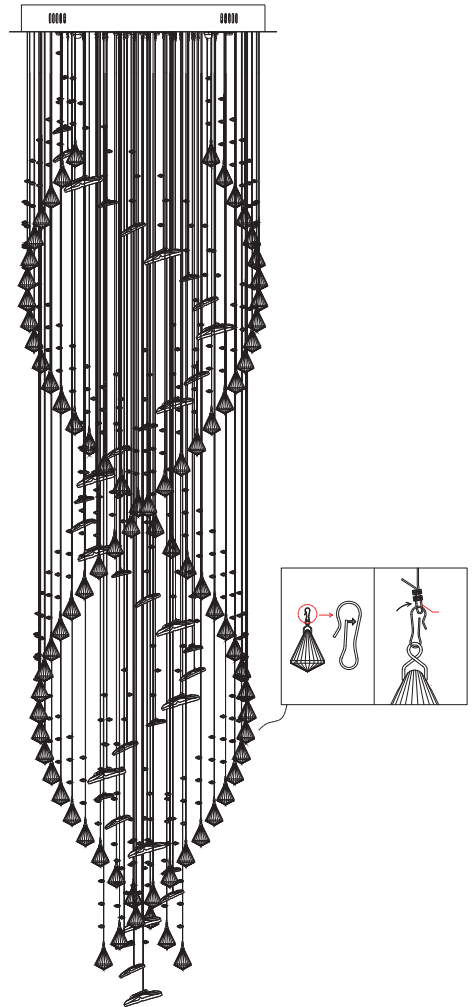
Step 1: Hang the butterfly pendants on the inner ring in the order of II, HH, and GG, arranged from inside to outside following the sequence from H36 to H1.

Step 2: Hang the crystal drops (FF) on the hanging wires numbered #1 to #40.

Note: To avoid tangled hanging wires, hang the butterfly pendants (H) before the crystal drops (#).



Crystal Installation Diagram



Trouble Shooting

1. Missing / Broken Parts

- Make a list of the missing/broken parts according to the packing list, take photos for broken parts, then email us for free replacements.

2. Bulbs Do Not Light Up

- Check your power and switch to make sure it's power on.
- For regular bulbs, make sure it is connected to the ON/OFF wall switch, not the dimmer switch.
- Replace the bulb with a new one.

3. Bulbs Flicker

- If it is a dimmer switch, use a dimmable bulb.
- Replace the bulb with a new one.

4. Could Not Install / Assemble

- Take photos of the ceiling / fixture, contact seller for technical support.

Clean And Care

To clean, wipe fixture with soft cloth. Spray from chemical cleaners can discolor the finish of fixture. Do not use scouring pads, powders, steel wool or abrasive paper to clean this fixture.

Ordering Parts

Keep this manual for future reference, and in case replacement parts are needed. Available parts can be ordered from place of purchase. Use exact wording from diagrams when ordering parts.