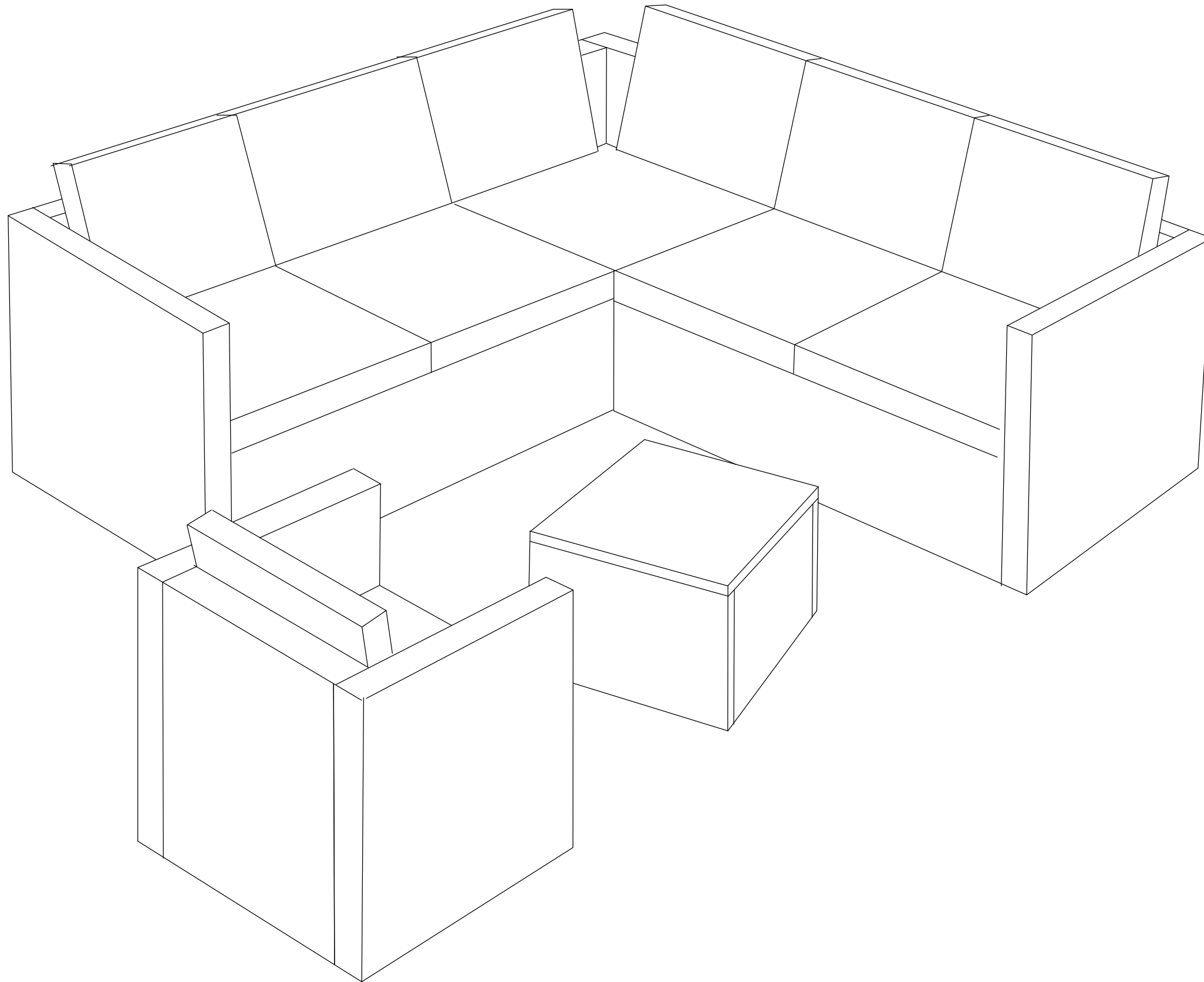


Installation Instruction



WF287893/WF287894/WF287895/WF287896

TIPS

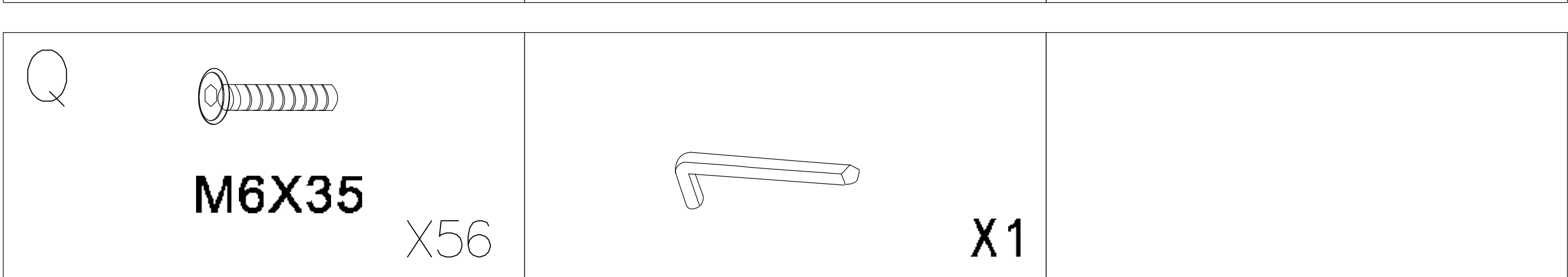
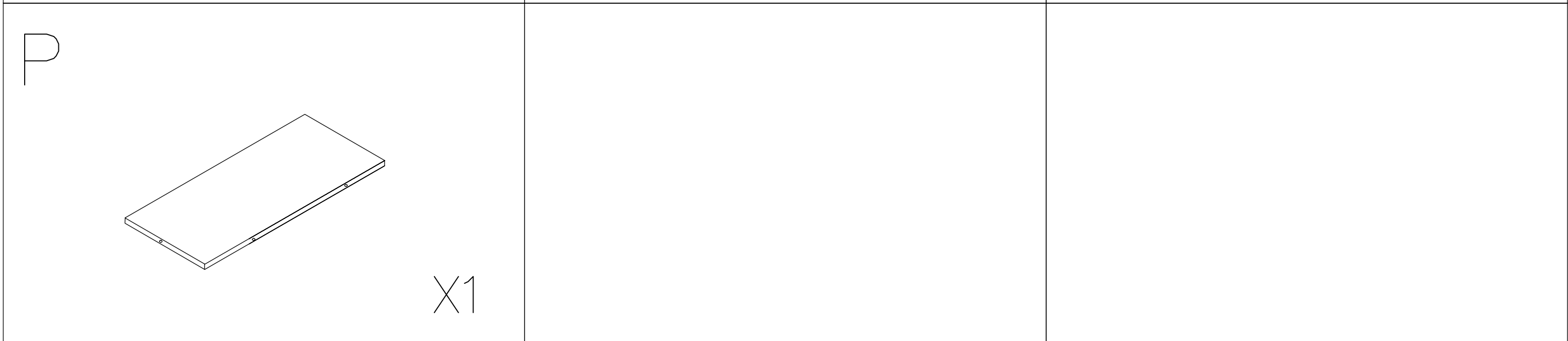
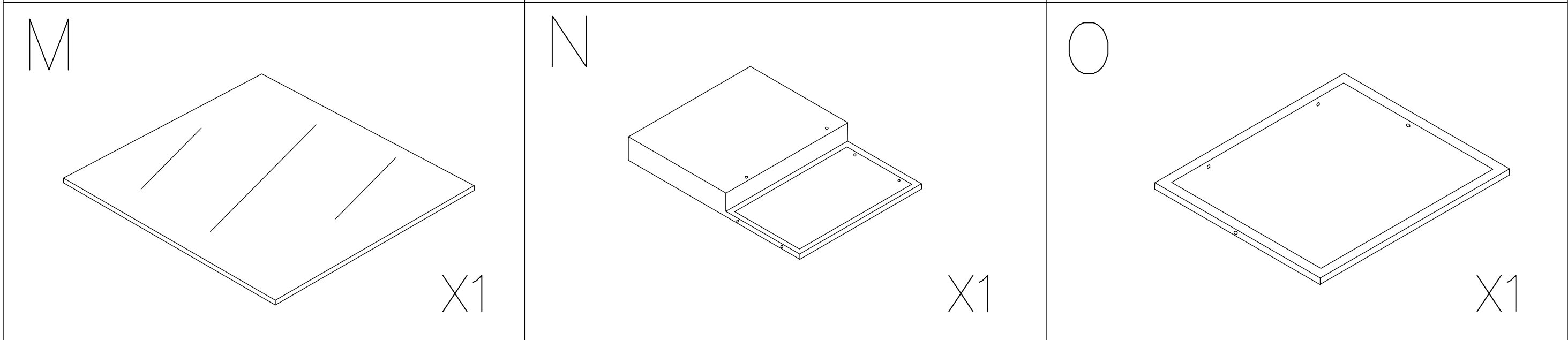
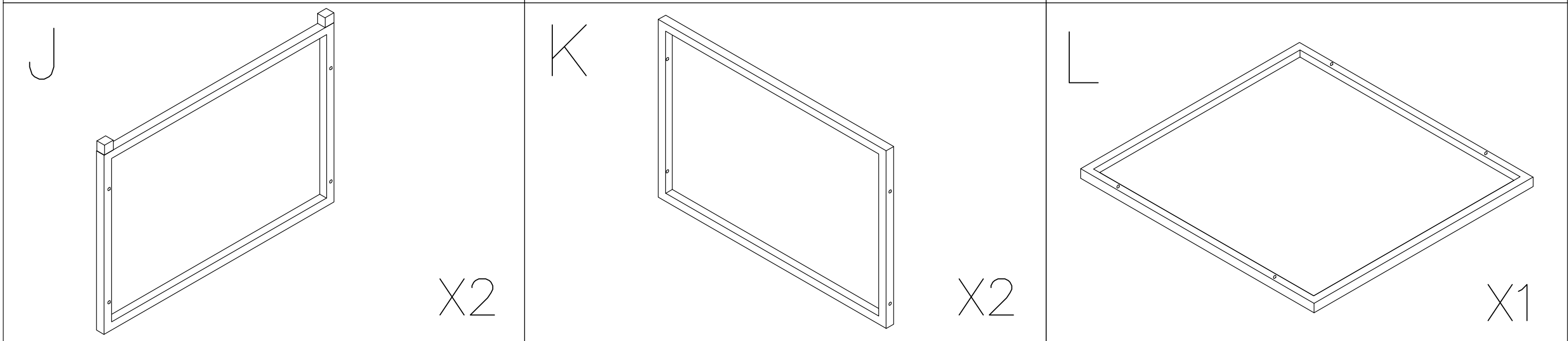
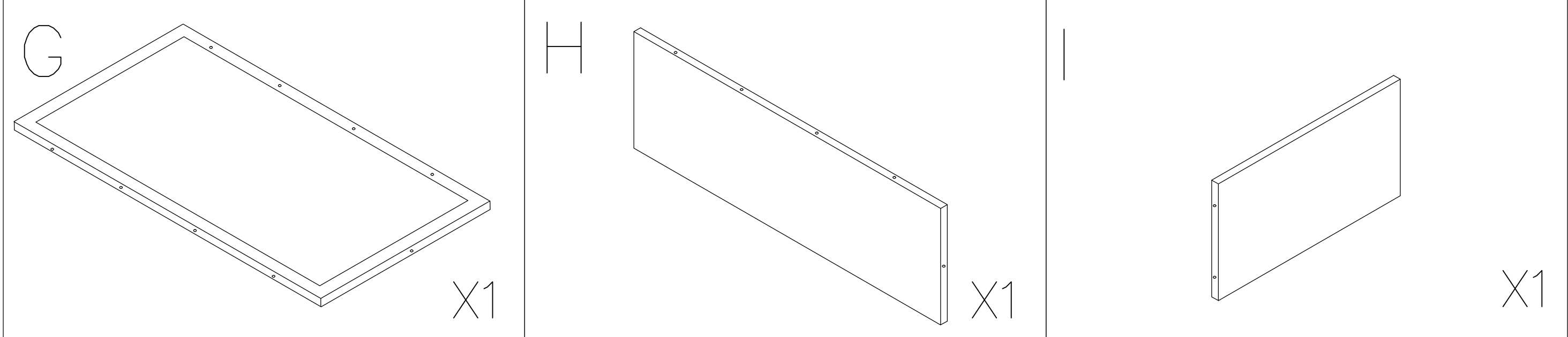
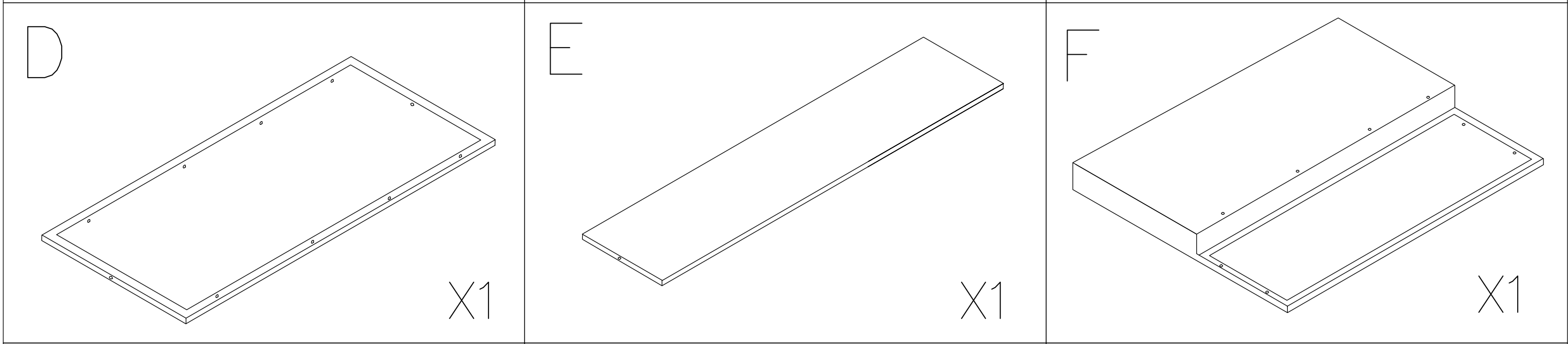
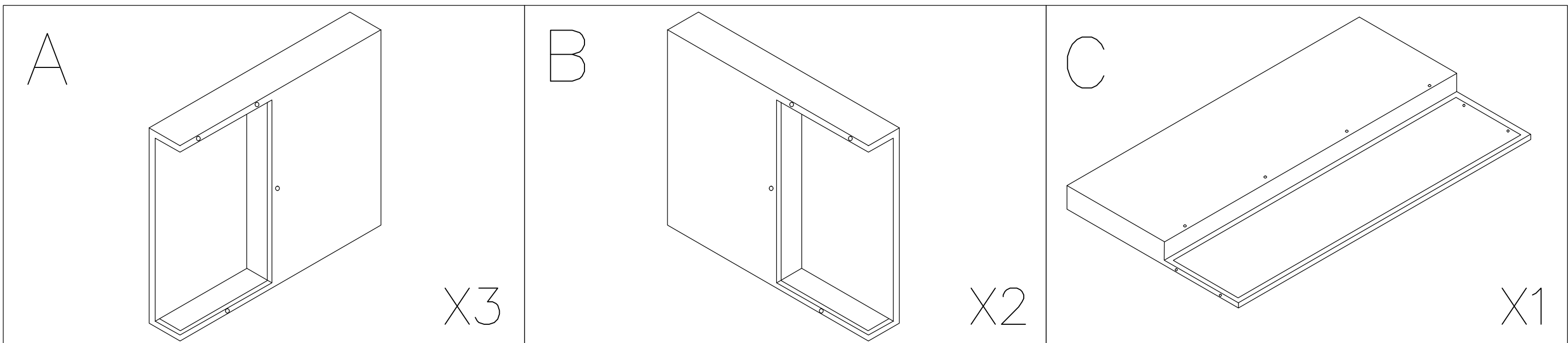
1. Your product will be delivered to you in 4 packages. Due to different courier companies, the delivery times of the 4 parcels will also differ.

Please be patient and thank you for your understanding and forgiveness.

2. Please read the instructions fully before assembly. These instructions include important information which could ensure correct assembly. We have been working on providing high quality products for you. However, in the rare instance that your product is defective, missing parts or there are some issues, please don't hesitate to contact our customer service to submit parts requirements, assembly suggestion, or warranty claims, and we will give the best solution as soon as possible. If necessary, we need you to provide some more clear pictures of the issue.

3. Insert the screws in holes and tighten the screws, but not too tight, 50% is ok, finally tighten all the screws. If some issues happened that some screws can not target to the hole or some parts are difficult to install, please adjust the tightness of the screws.

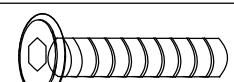
4. 2 people are recommended to finish



NOTE: 50% TIGHTEN BEFORE FIXING ALL BOLTS

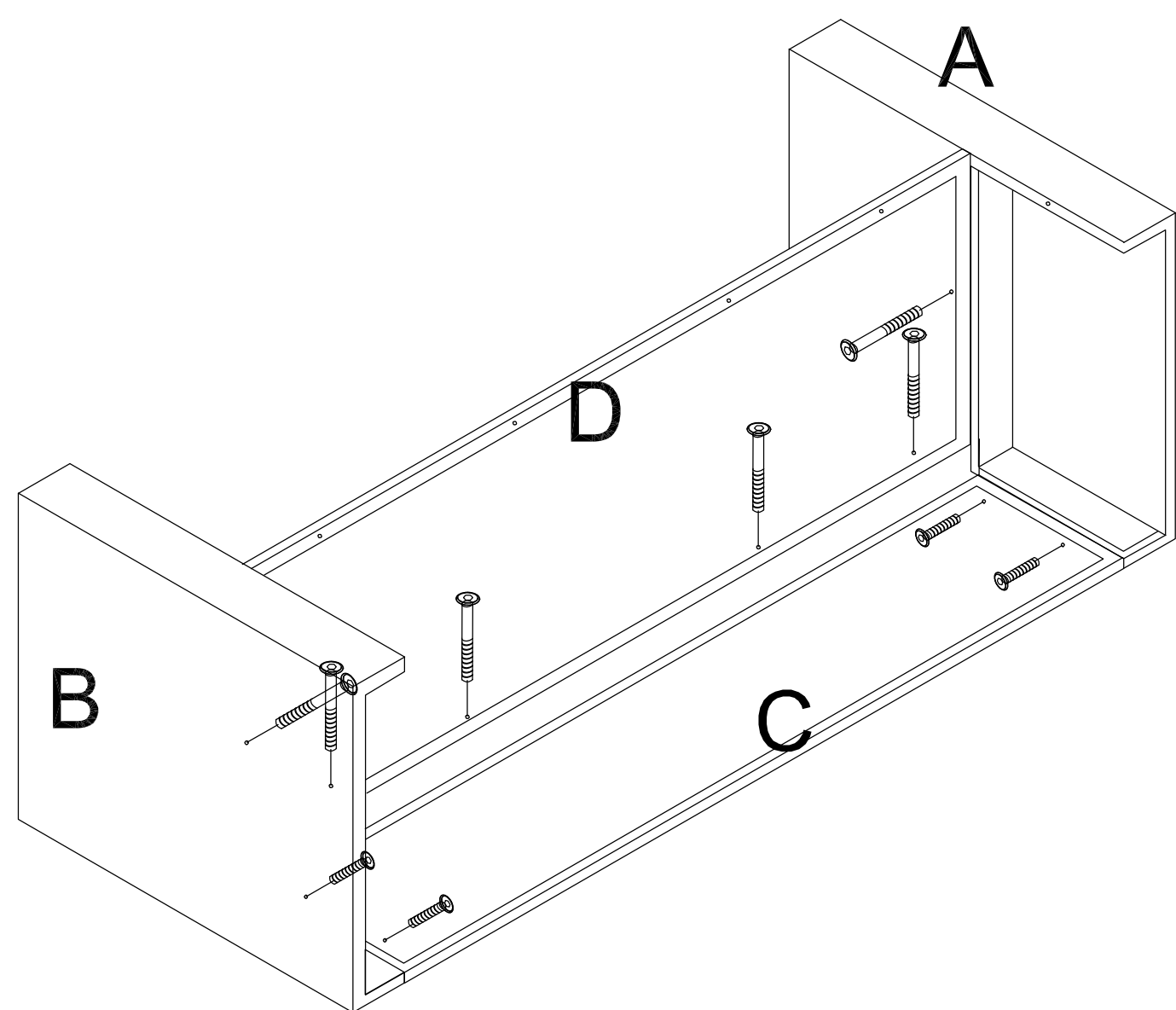
1

Q



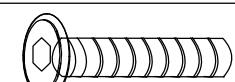
M6X35

x10



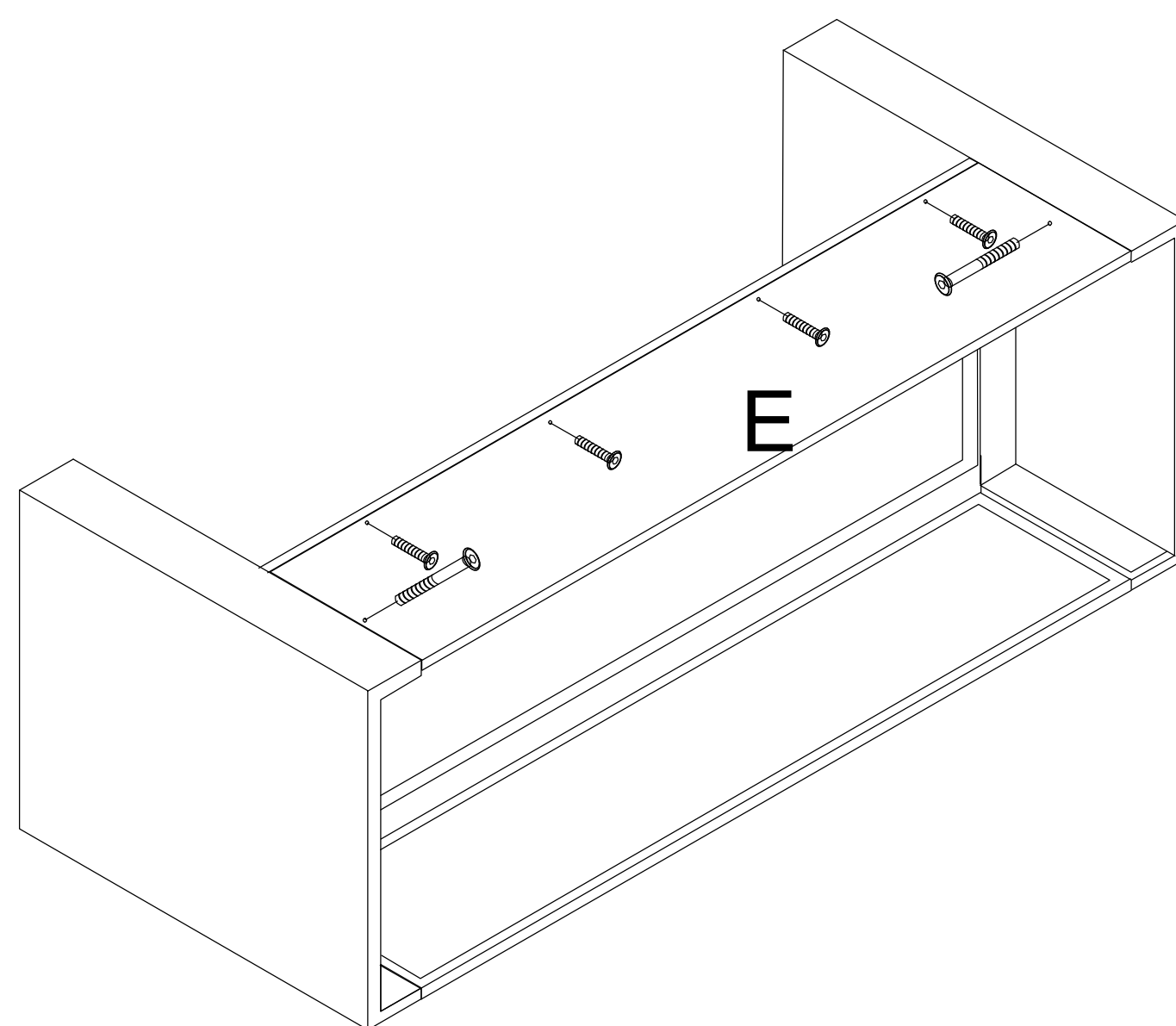
2

Q



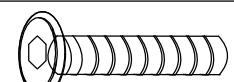
M6X35

x6



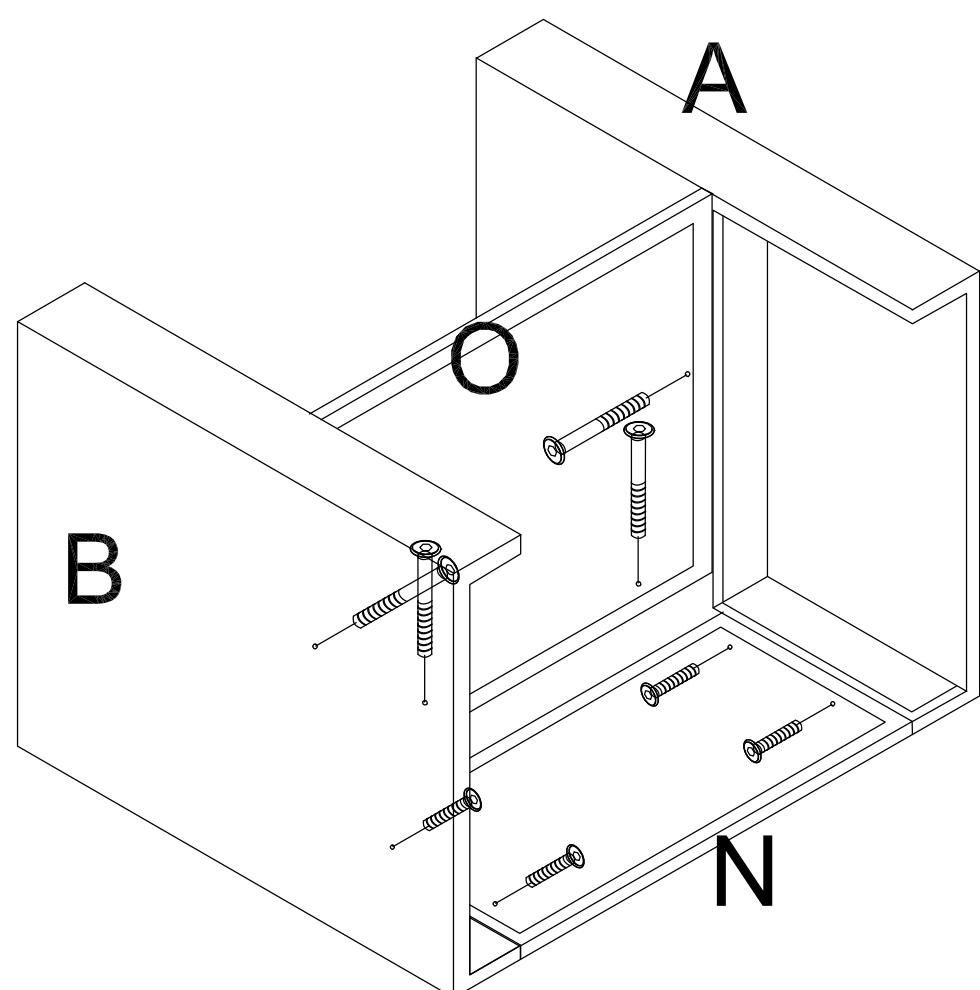
3

Q



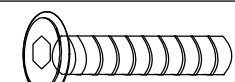
M6X35

x8



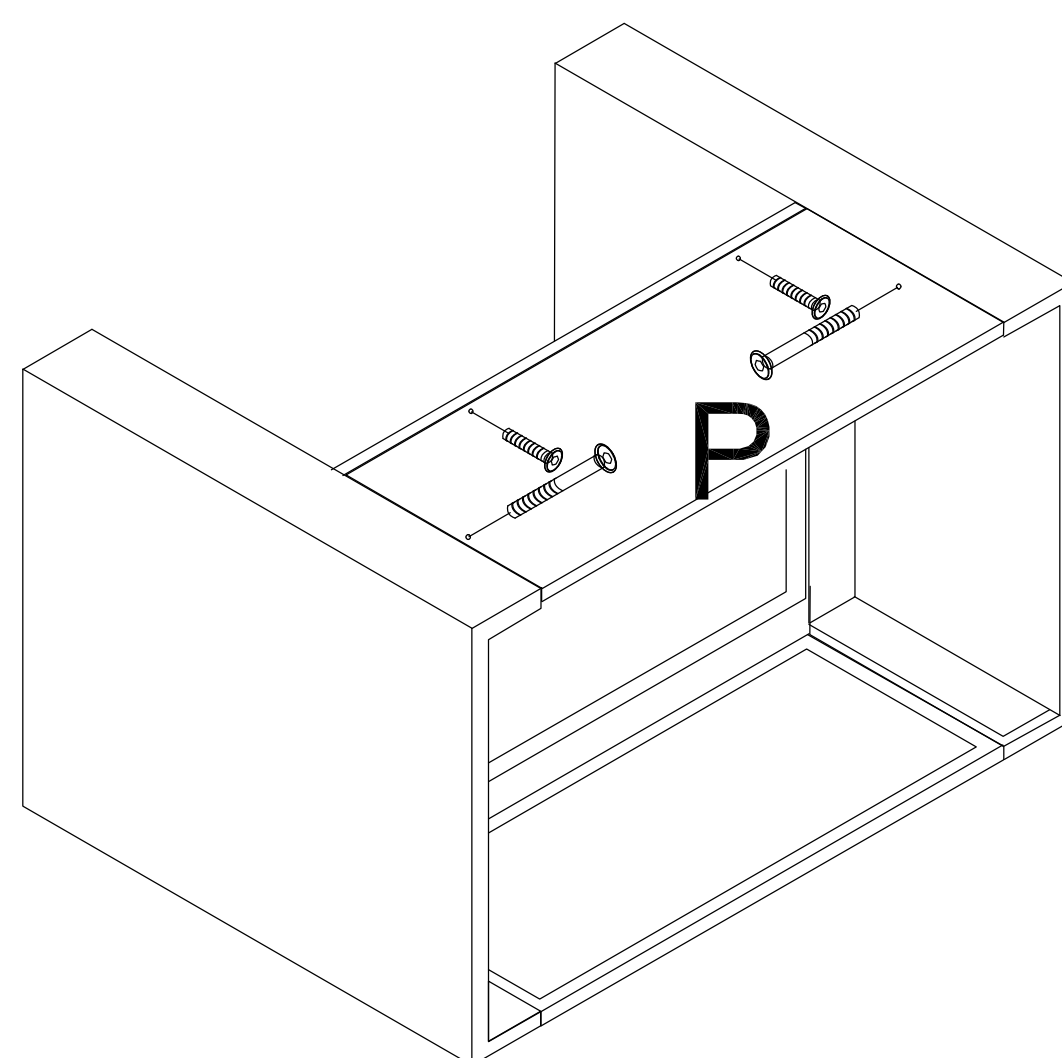
4

Q



M6X35

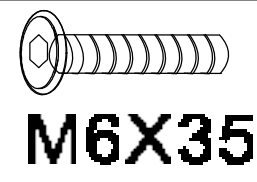
x4



NOTE :50% TIGHTEN BEFORE FIXING ALL BOLTS

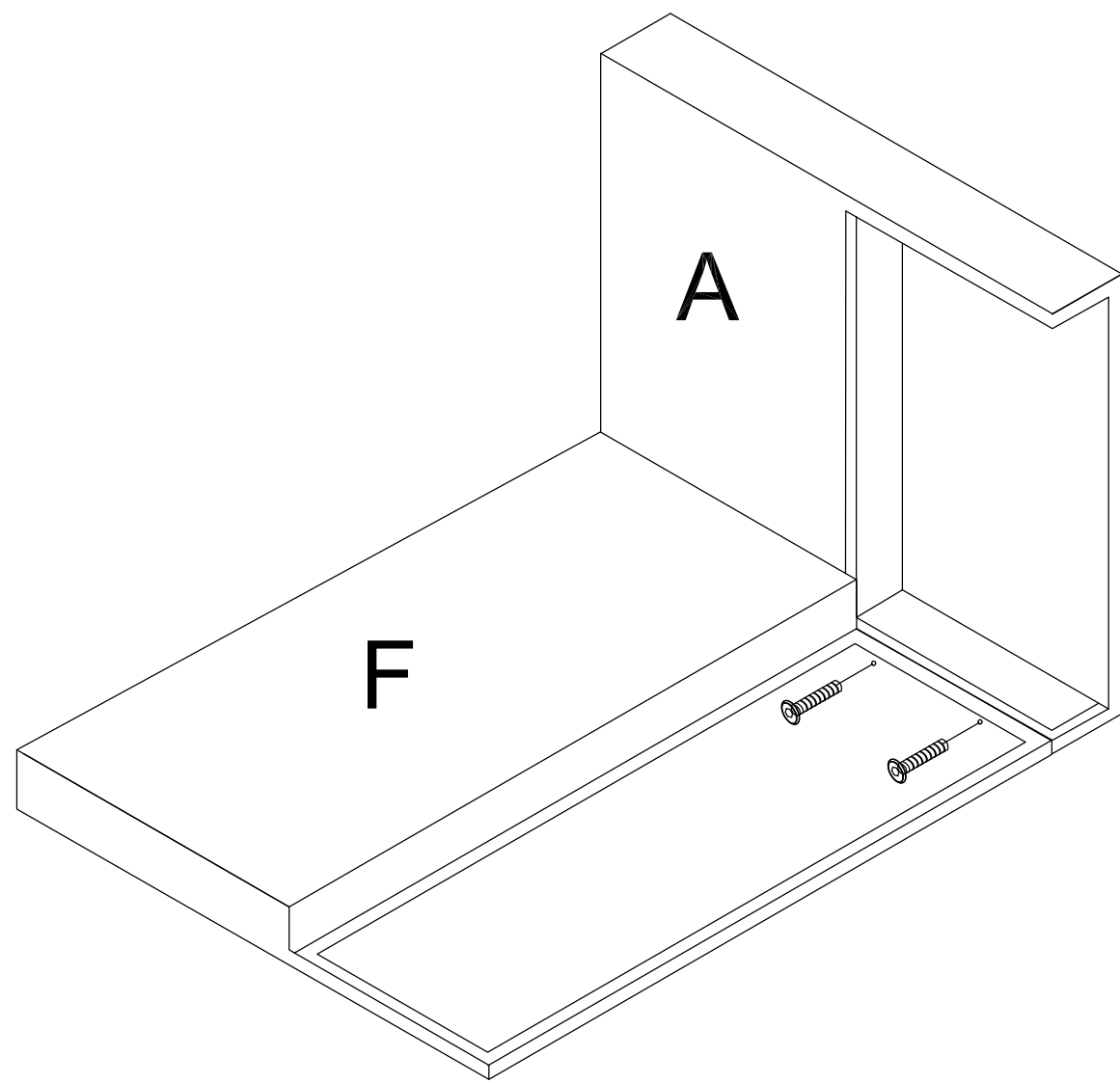
5

Q



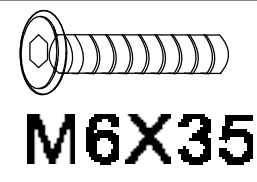
M6X35

x2



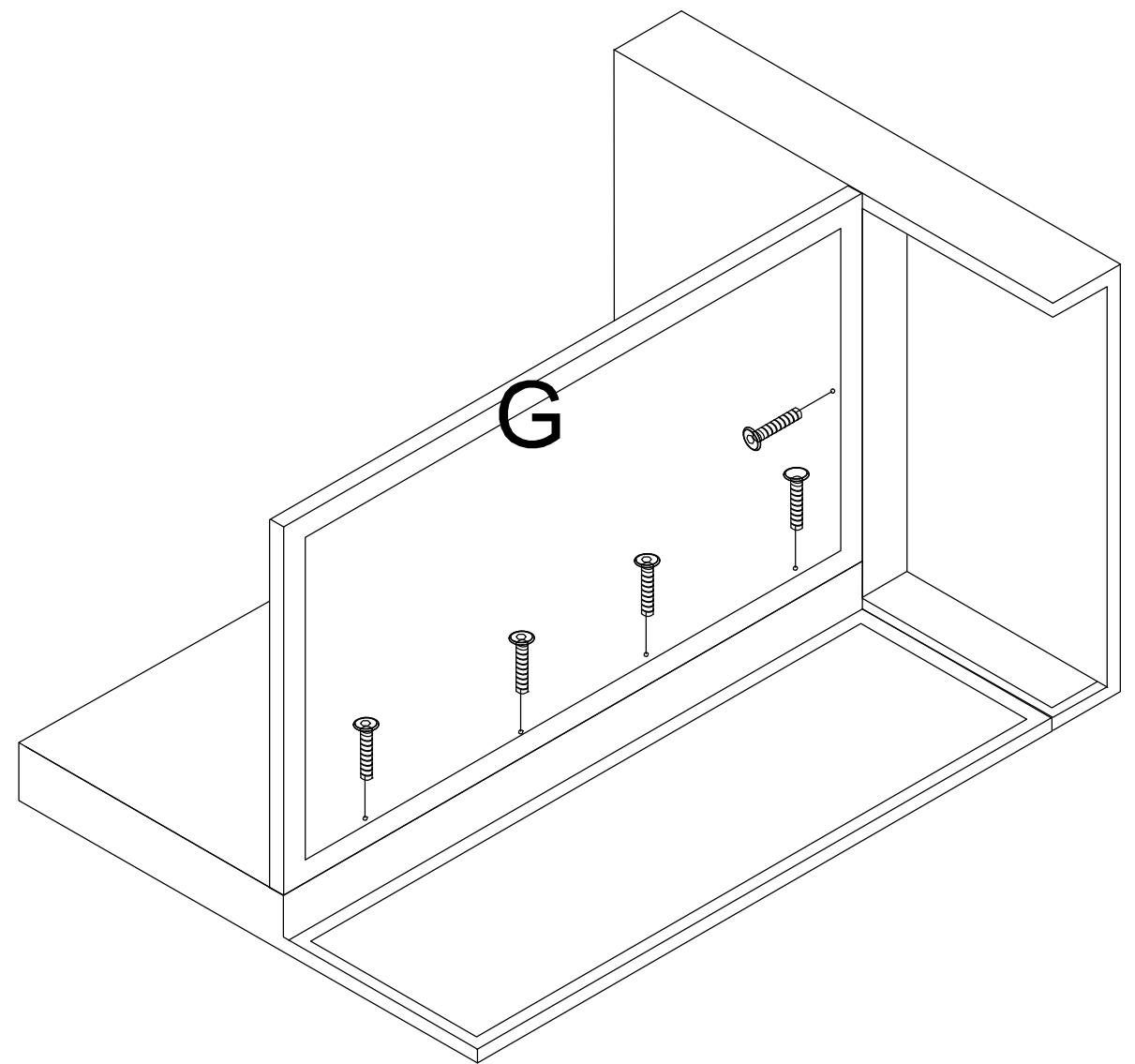
6

Q



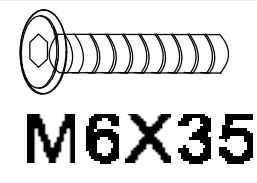
M6X35

x5



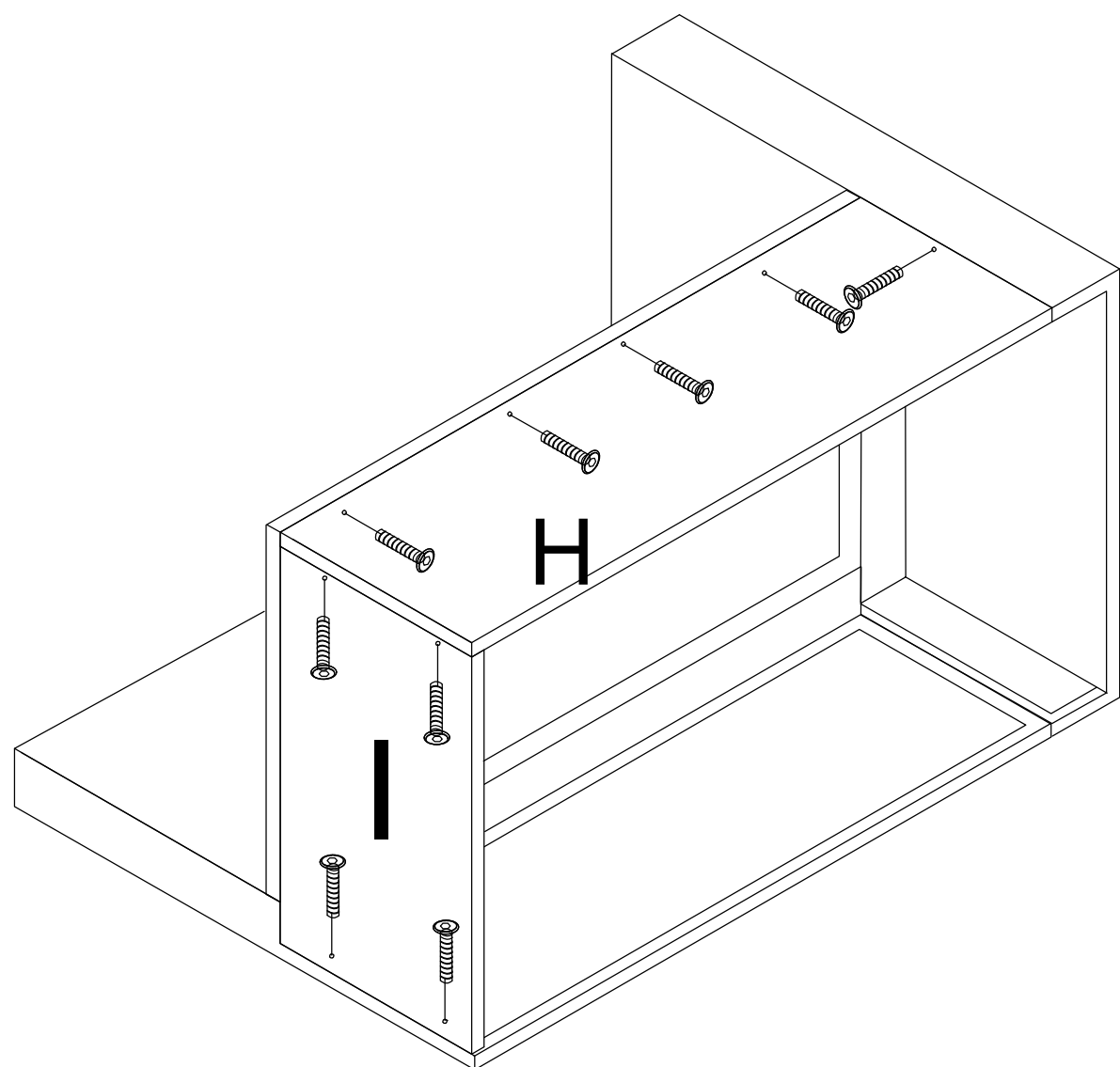
7

Q



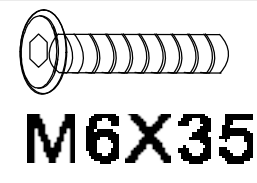
M6X35

x9



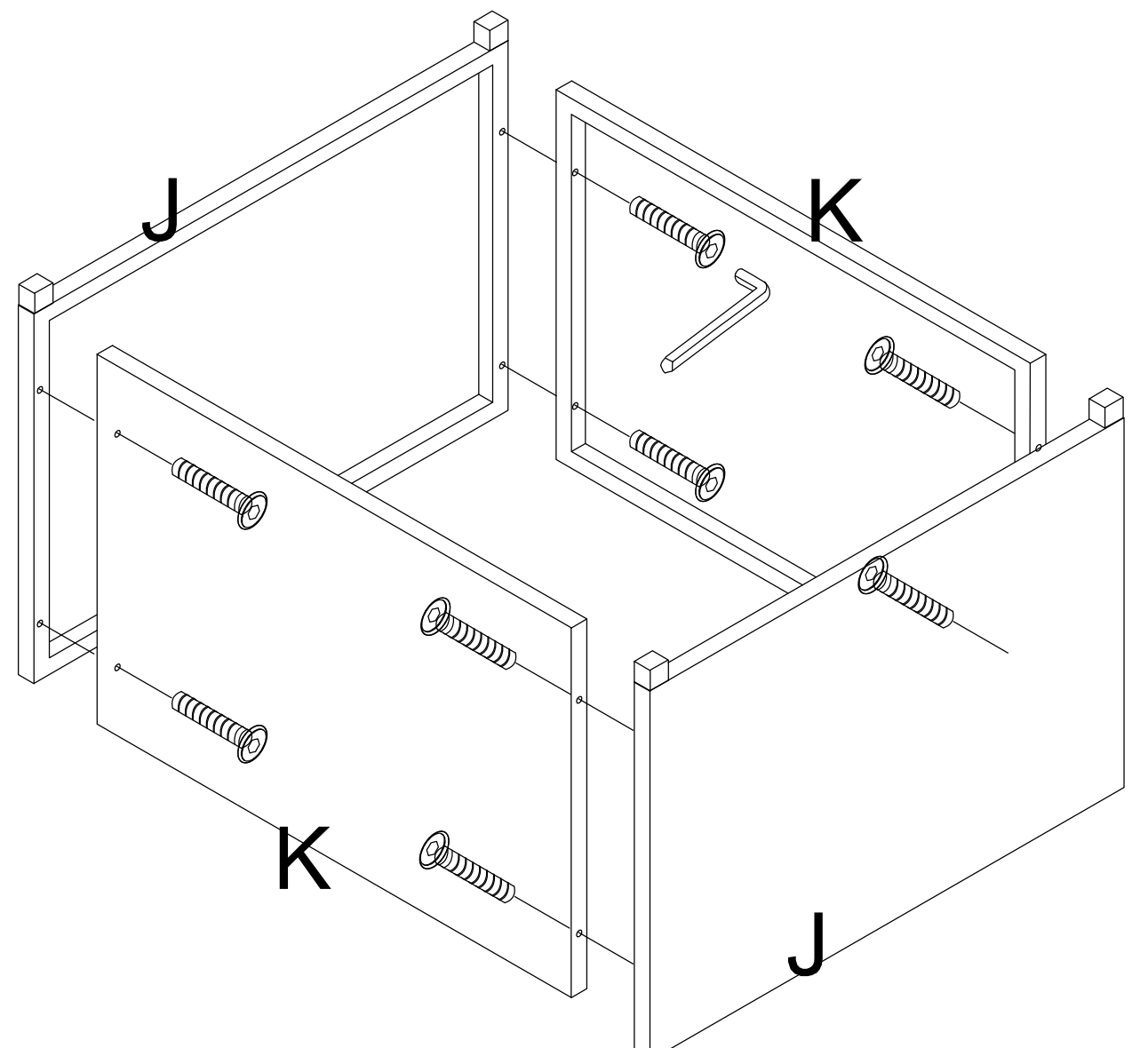
8

Q



M6X35

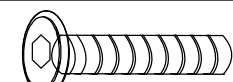
x8



NOTE : 50% TIGHTEN BEFORE FIXING ALL BOLTS

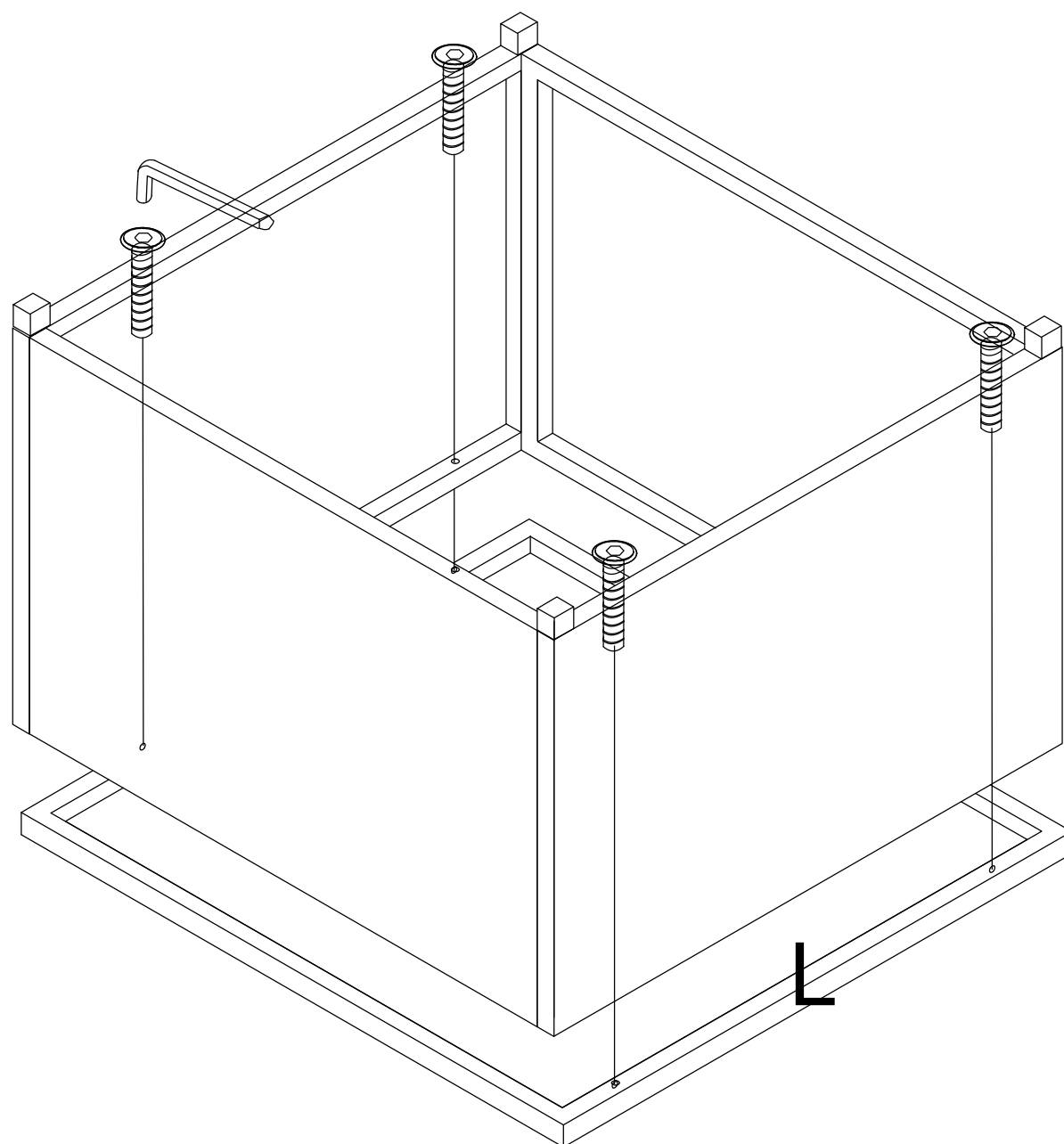
9

q

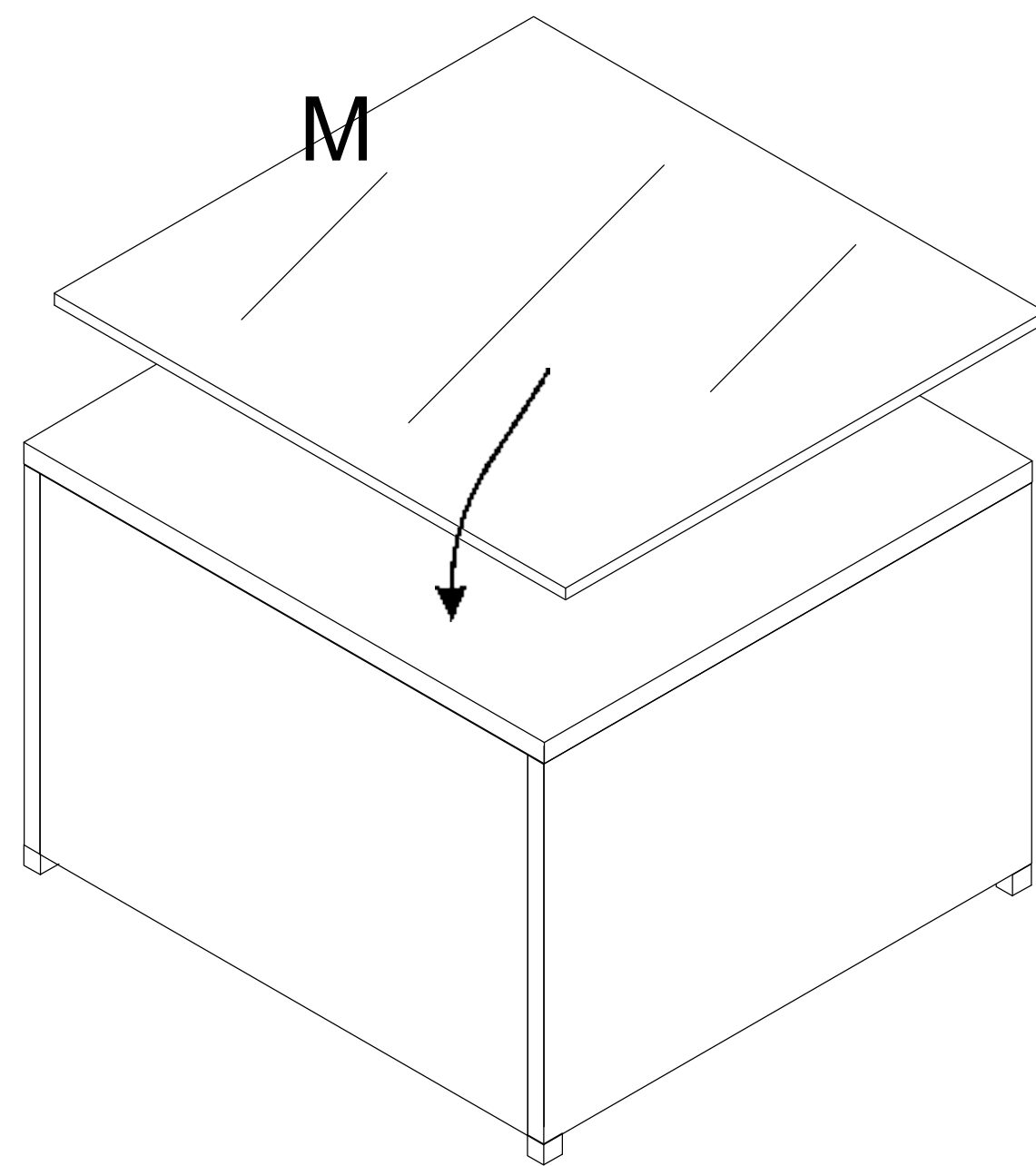


M6X35

x4



10



11

