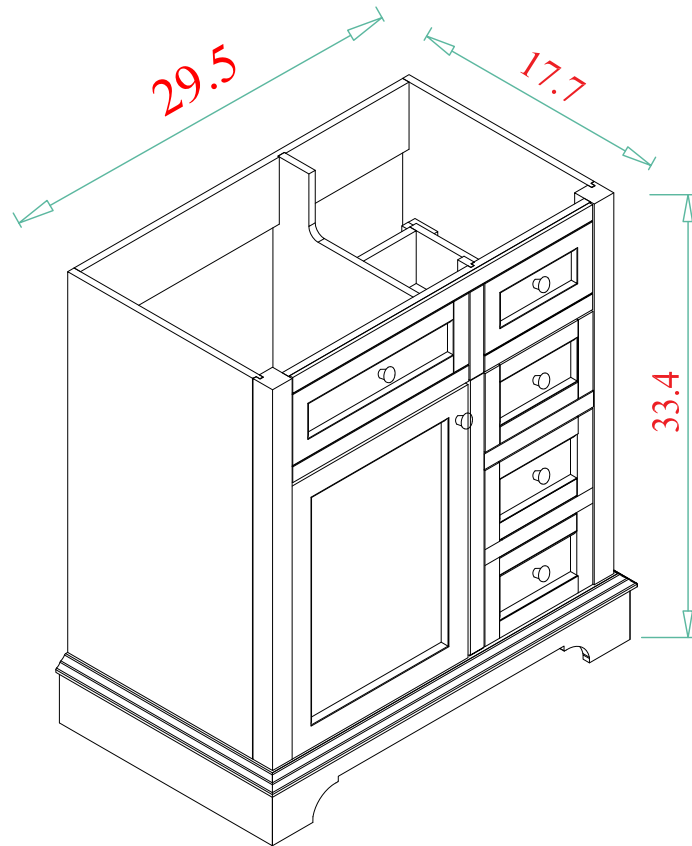


INSTALLATION INSTRUCTIONS

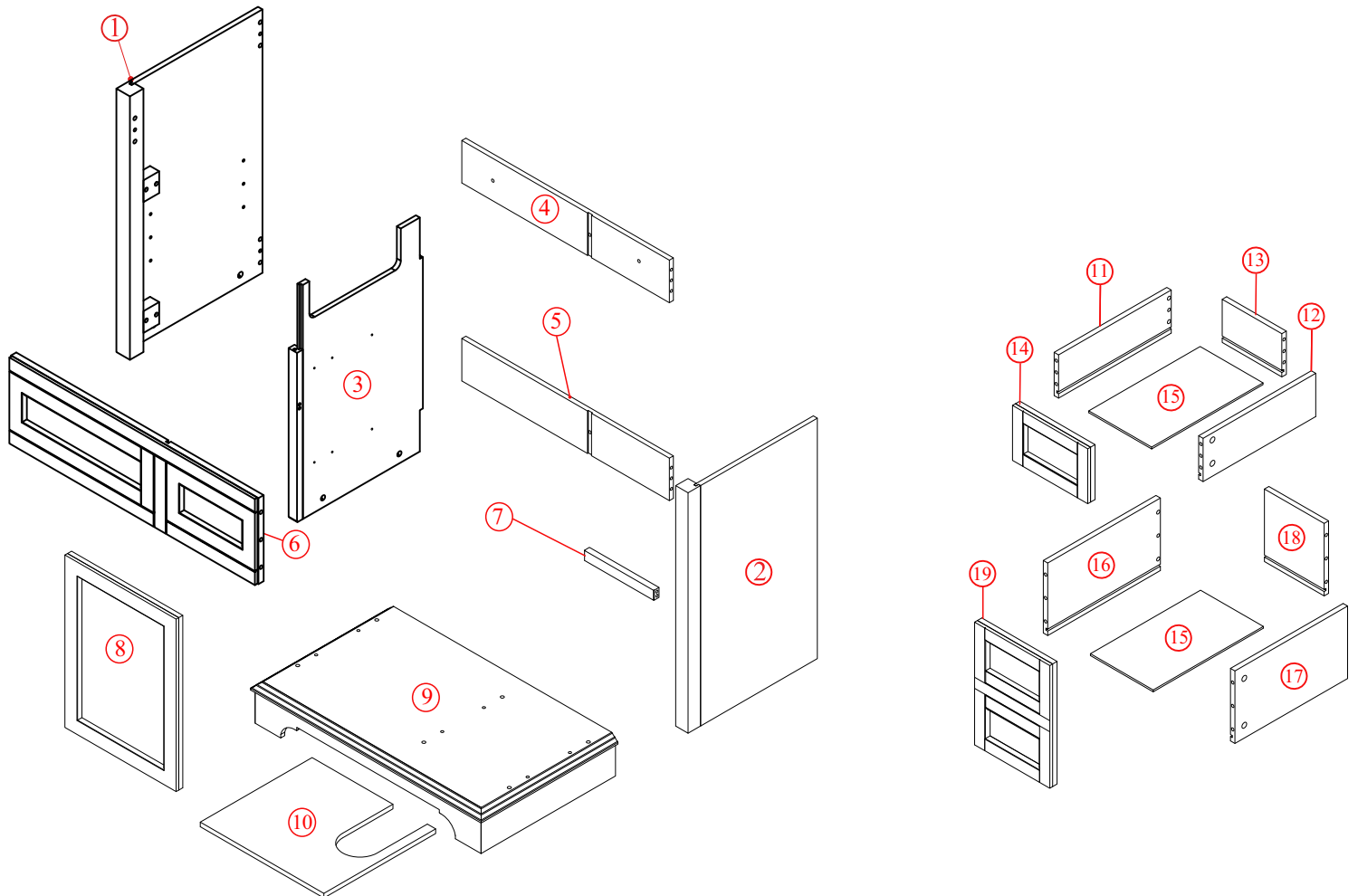
***The vessel and faucet set is not included**

DIMENSION


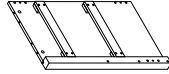

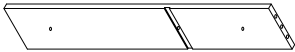
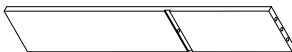
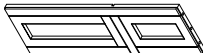


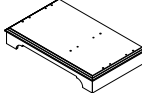

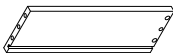

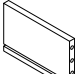
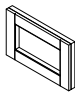



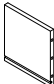
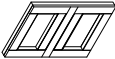
Unit: inch

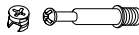
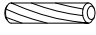


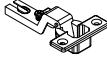








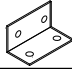



ASSEMBLY DIAGRAM



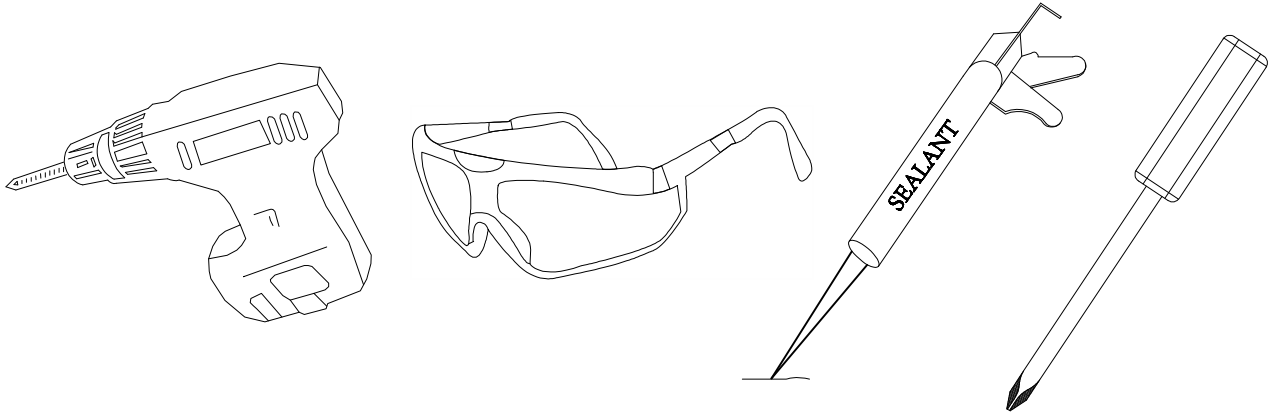
PARTS LIST

PARTS LIST		
No.	Description	QTY
1		1
2		1
3		1
4		1
5		1
6		1
7		1
8		1
9		1
10		1
11		1
12		1
13		1
14		1
15		2
16		1
17		1
18		1
19		1

HARDWARE LIST		
No.	Description	QTY
A	 Three-in-one Connector	34
B	 Wood Plug	25
C	 SHELF SUPPORT	4
	 Screws M3x12	4
D	 Hinges	2
	 Screws M3.5x15	12
E	 Handle	6
F	 Handle Screws M4x20	5
G	 Handle Screws M4x27.5	1
H	 Slider	4
	 Screws M3x12	24
I	 Screws M4x25	2
K	 Screws M3x12	4
	 Brackets	1
L	 Screws For Fix On The Wall	2

CAUTION: Please confirm the parts list before installation

YOU MAY NEED (NOT SUPPLIED)

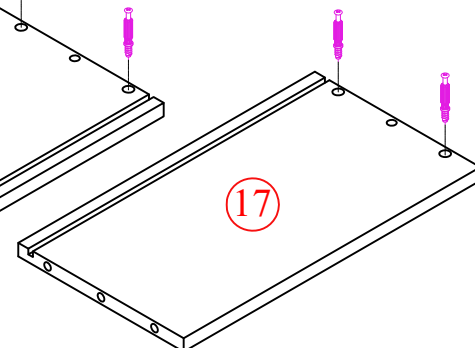
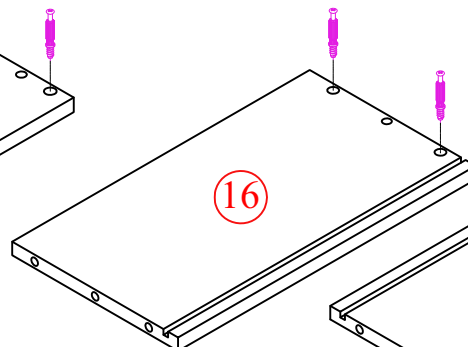
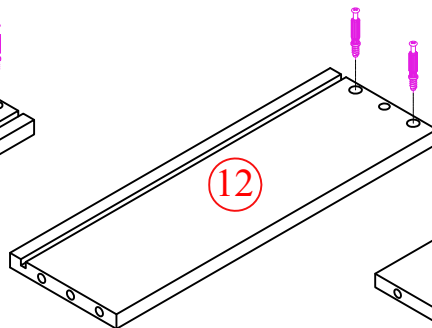
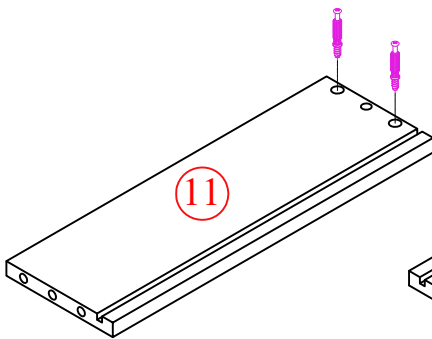
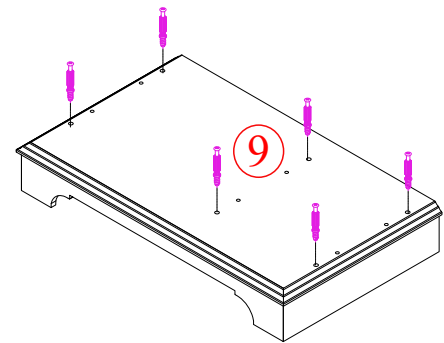
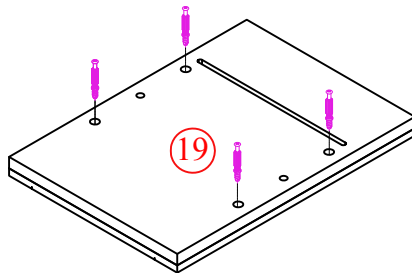
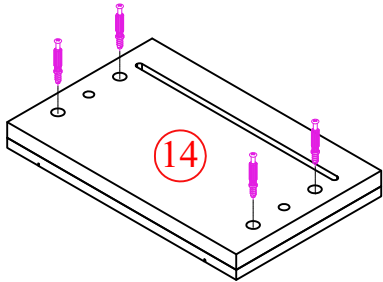
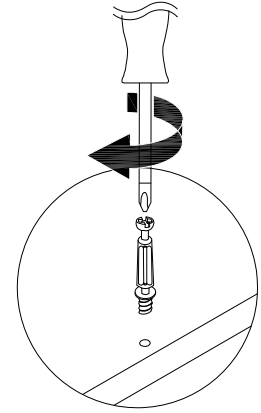
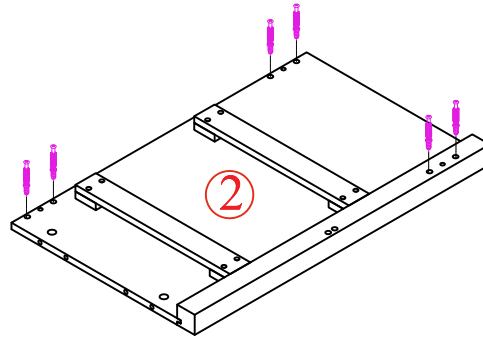
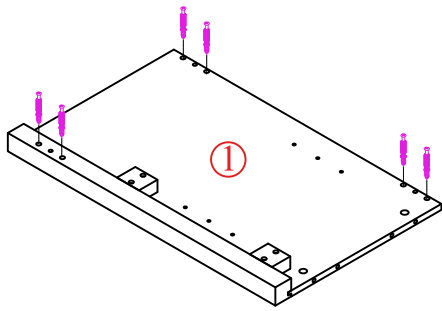
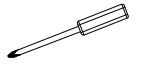


INSTALLATIONS

STEP 1

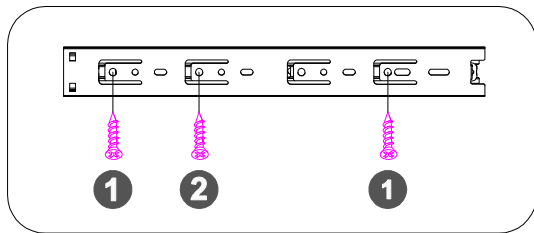
HARDWARE LIST

A  34 PCS

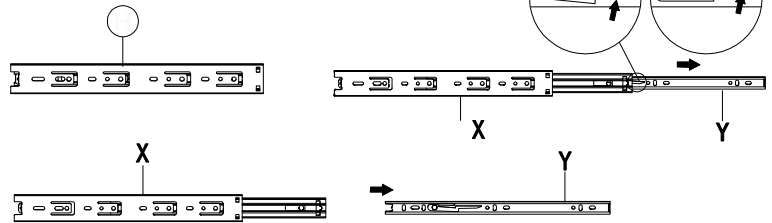
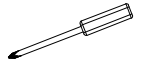


• Insert the Cam Screw into the shelves above

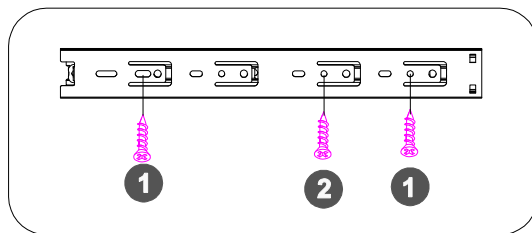
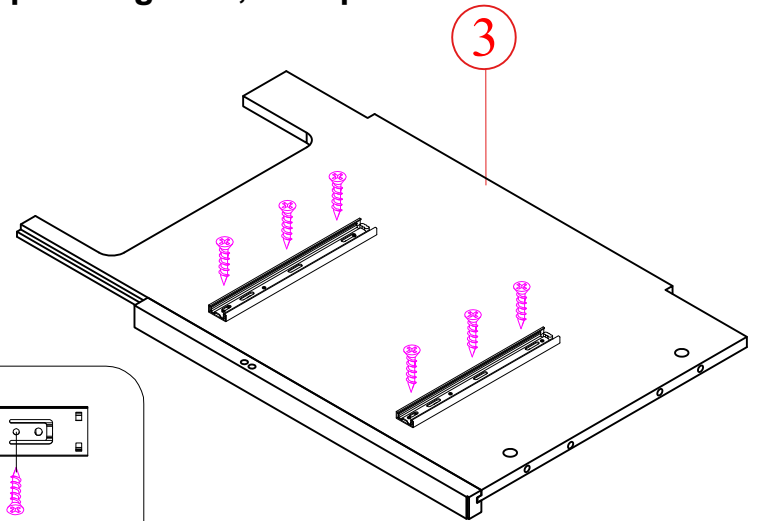
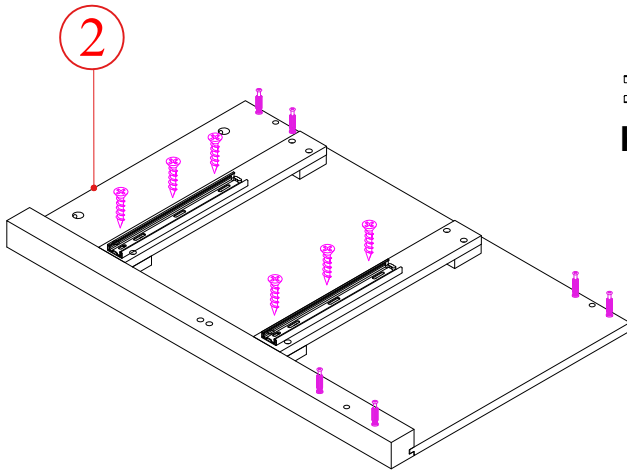
STEP 2



HARDWARE LIST	
H	X 4PCS
H	12PCS



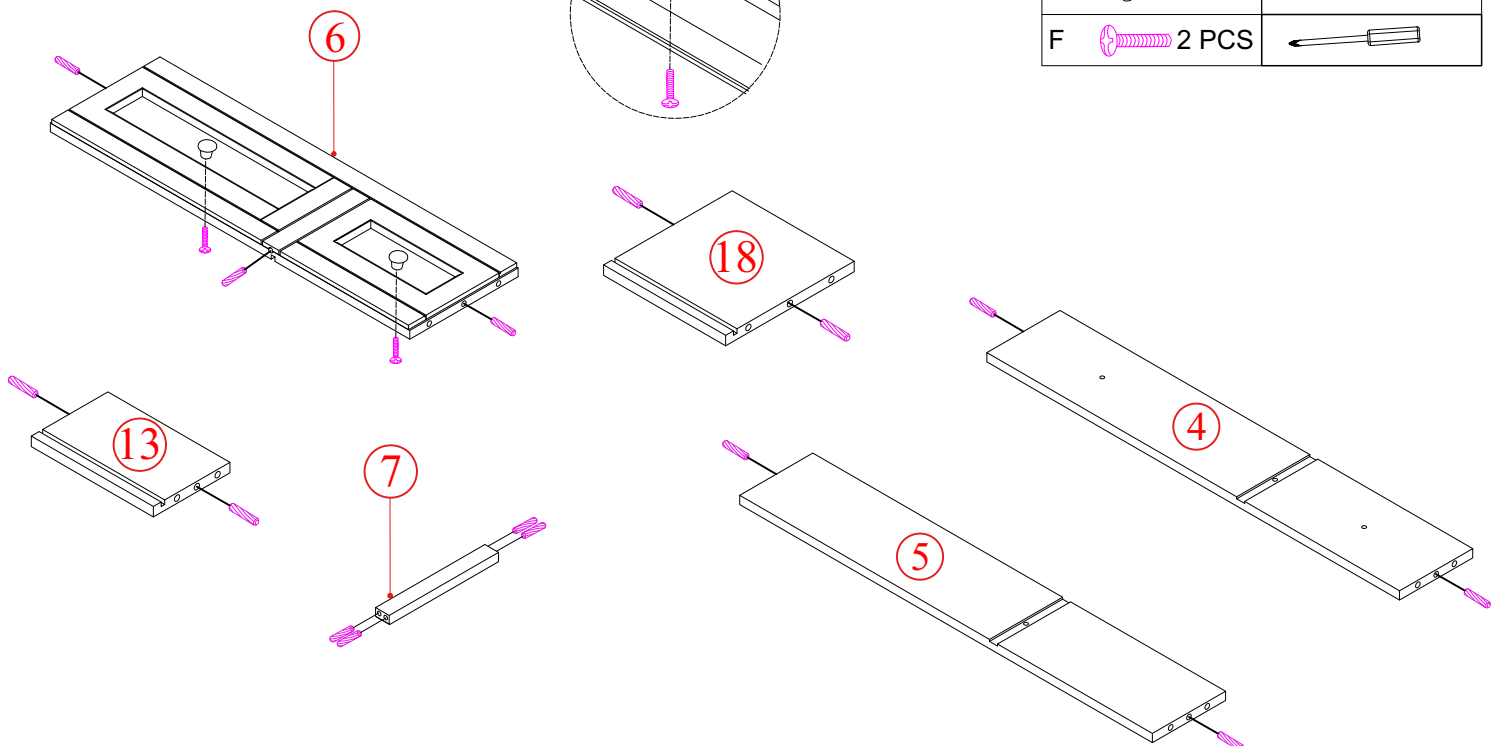
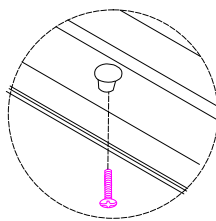
Keep pressing here, then pull out to device the slide.



- Refer to the illustration to fix the Slide rails to theboard #2, #3 with screws.


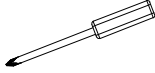

STEP 3

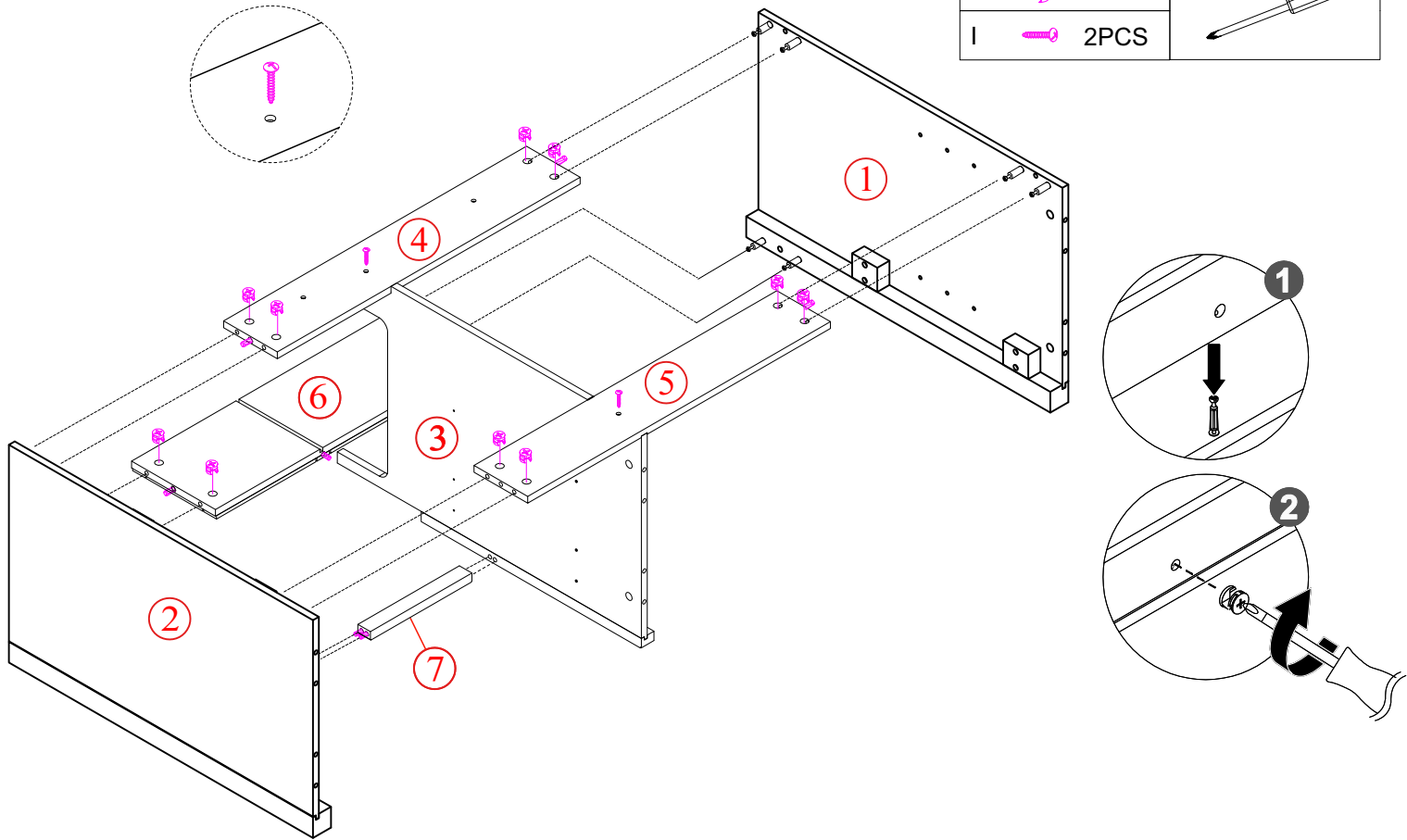
HARDWARE LIST	
B	15 PCS
E	2 PCS
F	2 PCS



- Insert the wooden dowel pins into the shelves


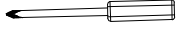

STEP 4

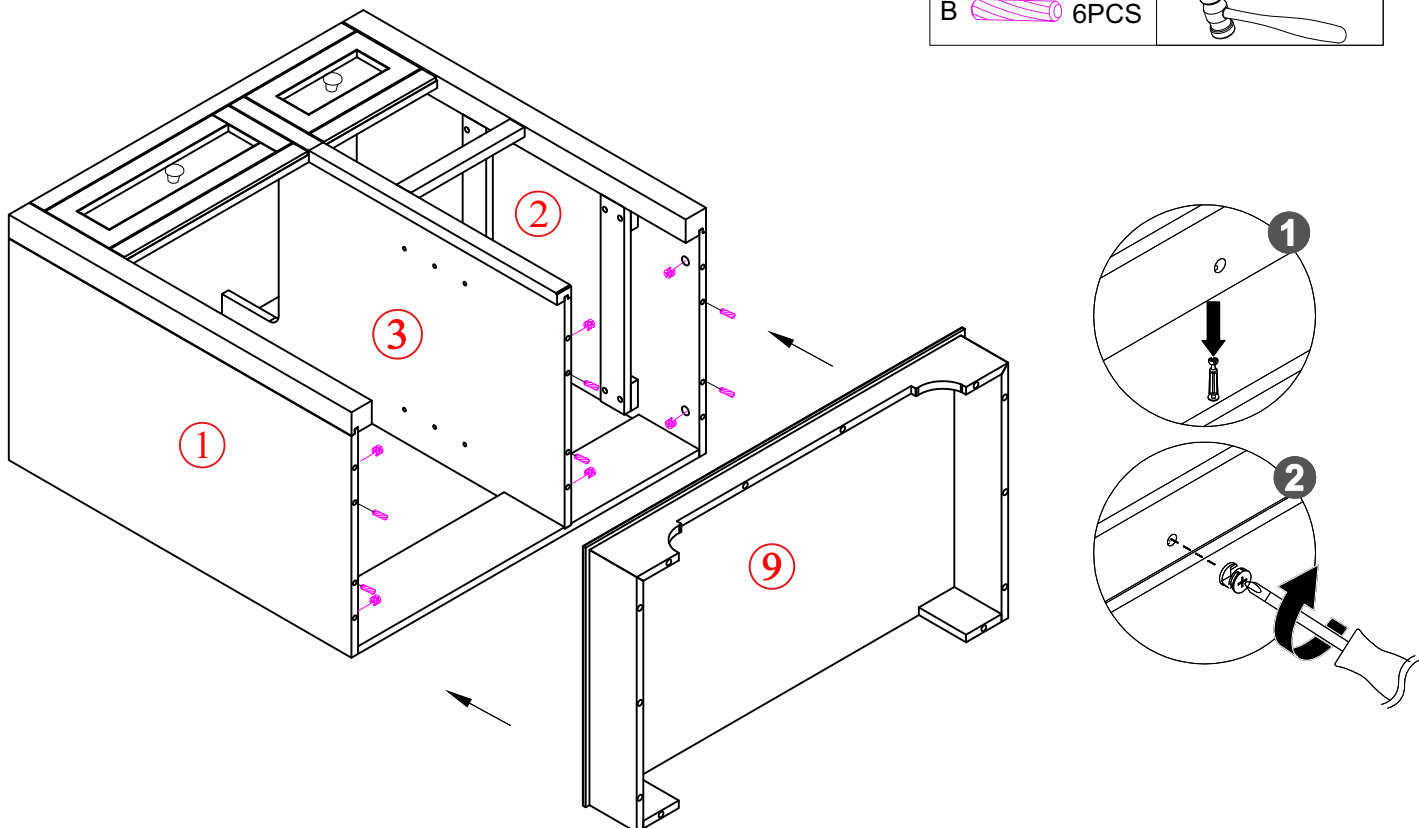
HARDWARE LIST			
A		12PCS	
I		2PCS	



- Refer to the illustration, already assembled #3,#4,#5,#6,#7 on the shelf #1 and #2. Then tighten the cam lock.

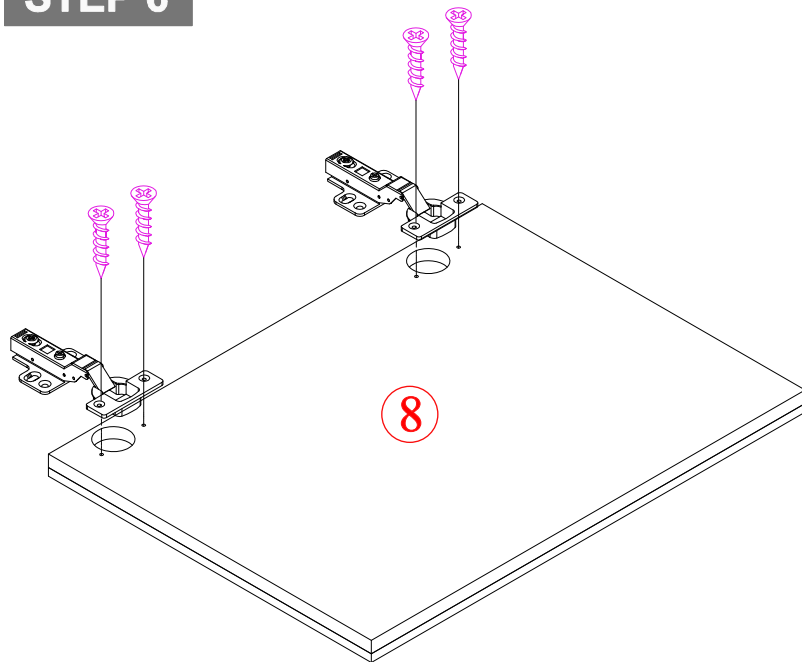
STEP 5

HARDWARE LIST			
A		6PCS	
B		6PCS	


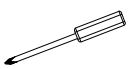



- Insert the baffle into the bottom board #1;#2;#3; #9. Then tighten the cam lock.

STEP 6

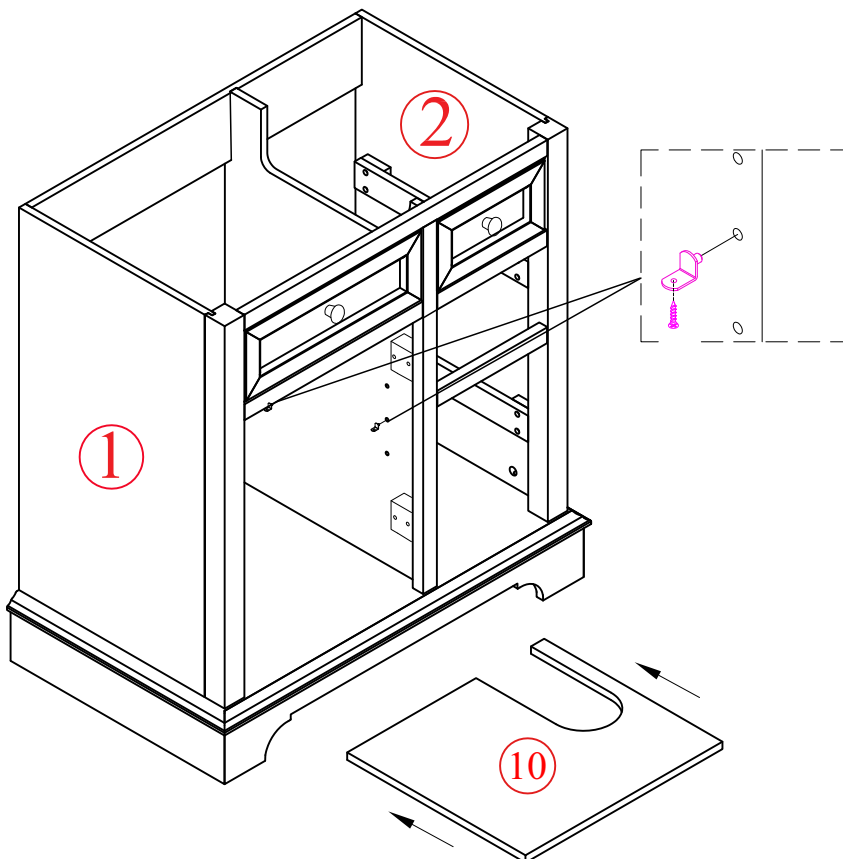


HARDWARE LIST


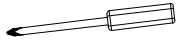

D	 2 PCS	
	 4 PCS	

- Use Screws to install the handle and apply Screws to fix the hinge on the shelf #8.

STEP 7

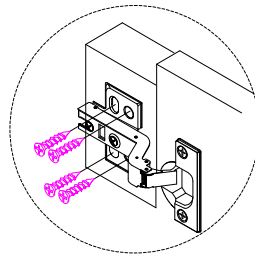


HARDWARE LIST

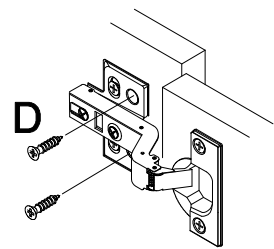
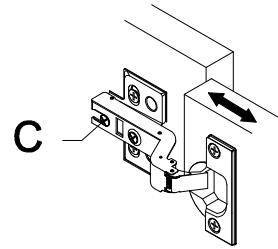
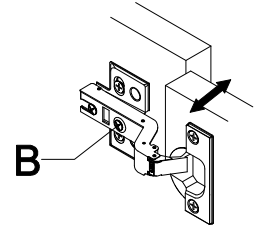
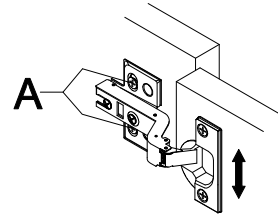
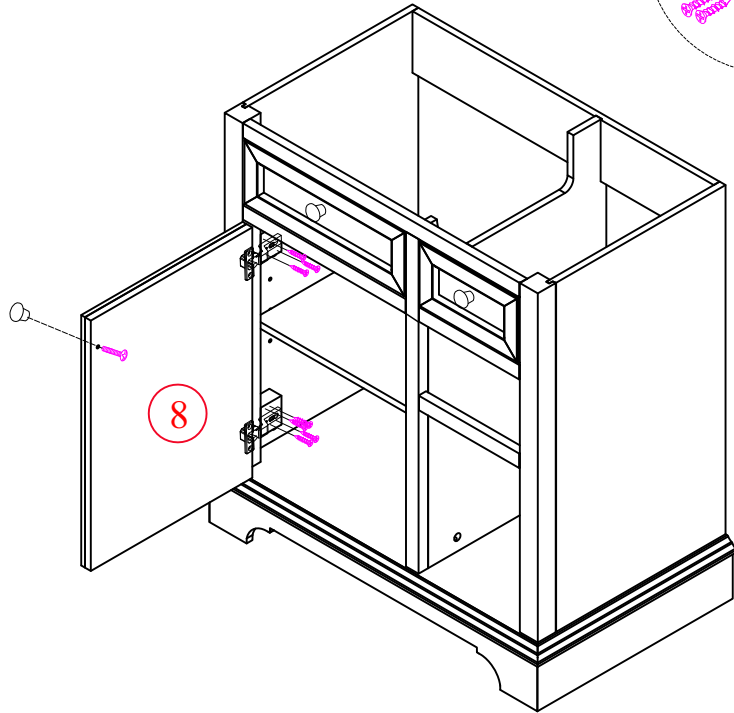
C	 4 PCS	
	 4 PCS	

- Insert the floor shelf support sequentially into the side frame #1 and #2 .
Then put the #10 floor inside the cabinet
- Use screws to attach to the floor support .

STEP 8



HARDWARE LIST			
E		1 pc	
G		1 pc	
D		8 pcs	



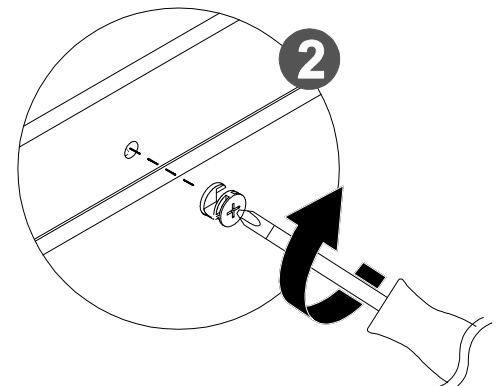
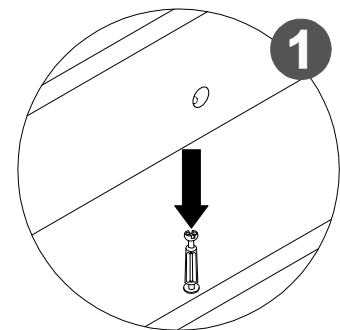
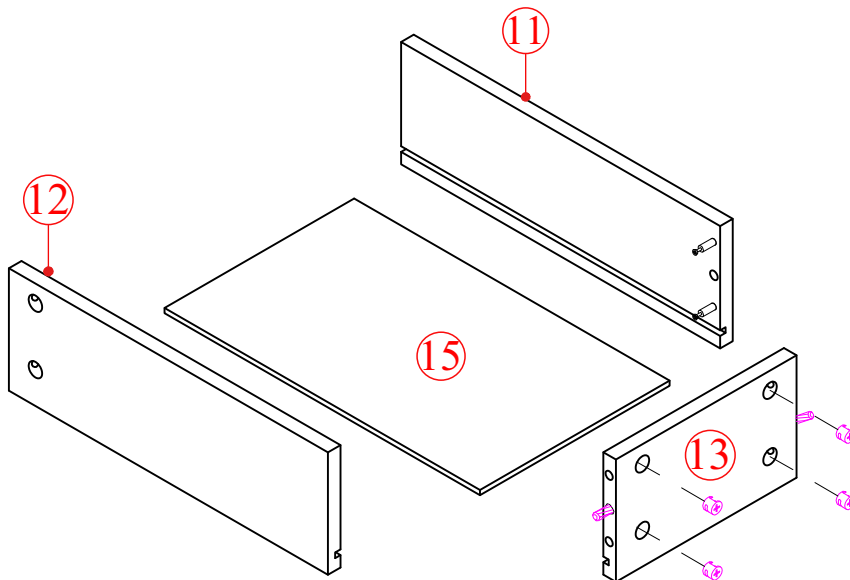
A. Height adjustment
C. Depth adjustment

B. Side to side adjustment
D. After adjustment A/B/C, tighten screws

- To ensure proper cabinet alignment, refer to the above illustrations for instructions about adjusting the cabinet height, depth and lateral movement.

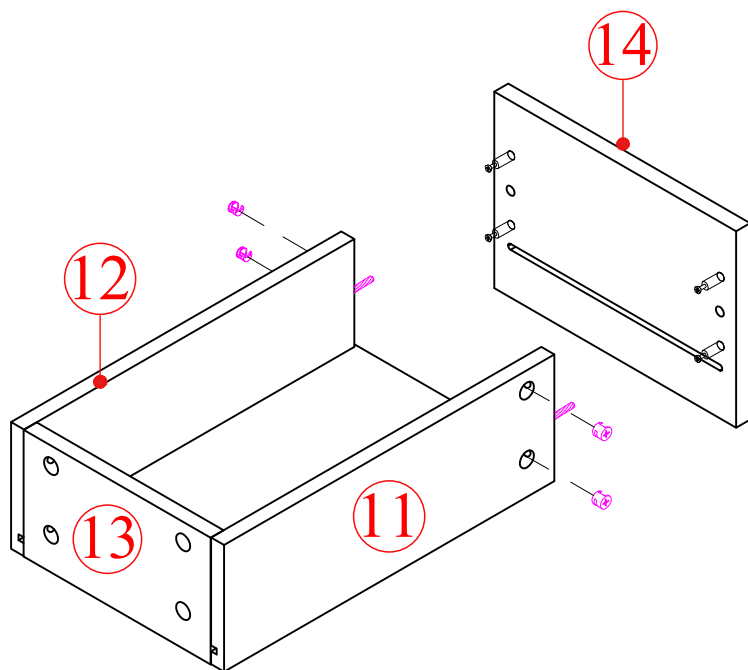
STEP 9


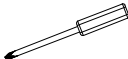

HARDWARE LIST			
A		4PCS	

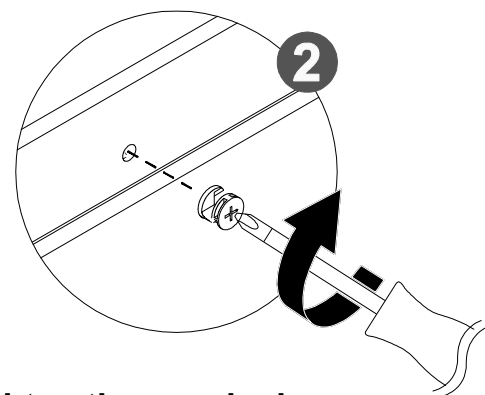
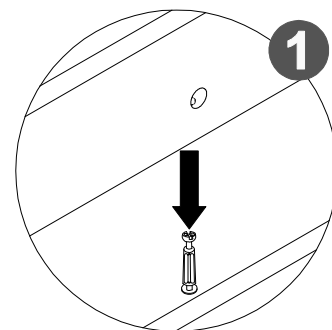


- Insert the wooden dowel pins into the panel #13
- Insert shelves #11, #12, #13 and #15 to their corresponding positions. Then tighten the cam lock.

STEP 10

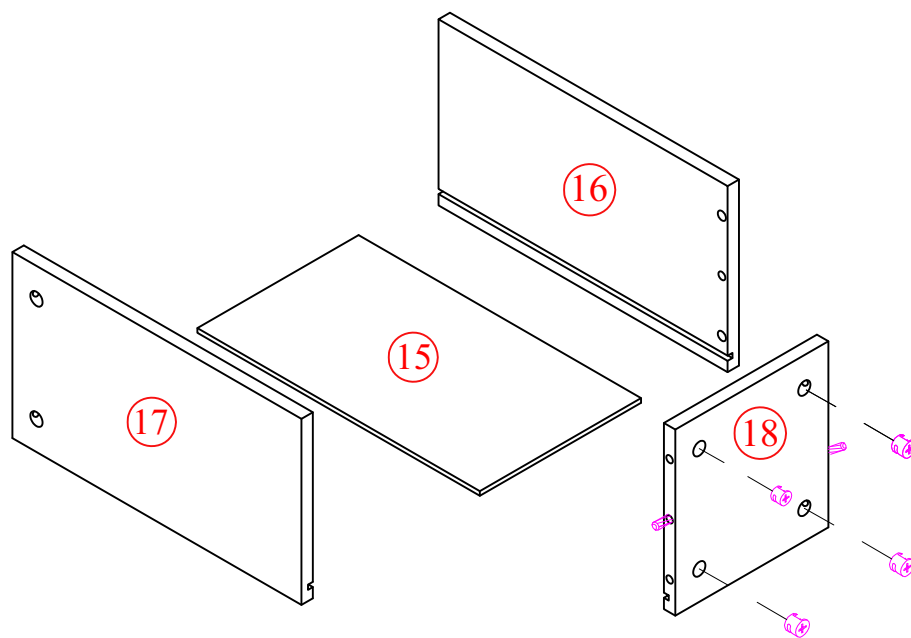



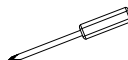
HARDWARE LIST		
A	 4PCS	
B	 2PCS	

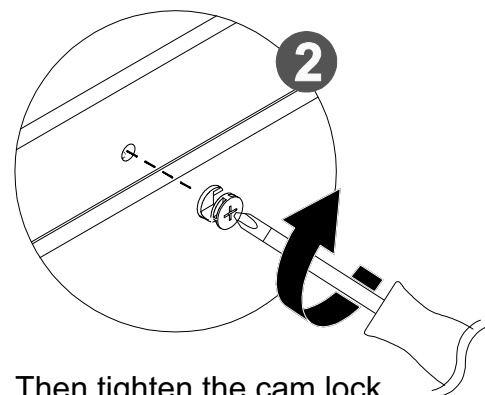
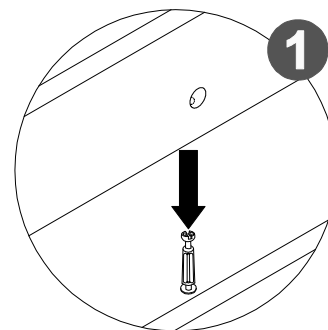


- Insert the wooden dowel pins into the panel #14
- Insert drawer panel to their corresponding positions. Then tighten the cam lock.

STEP 11

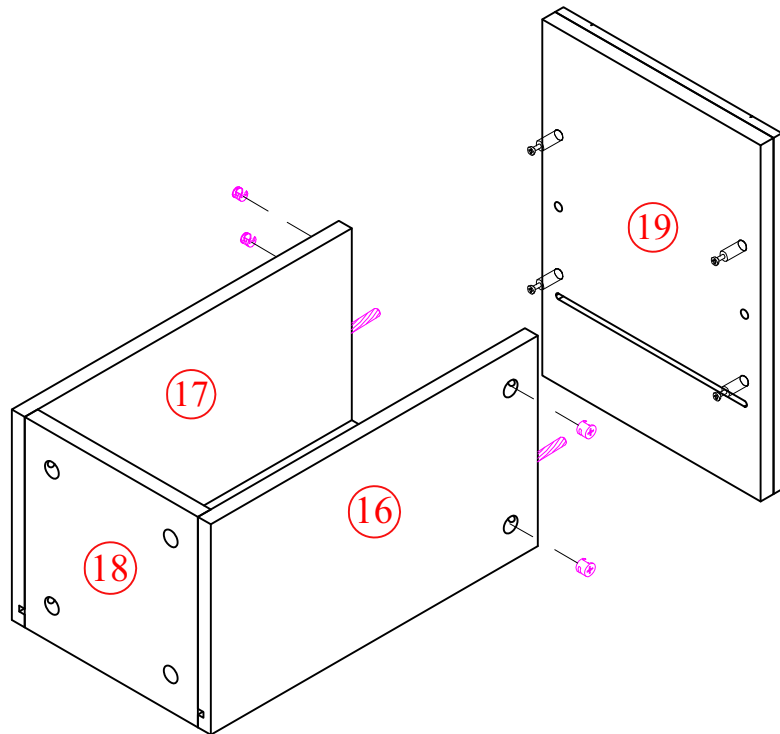



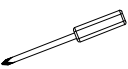

HARDWARE LIST		
A	 4PCS	

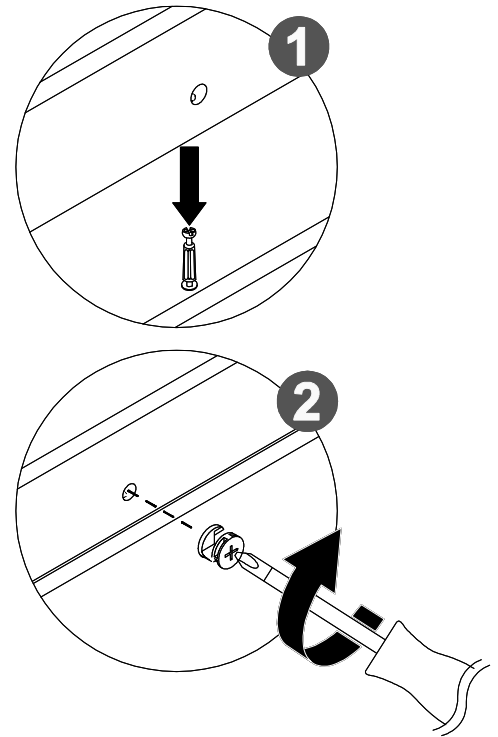


- Insert the wooden dowel pins into the panel #18
- Insert shelves #16, #17, #15 and #18 to their corresponding positions. Then tighten the cam lock.

STEP 12

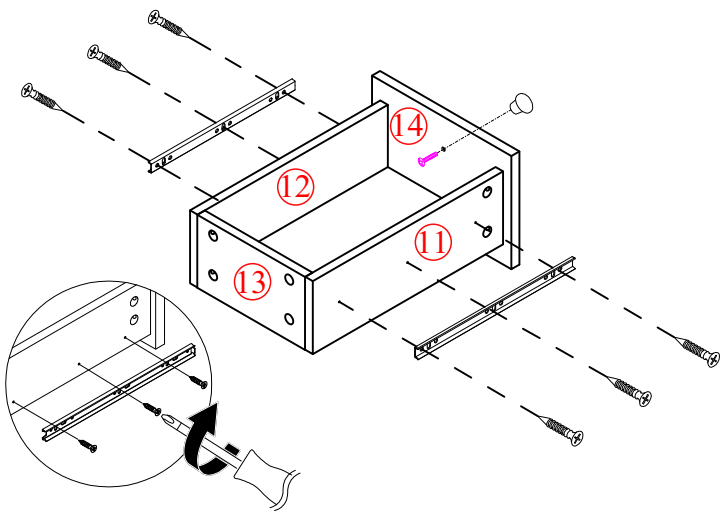



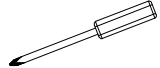



HARDWARE LIST			
A		4PCS	
B		2PCS	

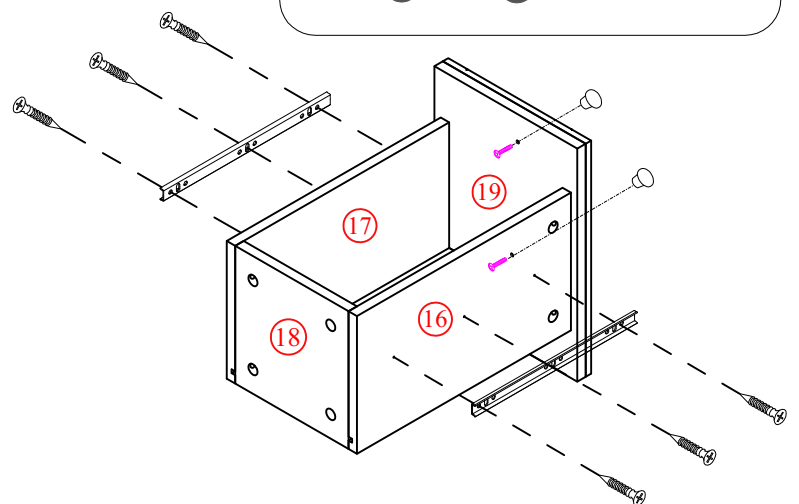
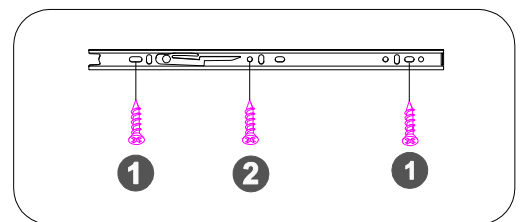


- Insert the wooden dowel pins into the panel #19
- Insert drawer panel to their corresponding positions. Then tighten the cam lock.

STEP 13

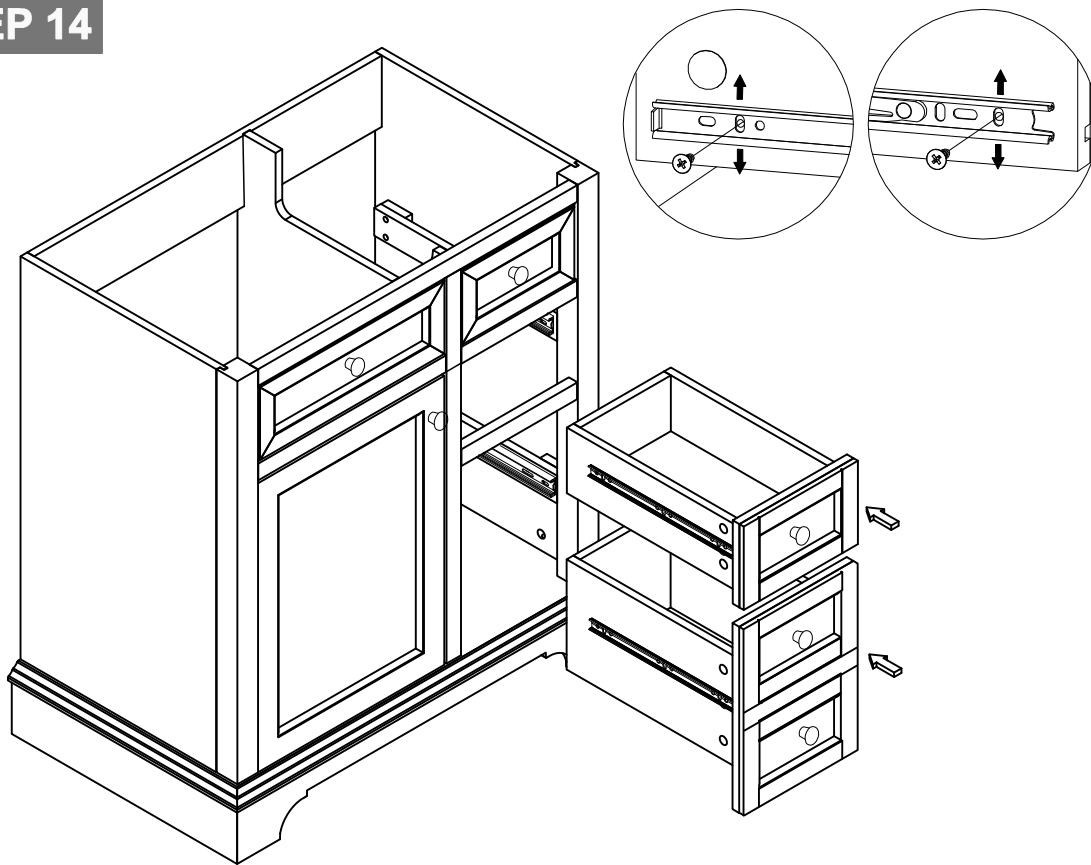


HARDWARE LIST			
E		3PCS	
F		3PCS	
H		4PCS	
		12PCS	



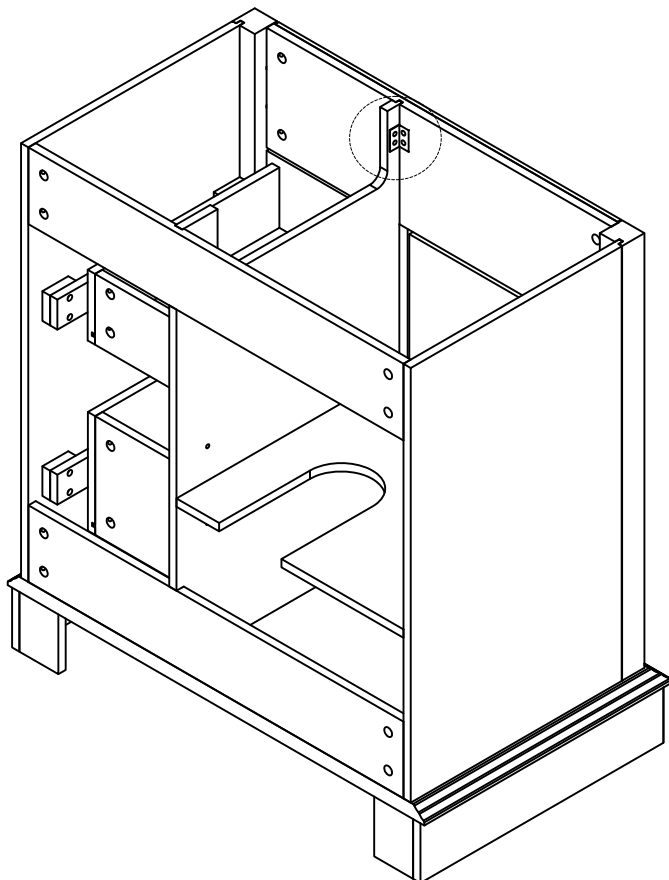
- Refer to the illustration, Apply Screws to fix the Slides on the panel #11,#12,#16,#17.
- Use Screws to install the handle



STEP 14

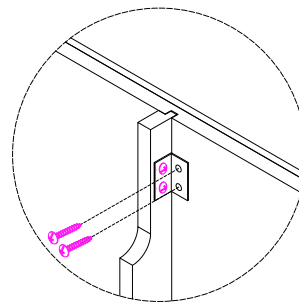
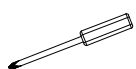


- If the drawers are not in the same level, please adjust the screws in the drawer box.
- Assembled drawers are loaded onto cabinets.

STEP 15

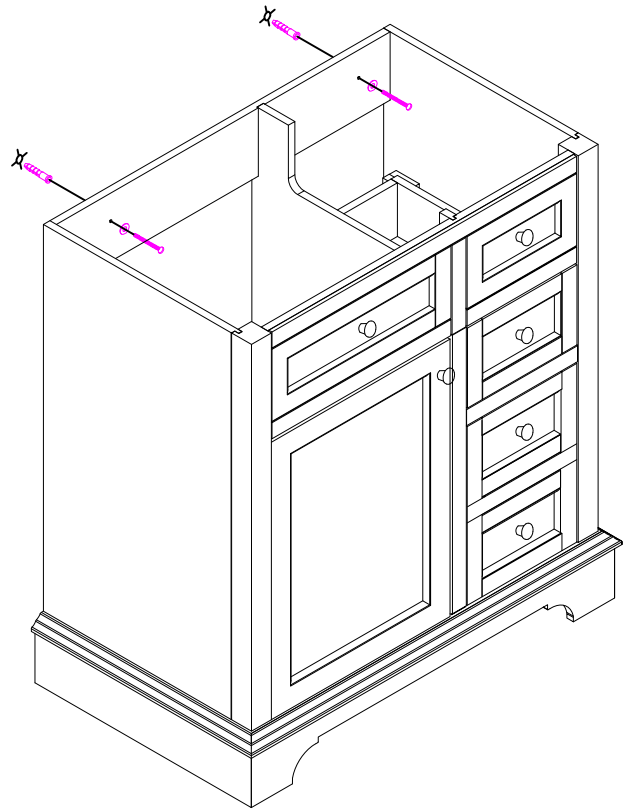


HARDWARE LIST		
K		4PCS
K		1PC

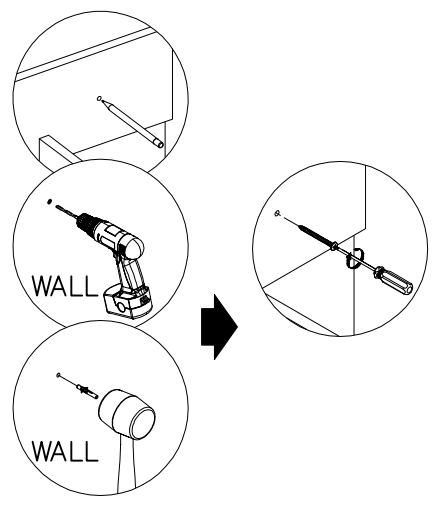
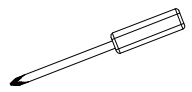


- Use Screws to install the Brackets to the fake drawer surface.

STEP 16

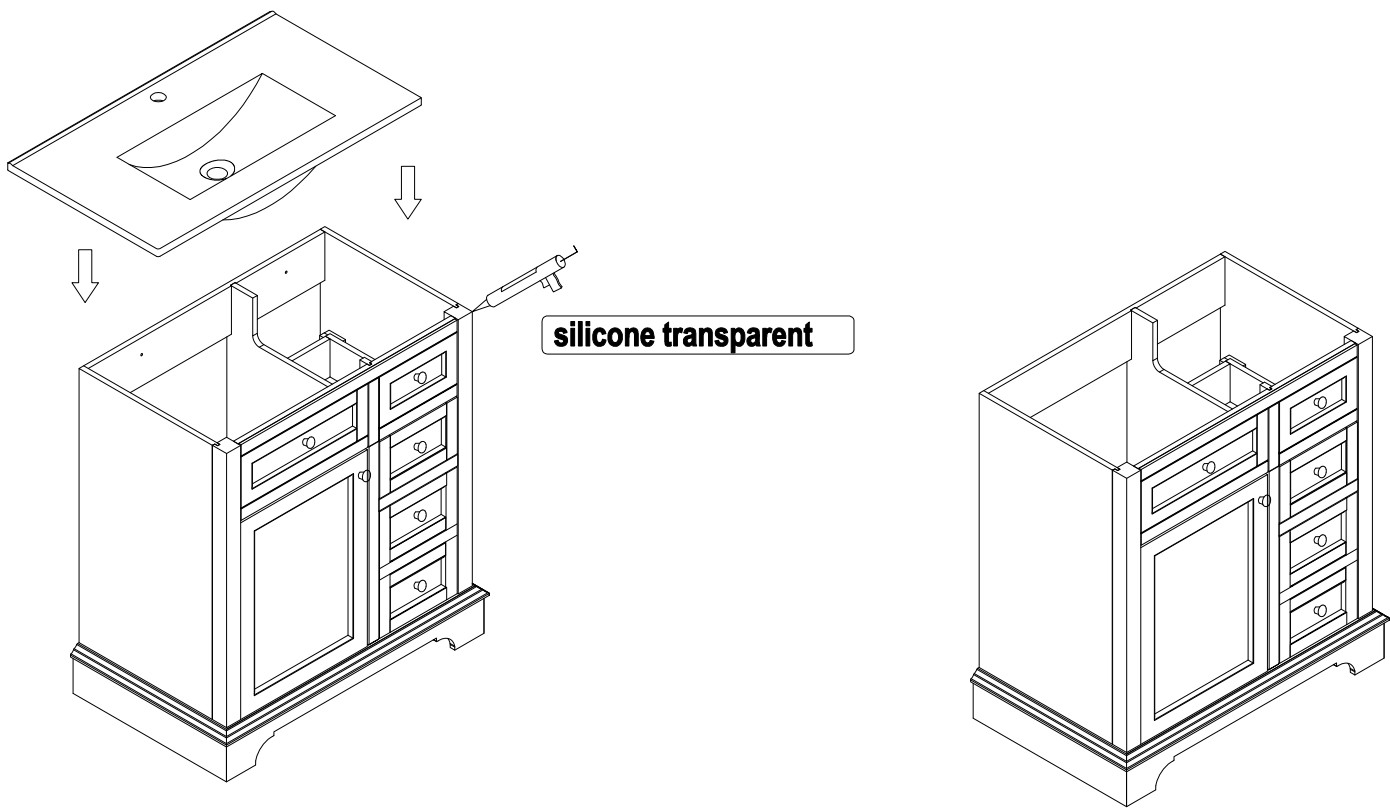


HARDWARE LIST		
L		2PCS
L		2PCS
L		2PCS



• Refer to the illustration, Draw the spacing between the walls on the cabinet, punch holes in the wall, and fix the cabinet to the wall with screws.

STEP 17



• To help prevent mildew, apply sealant to the space between the wall and the edge of the cabinet.

CARE AND CLEANING

1. Many cleansers contain abrasive and chemical substance which is not suitable for cleaning stainless steel, enamel, plating or plastic products. You may use mild cleansers or soaps to clean the surfaces. Wipe any splashes of cleaner solutions from the surface with a clean soft cloth.
2. Maintain ventilation in the bathroom and separate the dry area from the damp one if conditions permit. Try to open the door and windows of the bathroom to maintain adequate ventilation.
3. This cabinet is built to withstand normal bathroom humidity. For best results, keep this vanity dry and take necessary steps to minimize bathroom humidity by opening windows and doors and using the exhaust fan (if available).
4. To maintain the cabinet door, clean and wipe the door regularly with a soft cloth. Wipe condensation with a dry, soft cloth. Keep away from resin and high temperatures.
5. Please do not sit, lean or step on the basin cabinet.