




# ASSEMBLY & INSTALLATION INSTRUCTIONS

## CAUTION:

Turn off the main power at the circuit breaker before installing the fixture, in order to prevent possible shock.

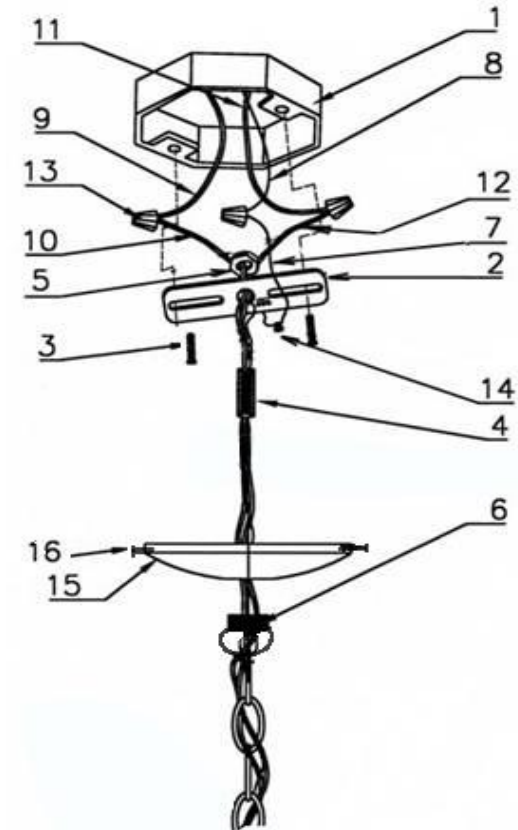
## Parts included:

Wire Connector	Mounting Screw	Ground Screw
		
3PCS	2PCS	1PC

## ASSEMBLY & INSTALLATION:

1. Take off the SCREWS (16) on both sides of the CANOPY (15);
2. Unscrew the LOOP (6) from the CANOPY (15);
3. Thread the HEX NUT (5) several turns onto the top end of the NIPPLE (4);
4. Place the NIPPLE (4) into the center of the MOUNTING BRACKET (2);
5. Attach the power supply wires to the fixture lead wires by connecting the BLACK SUPPLY WIRE (9) to the SMOOTH FIXTURE LEAD WIRE (10) and the WHITE SUPPLY WIRE (11) to the RIBBED FIXTURE LEAD WIRE (12) with the WIRE CONNECTORS (13).  
Loop the FIXTURE GROUND WIRE (7) around the GROUND SCREW (14) of the MOUNTING BRACKET (2). (Note: Be sure to provide an extra 3" length of the GROUND WIRE(7).) Connect the remaining FIXTURE GROUND WIRE (7) to the SUPPLY GROUND WIRE (8) using a WIRE CONNECTOR (13).  
Place wiring and connections inside the OUTLET BOX (1).
6. Place MOUNTING SCREWS (3) into the elongated holes of the MOUNTING BRACKET (2) to tighten the MOUNTING BRACKET (2) onto the OUTLET BOX (1);
7. Place the CANOPY (15) over the MOUNTING BRACKET (2) with the SCREWS (16) on both sides.
8. Thread the LOOP (6) onto the bottom end of the NIPPLE (4).

**INSTALLATION IS NOW COMPLETED!**



- |                        |                              |
|------------------------|------------------------------|
| 1. OUTLET BOX          | 10. SMOOTH FIXTURE LEAD WIRE |
| 2. MOUNTING BRACKET    | 11. WHITE SUPPLY WIRE        |
| 3. MOUNTING SCREW      | 12. RIBBED FIXTURE LEAD WIRE |
| 4. NIPPLE              | 13. WIRE CONNECTOR           |
| 5. HEX NUT             | 14. GROUND SCREW             |
| 6. LOOP                | 15. CANOPY                   |
| 7. FIXTURE GROUND WIRE | 16. SCREW                    |
| 8. SUPPLY GROUND WIRE  |                              |
| 9. BLACK SUPPLY WIRE   |                              |