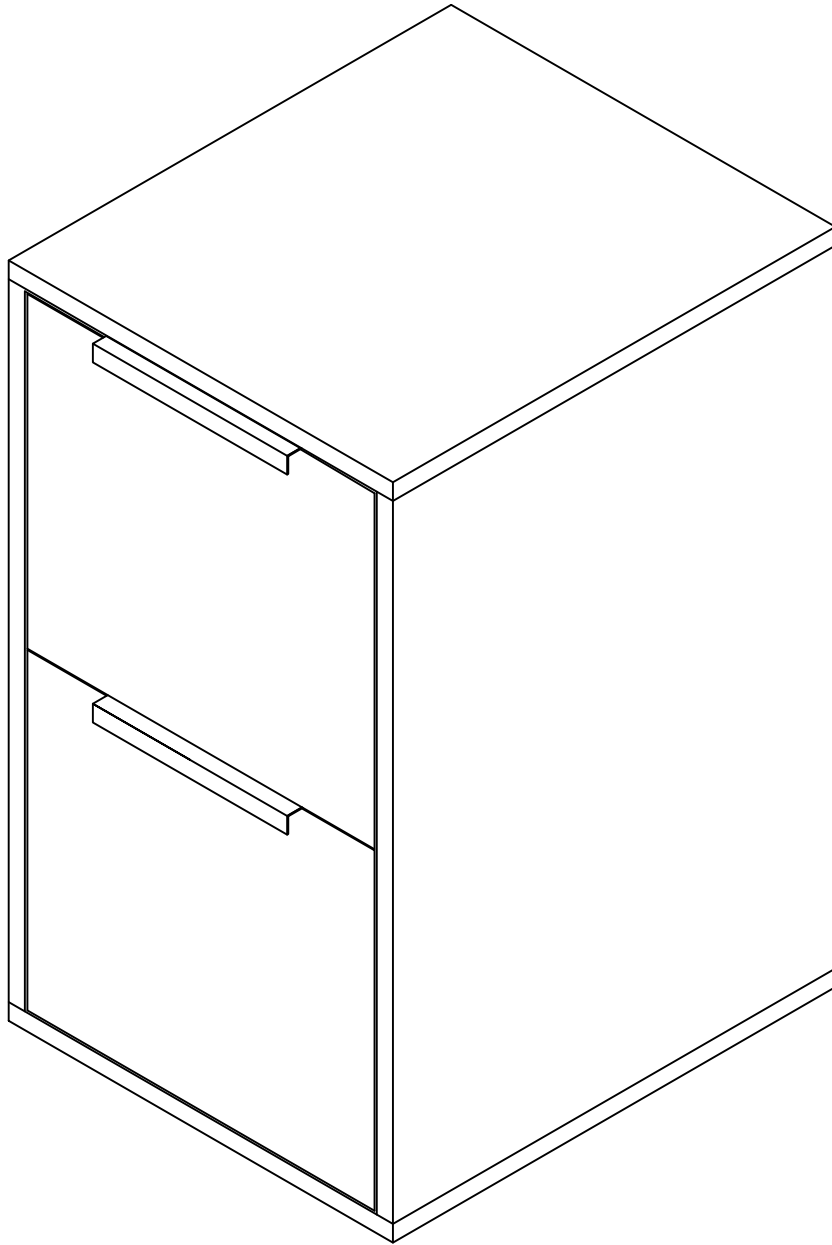
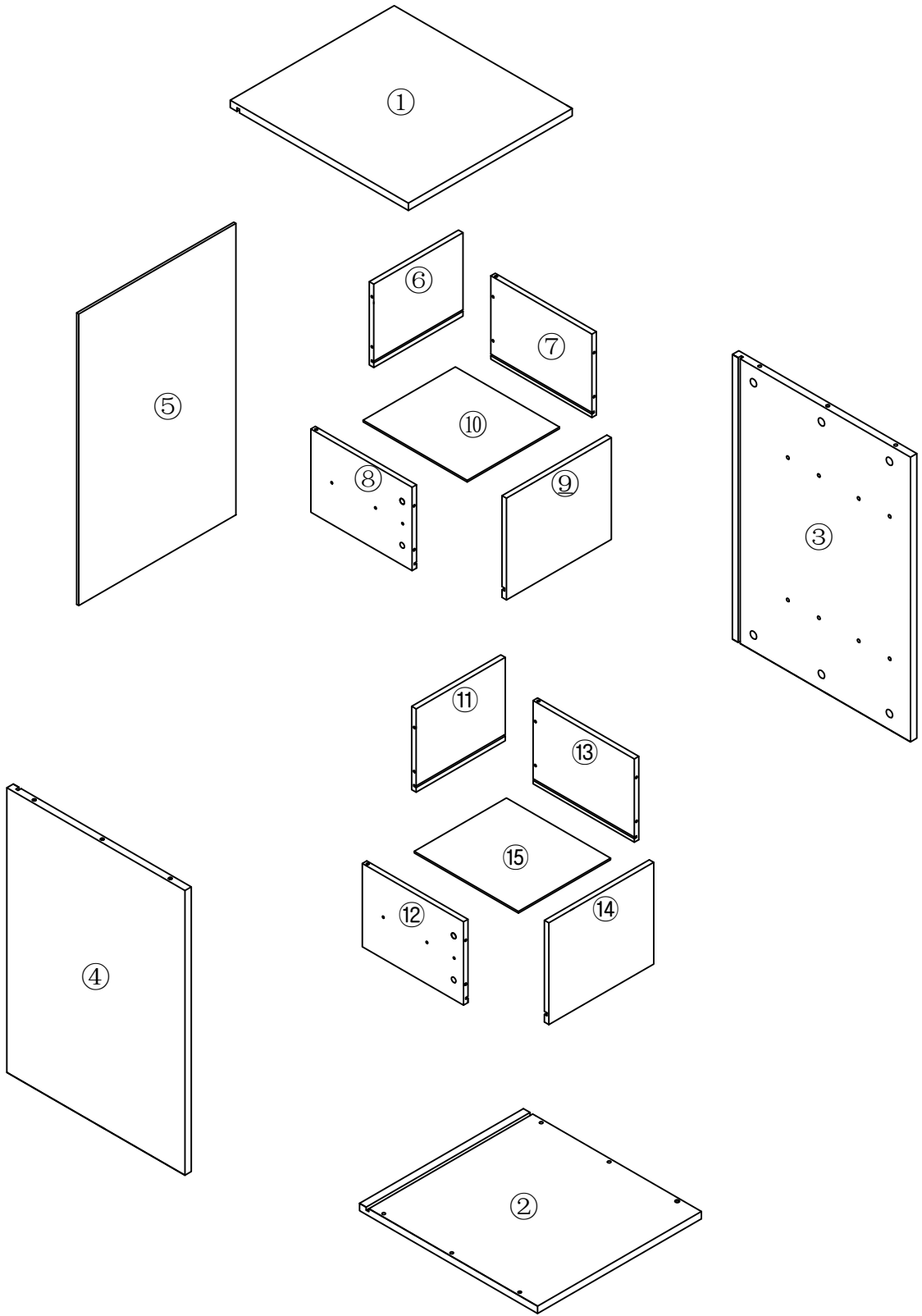



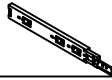

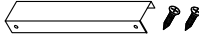




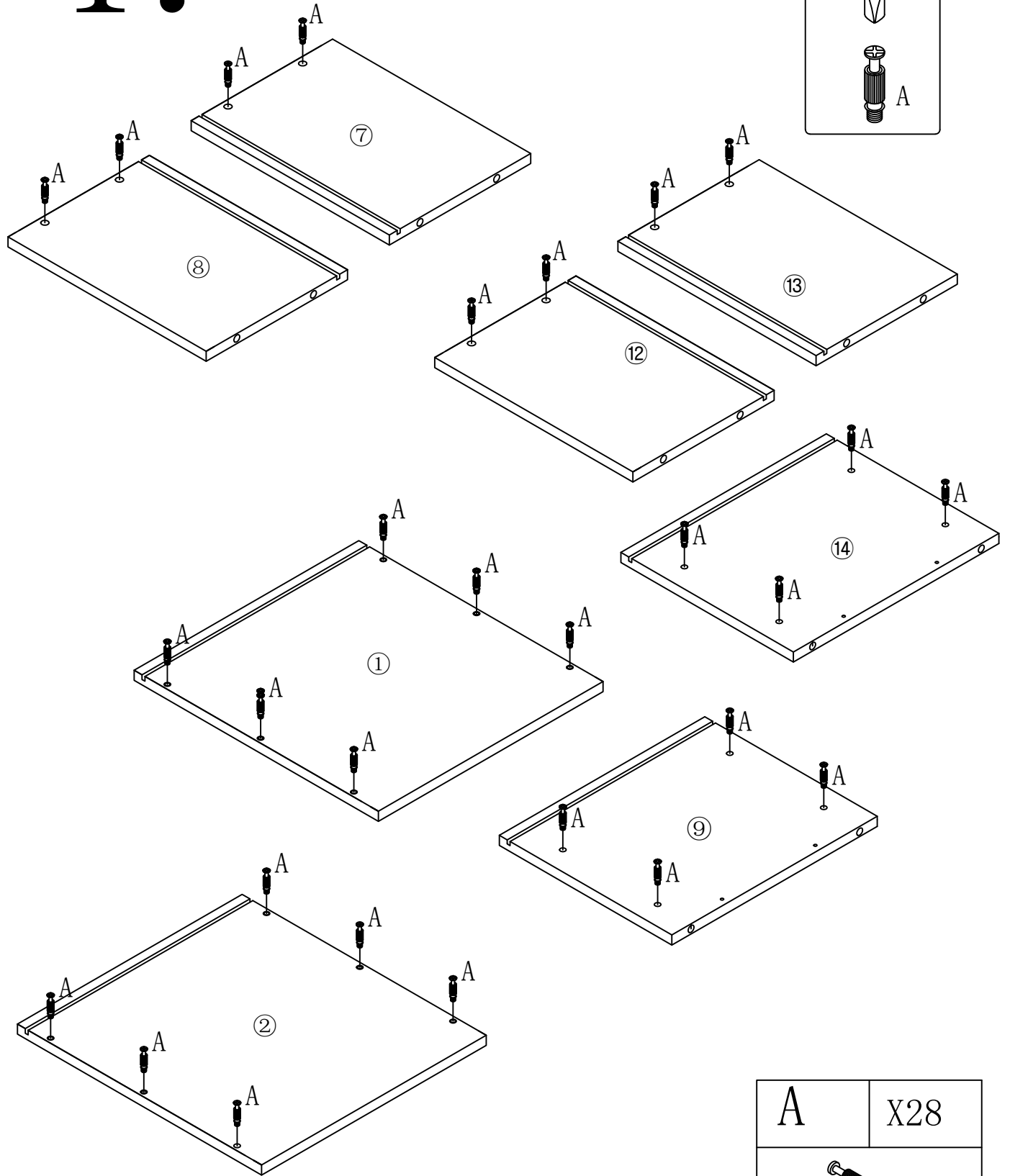
CABINET






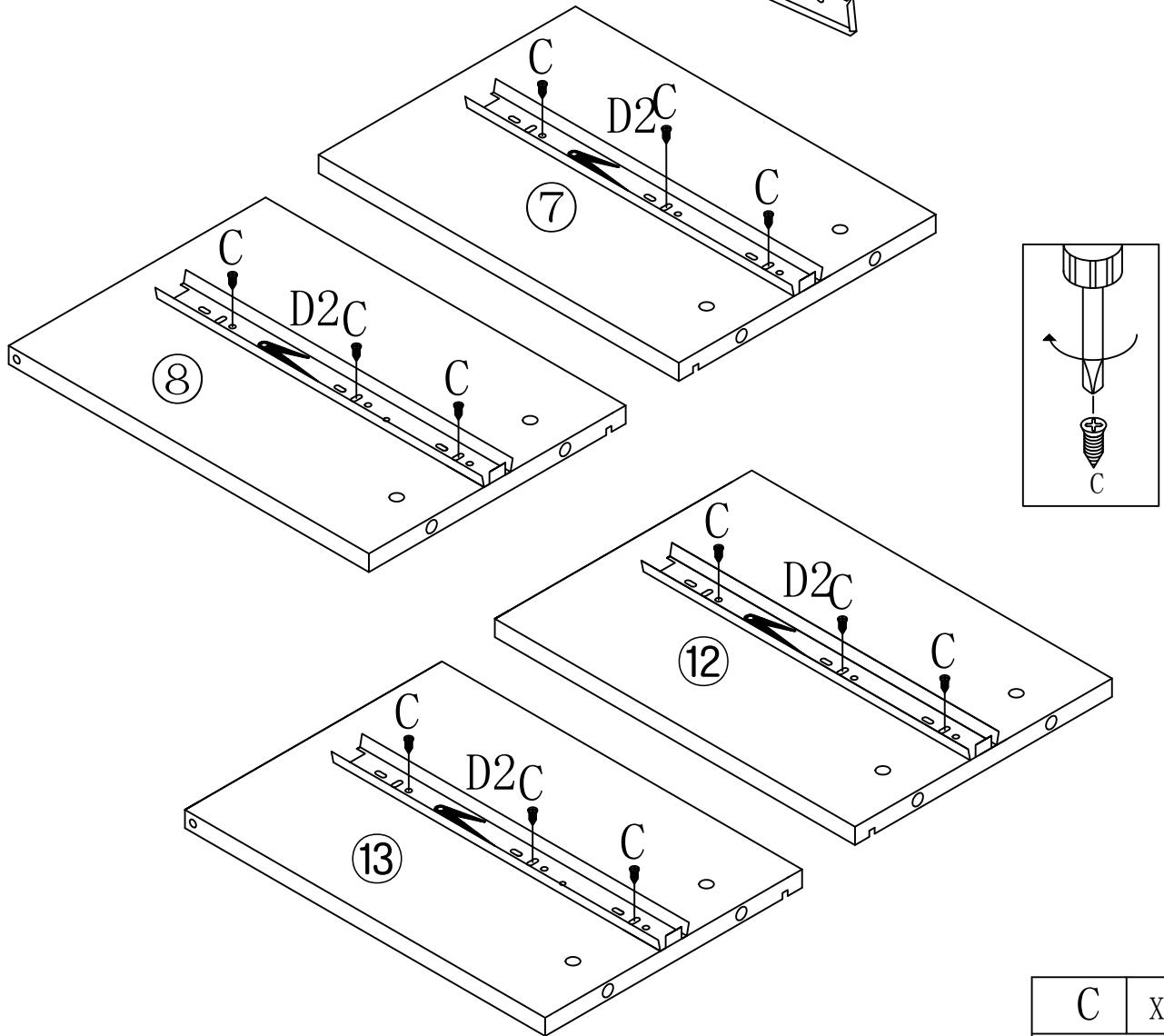
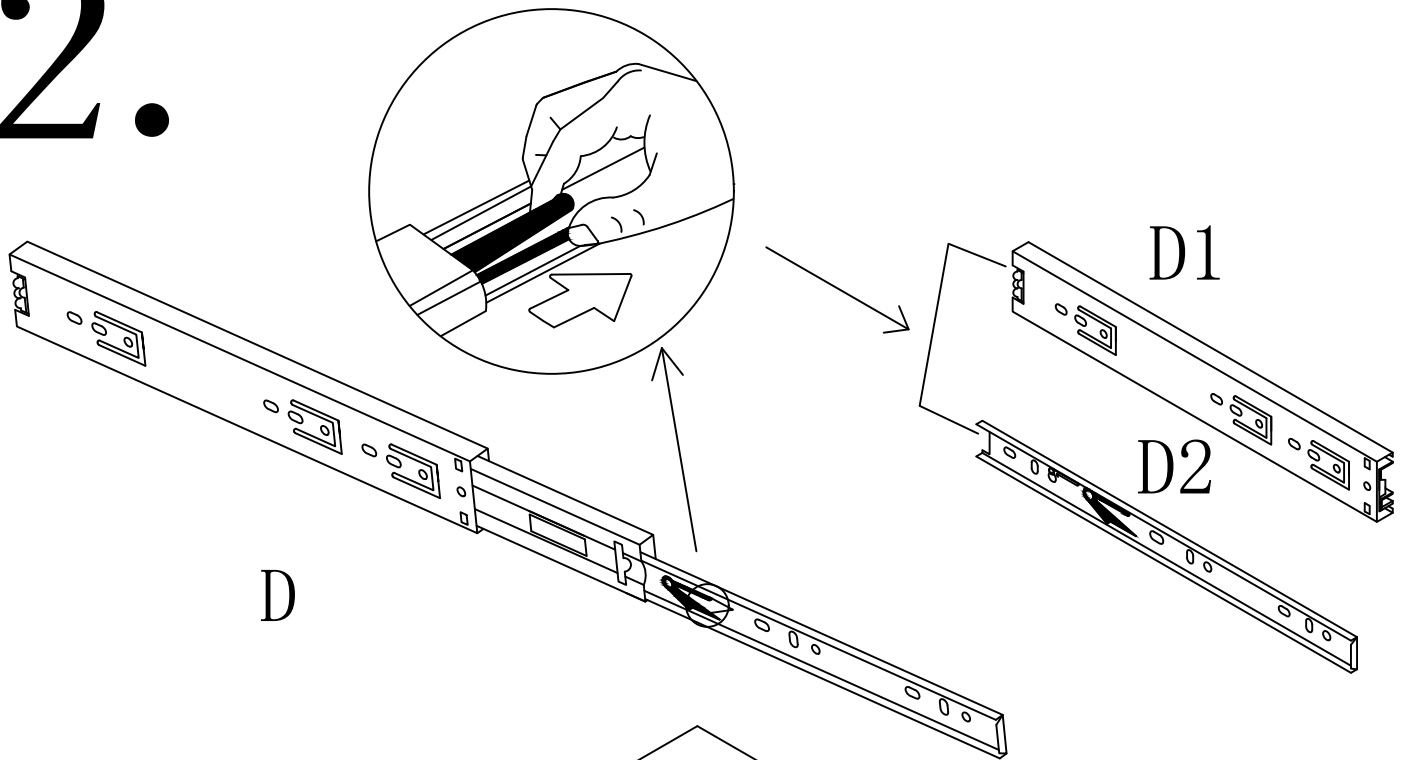
A	x28	B	x28	C	x28	D	x4	E	x4	F	x2	G	x4
													
Φ 6*35mm		Φ 15*12mm		Φ 3.5*13mm		L*300mm		Φ 6*340mm		15*180mm		25*25mm	

1.




A	X28
	
Φ 6*35mm	

2.

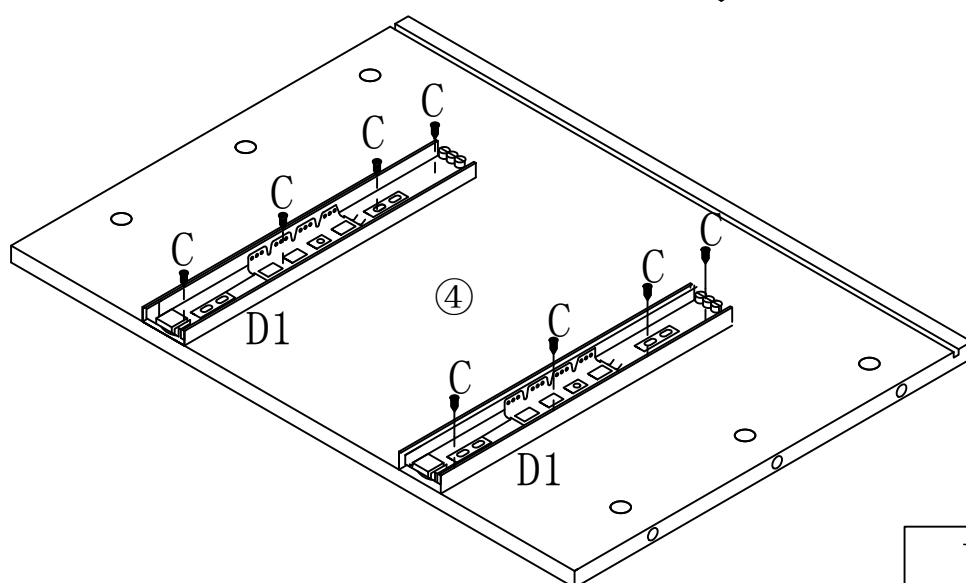
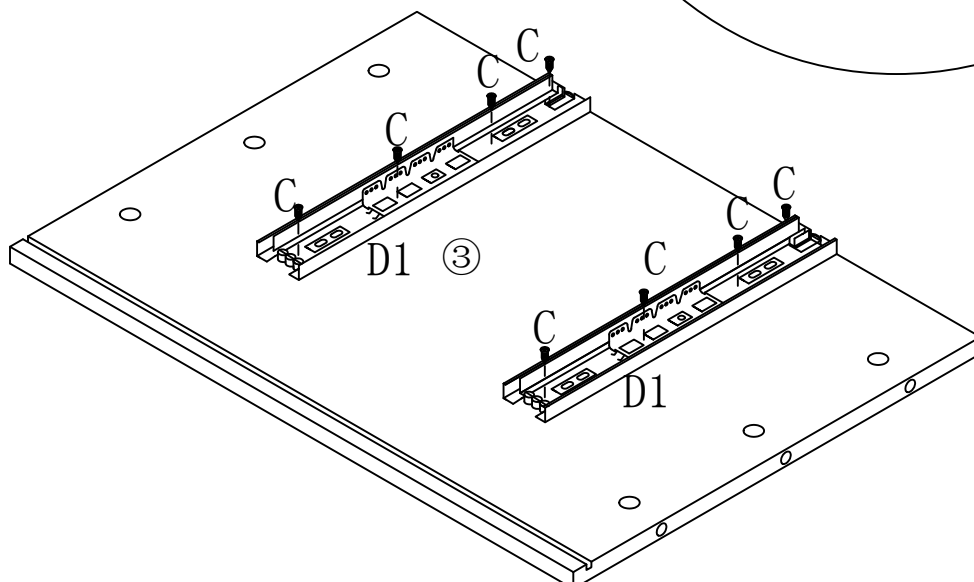
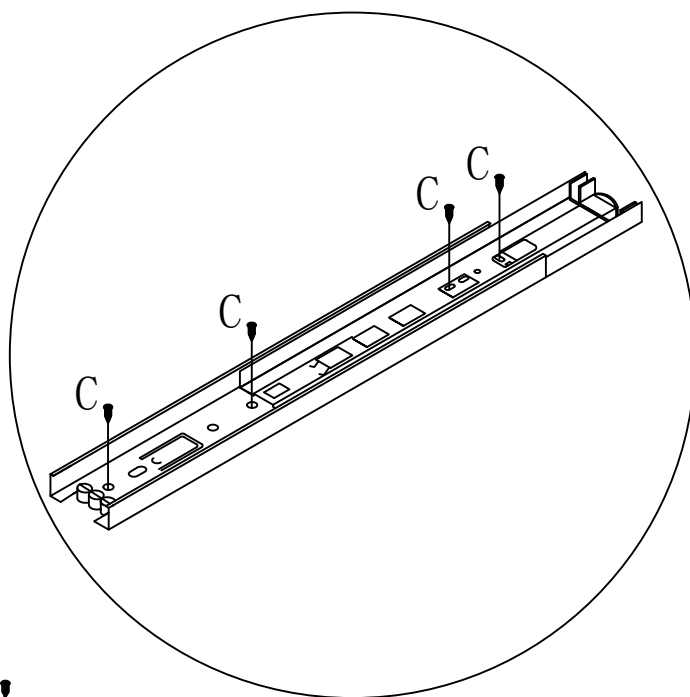


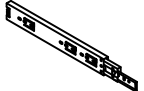

Note: for the oval flat screw hole, screws must be fixed in the middle

C	X12
	
$\Phi 3.5 \times 13\text{mm}$	

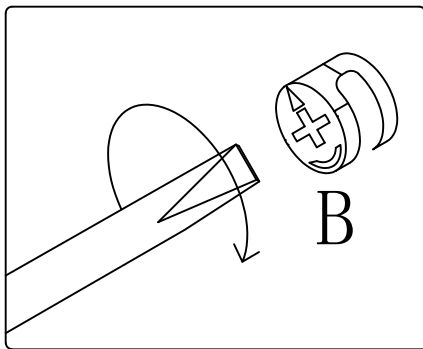
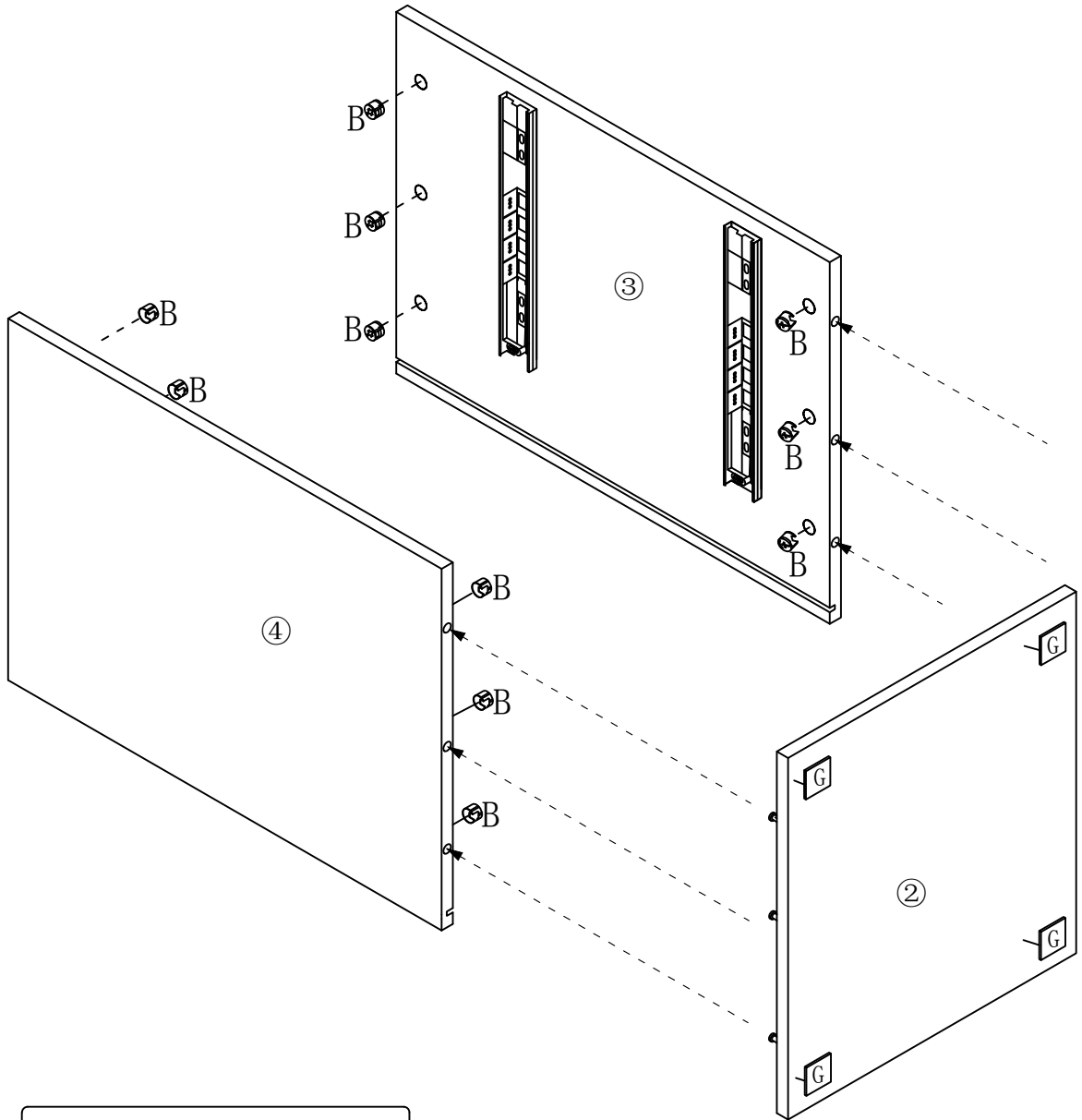
3.


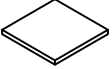
Note: move the inner slide a little to expose screw holes



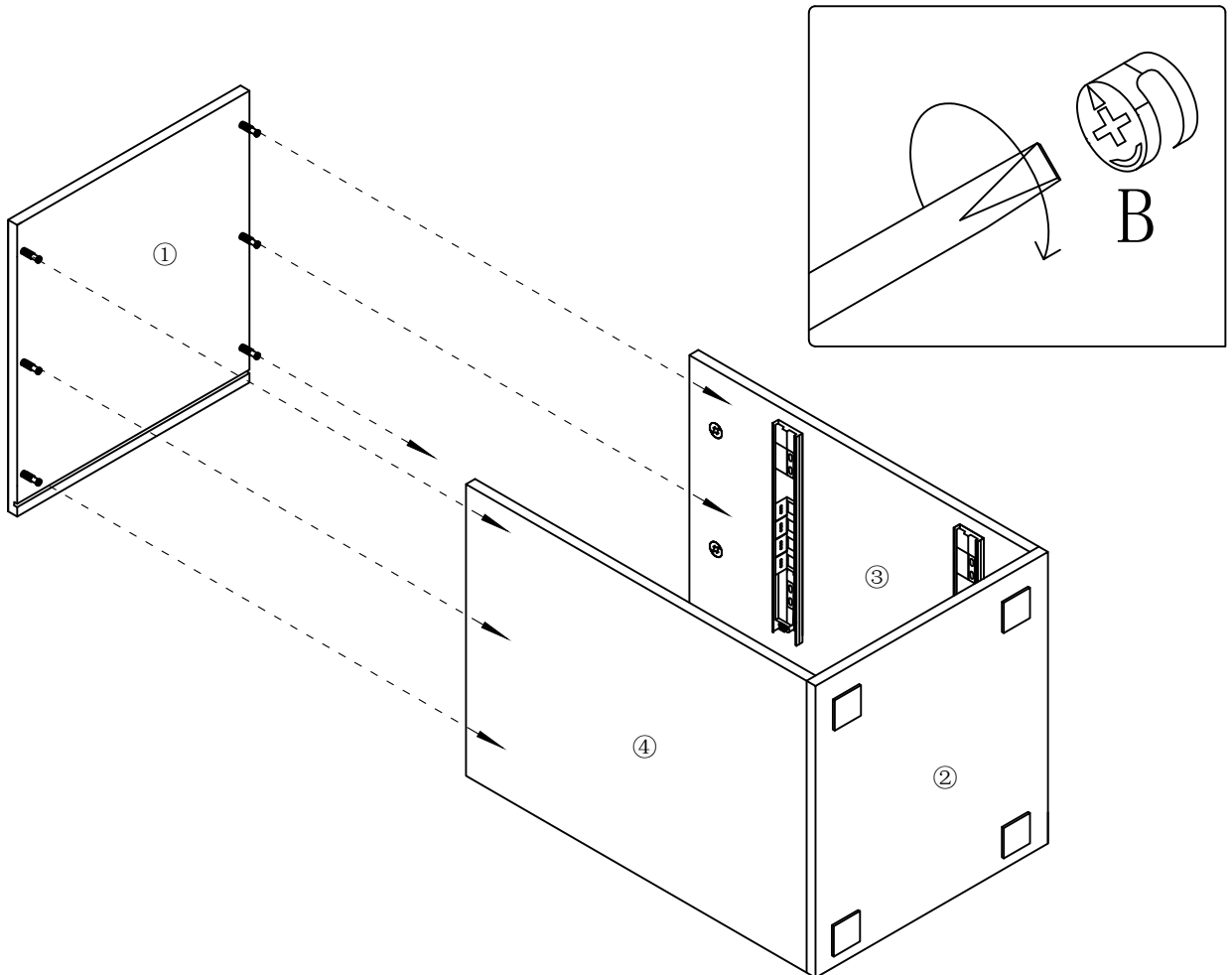
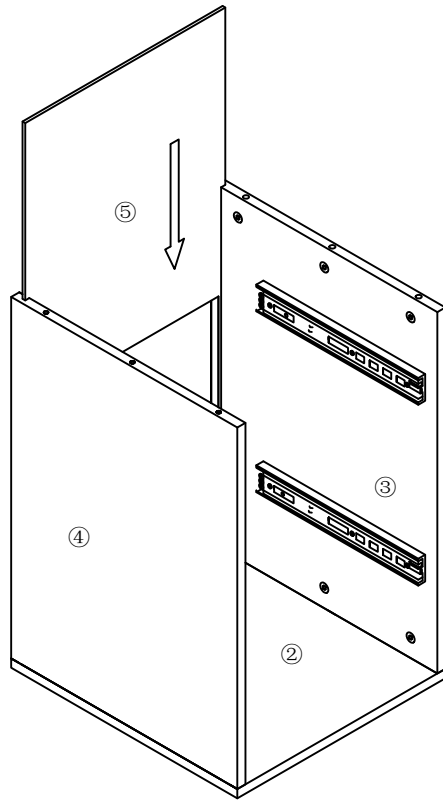
D	X4	C	X16
			
L*300mm		Φ 3.5*13mm	

4.

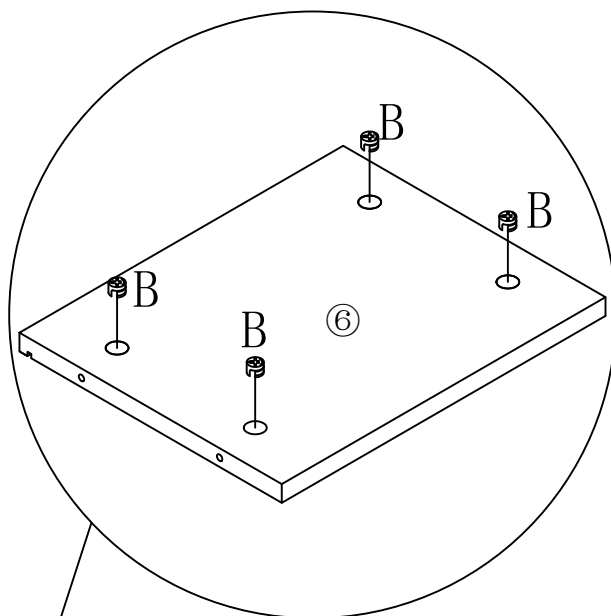
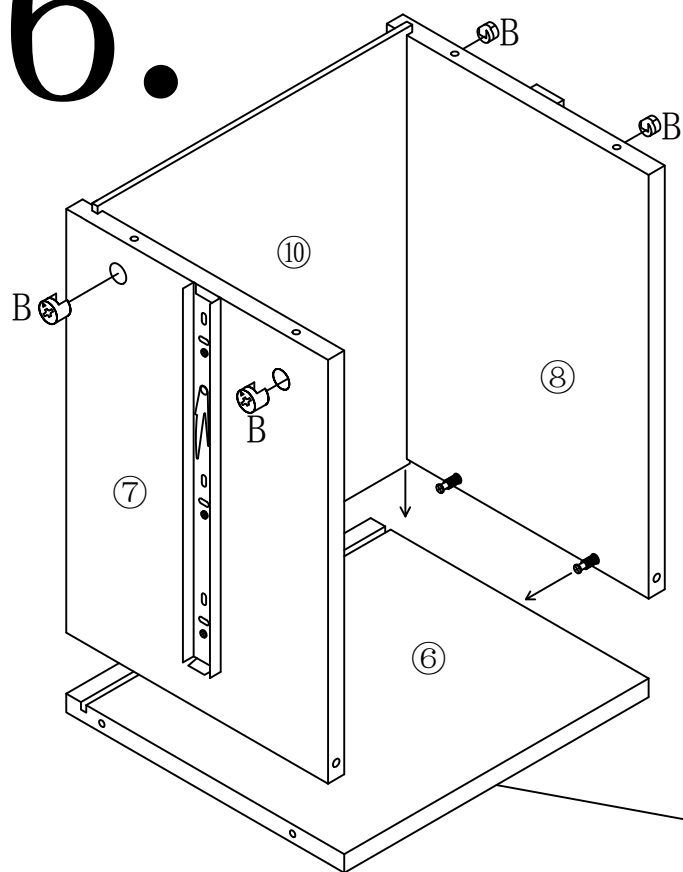



B	X12	G	X4
			
Φ15*12mm		M25*25mm	

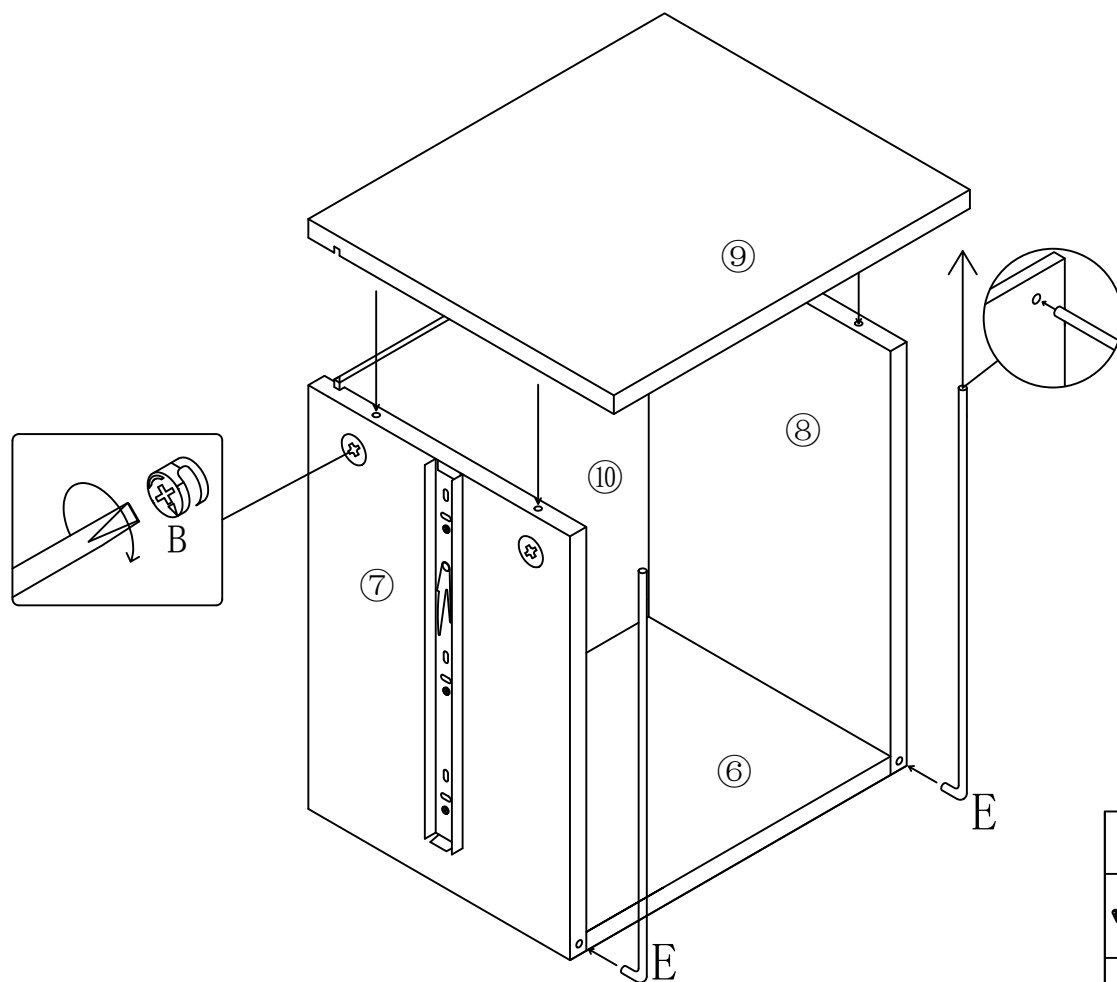
5.




6.

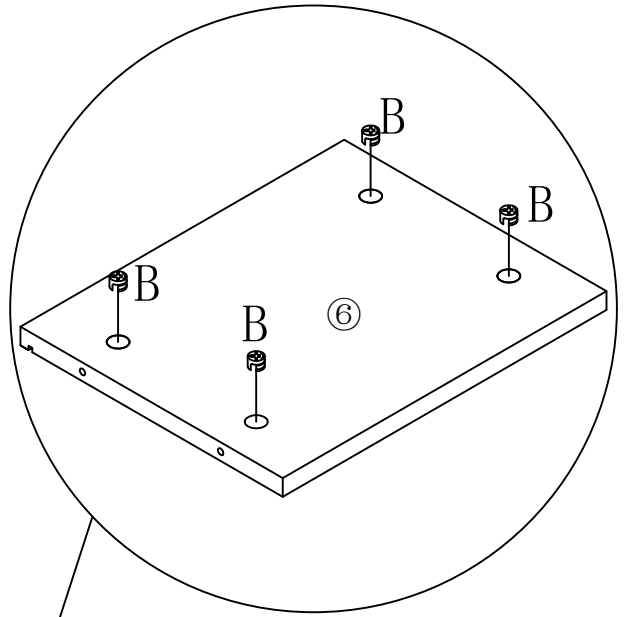
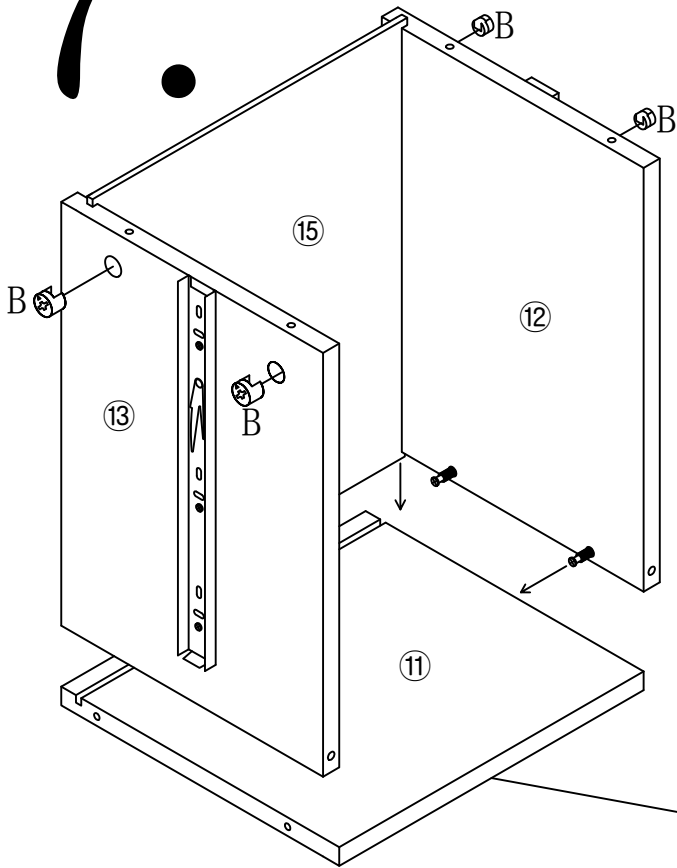



B	X8
	
Φ 15*12mm	

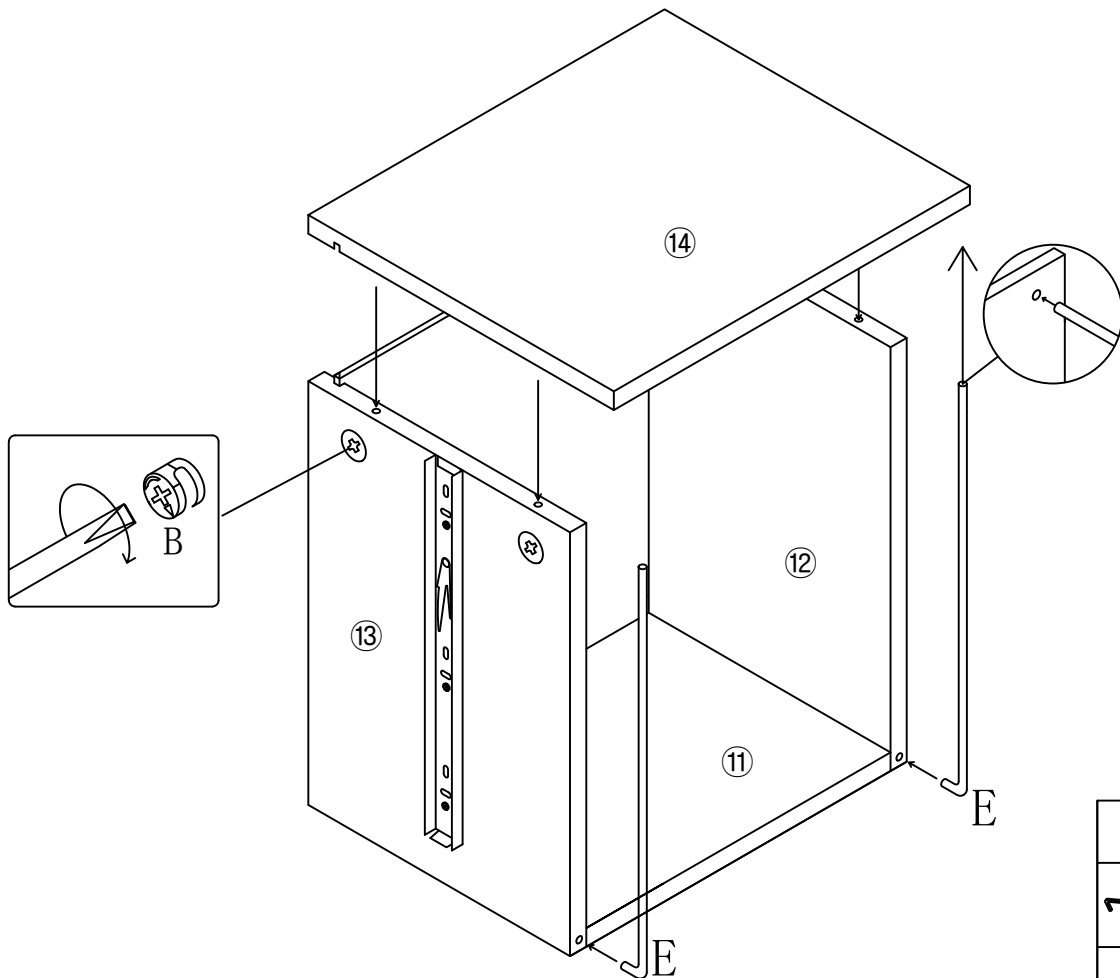



E	X2
	
Φ 6*340mm	

7.

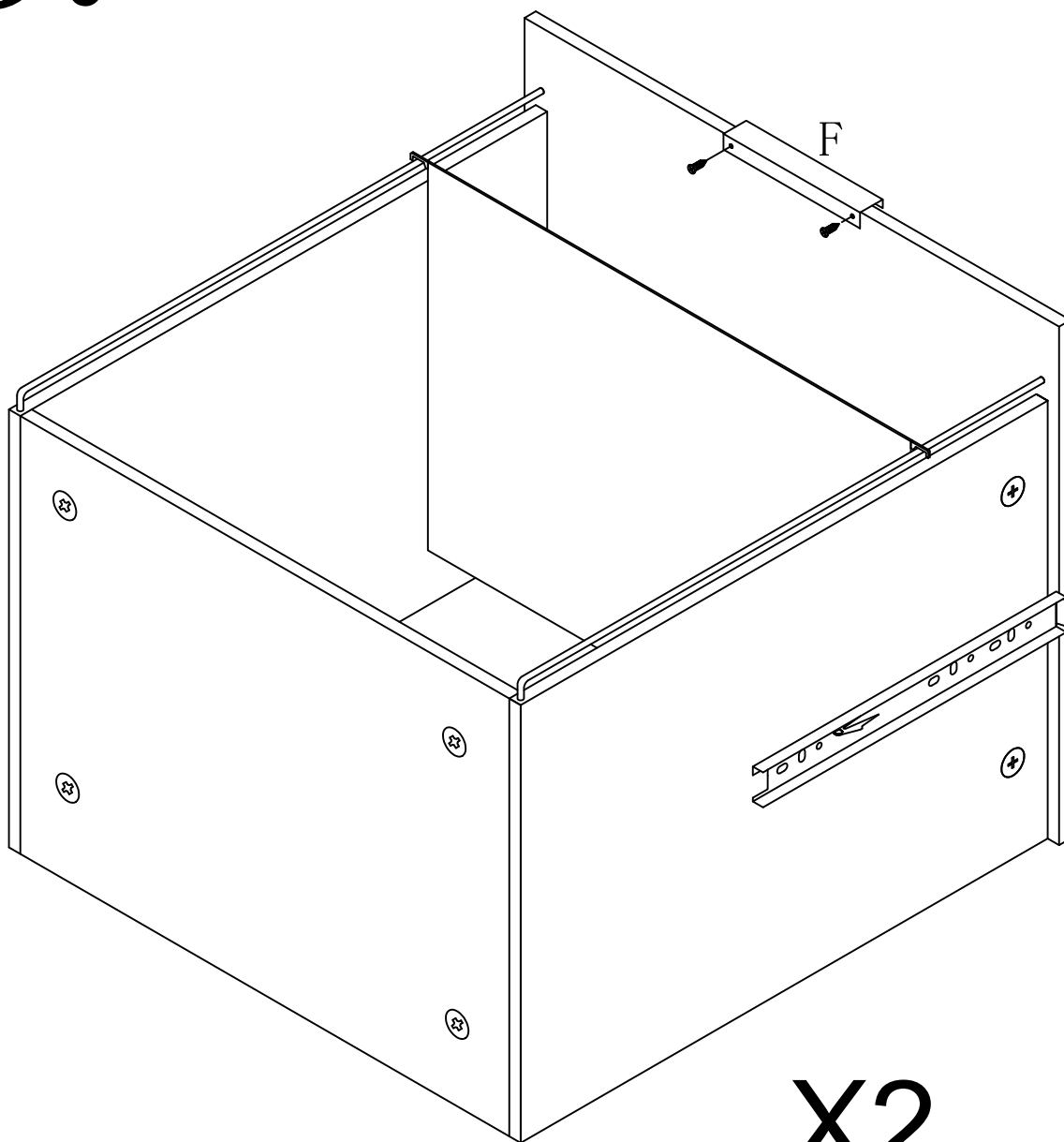


B	X8
	
$\Phi 15*12\text{mm}$	

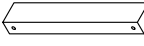



E	X2
	
$\Phi 6*340\text{mm}$	

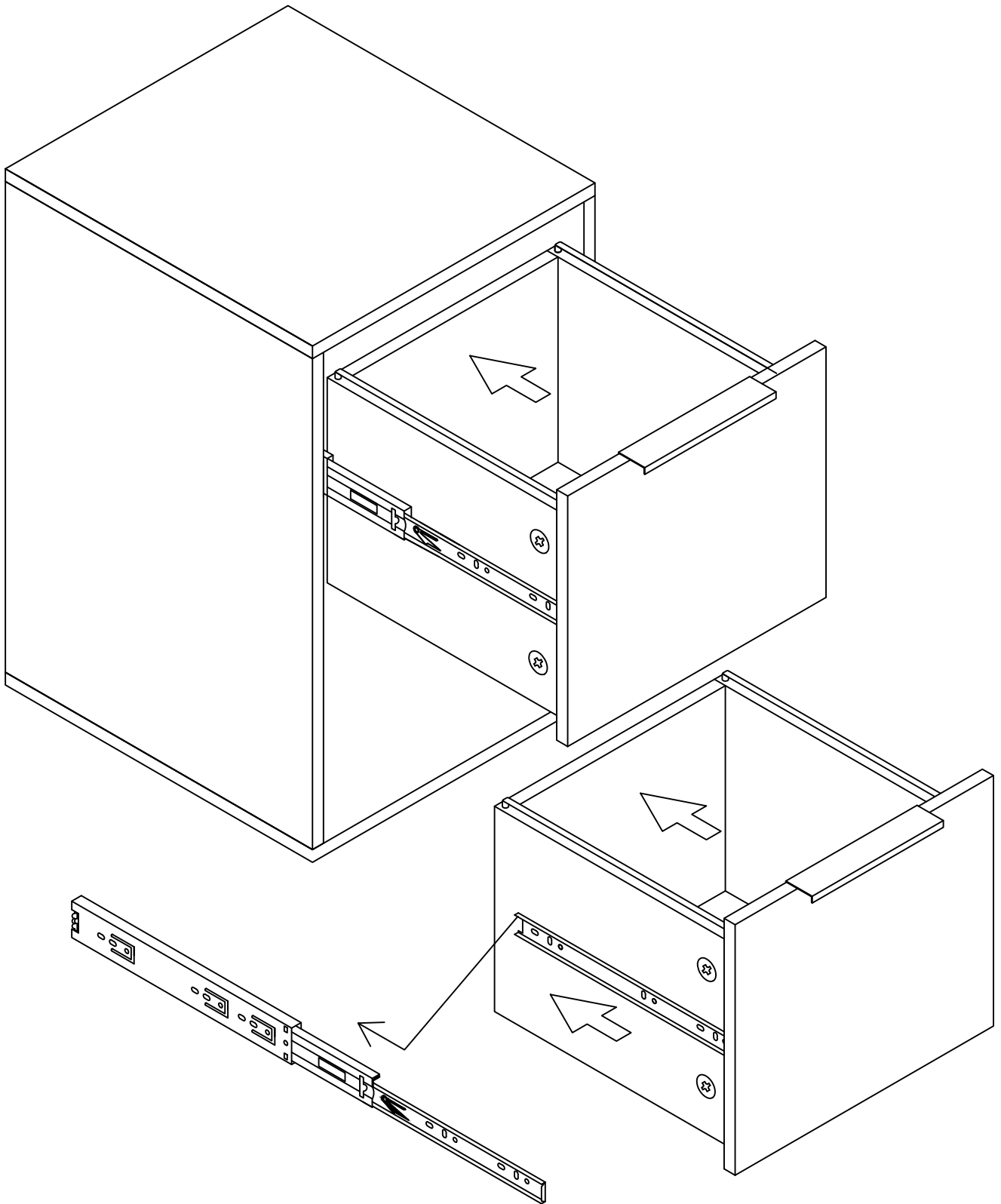
8.



X2

F	X2
	
15*180mm	

9.



10.

