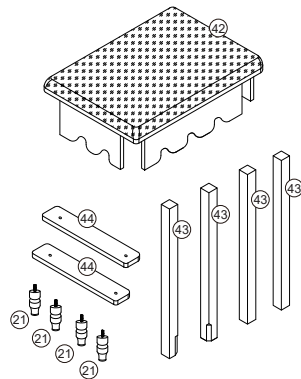
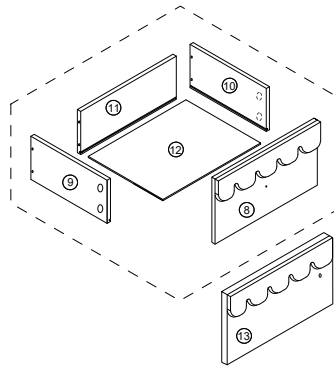
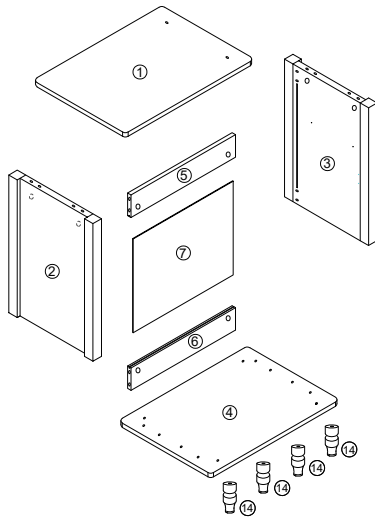
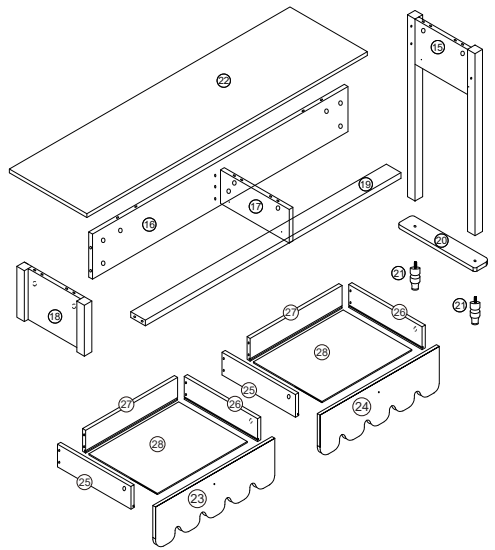
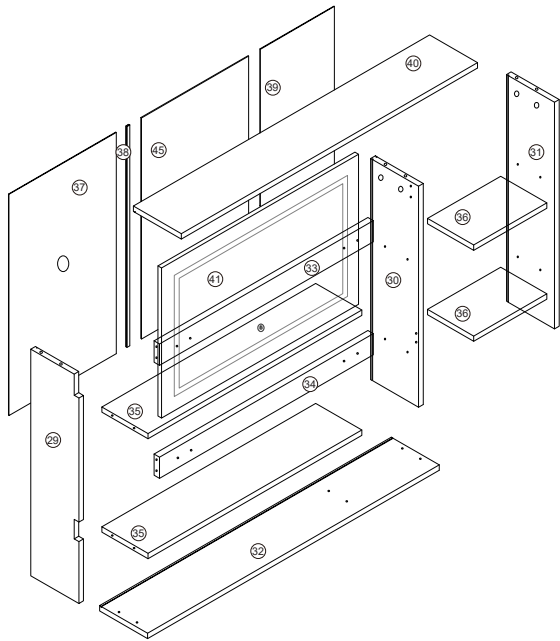
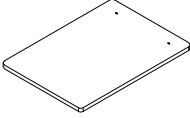
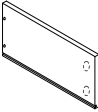
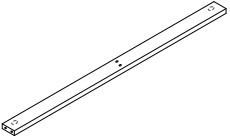
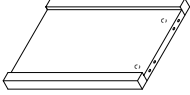
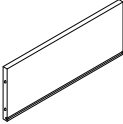

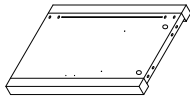
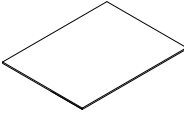

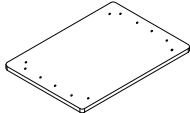
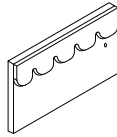
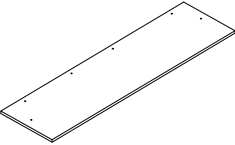
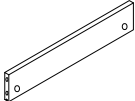

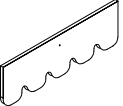
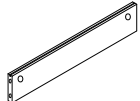

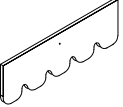
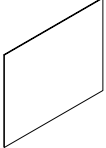
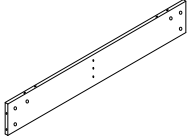
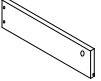
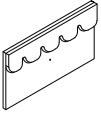
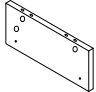
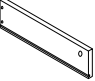
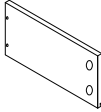
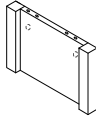
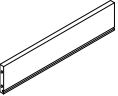


INSTALLATION INSTRUCTIONS

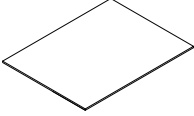
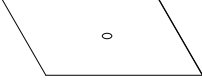
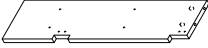

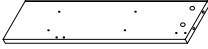

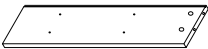
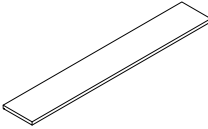
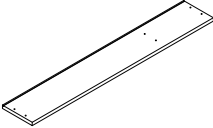
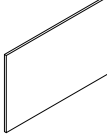
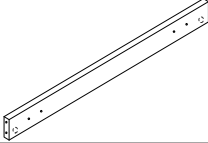
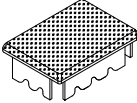
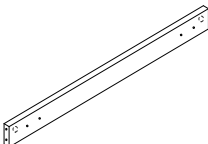

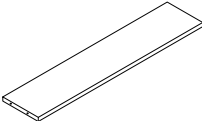
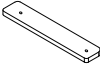
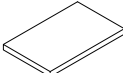



PARTS LIST

No.	Description	QTY	No.	Description	QTY	No.	Description	QTY
①		1	⑩		1	⑲		1
②		1	⑪		1	⑳		1
③		1	⑫		1	㉑		6
④		1	⑬		1	㉒		1
⑤		1	⑭		4	㉓		1
⑥		1	⑮		1	㉔		1
⑦		1	⑯		1	㉕		2
⑧		1	⑰		1	㉖		2
⑨		1	⑱		1	㉗		2

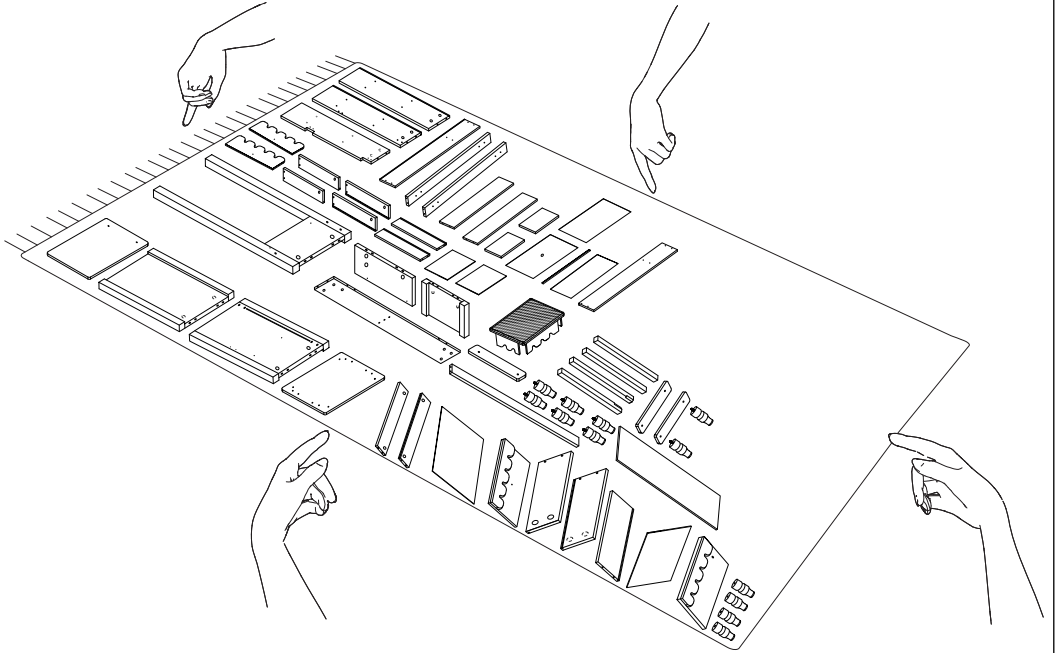
CAUTION: Please confirm the parts list before installtion

PARTS LIST

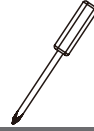
No.	Description	QTY	No.	Description	QTY	No.	Description	QTY
28		2	37		1			
29		1	38		1			
30		1	39		1			
31		1	40		1			
32		1	41		1			
33		1	42		1			
34		1	43		4			
35		2	44		2			
36		2	45		1			

Layout Parts on Soft Surface

Lay out all parts on a soft surface i.e. Rug, Carpet or Packaging Carton

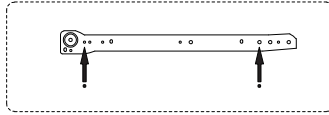


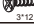
YOU MAY NEED (NOT SUPPLIED)



INSTALLATIONS

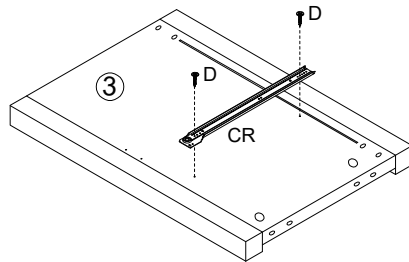
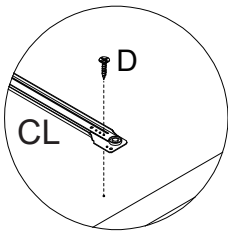
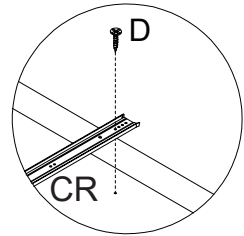
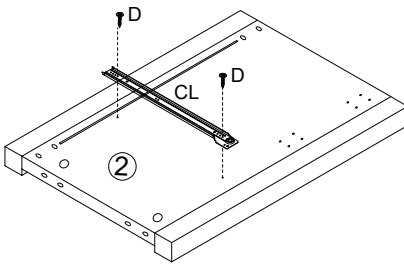
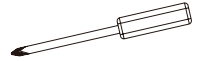
STEP 1






(D)  4 PCS

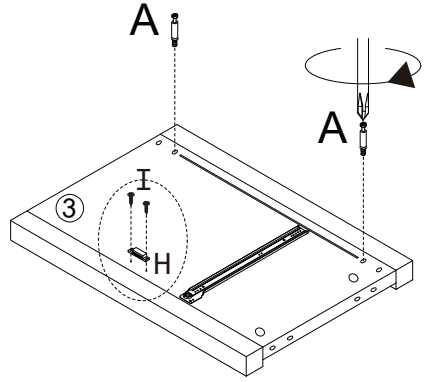
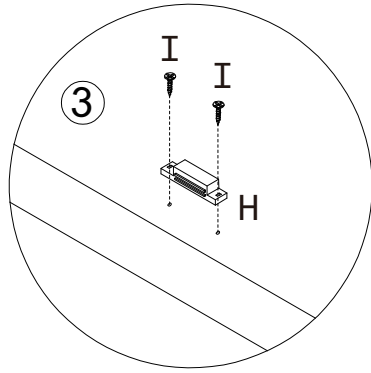
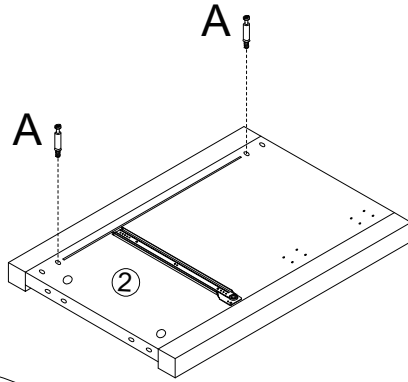
(CL)  1 PCS

(CR)  1 PCS





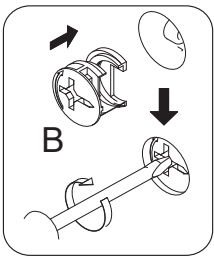
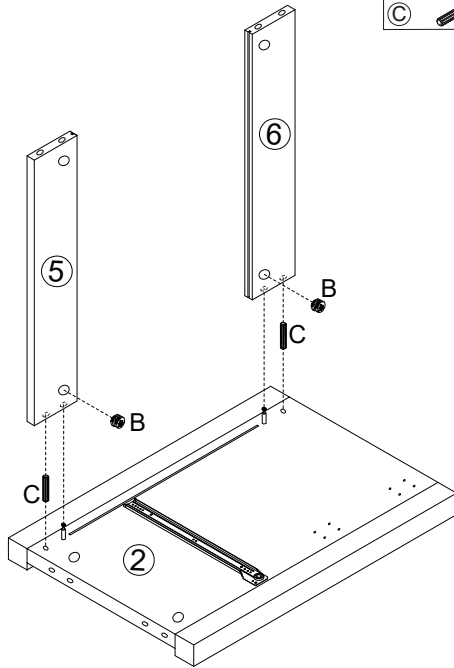
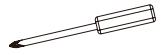
STEP 2

(A)		4 PCS
(H)		1 PCS
(I)		2 PCS

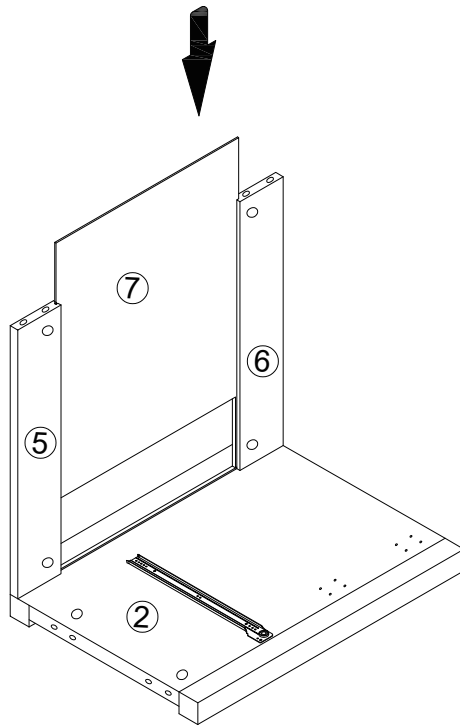


STEP 3

(B)		2 PCS
(C)		2 PCS

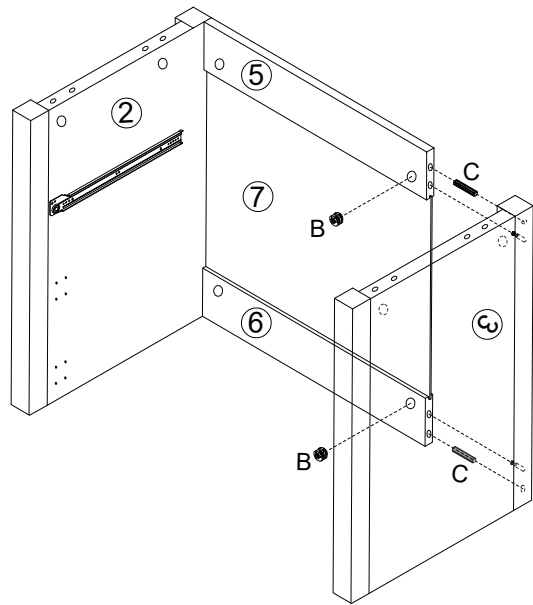
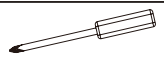


STEP 4



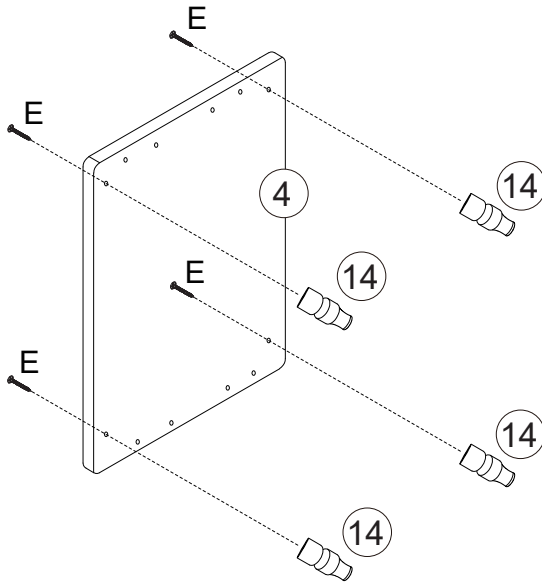
STEP 5

- (B)  2 PCS
- (C)  2 PCS





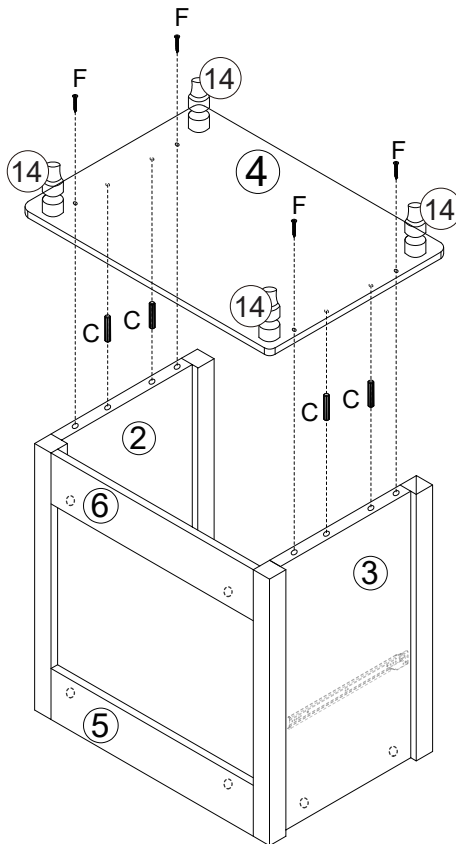
STEP 6

(E)  4 PCS
5*50






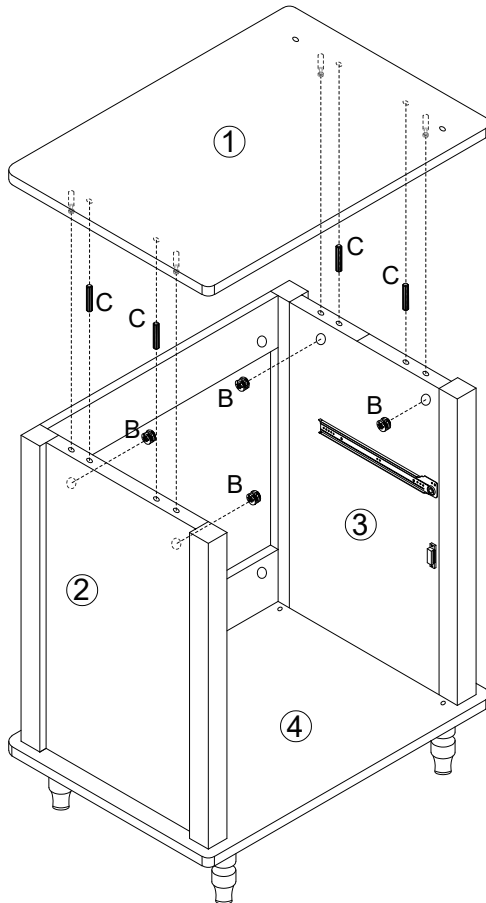
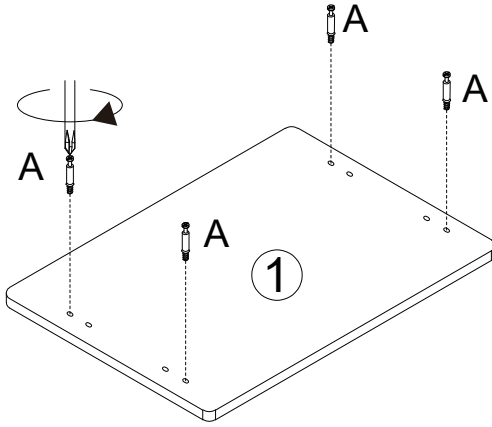
STEP 7

(C)  4 PCS
(F)  4 PCS
4*30



STEP 8

- (A)  4 PCS
- (B)  4 PCS
- (C)  4 PCS

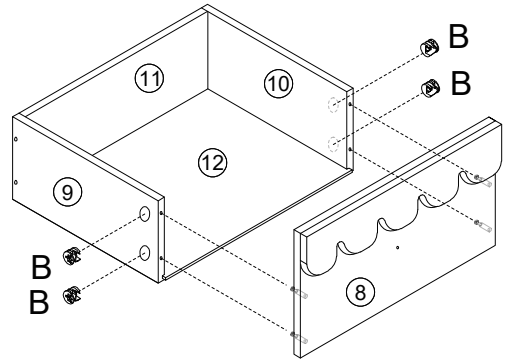
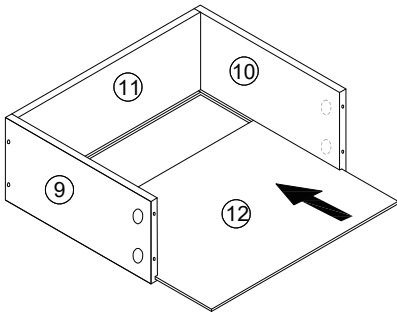
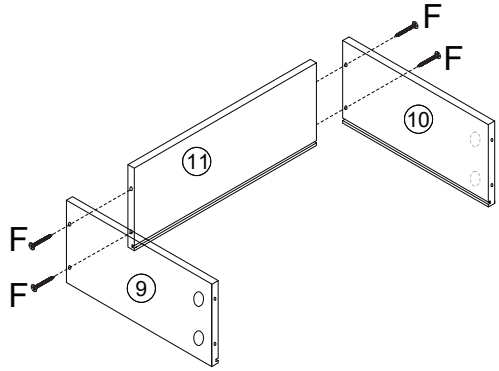
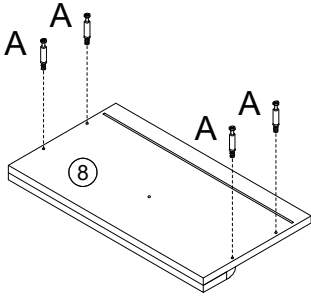


STEP 9

A  4 PCS

B  4 PCS

F  4 PCS

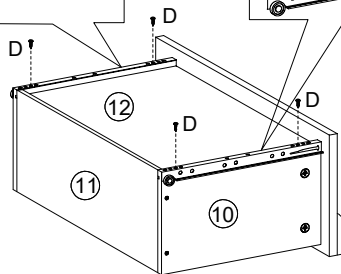
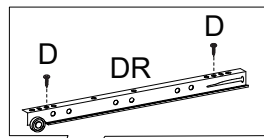
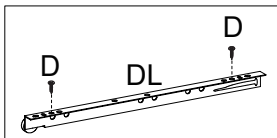
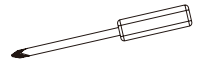


STEP 10


D  4 PCS

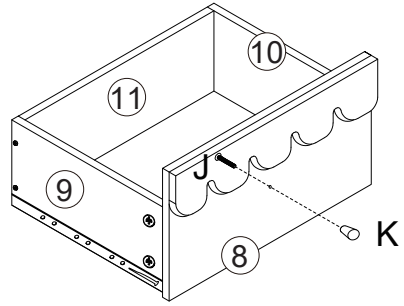
DL  1 PCS

DR  1 PCS









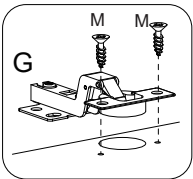
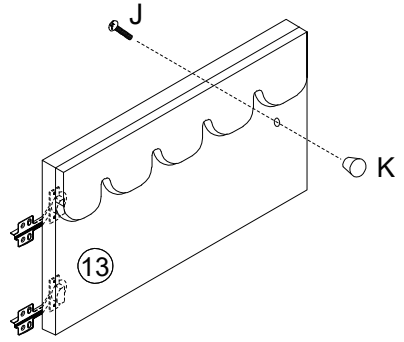
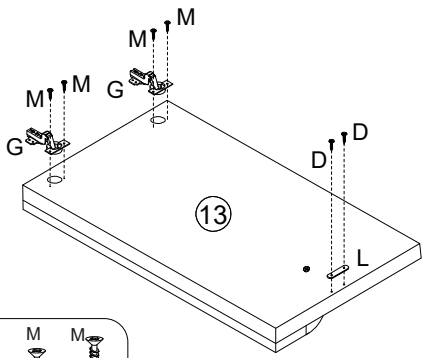
STEP 11

(J)		4*16	1 PCS
(K)			1 PCS

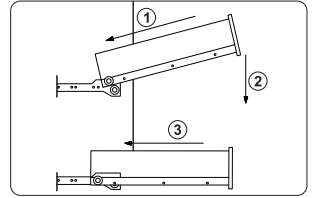
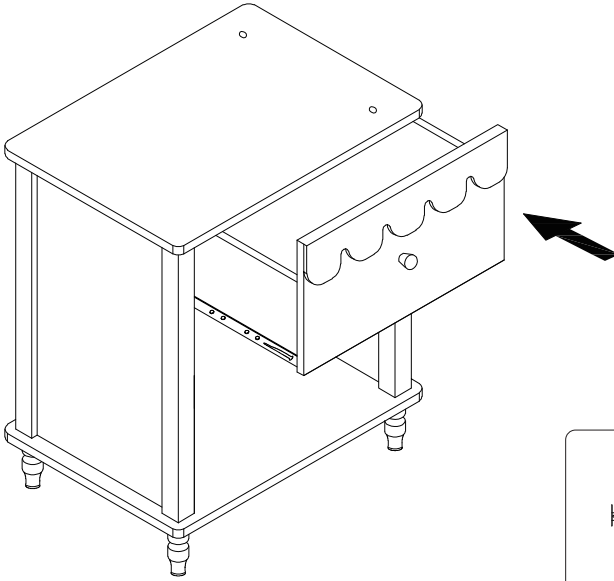


STEP 12

(D)		5*12	2 PCS	(G)		2 PCS	(J)		4*16	1 PCS
(K)			1 PCS	(L)		1 PCS	(M)		4*12	4 PCS

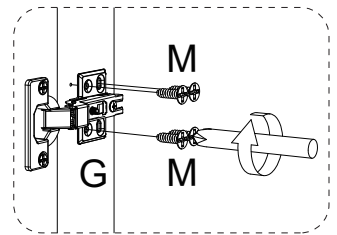
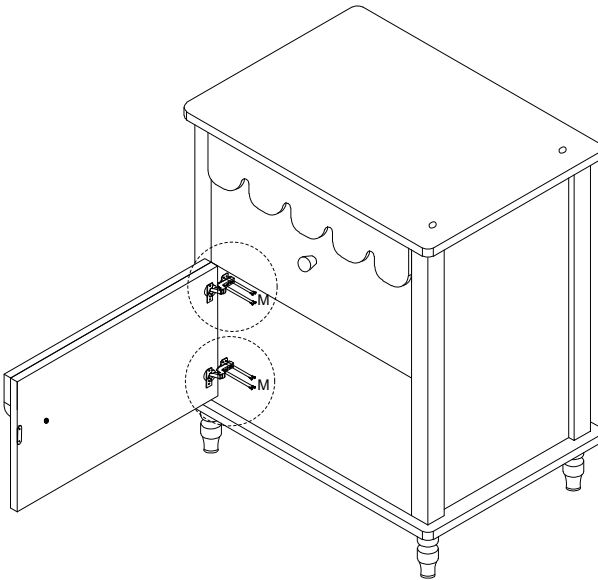


STEP 13

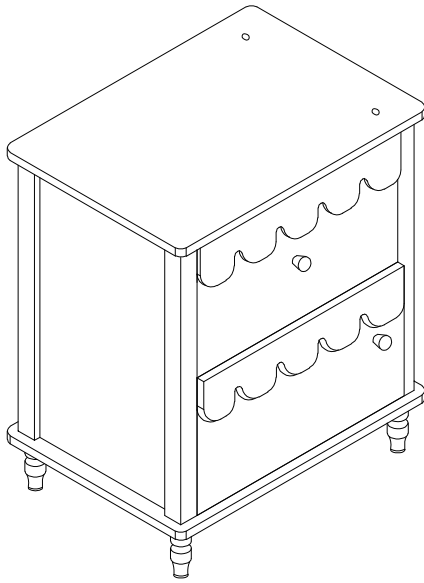


STEP 14

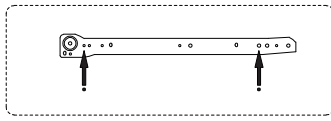
(M)  4*12 8 PCS



STEP 15



STEP 16

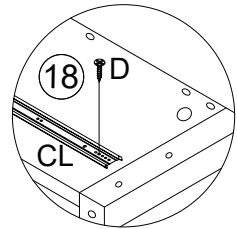
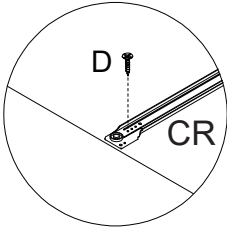
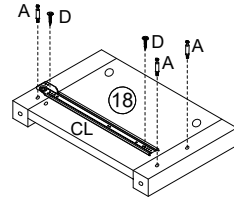
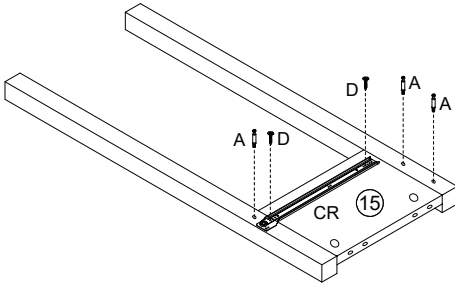


(A)  6 PCS

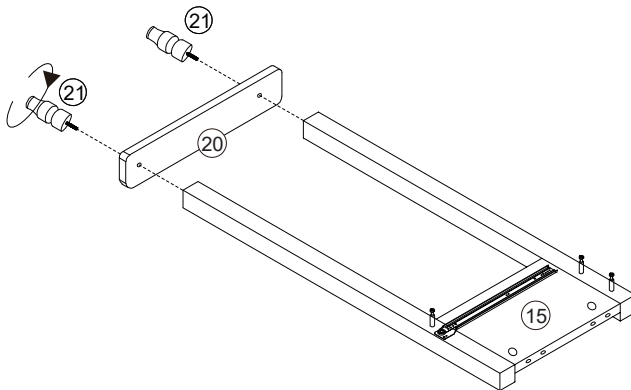
(D)  4 PCS

(CL)  1 PCS




(CR)  1 PCS

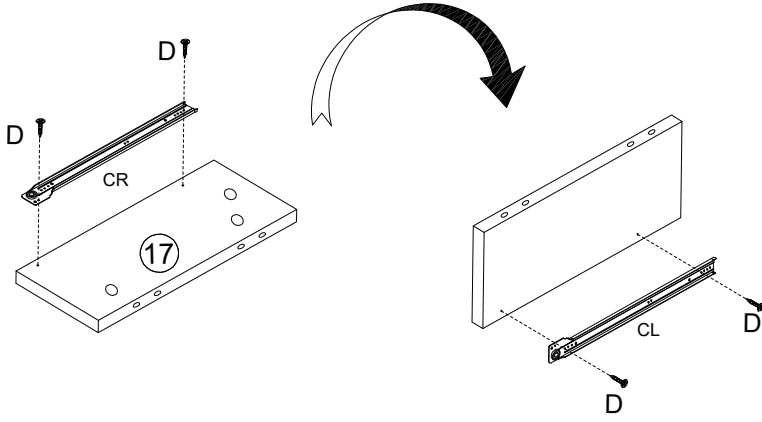


STEP 17

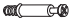


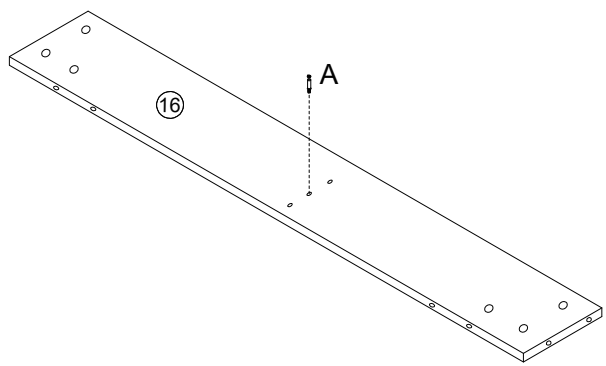
STEP 18

(D)		4 PCS
(CL)		1 PCS
(CR)		1 PCS



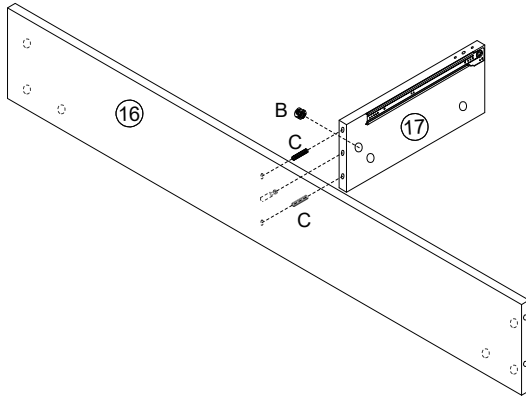
STEP 19

(A)		1 PCS
-----	---	-------

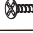



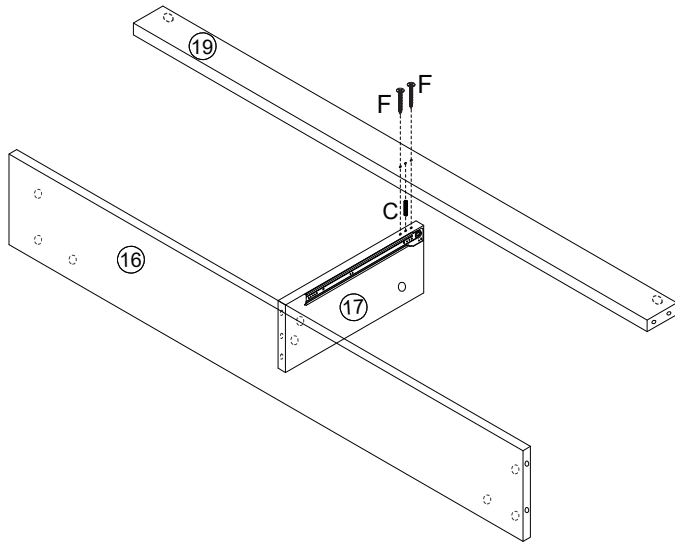
STEP 20

- (B)  1 PCS
- (C)  2 PCS

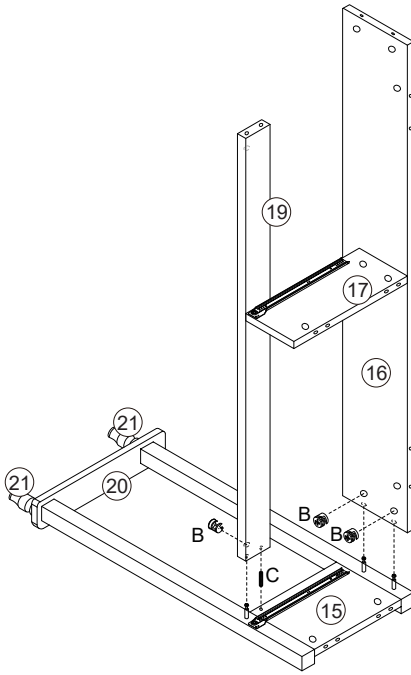


STEP 21

- (F)  2 PCS
- (C)  1 PCS



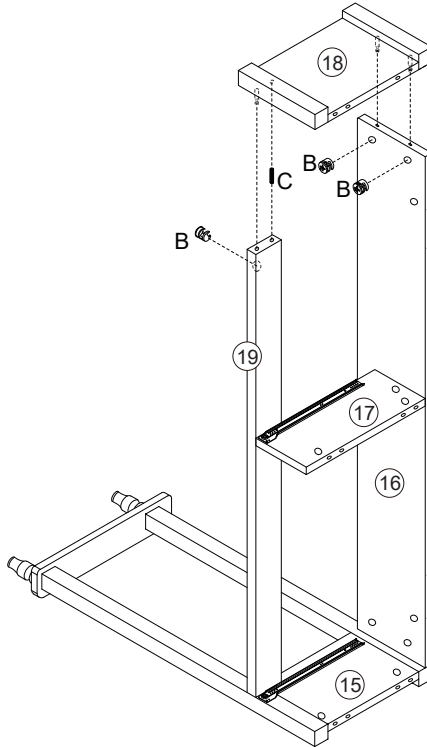
STEP 22



(B)  3 PCS

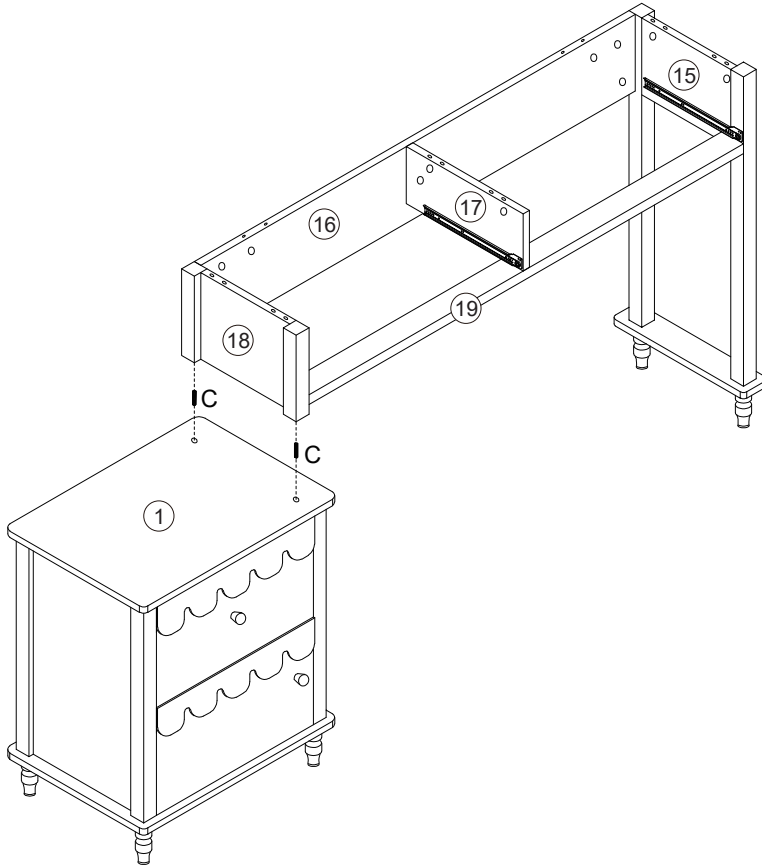
(C)  1 PCS

STEP 23



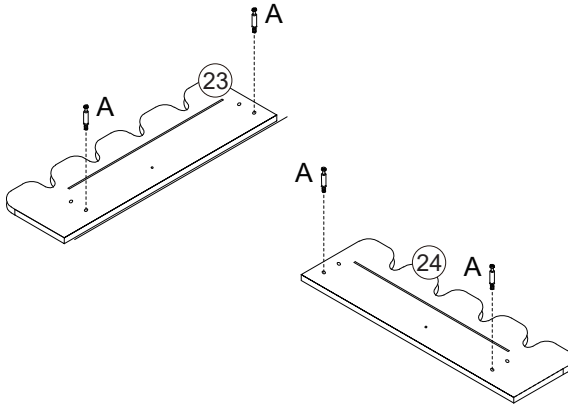
(B)  3 PCS

(C)  1 PCS



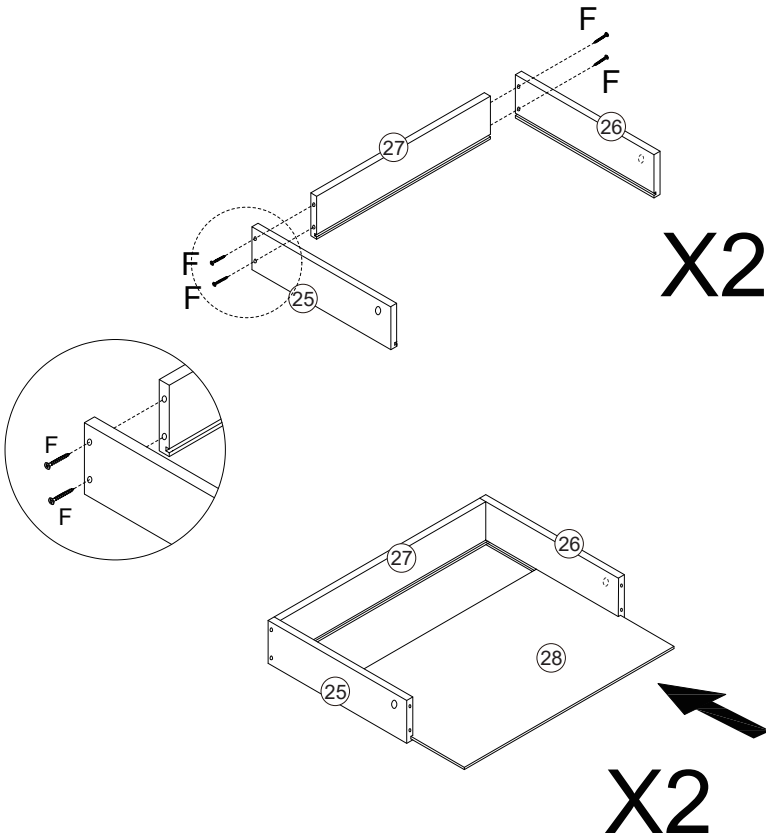
STEP 25

(A)  4 PCS







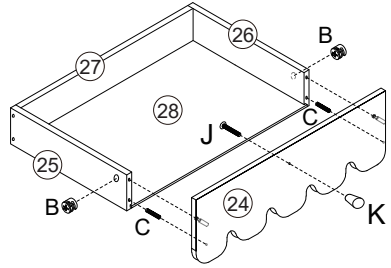
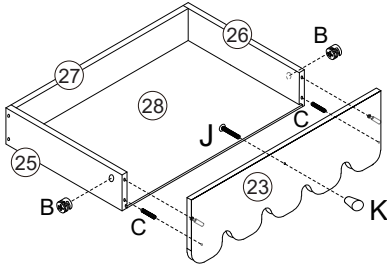
STEP 26

(F)  8 PCS






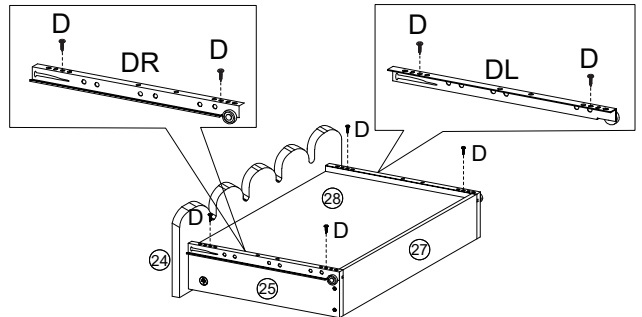
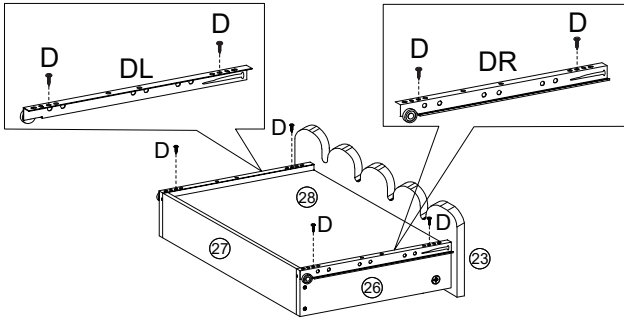
STEP 27

B		4 PCS	C		4 PCS
J		2 PCS	K		2 PCS

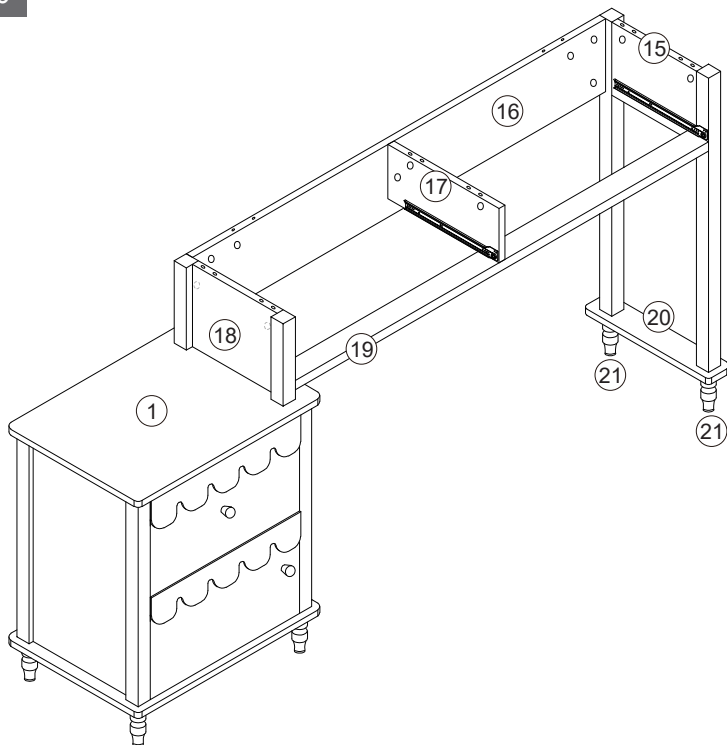


STEP 28


D		8 PCS
DL		2 PCS
DR		2 PCS

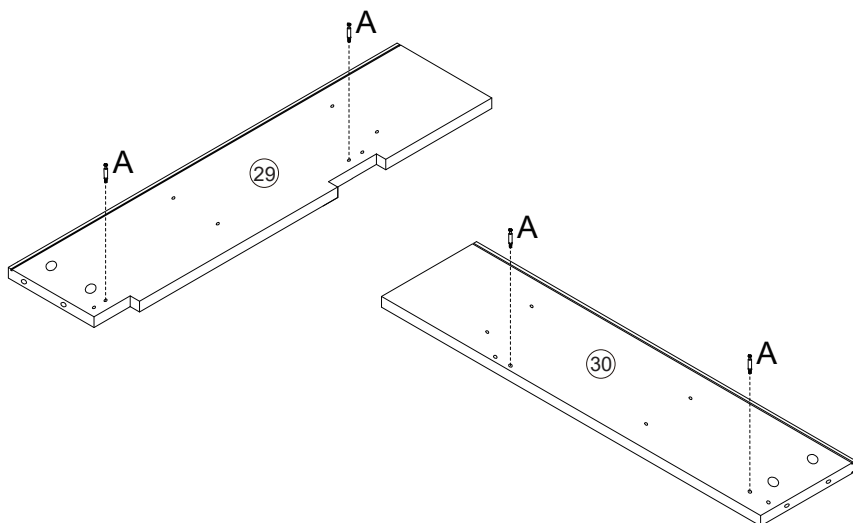


STEP 29

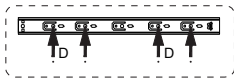


STEP 30

(A)  4 PCS



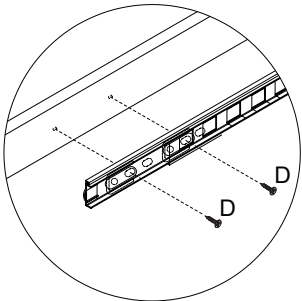
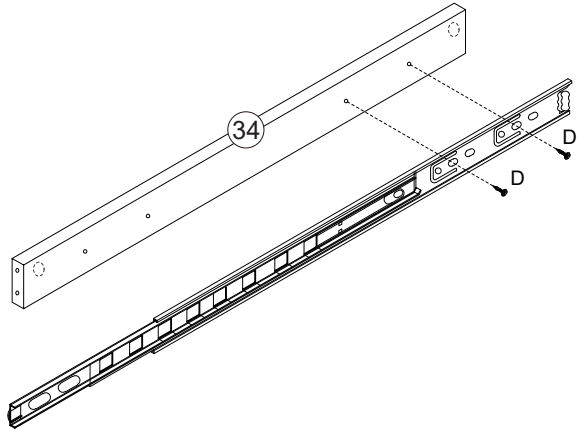
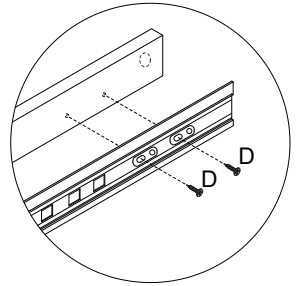
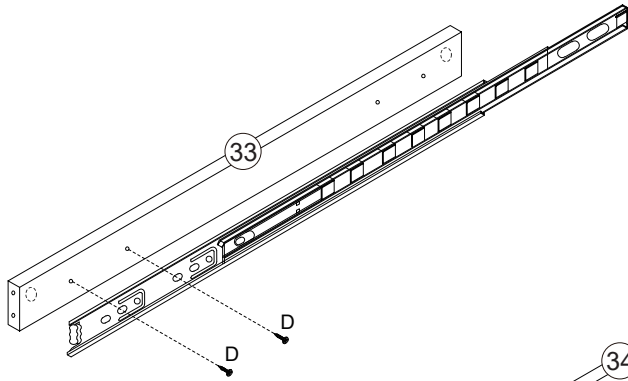
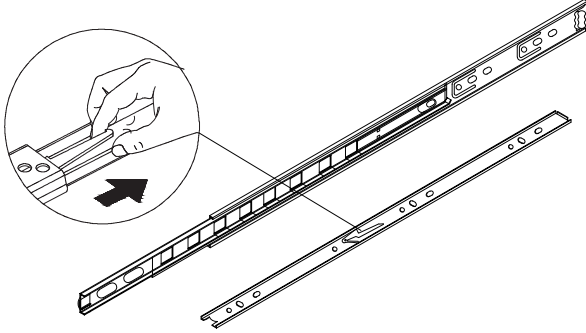
STEP 31



8 PCS

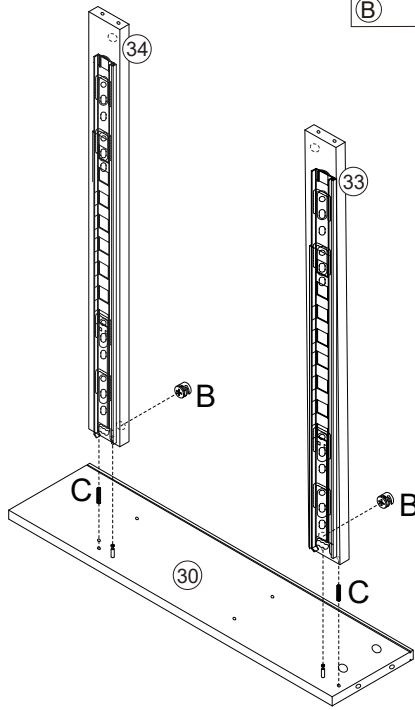


2 PCS



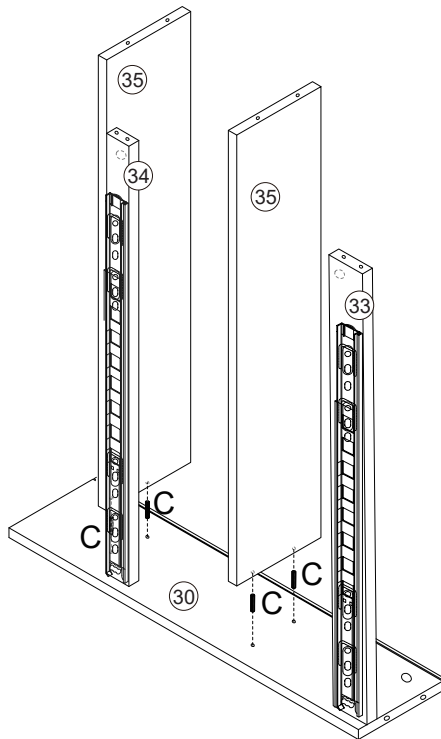
STEP 32

(B)  2 PCS (C)  2 PCS



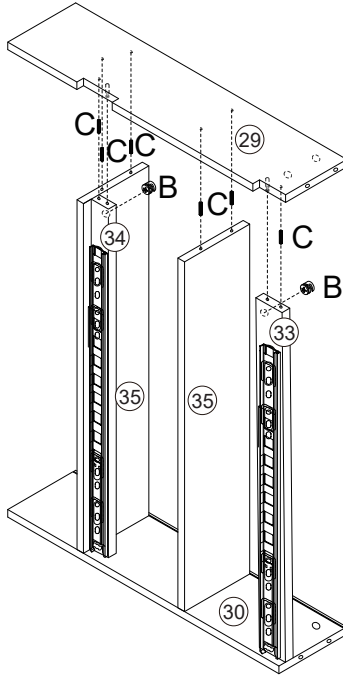
STEP 33

(C)  4 PCS



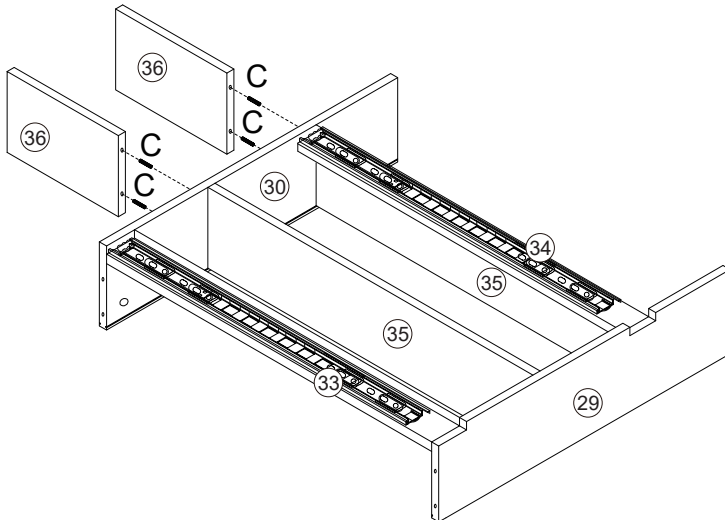
STEP 34

(B)  2 PCS (C)  6 PCS



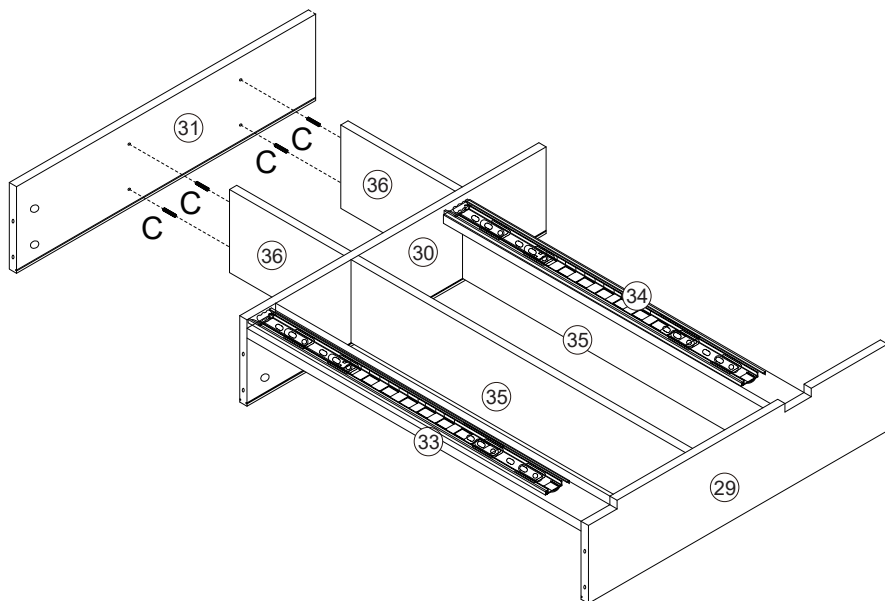
STEP 35

(C)  4 PCS



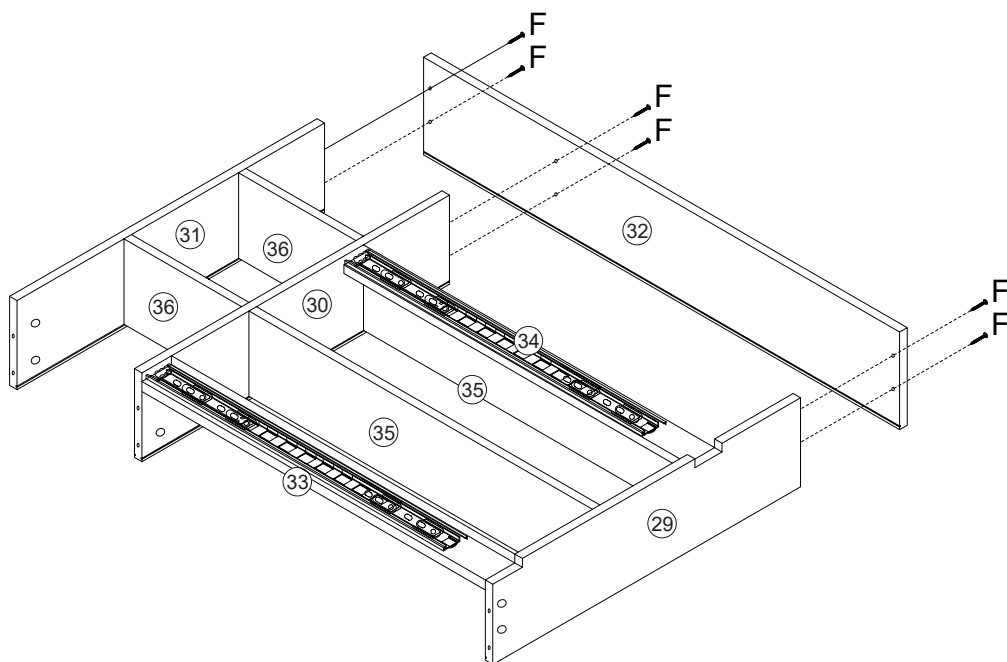
STEP 36

Ⓒ  4 PCS

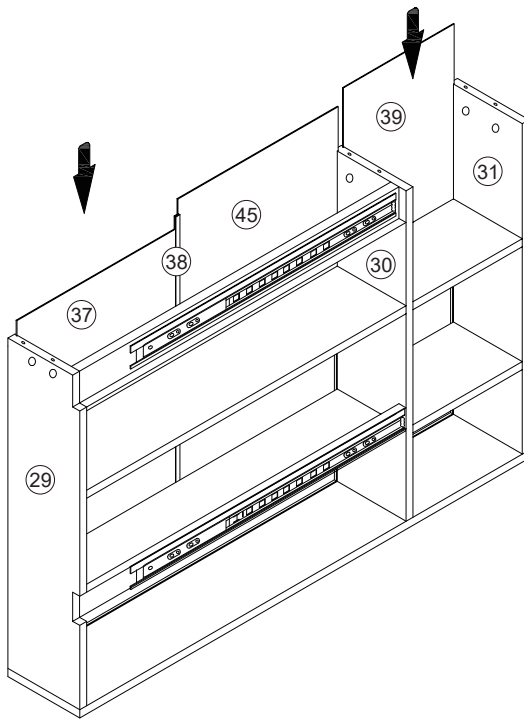
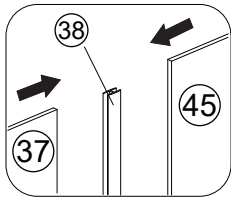


STEP 37

Ⓕ  6 PCS

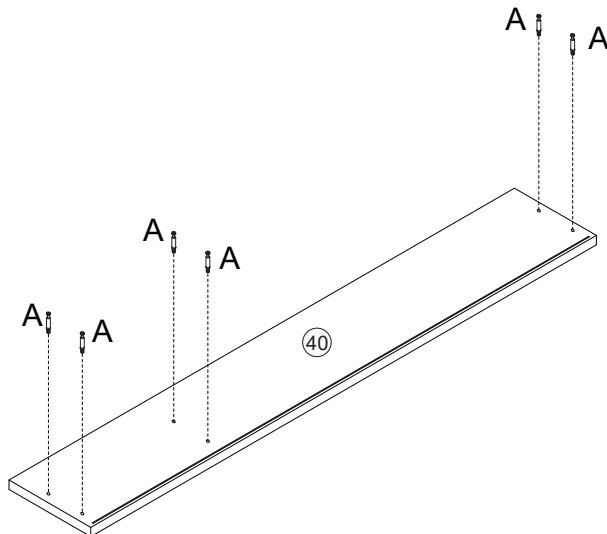


STEP 38



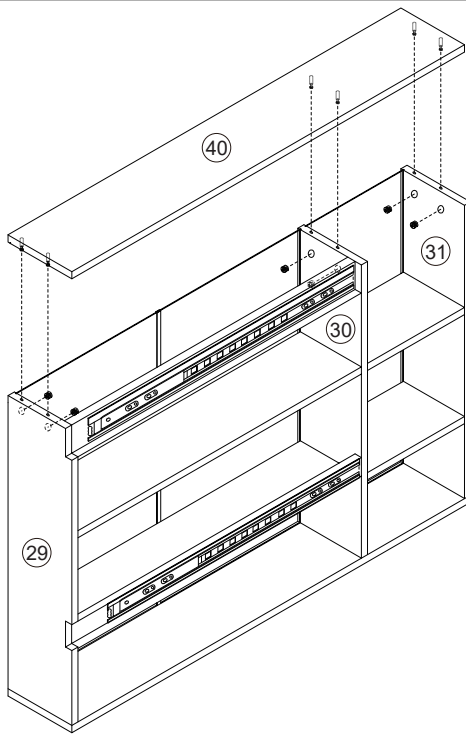
STEP 39

(A)  6 PCS



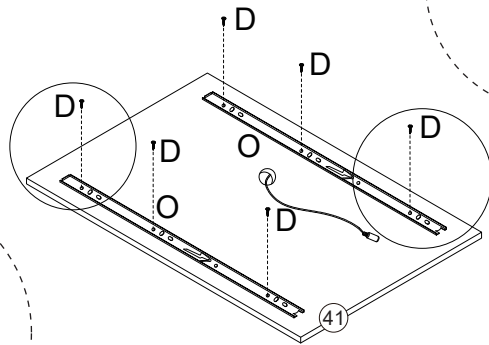
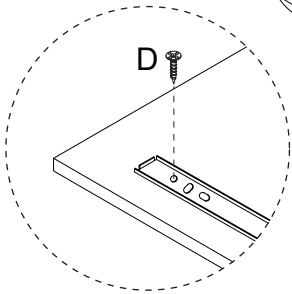
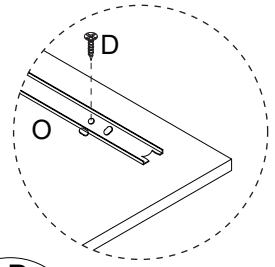
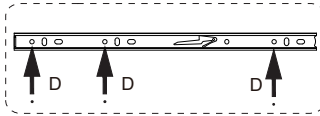
STEP 40

(B)  6 PCS

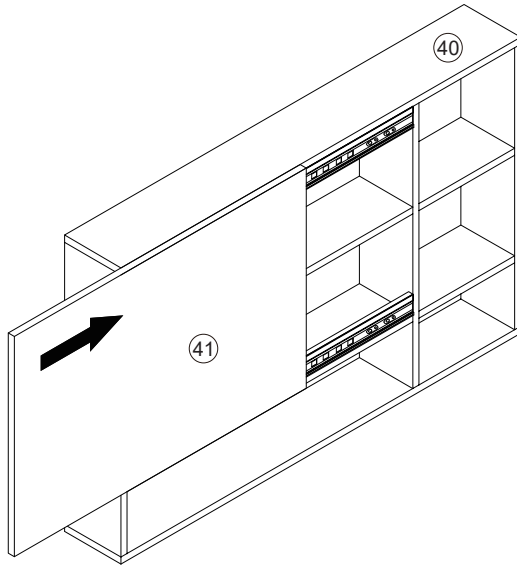


STEP 41

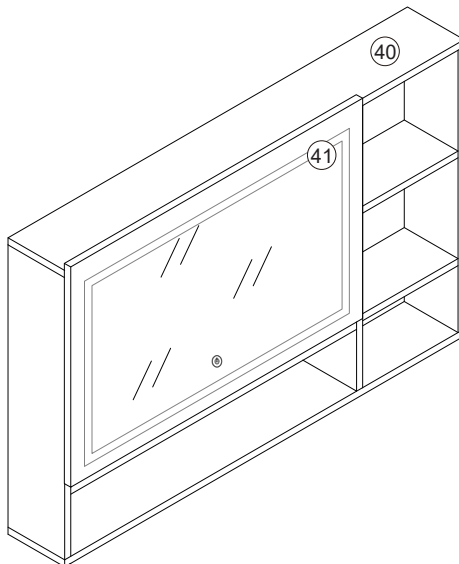
(D)  3*12 6 PCS (O)  2 PCS



STEP 42

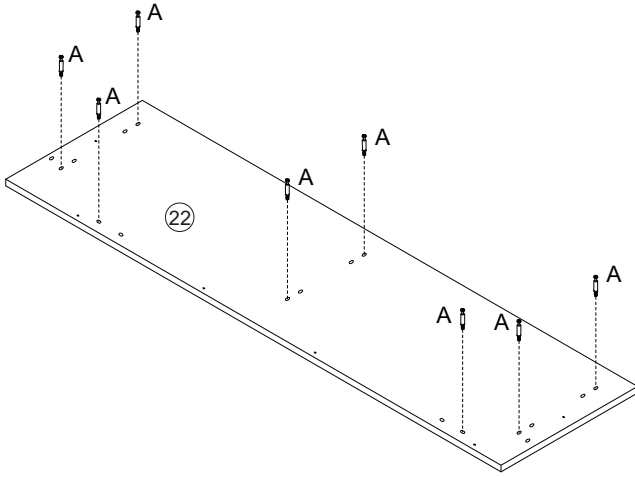


STEP 43



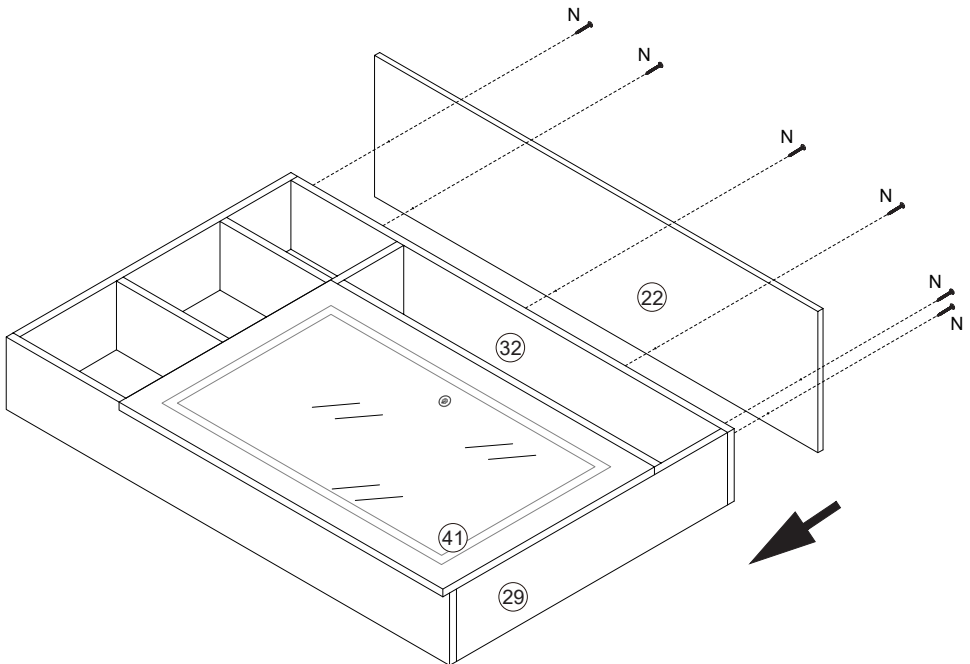
STEP 44

(A)  8 PCS



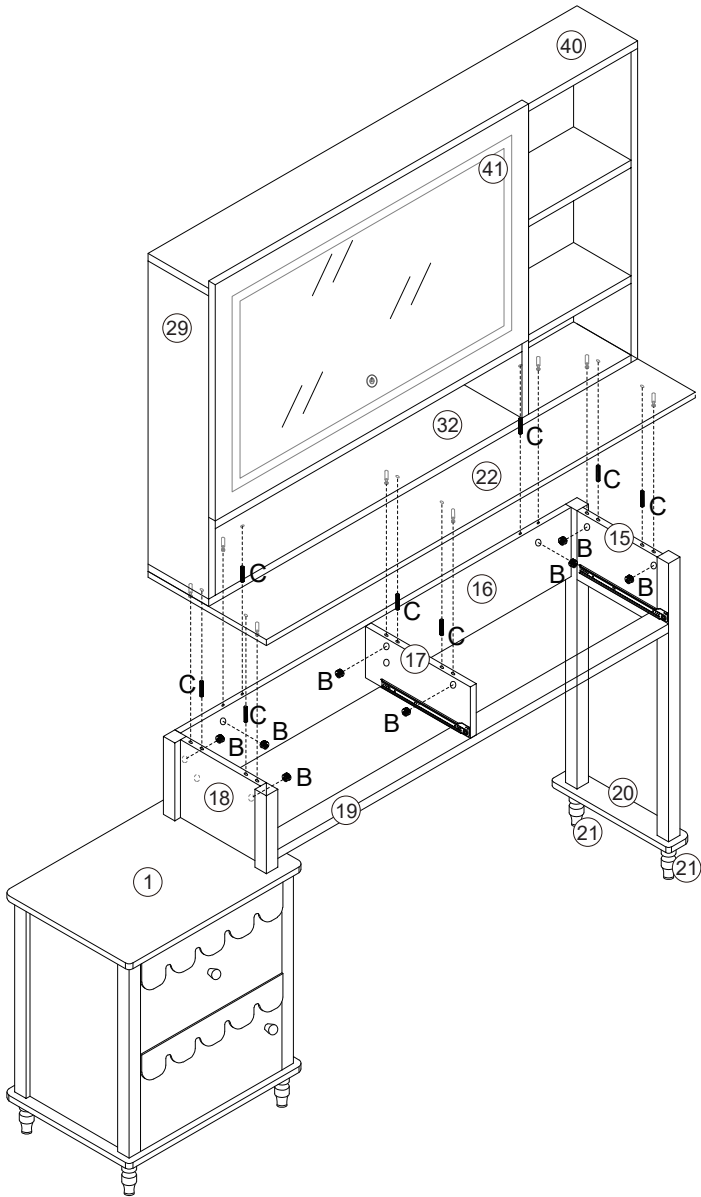
STEP 45

(N)  6 PCS

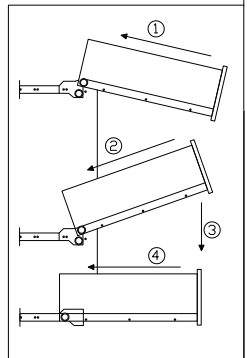
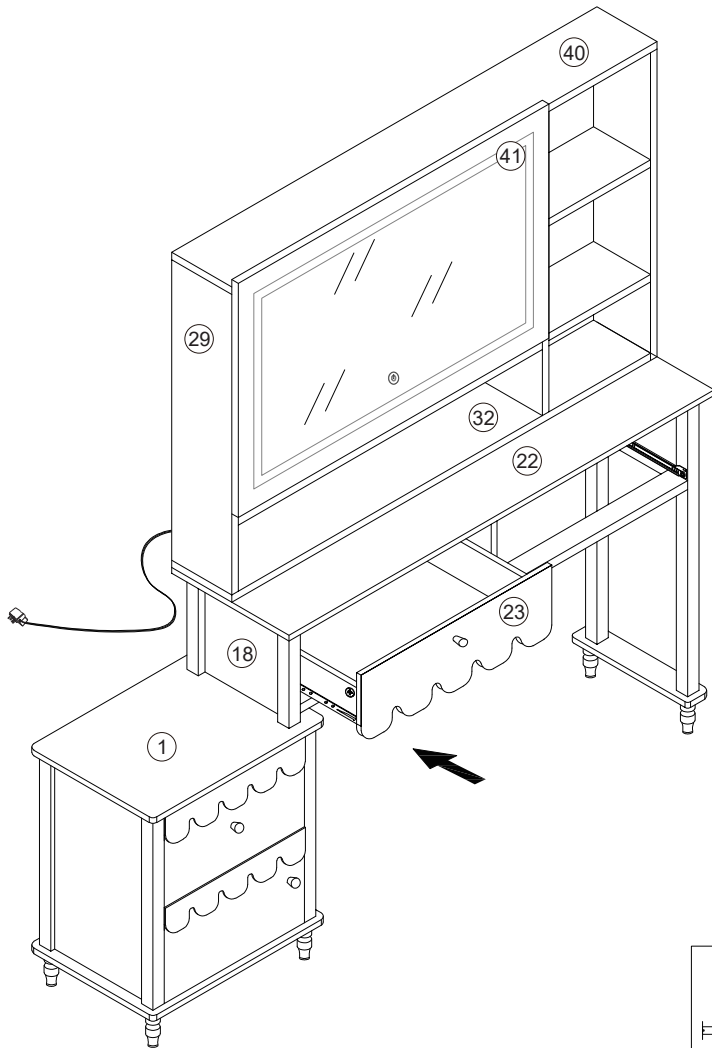


STEP 46

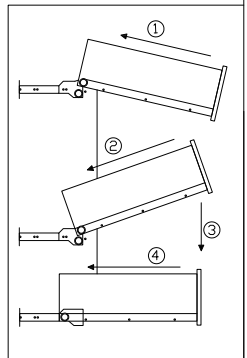
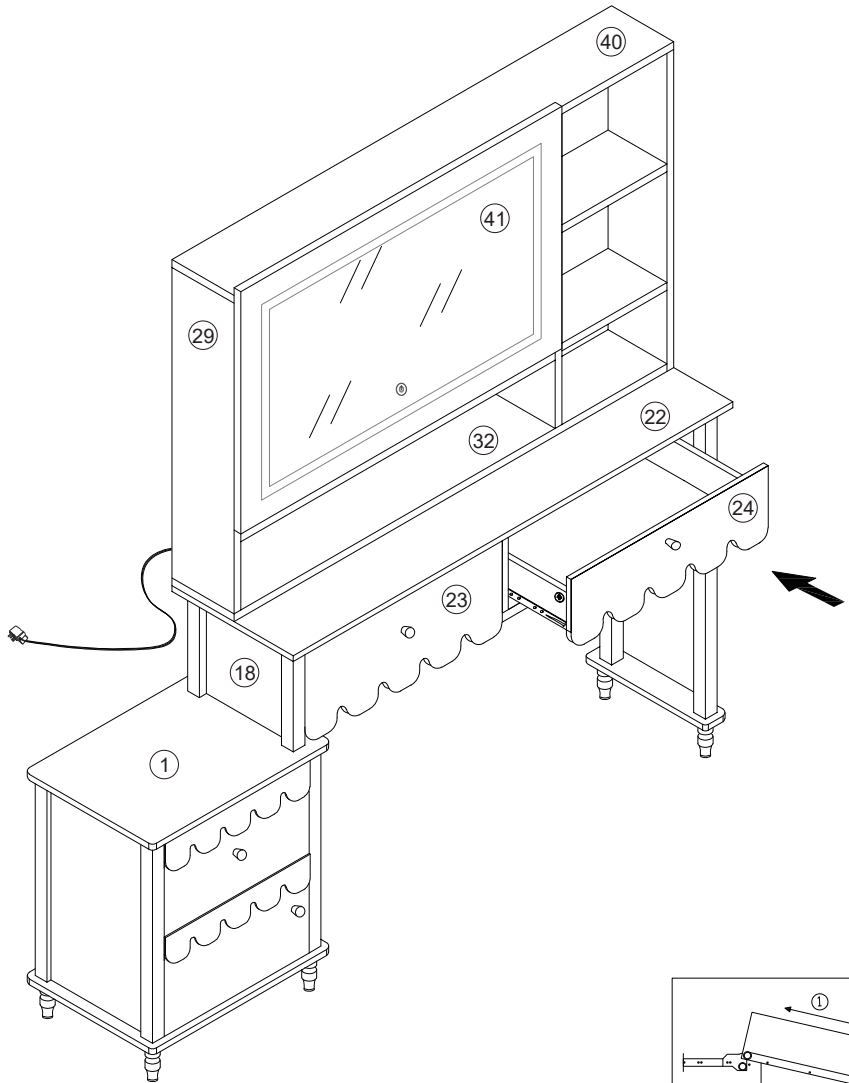
- | | | |
|-----|--|-------|
| (B) |  | 8 PCS |
| (C) |  | 8 PCS |

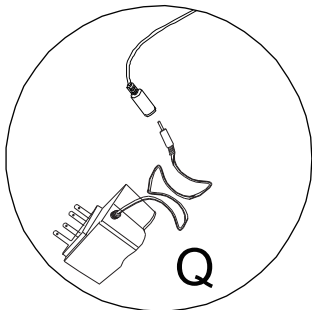
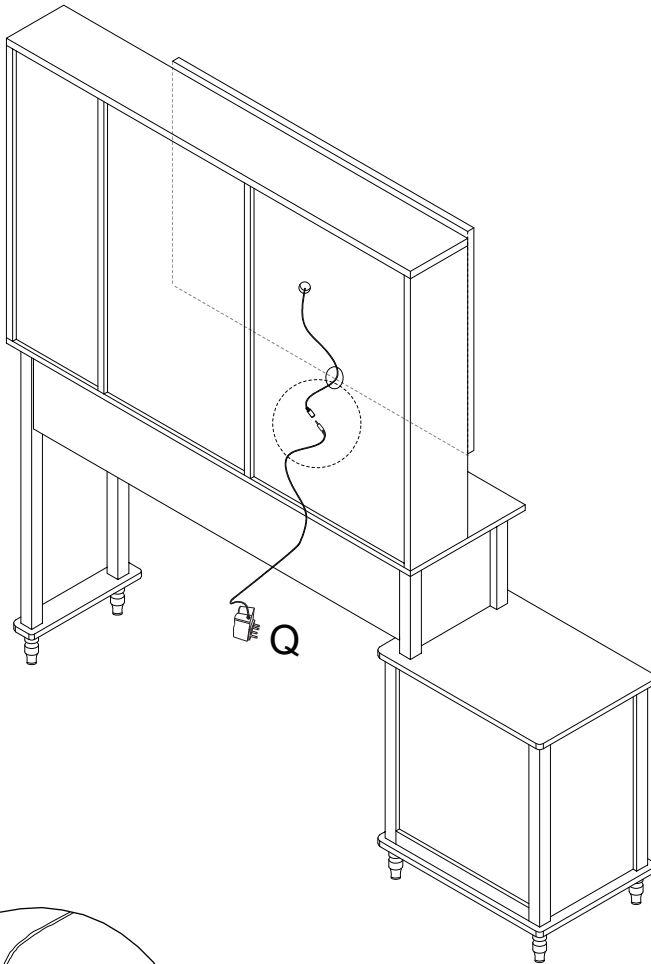


STEP 47



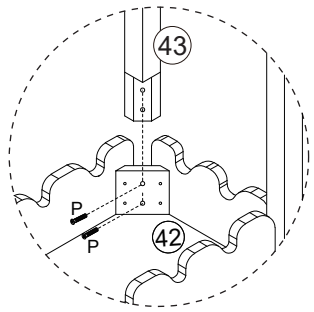
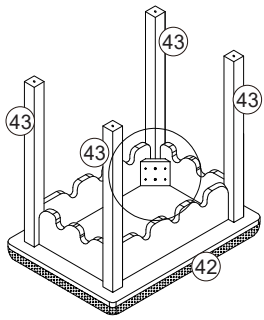
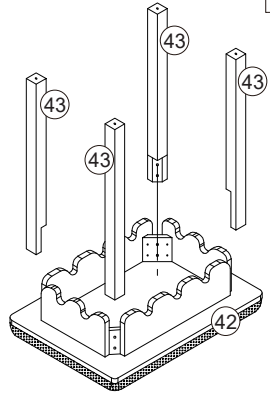
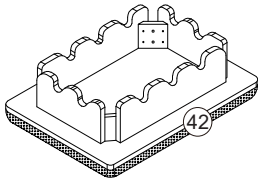
STEP 48



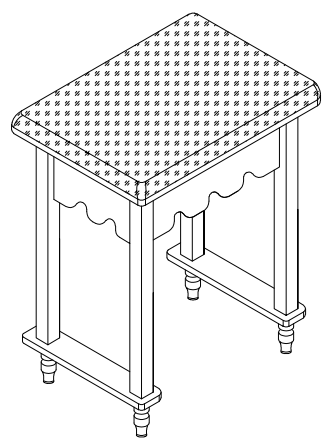
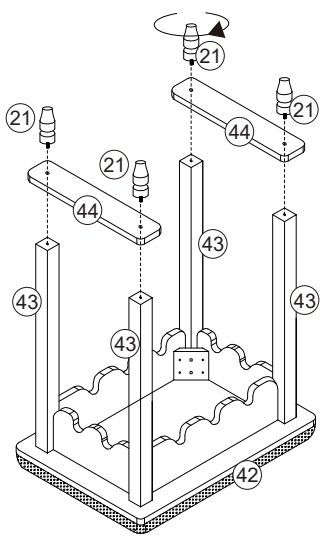


STEP 50

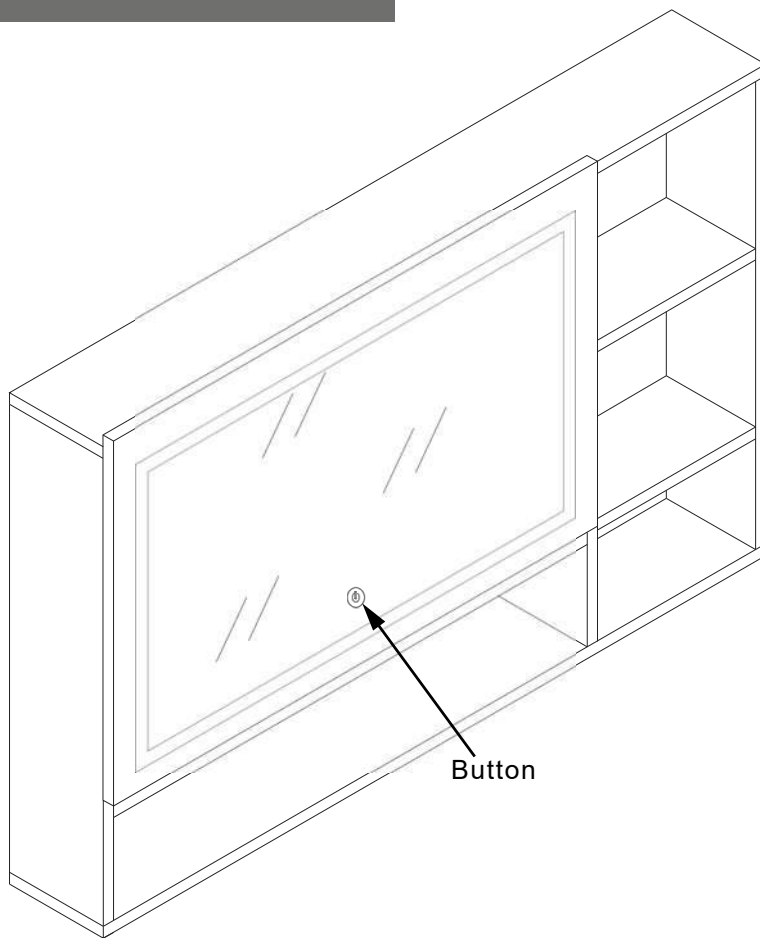
P  8 PCS



STEP 51



Usage of the Mirror

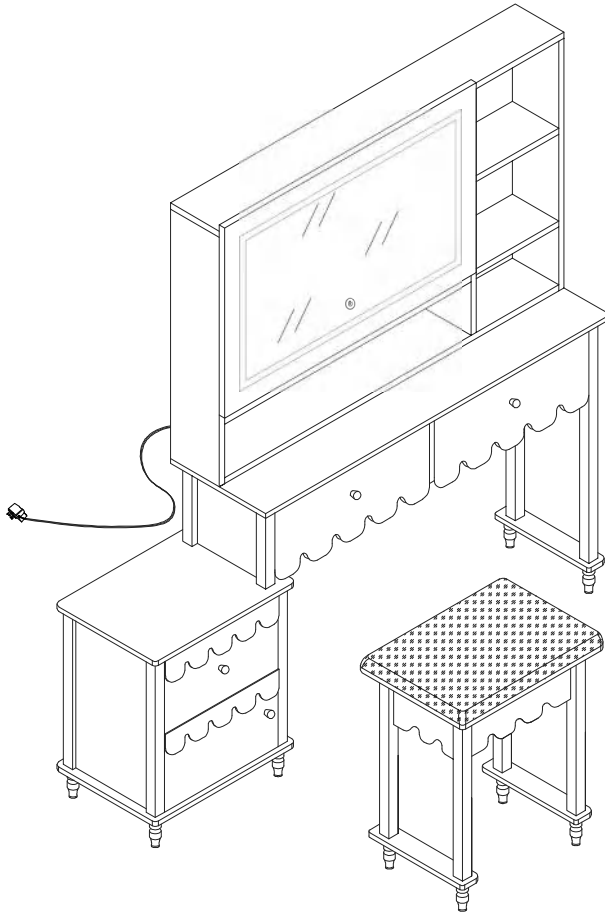


CAUTION:

The On/Off button has three functions:

1. Turn the light on and off;
2. Adjust the light color (tap the On/Off key);
3. Adjust the brightness (Long press the on button).

Please note: Functions 2 and 3 need to be performed while the mirror is turned on.



Thank you very much for purchasing from us.

We have always been trying to provide the best service and reliable products for every customer.

However, accident may happen sometimes, please contact us to resolve any issue before leaving a negative feedback.

Many thanks and welcome to our shop again!