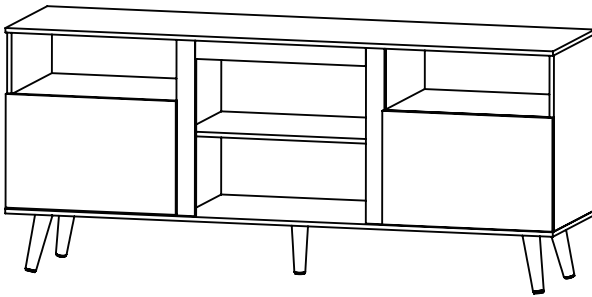




W L I V E



# ADSG028

Wood TV Stand with Leg

V5.2.0



## IMPORTANT INFORMATION

READ CAREFULLY.

KEEP THIS INFORMATION FOR FURTHER REFERENCE.

## GENERAL GUIDELINES

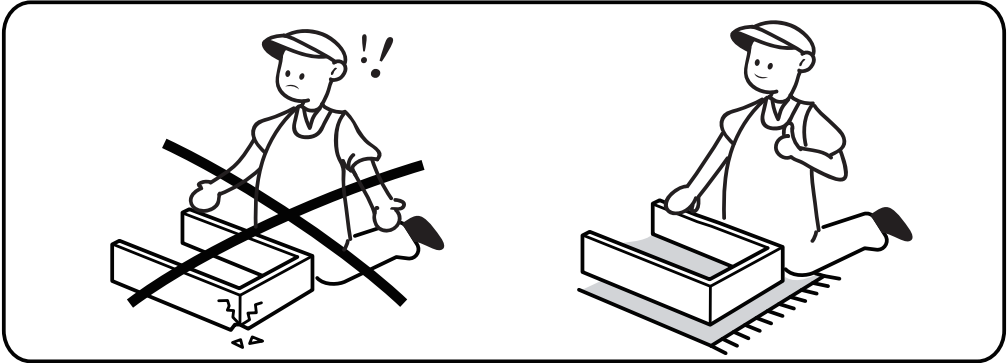
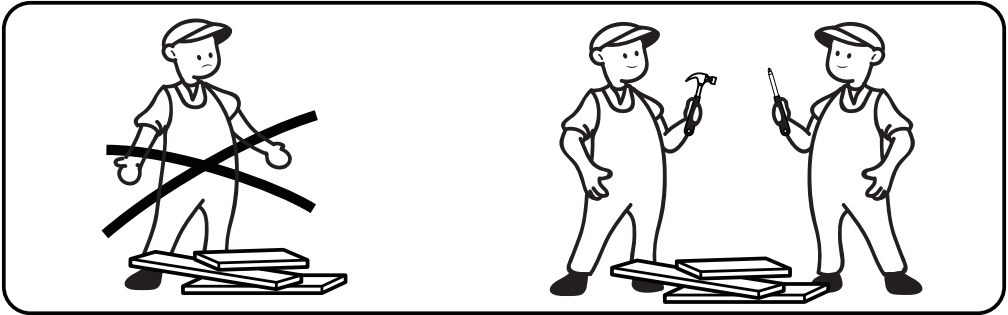
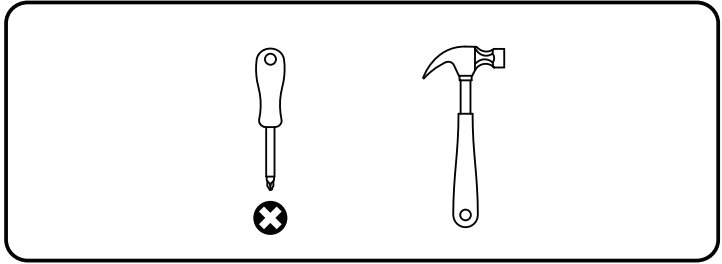
- Please read the following instruction carefully and use the product accordingly.
- Please keep this manual and hand it over when you transfer the product.
- This summary may not include every detail of all variations and considered steps. Please **contact us** when further information and help are needed.

## NOTES

- Please follow the assembly instructions precisely and only use the product as intended.
- If an odor is present when first opening the package, please leave the unwrapped product in a shaded and ventilated area for a few days to air out.
- Prior to assembly, please check the product for defects or missing accessories. If any defects are found or accessories are missing, do not use product as damage or injury may occur; Please **contact us** for assistance and replacement.
- It is suggested you regularly check the products bolts and connections to ensure safe use.
- Assemble the item on a soft flat and clean surface to avoid scratches and damage.
- It is recommended that two people assemble this product.

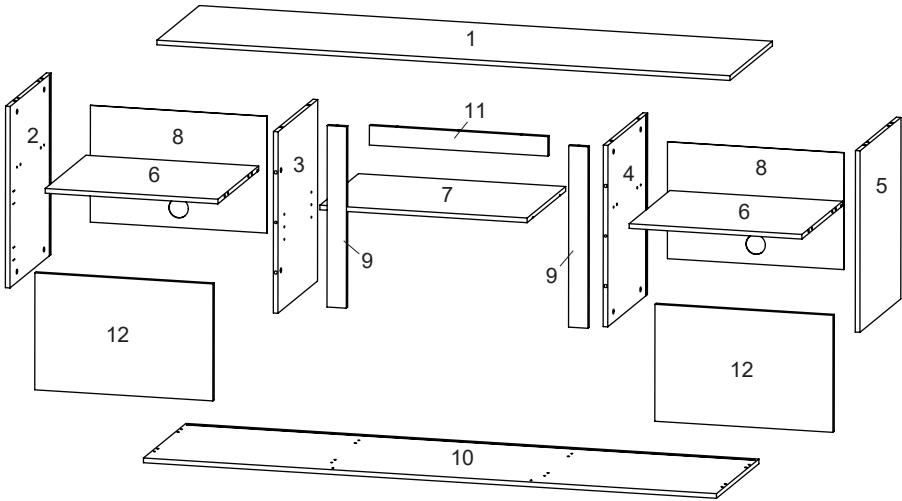
## WARNINGS

- During assembly, keep parts and packaging materials away from children and pets as there could cause injury and are a potential choking hazard.
- Avoid sharp objects or corrosive chemicals to prevent damage to the product.
- Please open the item slowly and cautiously to avoid pinching your hands by metal joints, especially children.

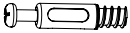
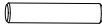


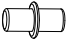


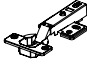




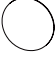




- If you have any further questions, please feel free to contact our customer service. We will reply ASAP.
- Before installation, please make sure you have all the hardware, the serial numbers are properly labeled corresponding to the list, and the quantity is correct.
- Enjoy your new purchase!

**EXPLODED DRAWING**

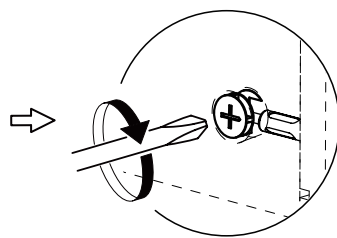
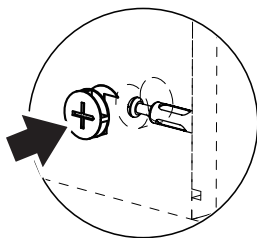
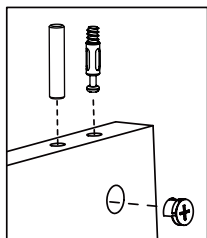


**PARTS**

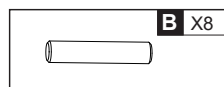
 <b>A</b> X35	 <b>B</b> X22	 <b>C</b> X35	 <b>D</b> X49 M4x11
 <b>E</b> X4	  <b>F</b> X8	 <b>G</b> X4	 <b>H</b> X1
 <b>I</b> X4	 <b>J</b> X1	 <b>K</b> X4	 <b>L</b> X30
 <b>M</b> X5	 <b>N</b> X1		

**REMARK**

**MINIFIX POSITION**

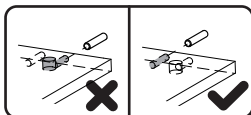
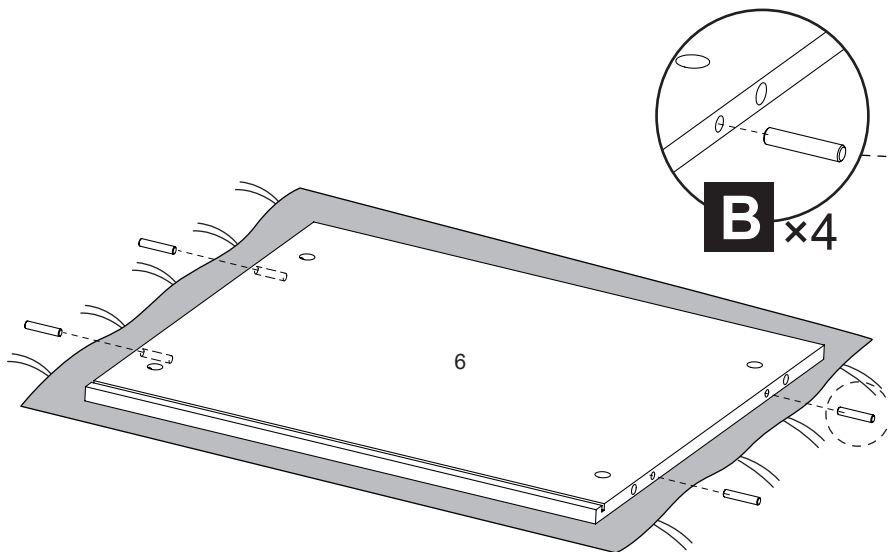


**1**



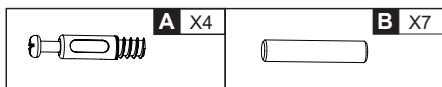
**REMARK**

Put a blanket under the board to avoid scratch or damage.



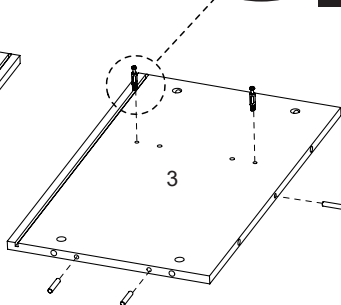
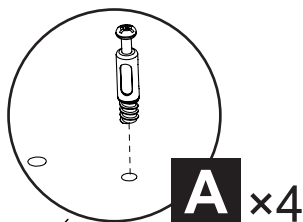
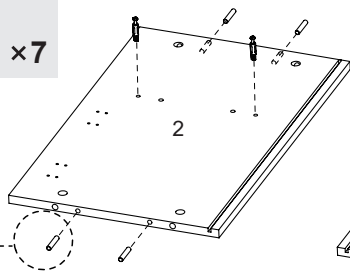
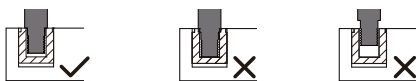
**x2**

2

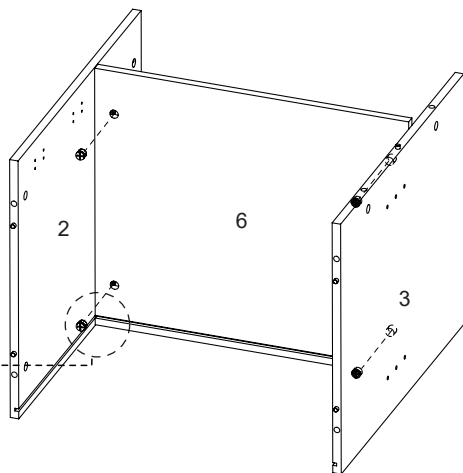
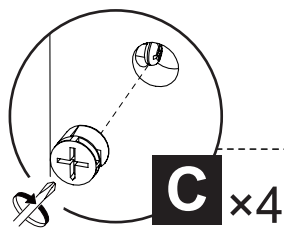
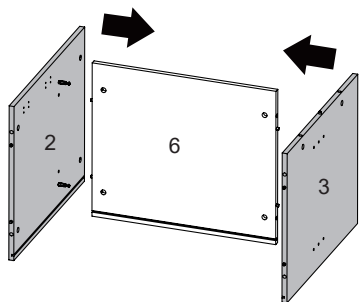
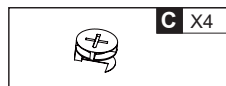


REMARK

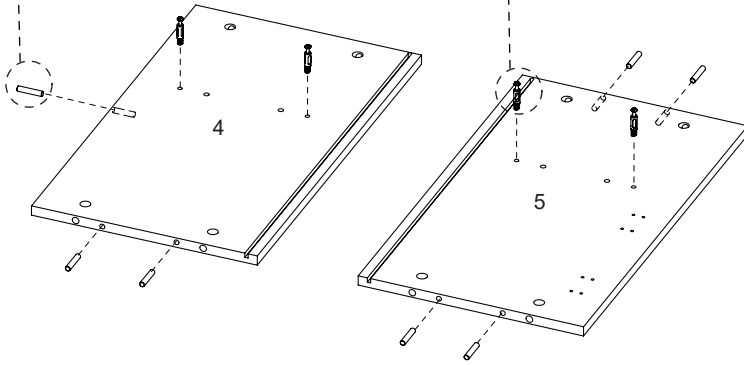
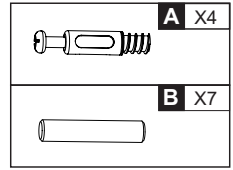
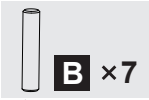
Please do not screw **A** too deep or too shallow.



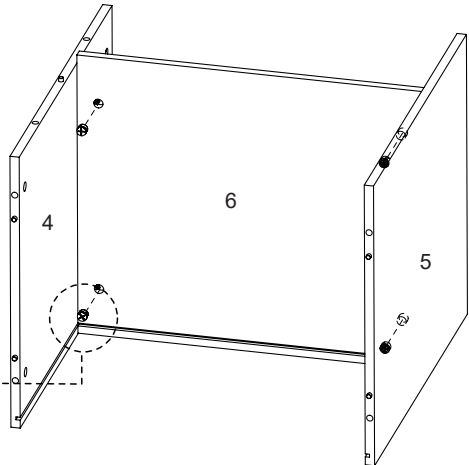
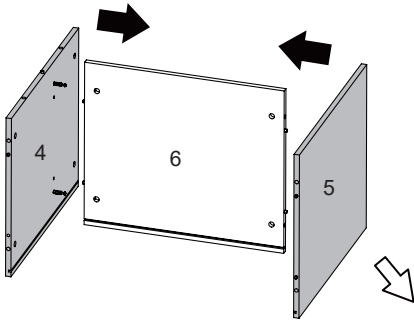
3



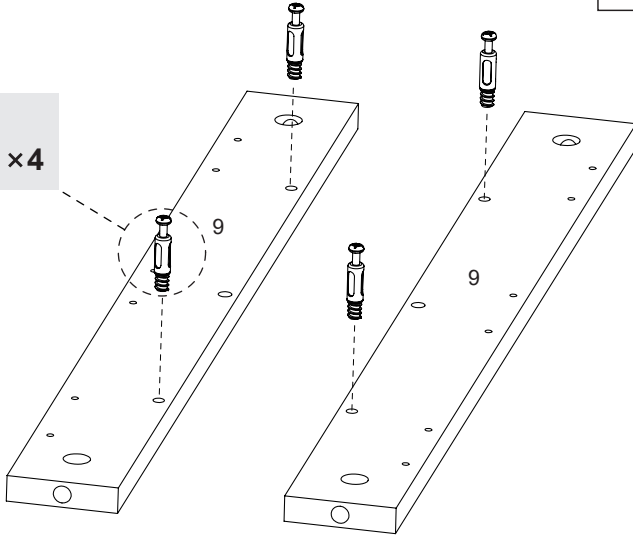
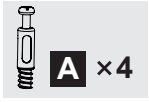
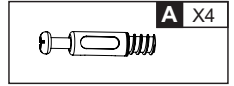
4



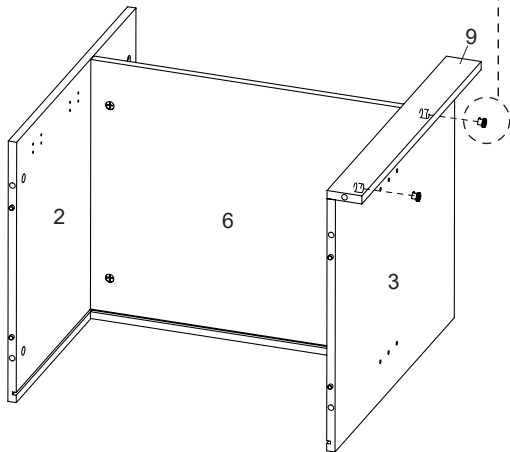
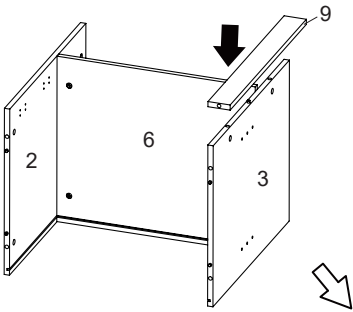
5



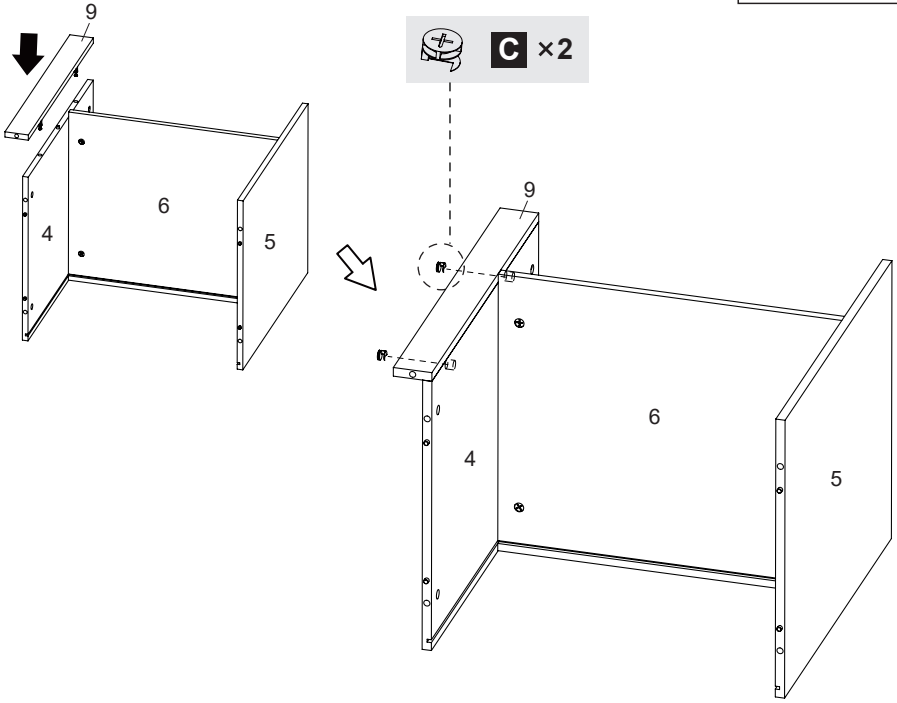
6



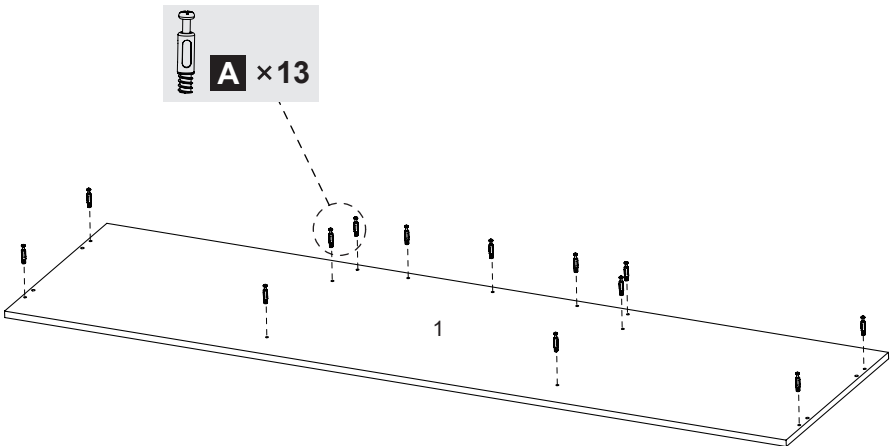
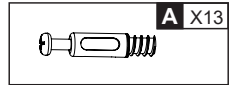
7



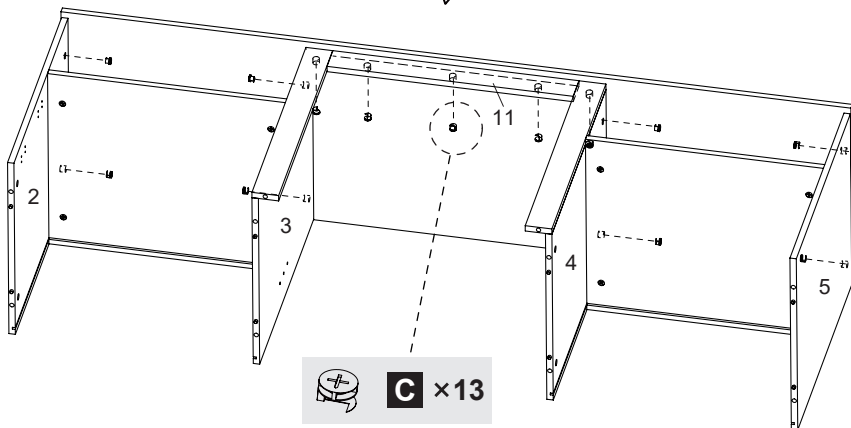
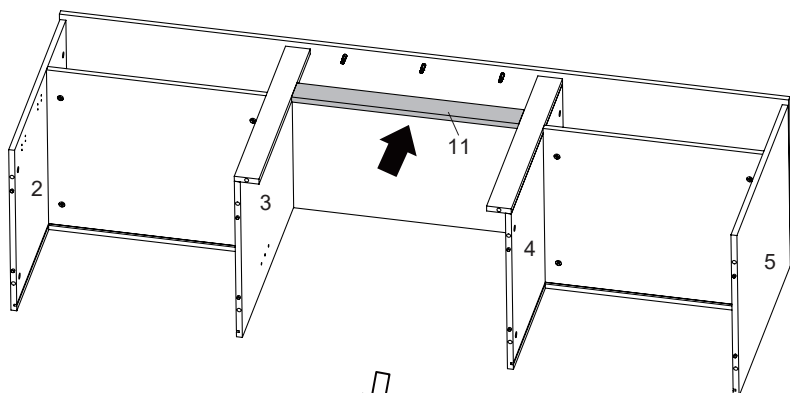
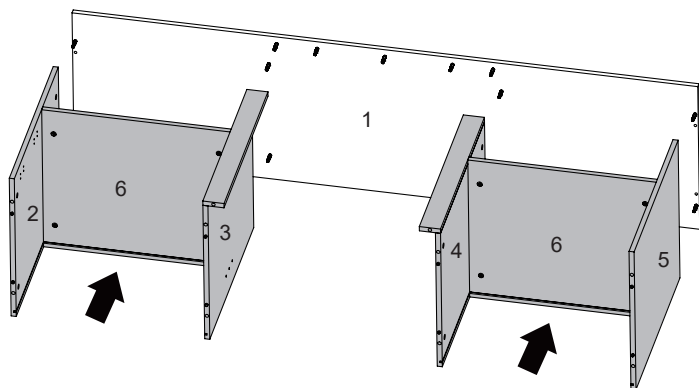
8



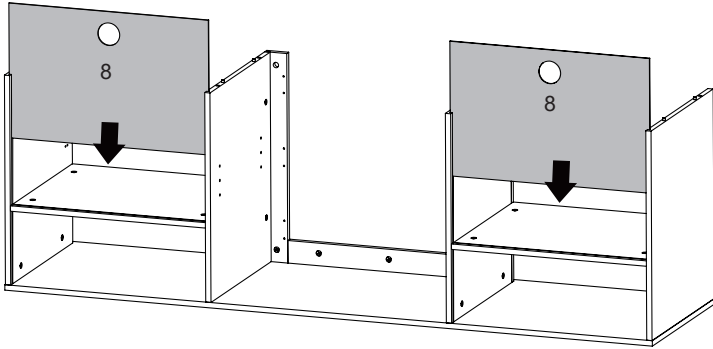
9



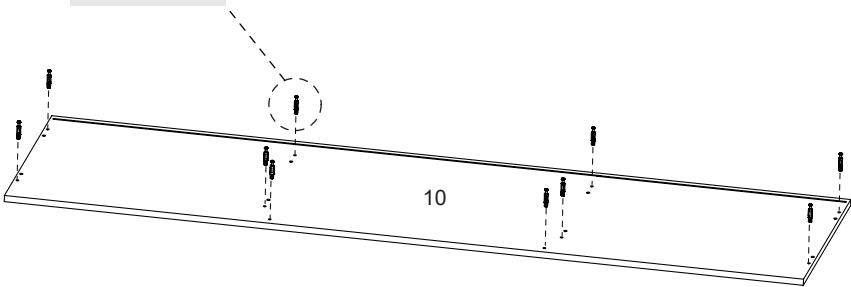
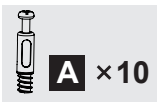
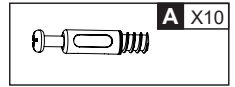
10



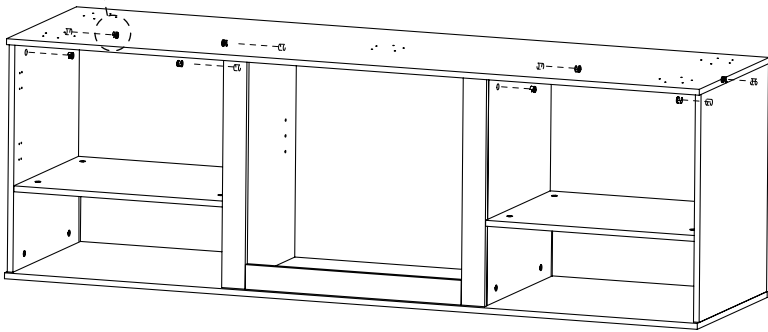
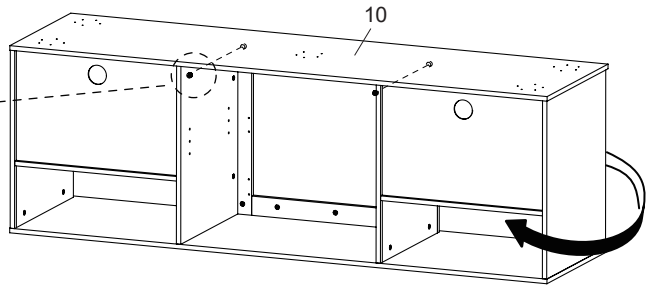
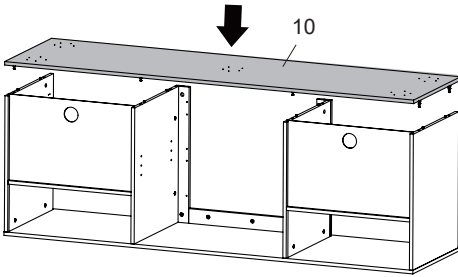
11






12

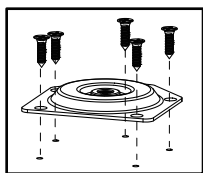


13

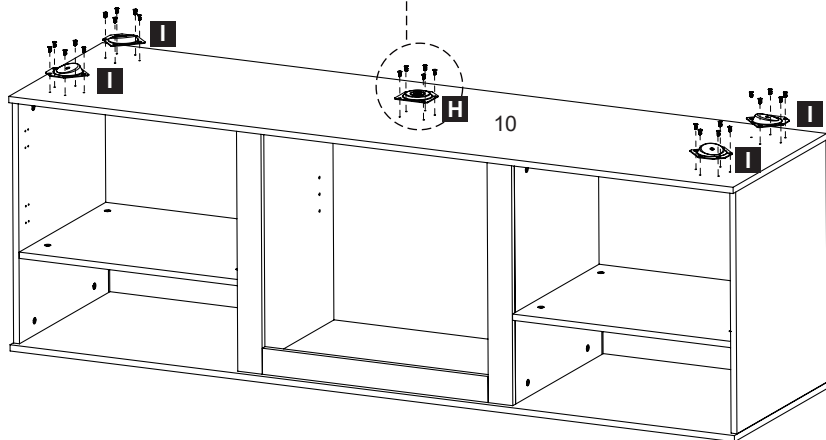


# 14

	<b>D</b> X25 M4x11		<b>H</b> X1
			<b>I</b> X4





 **D** x25

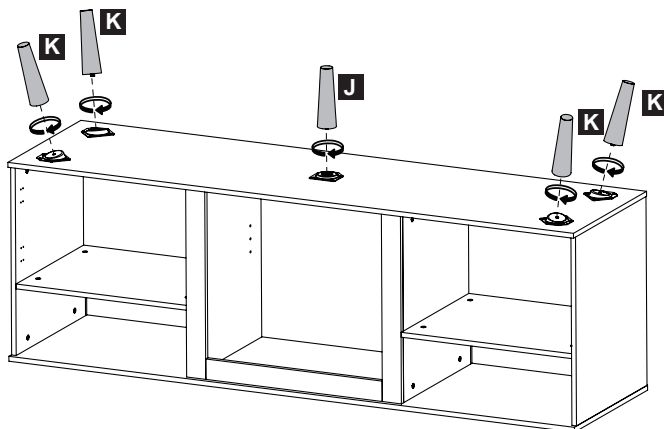
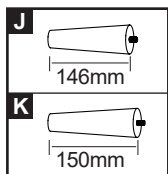


# 15

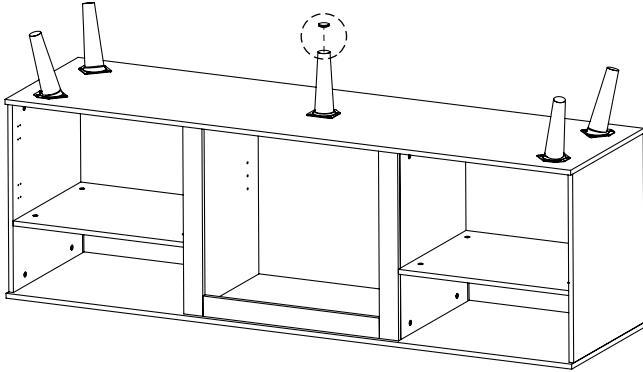
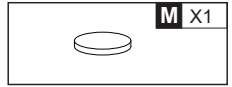
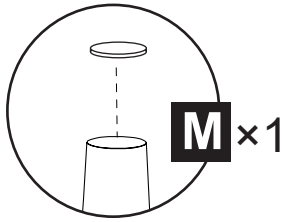
## REMARK

The part **J** is shorter than part **K**.

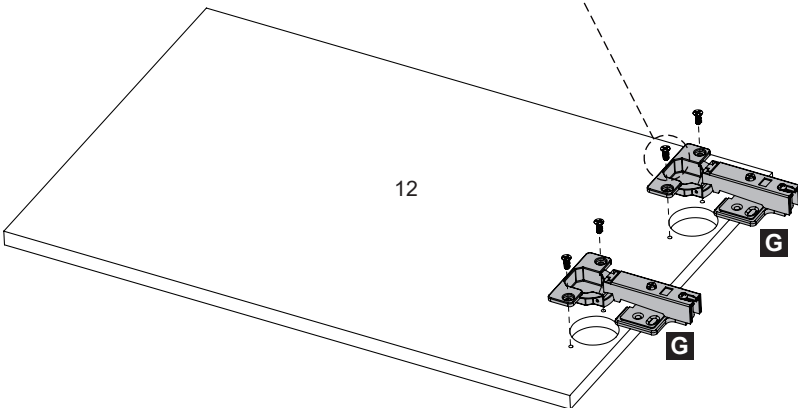
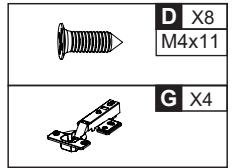
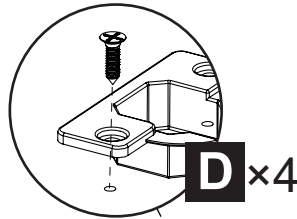
	<b>J</b> X1
	<b>K</b> X4



16



17

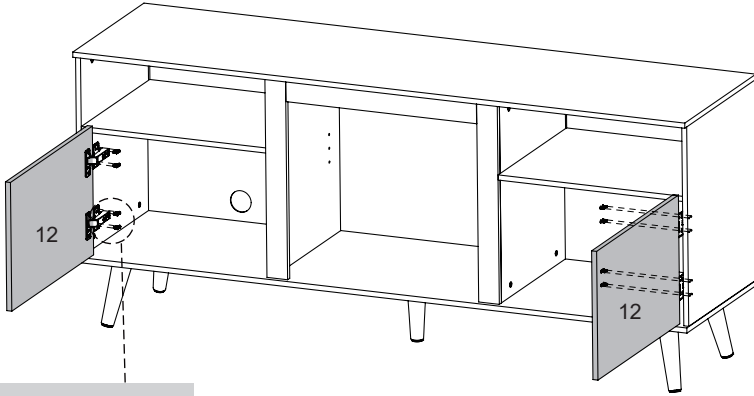


×2

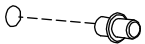
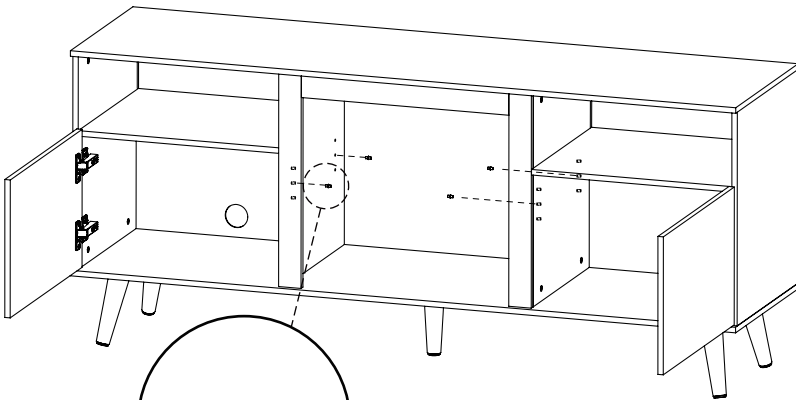
18


**D** X16  
M4x11
**REMARK**

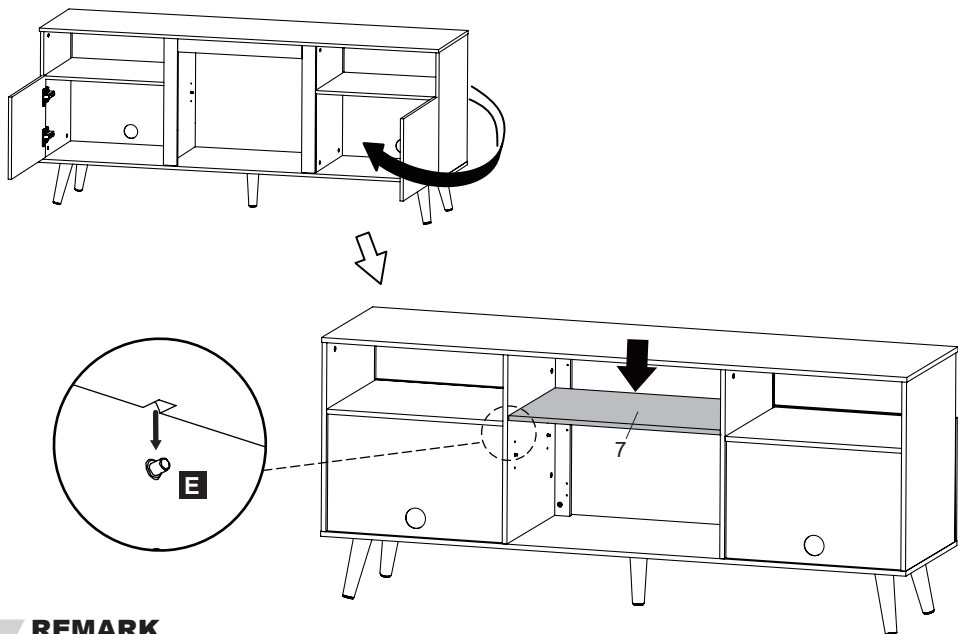
Please do not fully tighten screws until all screws are in place.


**D** × 16

19


**E** X4

**E** × 4

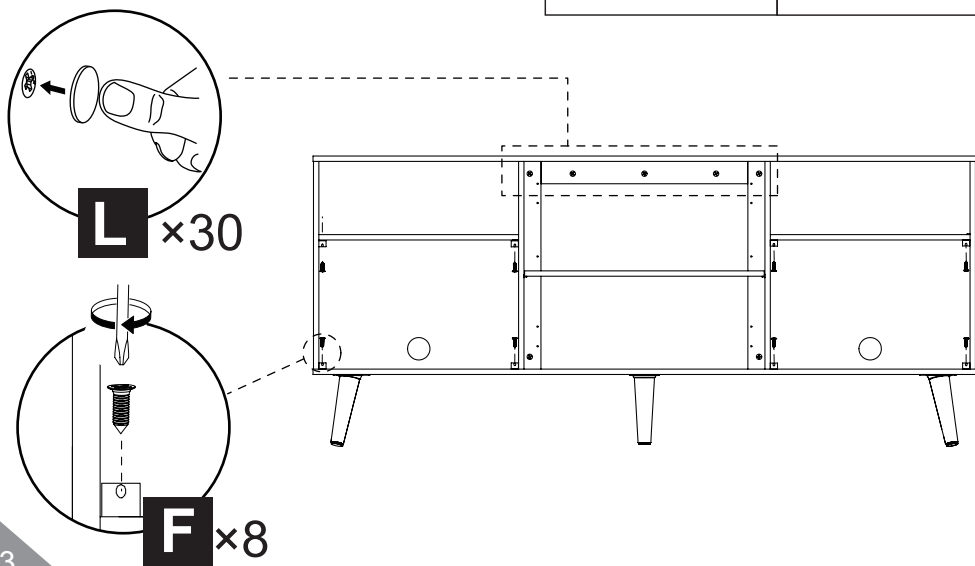
20



**REMARK**

Please make the groove on board **7** match with the part **E**.

21

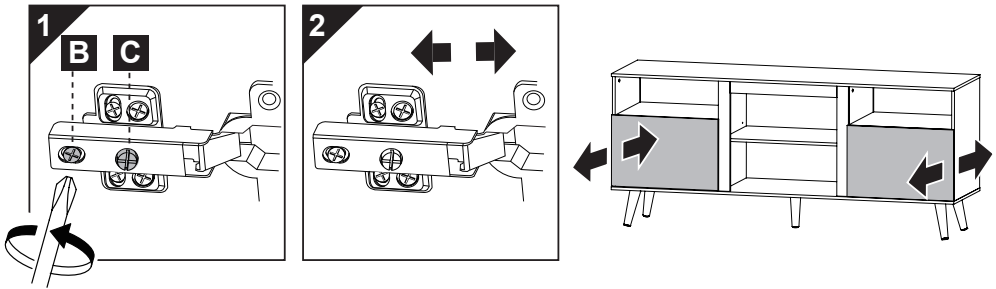


## HINGE ADJUSTMENT

If the door do not appear square or aligned,loosen or tighten the appropriate screws on each case hinge as illustrated.

## DEPTH ADJUSTMENT

Loosen screw **B** and screw **C** ( Do not loose screw **C** to the end), push hinge arm upwards or backwards, re-tighten screw **B**.



## FOR-AND-AFT ADJUSTMENT

Adjust screw **C** to make hinge move backwards or forwards to the ideal place , then tighten screw **C**.

