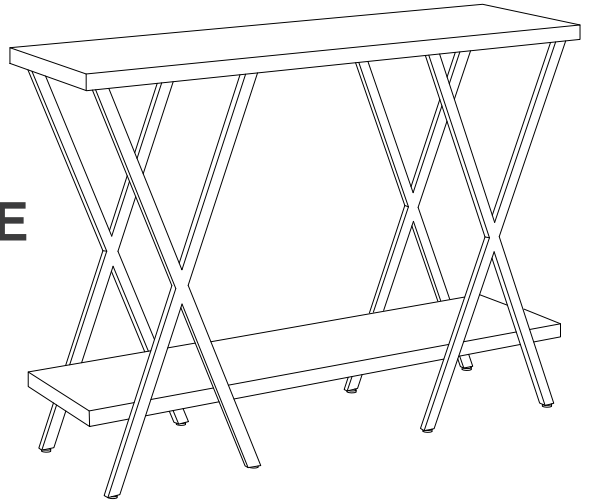


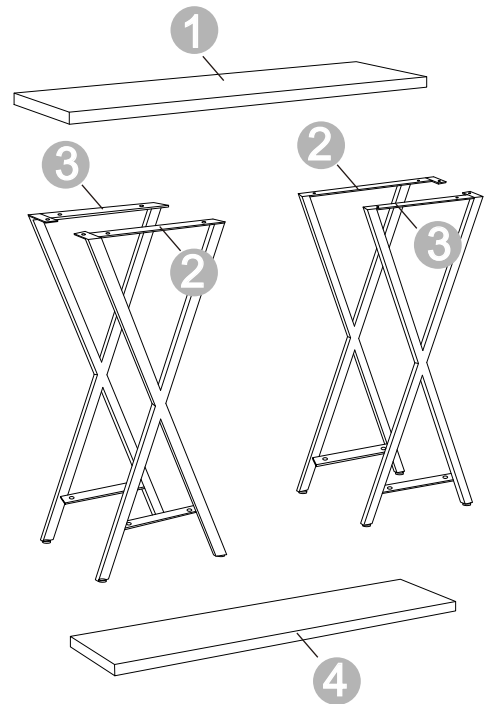
2 TIERED DISPLAY CONSOLE

ASSEMBLY INSTRUCTION

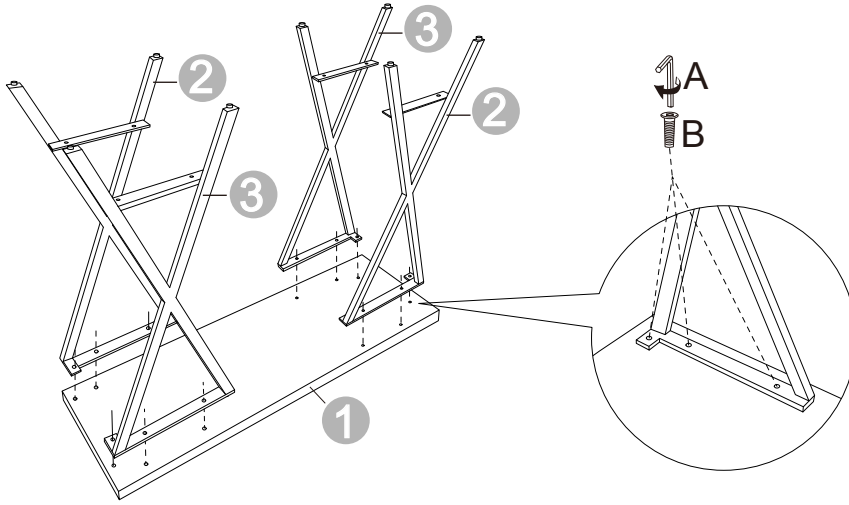


WE STRONGLY RECOMMEND THAT THE PRODUCT IS ASSEMBLED ON A FLAT AND SMOOTH SURFACE AND KEEP ON THE SAME HORIZONTAL LINE, OTHERWISE, THERE WILL BE A PHENOMENON OF SCREW DISLOCATION AND CANNOT BE INSTALLED.

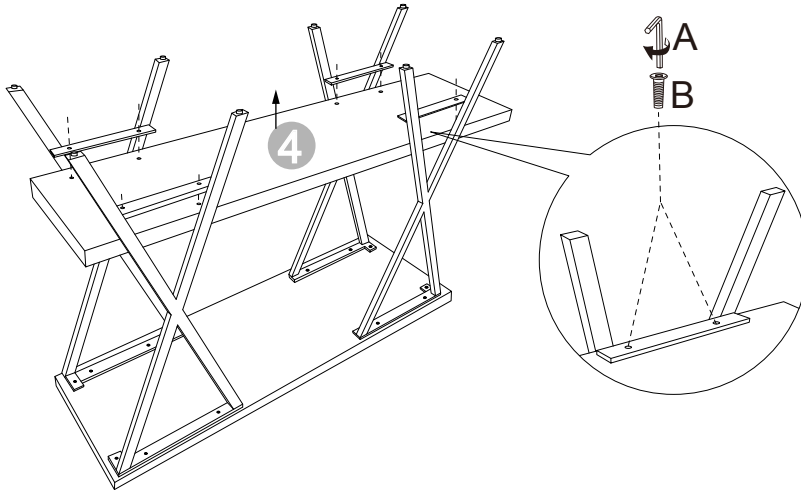
<p>1 1PC</p>	<p>2 2PCS</p>
<p>3 2PCS</p>	<p>4 1PC</p>
<p>A 1PC</p>	<p>B 20PCS</p>



STEP1:



STEP2:



STEP3:

