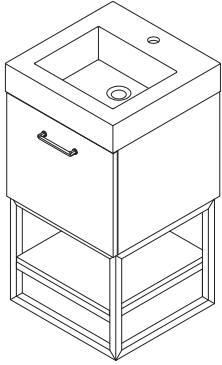
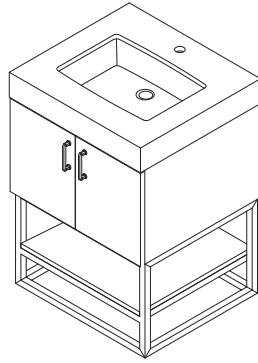


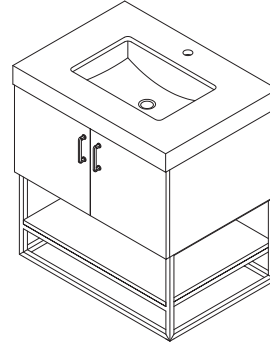
ASSEMBLY INSTRUCTIONS
Alistair



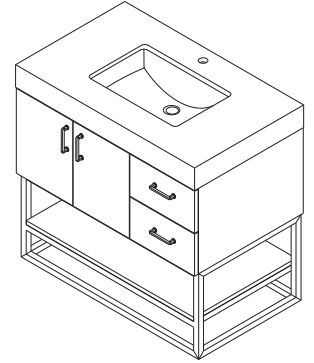
789018



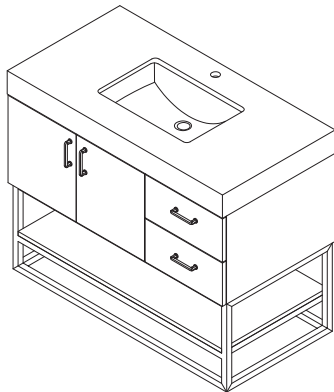
789024



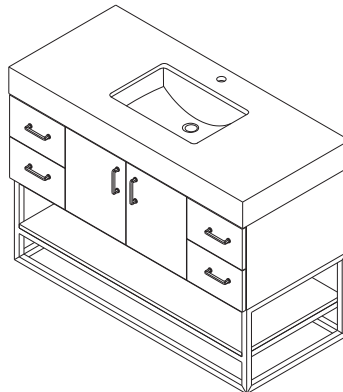
789030



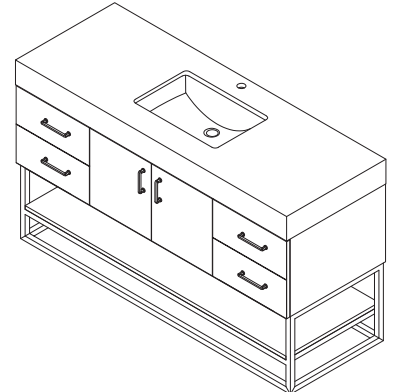
789036



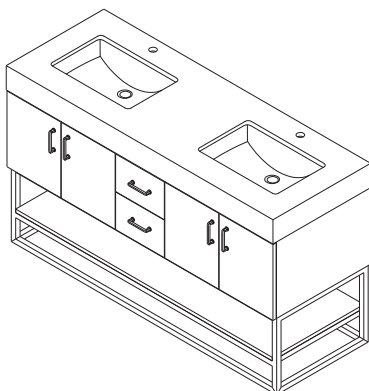
789042



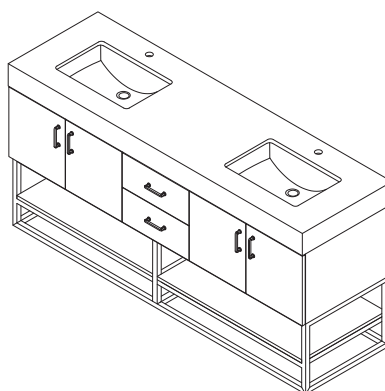
789048



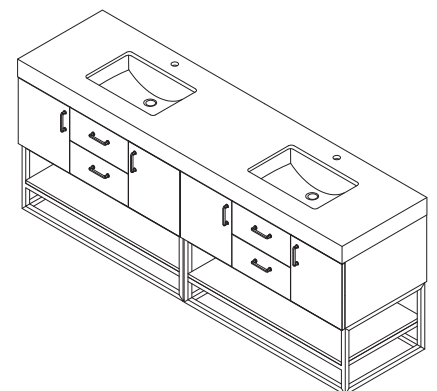
789060S



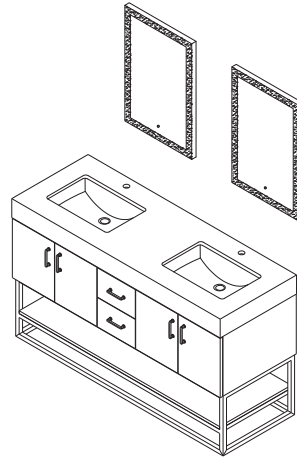
789060



789072

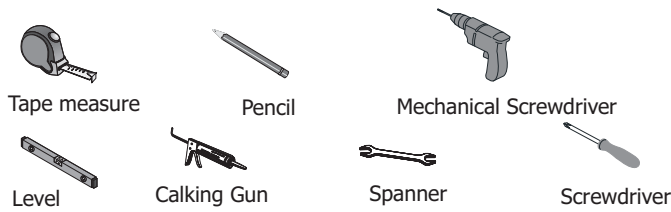


789084

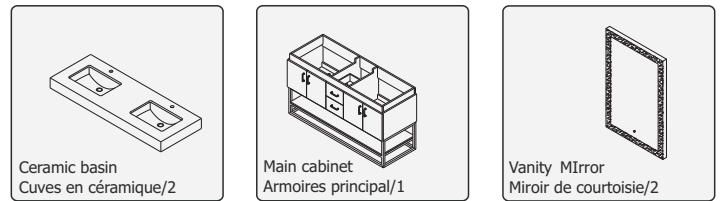


INSTALLING VANITY WITH TWO PEOPLE IS HIGHLY RECOMMENDED
L'INSTALLATION DE LA VANITÉ AVEC DEUX PERSONNES EST FORTEMENT RECOMMANDÉE

Recommended Tools/Outils recommandés



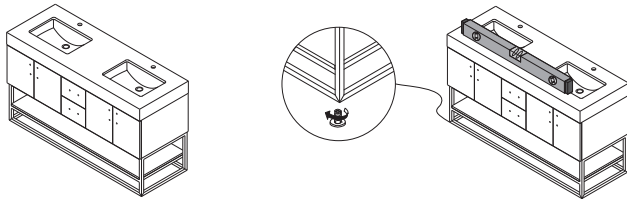
Main Body Parts/La partie principale du corps



STEP #1

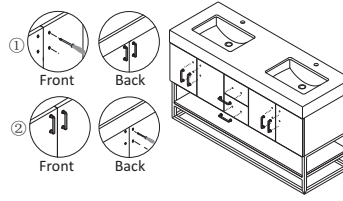
Mounting cabinet/Installation du cabinet

Assembly instructions/Instructions de montage

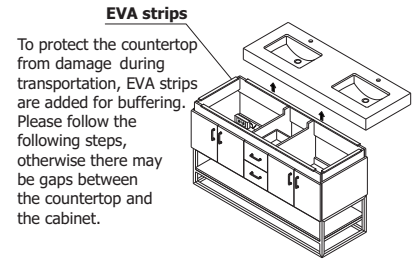


1. Main cabinet/Armoires principal

2. Adjusting cabinet foot/Pieds de cabinet de réglage



3. Install the handle/Installer la poignée



EVA strips
To protect the countertop from damage during transportation, EVA strips are added for buffering. Please follow the following steps, otherwise there may be gaps between the countertop and the cabinet.

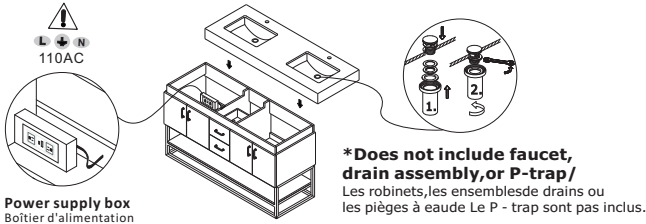
4. Tear off the EVA strips/Retirer la bande EVA

STEP #2

Paste the countertop/Coller le comptoir

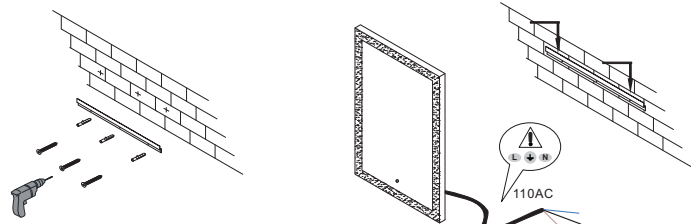
STEP #3

Hang the mirror/Accrocher le miroir

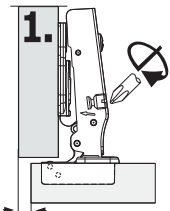


Power supply box
Boîtier d'alimentation

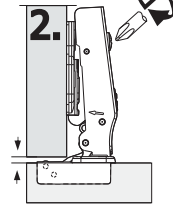
***Does not include faucet, drain assembly, or P-trap/**
Les robinets, les ensembles de drains ou les pièges à eau Le P-trap sont pas inclus.



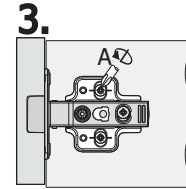
Door hinge installation and removal/Installation et démontage des rotules de porte



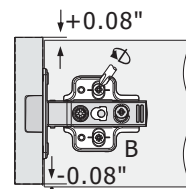
1. Side adjustment/
Ajustement du côté
+0.08 -0.16



2. Adjustable cassette/
Cassette réglable +0.11 -0.04
Cassette/Cassette +0.11 -0.08



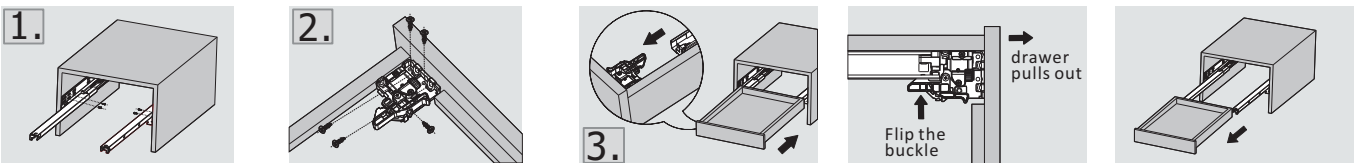
3. After adjustment, tighten A/B/
Après le réglage, vous devez serrer A/B



Loosen A B and adjust the height +0.08" -0.08"
Desserrer A B, ajuster la hauteur +0.08" -0.08"

Installation Instruction/Instructions d'installation

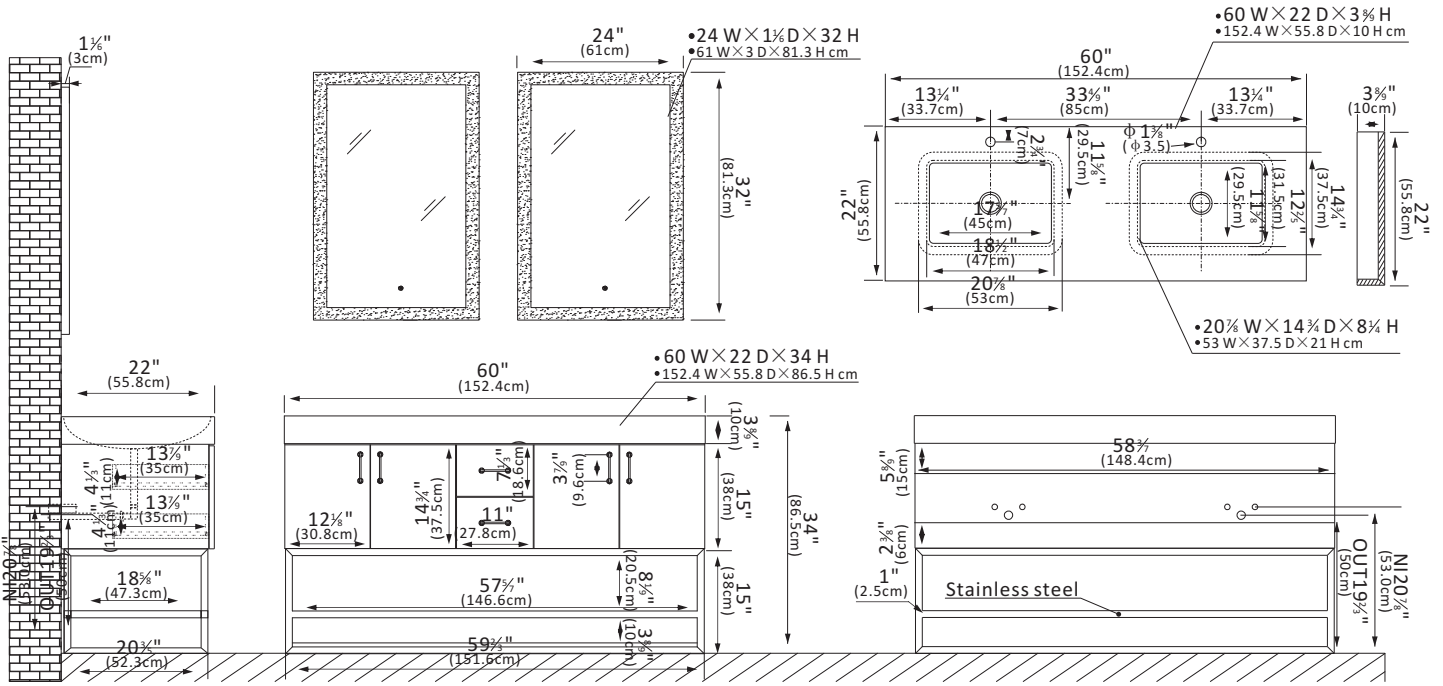
Removal of slide rail with front connector
Démontage de la glissière avec connecteur frontal



• Please check your product packaging to make sure the included accessories etc.
Veuillez vérifier l'emballage de votre produit pour vous assurer que les accessoires inclus

Flip the buckle of the front connector, then pull the drawer out to complete the disassembly
Retournez la boucle du connecteur avant, puis tirez le tiroir pour terminer le démontage

Diagram Specifications



Vanity Care Guide

Vanity Care

- Avoid direct contact of sharp objects as they can cause exterior damage.
- Do not expose directly to the sun as it can cause aging and cosmetic damage.
- Avoid placing hot objects onto the vanity surface.

Countertop Care

- Kindly note that all our tops are sealed before shipping but may stain, scratch, or chip because they are porous by nature.
- Do not place hot items directly on the countertop as it can damage it.
- To prevent ring marks or staining, dry immediately.
- Place table mats beneath objects that can potentially scratch the surface.
- Use a clean, soft fabric to dust the vanity.
- Occasionally wash with a cloth dampened in warm water. If needed, apply a small amount of mild dishwashing liquid or stone soap to clean. Dry with a soft cloth.
- Refrain from using chemical cleaners, sprays, abrasive cleaners, or products that contain lemon, vinegar, or other acids.
- We advise to reseal top annually or when necessary.

For Minimal Stains:

1. Try gently cleaning with water and mild soap with a microfiber cloth.
2. If marks remain: Try gently scraping off the mineral build up with a brand new razor blade.

For Tough Stains or Cloudy Spots:

3. Try a pH-balanced cleaner safe for composite surfaces.
4. If marks remain:

- Lightly buff with water using ultra-fine steel wool (0000 grade) or high-grit waterproof sandpaper (1000+ grit).
- Follow with a stone-safe polishing wax to restore shine.
- Always test in a small area first.

Note: These steps should be done gently to avoid dulling the surface. Contact us if a polishing wax is needed.

Cleaning and maintenance

- Avoid using cleaning products that contain Bleach or Ammonia.
- Please use wood-friendly products on wooden base vanities.
- To adequately clean exterior surfaces, use natural cleaning solutions or soap

WARNING

This product can expose you to chemicals including Nickel compounds, which is known to the State of California to cause cancer. For more information visit www.P65Warnings.ca.gov

WARNING

This product can expose you to Glass wool fibers (inhalable and biopersistent), which is known to the State of California to cause cancer. For more information, go to www.P65Warnings.ca.gov

WARNING

Serious or fatal crushing can occur from furniture tip over. To prevent tip over this furniture must be used with the wall attachment device(s) provided.

Screw(s) and plug(s) for the wall are not included. Use screw(s) and plug(s) suitable for your walls. If you are uncertain, seek professional advice. Read and follow each step of the instruction carefully.