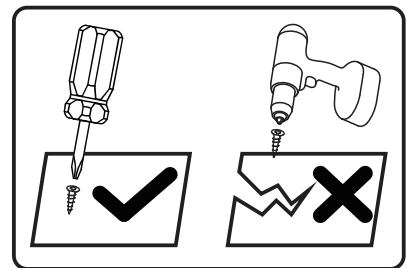
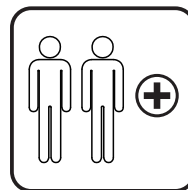
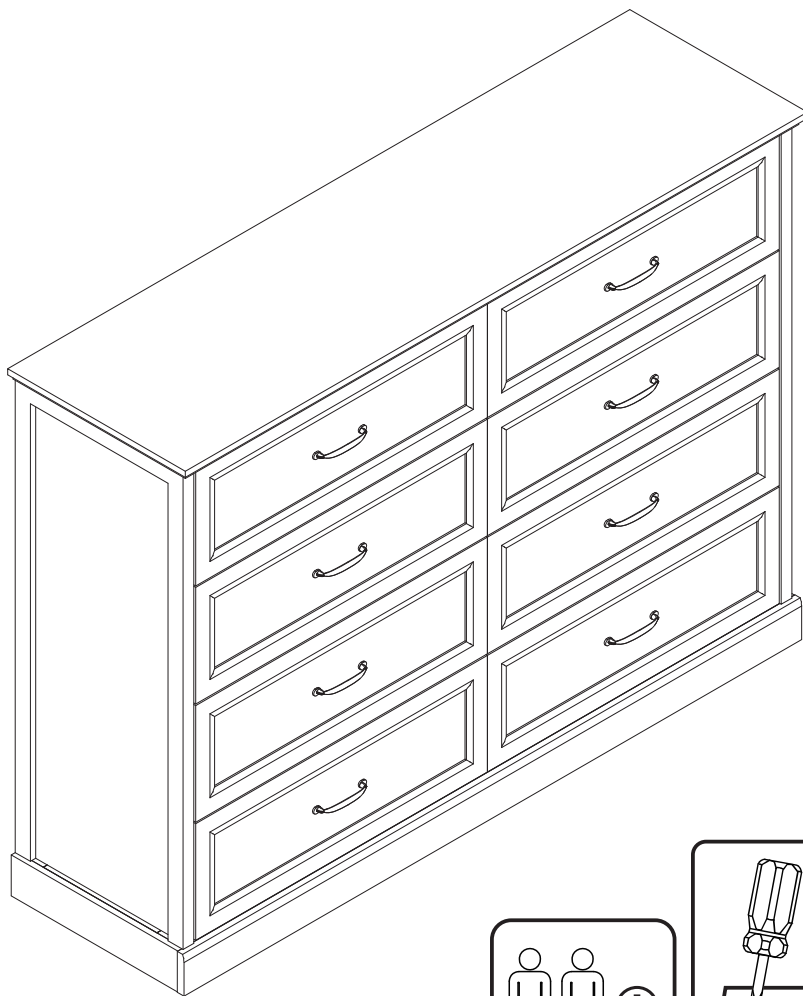


ASSEMBLY INSTRUCTIONS



Tools Recommended

THIS INSTRUCTIONS CONTAINS IMPORTANT SAFETY INFORMATION.
PLEASE READ BEFORE ASSEMBLY AND KEEP FOR FUTURE REFERENCE.

IMPORTANT NOTICE

-This product contains small components, please ensure that they are kept away from small children.

-THIS INSTRUCTIONS CONTAINS IMPORTANT SAFETY INFORMATION.
PLEASE READ BEFORE ASSEMBLY AND KEEP FOR FUTURE REFERENCE.

-Read each step carefully. It is very important that each step of instruction is performed in the correct order. If these steps are not followed in sequence, assembly difficulties will occur.

-Make sure all parts are included. Most parts are labelled or stamped on the raw edge.

-Work in spacious area, preferably on a carpet, near the place the unit will be used.

-Do not use power tools to assemble your furniture. Power tools may strip or damage the parts.

-Move your new furniture carefully, with two people lift and carry the unit to it's new location.

-Never push, drag or pull your furniture (especially on carpet)

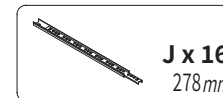
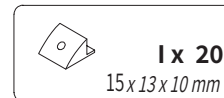
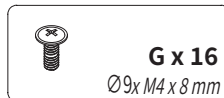
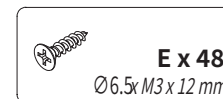
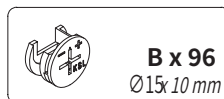
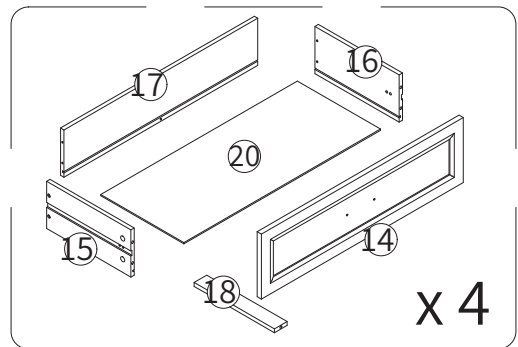
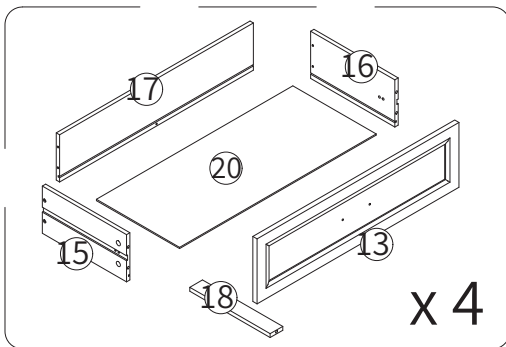
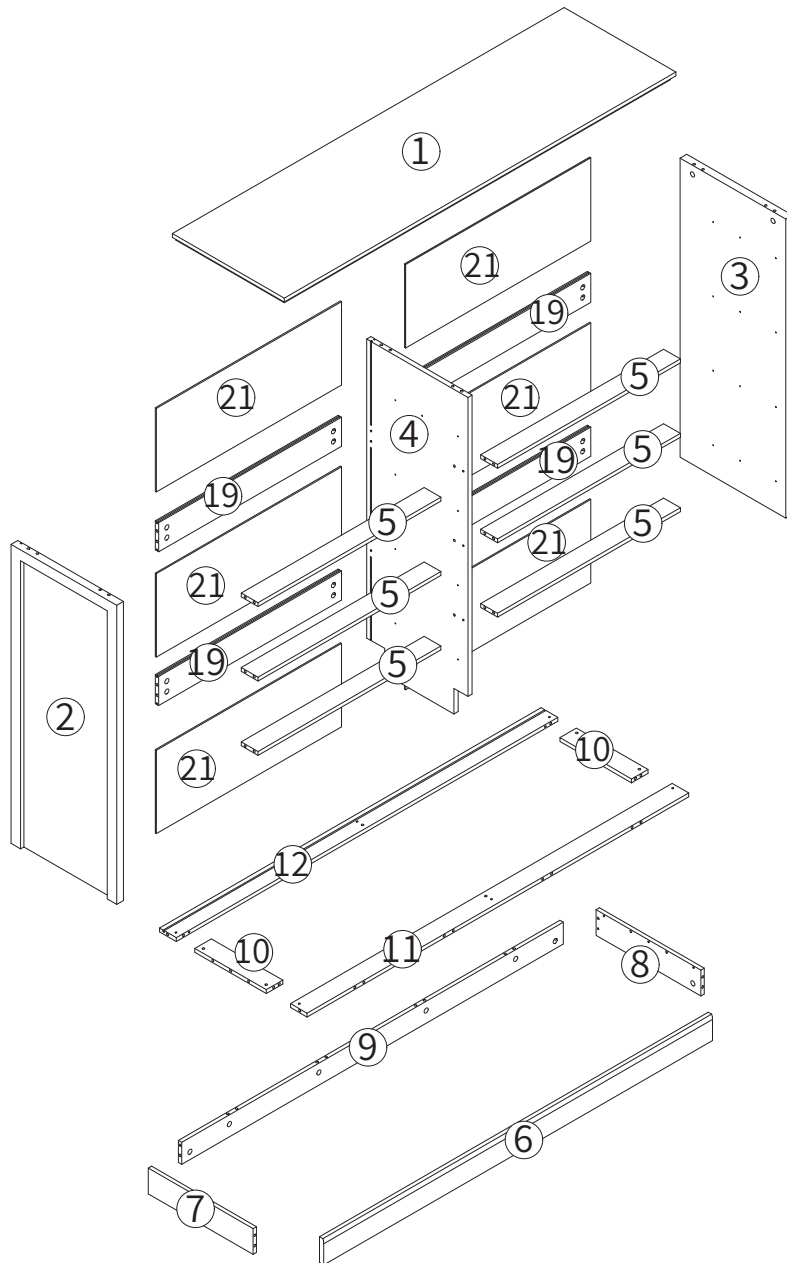


PLEASE DO NOT RETURN PRODUCT TO US IMMEDIATELY

If a part is missing or damaged, email our customer service.
We will gladly ship your replacement parts FREE of charge.

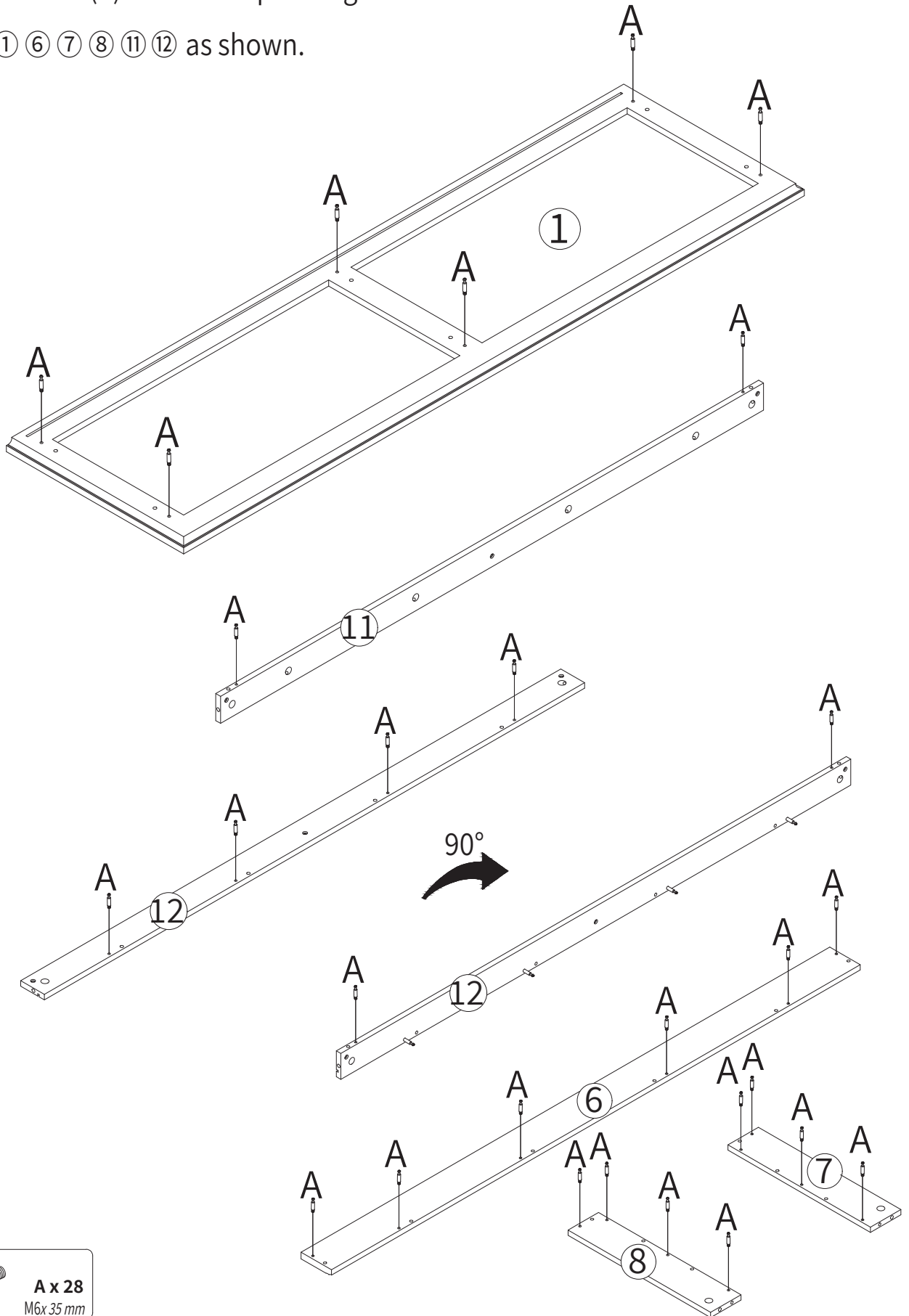
For Prompt, reliable service, please have your assemble instruction ready

 WARNING	
	Children have died from furniture tipover. To reduce the risk of furniture tipover: <ul style="list-style-type: none">• ALWAYS install anti-tip device provided.• NEVER put a TV on this product.• NEVER allow children to stand, climb or hang on any drawers, doors, or shelves.• NEVER open more than one drawer at a time.• Place heaviest items in the lowest drawers. <p>This is a permanent label. Do not remove!</p>
	



Step 1

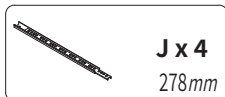
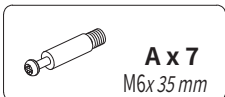
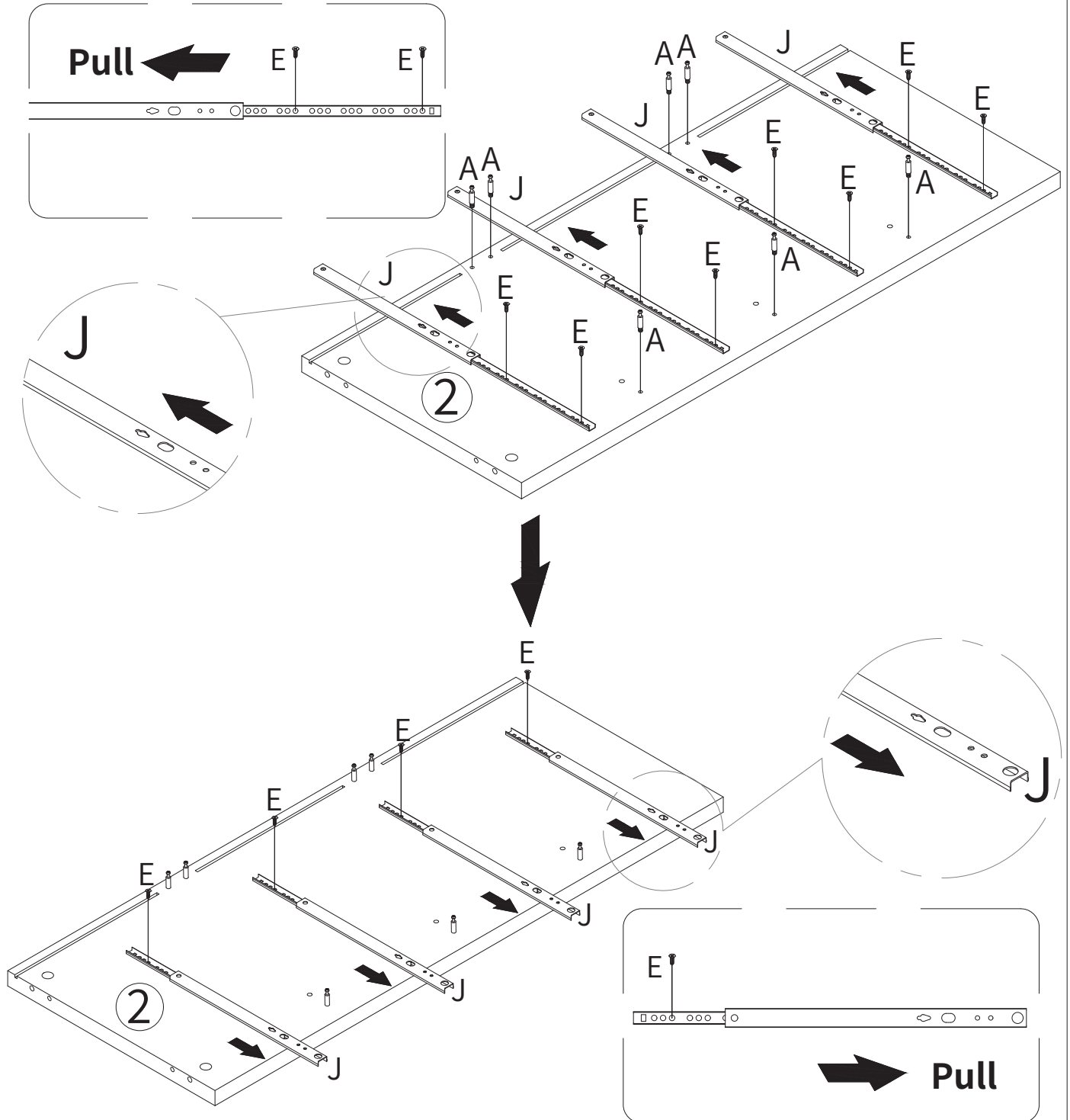
Insert screws(A) into corresponding holes in part ① ⑥ ⑦ ⑧ ⑪ ⑫ as shown.



Step 2

Insert as shown. fix outer drawer runner (J) to part ② using screws (E).

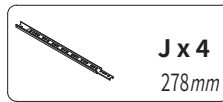
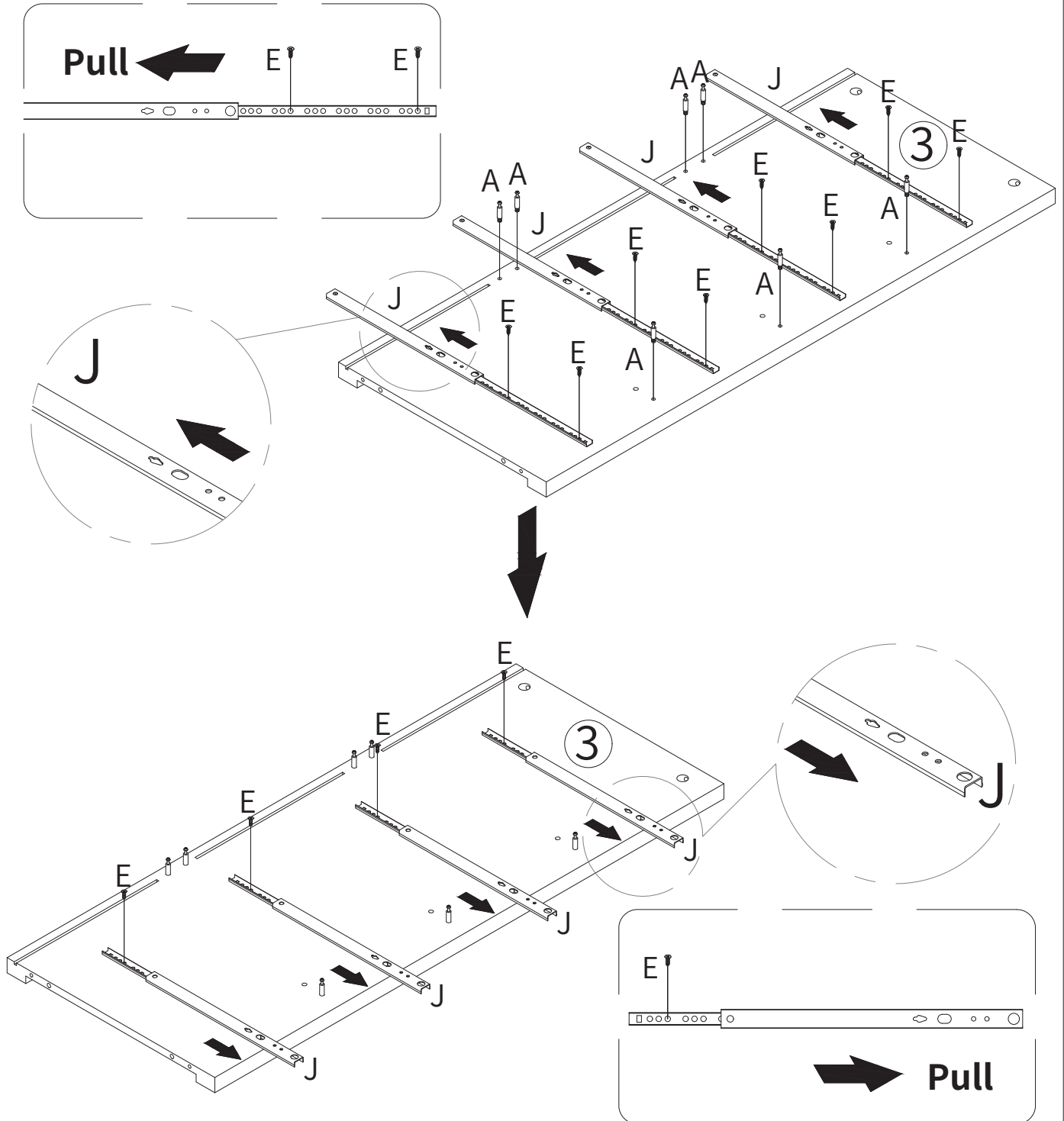
Insert screws (A) into corresponding holes in part ② as shown



Step 3

Insert as shown. fix outer drawer runner (J) to part ③ using screws (E).

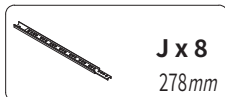
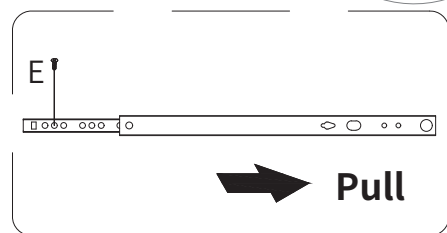
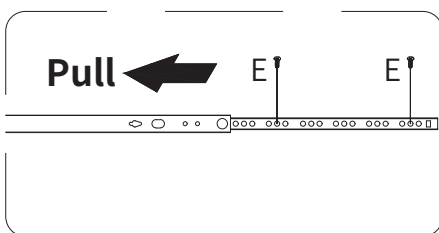
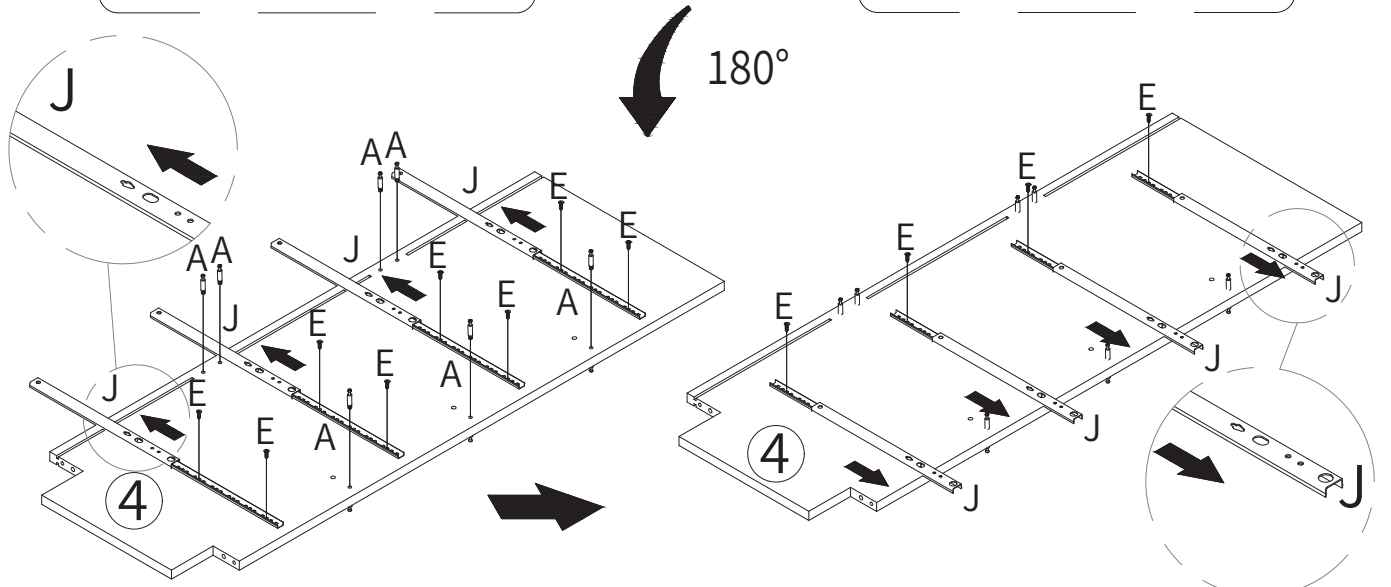
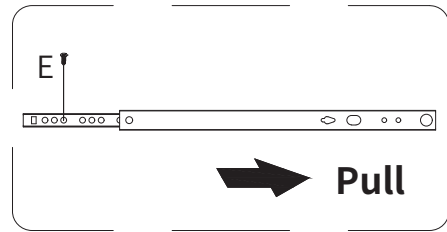
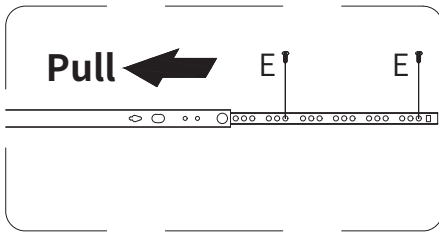
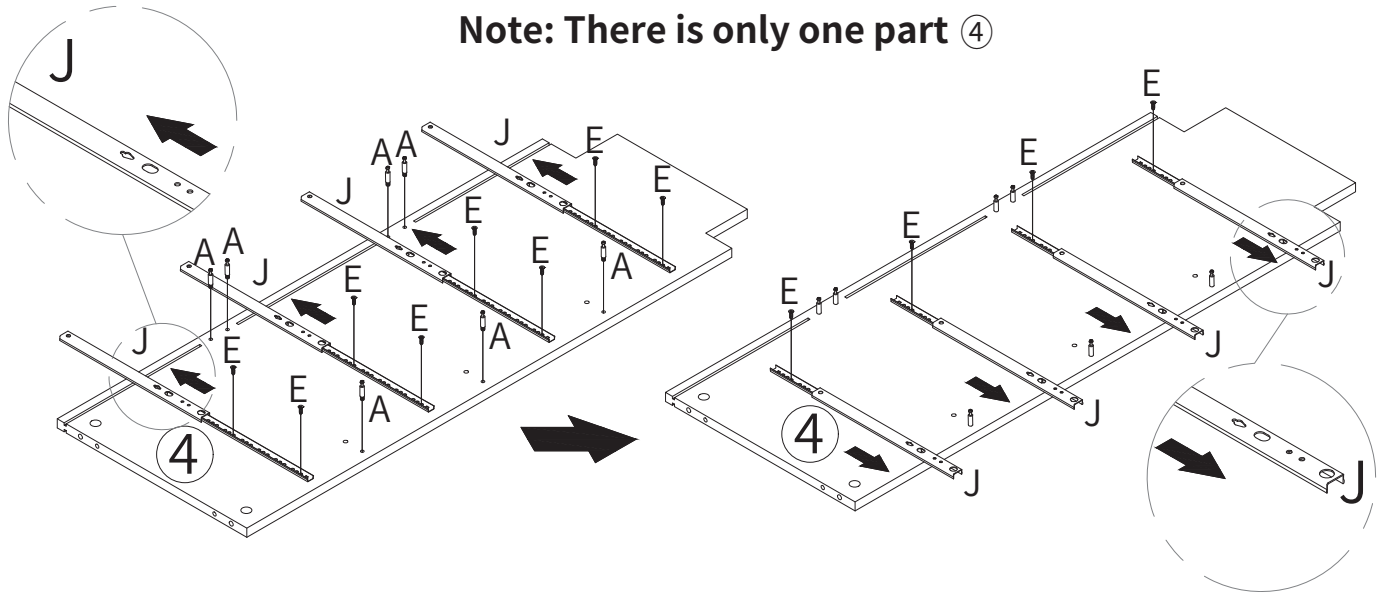
Insert screws (A) into corresponding holes in part ③ as shown



Step 4

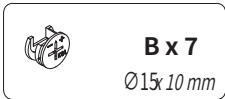
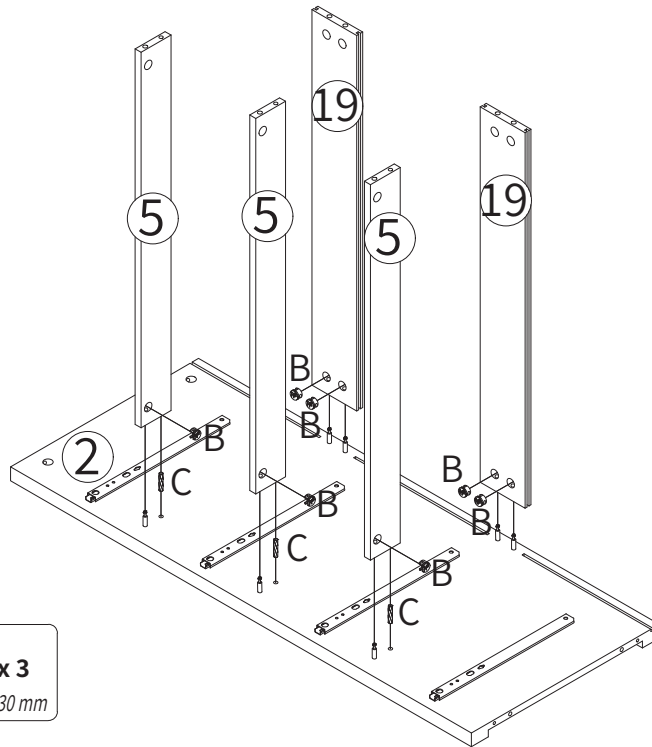
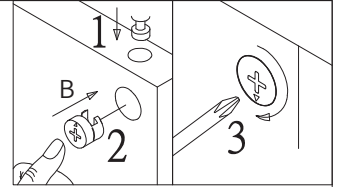
Lock the guide rail (J) to part ④ with screws (E) as shown Turn part ④ 180 degrees as shown and repeat the above operation.

Note: There is only one part ④



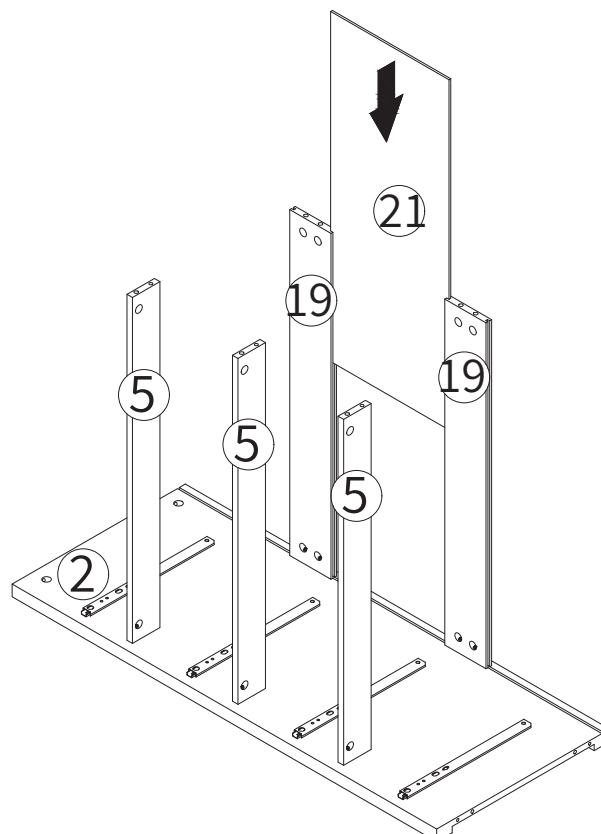
Step 5

As shown in the figure, first put the cork (C) into part ② .
Then connect part ② to ⑤ ⑱ Finally, place the eccentric (B)
in the pre-drilled hole and tighten it with a screwdriver



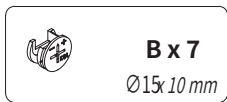
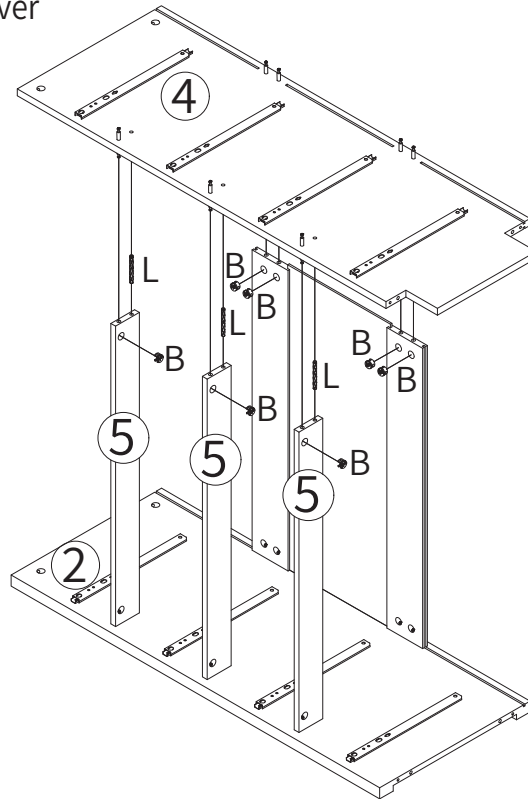
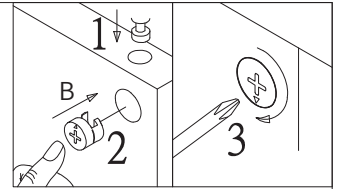
Step 6

As shown in the figure, part ⑳ is installed along the groove.



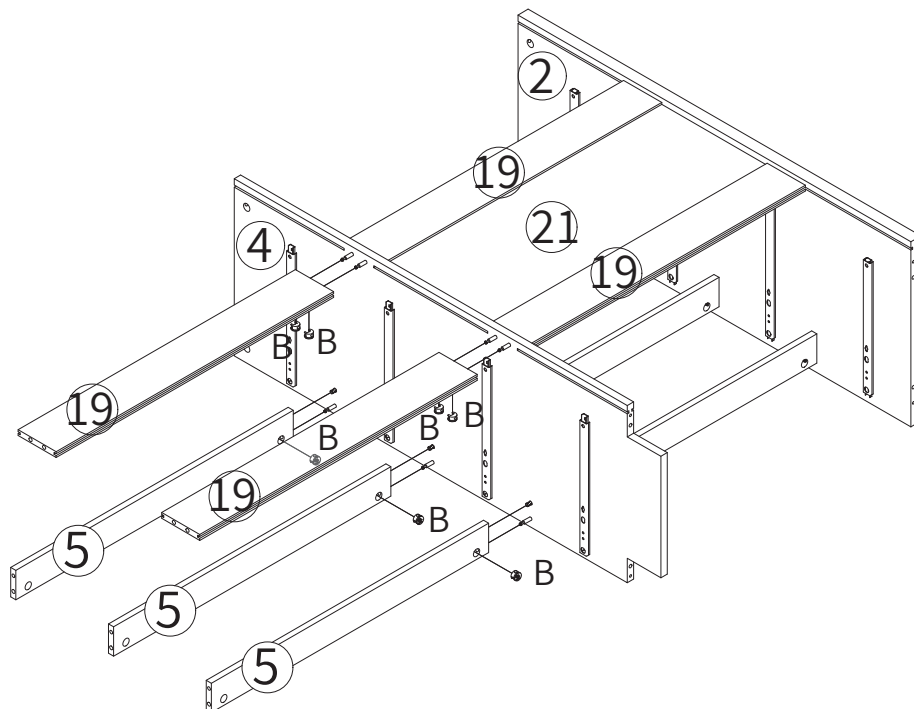
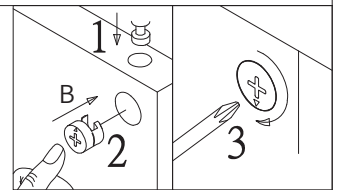
Step 7

Insert the wooden peg (L) into part ⑤. connect part ⑤ ⑱ with part ④. Finally, place the eccentric (B) in the pre-drilled hole and tighten it clockwise with a screwdriver



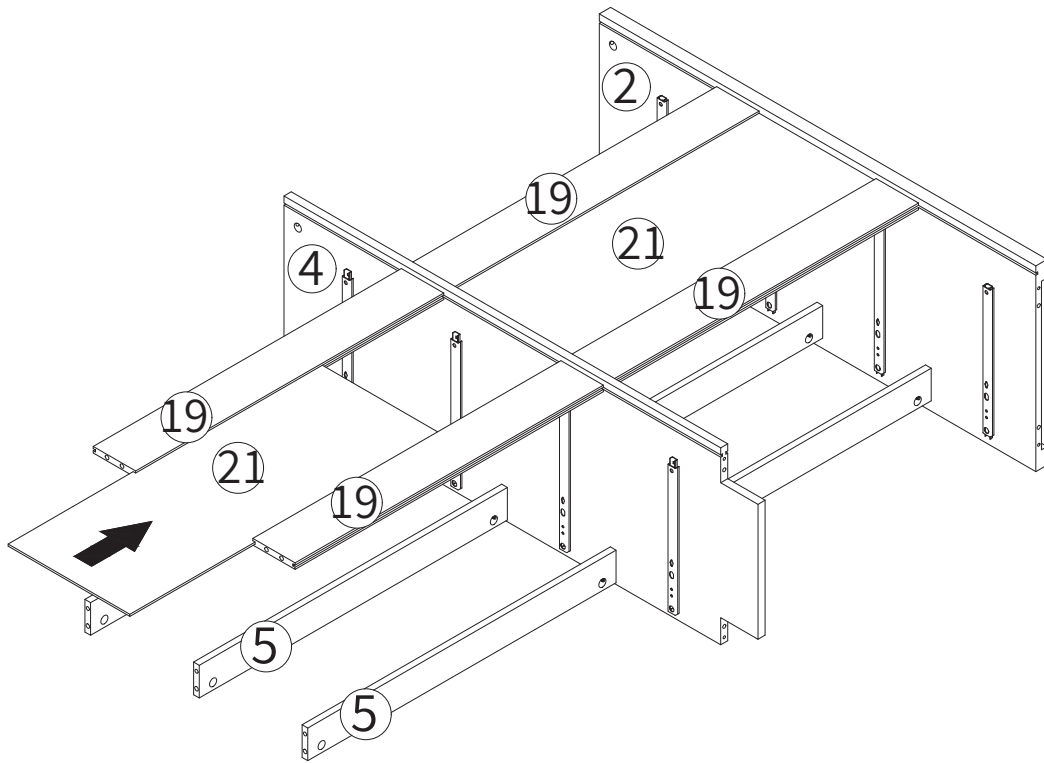
Step 8

As shown in the figure, connect part ⑤ ⑱ with part ④. place the eccentric (B) in the pre-drilled hole and tighten it with a screwdriver



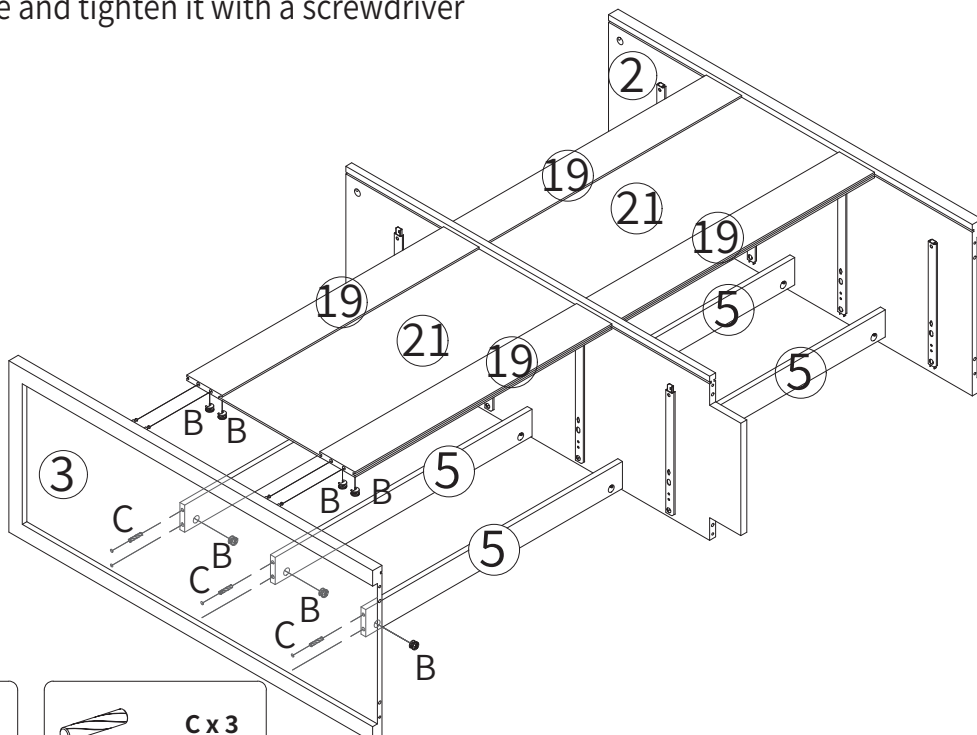
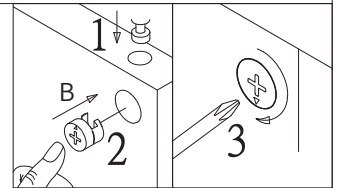
Step 9

As shown in the figure, part ⑳ is installed along the groove.



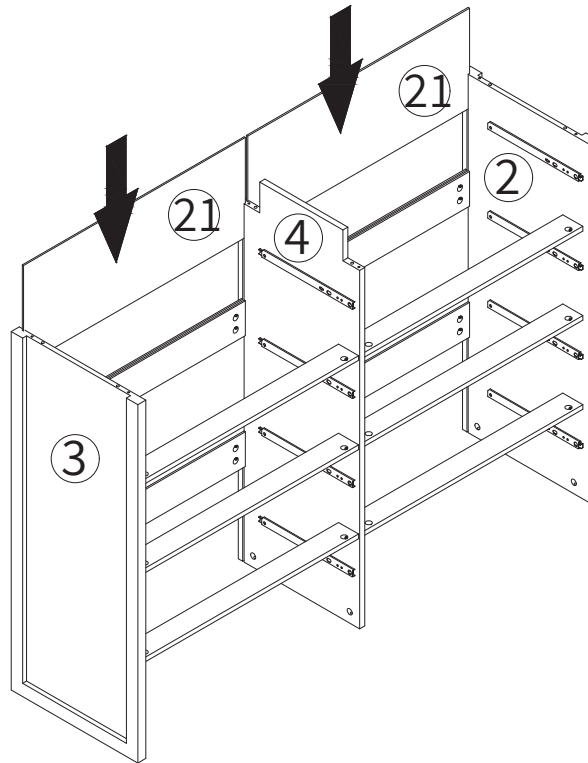
Step 10

As shown in the figure, first put the cork (C) into part ③ Then connect part ③ to ⑤ ⑱ Finally, place the eccentric (B) in the pre-drilled hole and tighten it with a screwdriver



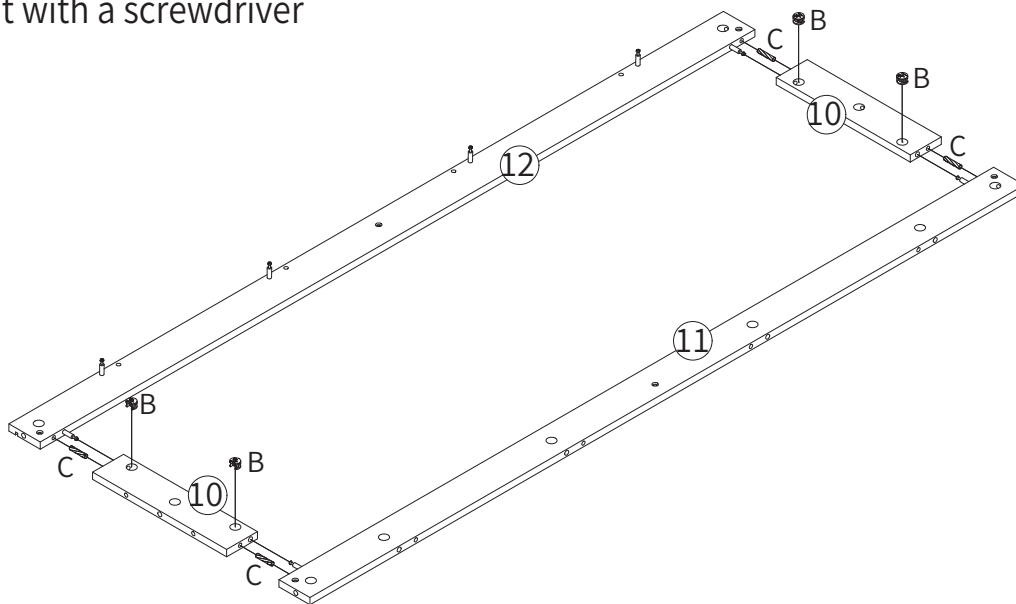
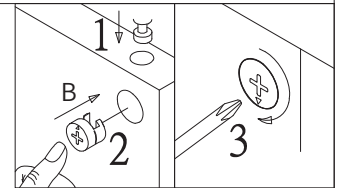
Step 11

As shown in the figure, part ⑳ is installed along the groove.



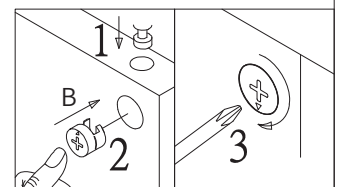
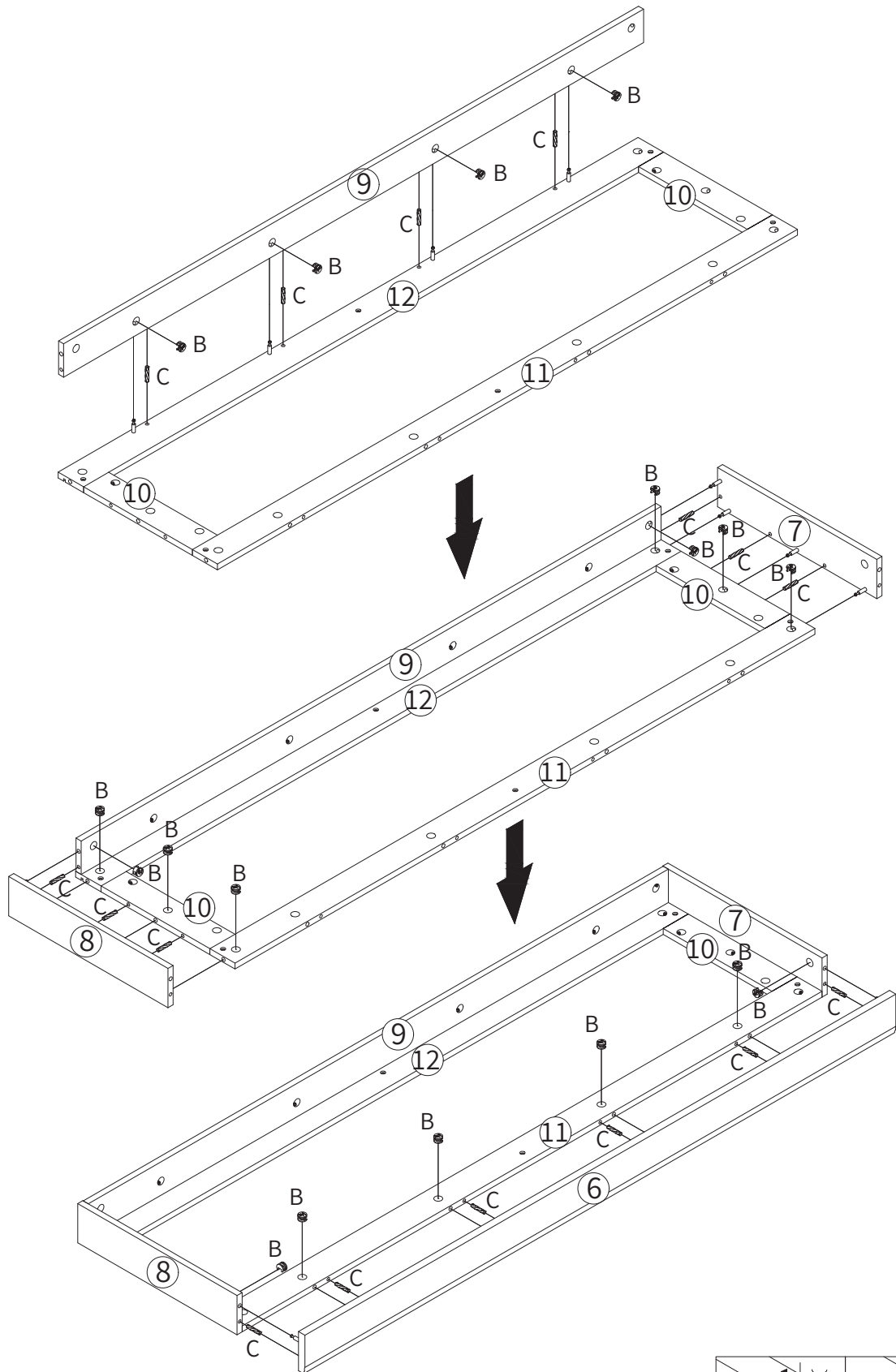
Step 12

As shown in the figure, first, insert the wooden peg (C) into the two parts ⑩, and then connect the parts ⑩ and ⑪, ⑫. Finally, place the eccentric (B) in the pre-drilled hole and tighten it with a screwdriver



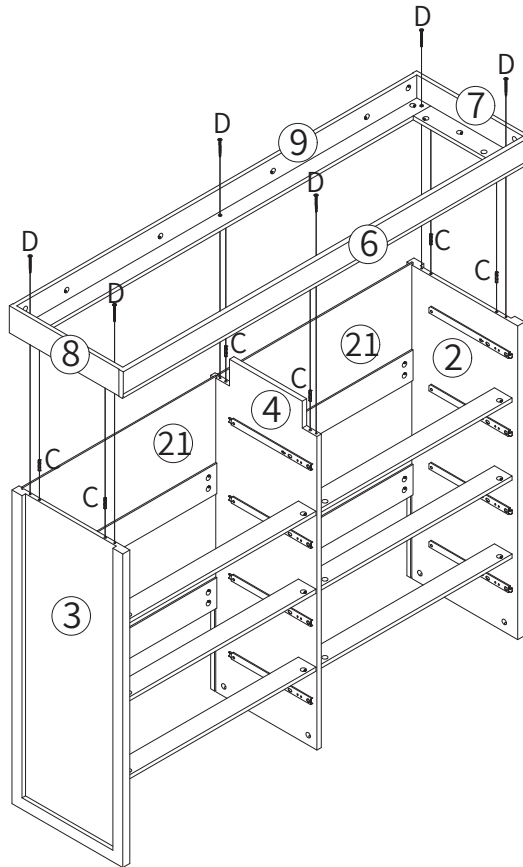
Step 13

First, place the wooden peg (C) in part ⑥ ⑦ ⑧ ⑨, and connect part ⑥ ⑦ ⑧ ⑨ and assembled unit. Then place the eccentric (B) in the pre-drilled hole and tighten it with a screwdriver.



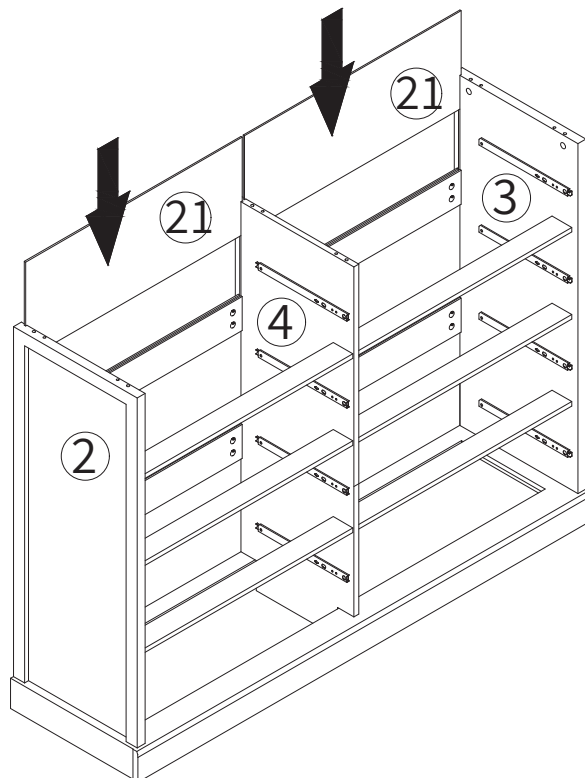
Step 14

First insert the wooden peg (C) into part ②, ③ and ④. Then use screws (D) to connect part ② ③ ④ and part pedestal



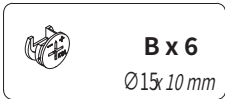
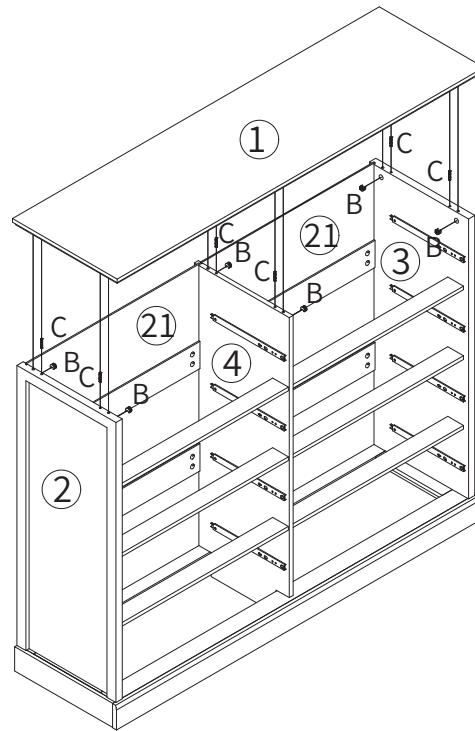
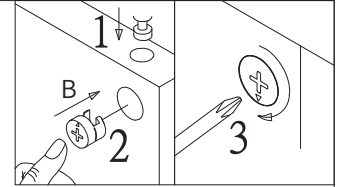
Step 15

As shown in the figure, part ②① is installed along the groove.



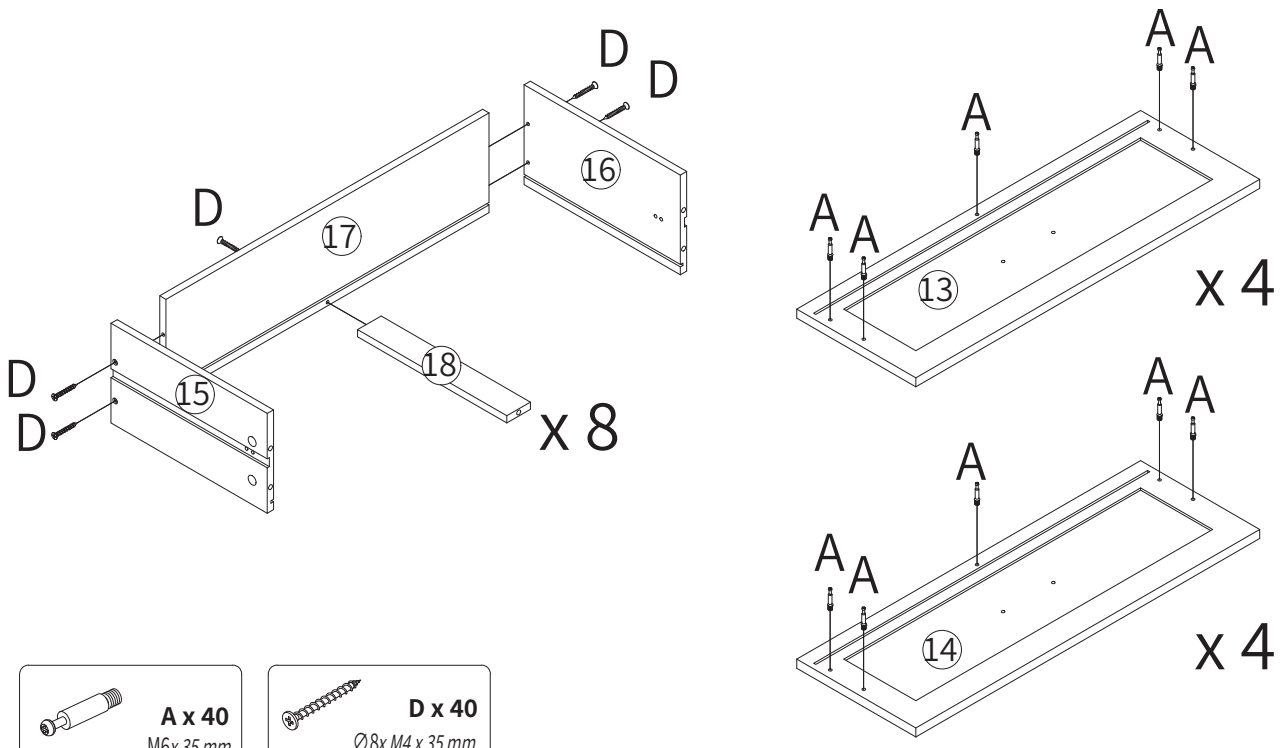
Step 16

First insert the wooden peg (C) into part ② ③ and ④ Then connect part ① and part ② ③ ④. Finally, place the eccentric (B) in the pre-drilled hole and tighten it with a screwdriver.



Step 17

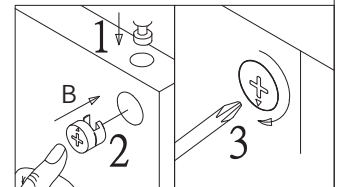
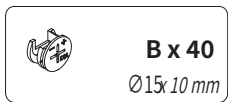
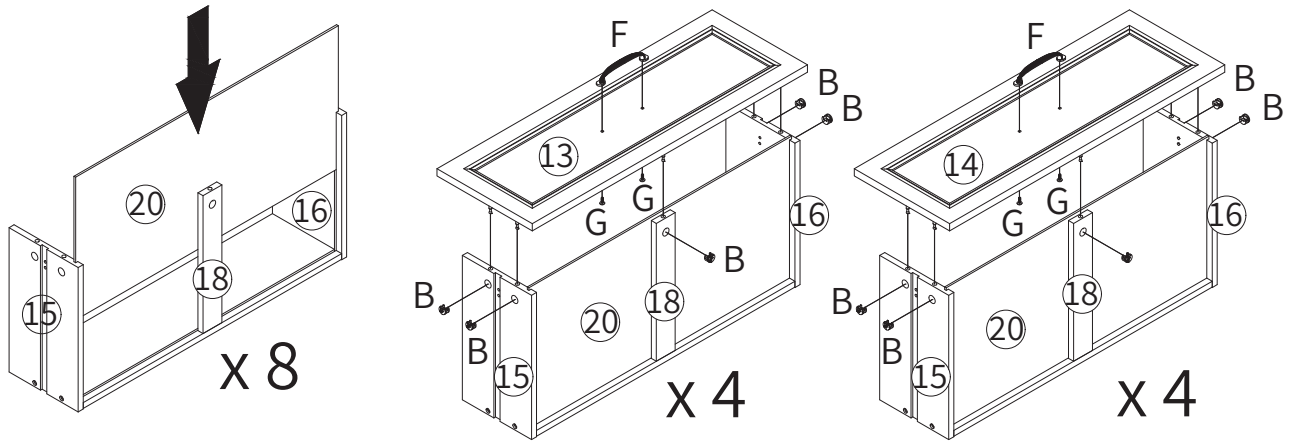
As shown in the figure, use screws (D) to assemble panels ⑮ ⑯ ⑰ ⑱. Insert screws (A) into corresponding holes in part ⑲ ⑳



Step 18

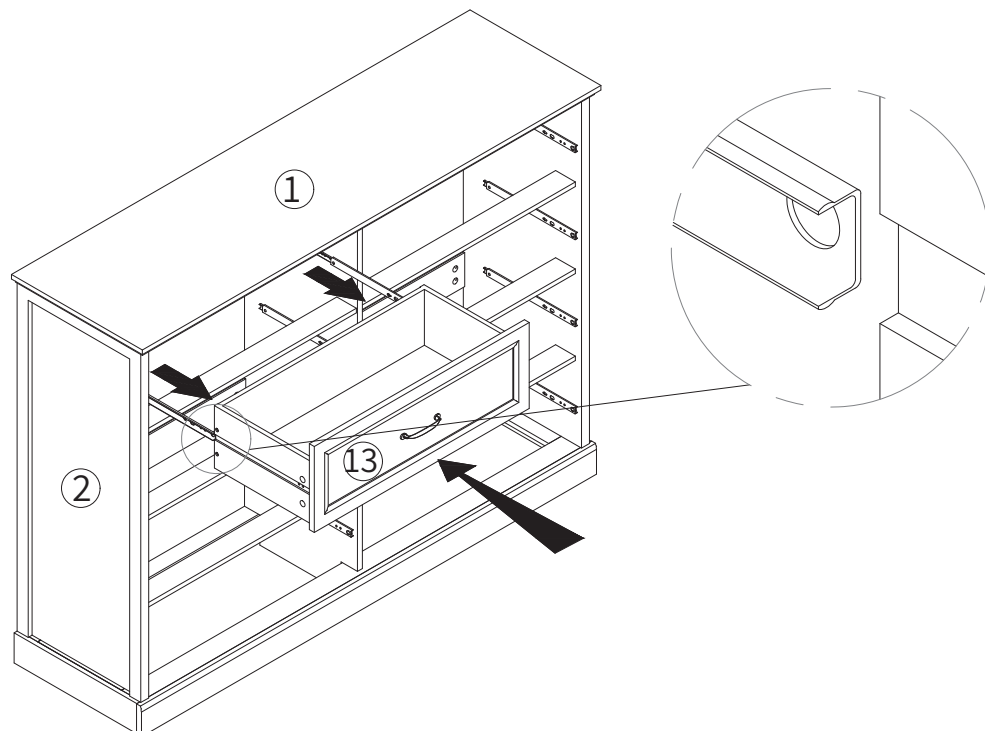
As shown in the figure, part ⑳ is installed along the groove.

Use screws (G) to connect the handle (F) to part ⑬ ⑭. Then connect part ⑬ ⑭ and part ⑮ ⑯ ⑱. Finally, place the eccentric (B) in the pre-drilled hole and tighten it with a screwdriver



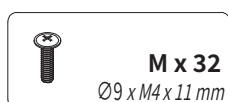
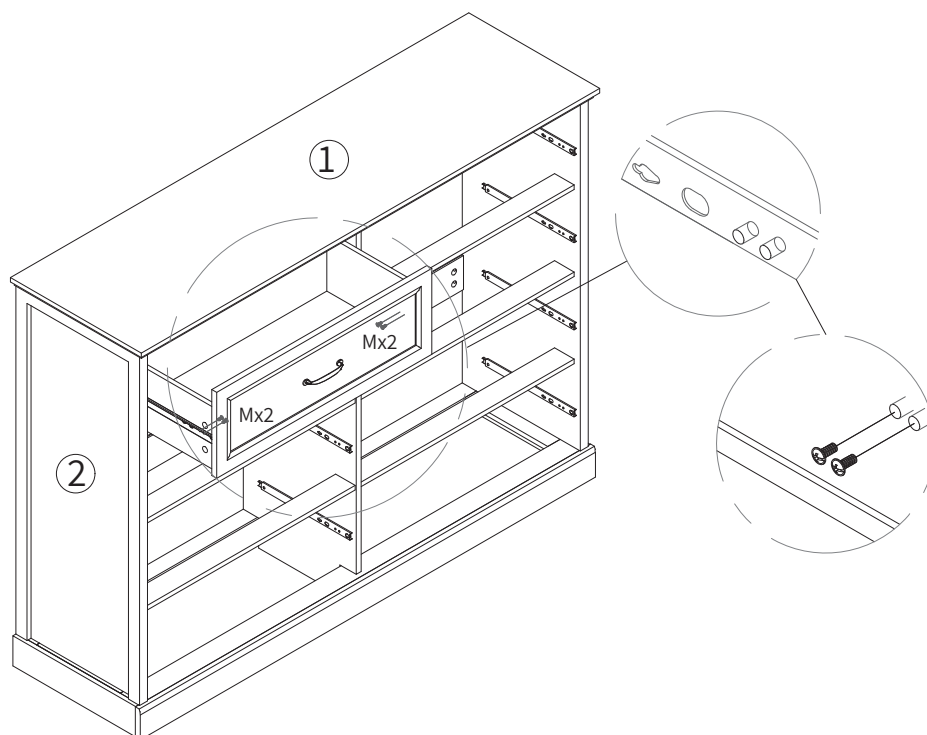
Step 19

As shown in the figure, after confirming that the sliding rails on both sides are close to the slot at the same time, push the drawer inward.



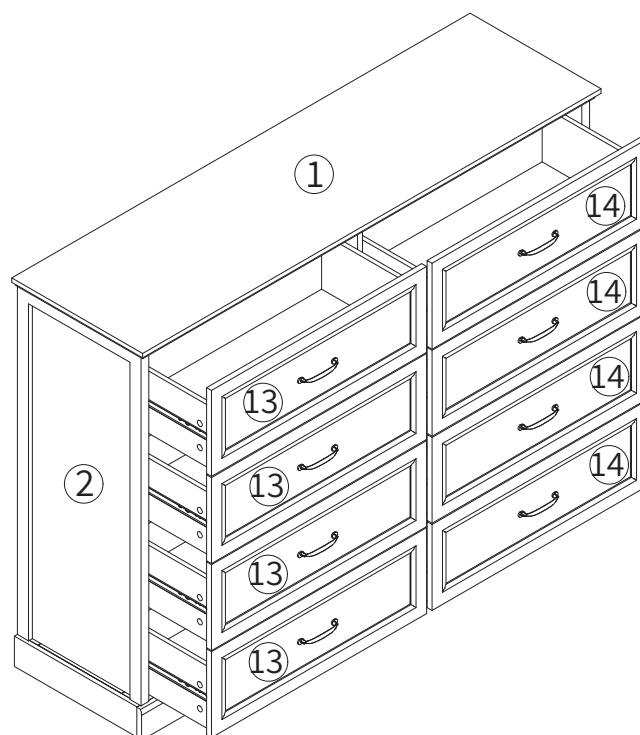
Step 20

Align the panel holes with the guide rail holes and secure them with screws(M).The installation position is as shown below.



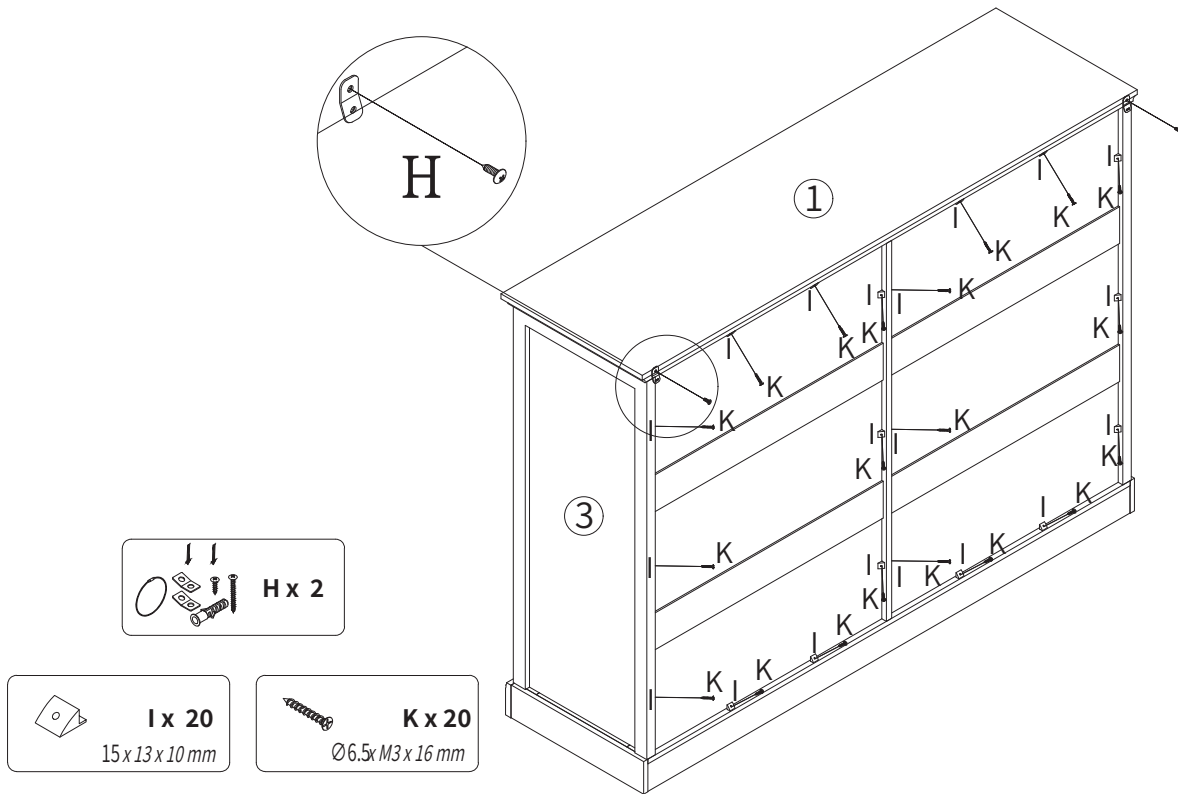
Step 21

All left and right drawers assembled as shown in the figure



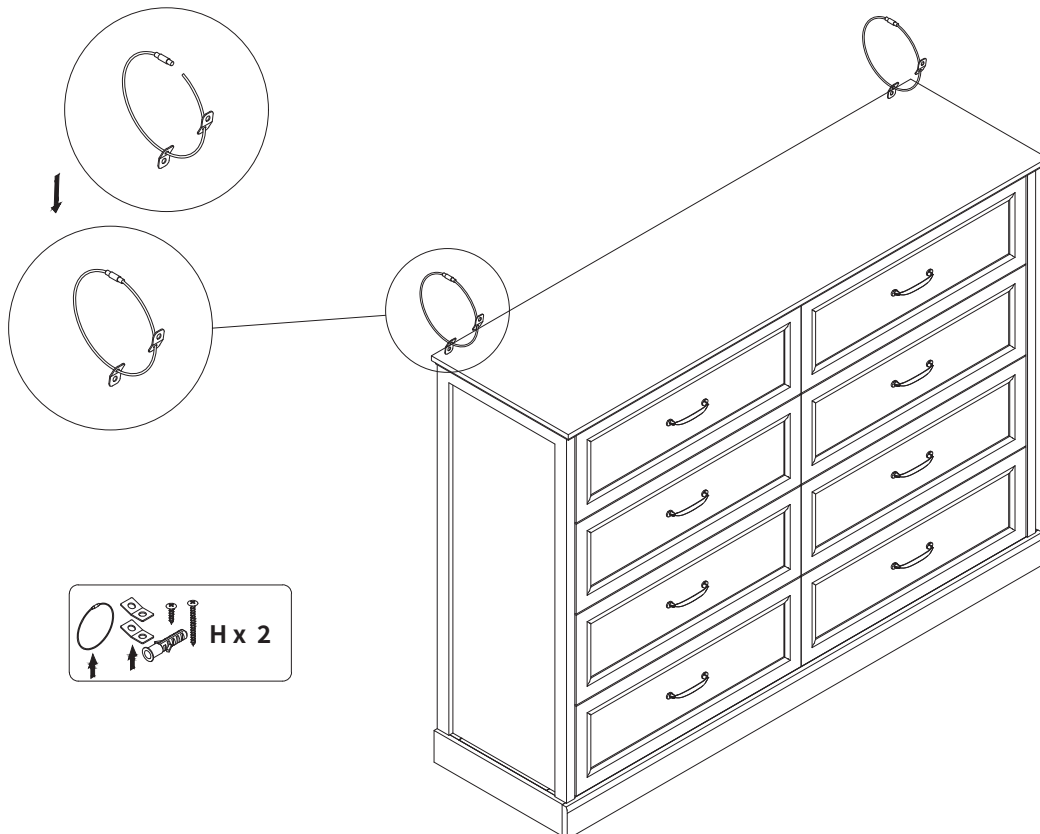
Step 22

As shown in the picture, first use screws (K) to fix part (I) to the back plate. Use screws (H) to fix the back buckle (H) to part ①



Step 23

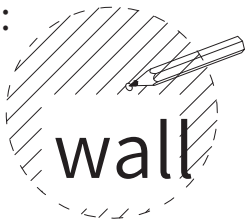
Install (H) in the corresponding position as shown in the figure.



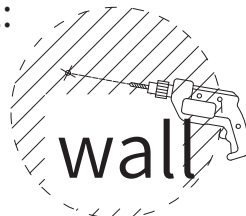
Step 24

WARNING: Always ensure the area to be drilled is free from hidden electrical wires, water and gas pipes.

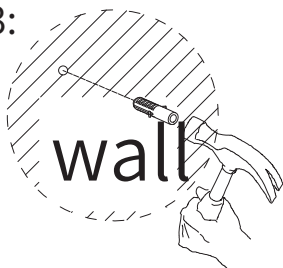
1:



2:



3:



4:

