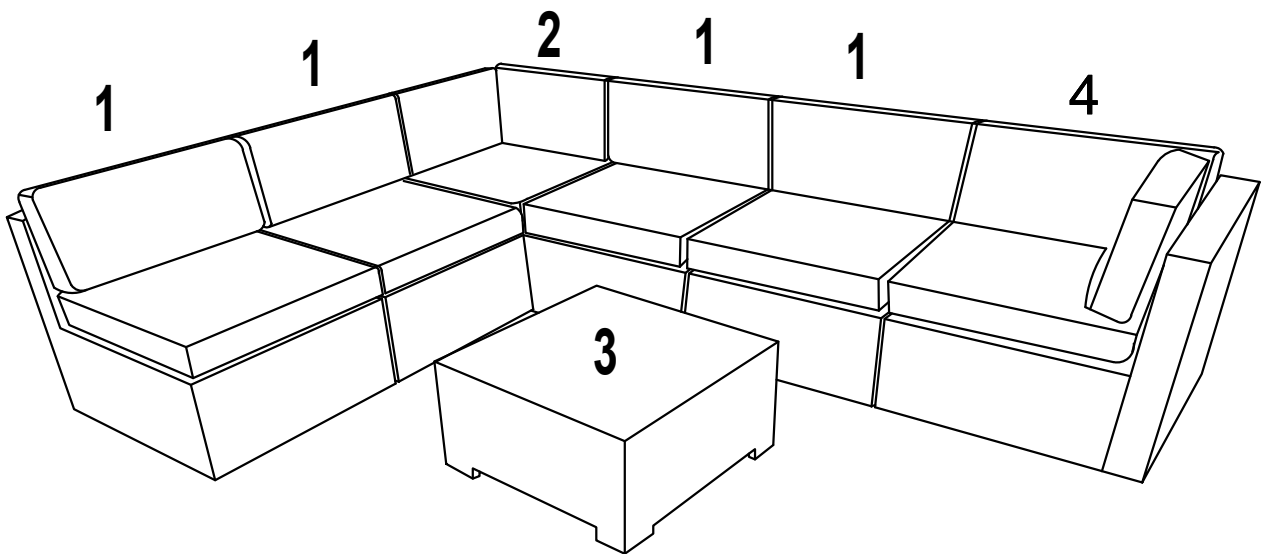


# Assembly Instructions

7 Pieces Outdoor Wicker  
Sectional Conversation Set



1	Armless Sofa
2	Right Corner Sofa
3	Coffea table
4	Left Corner Sofa

# Pre-assembly

## Safety information

- Two or more people are required for this assembly.
- Some parts may contain sharp edges. Wear protective gloves.
- When assembling and using this product, basic safety precautions should always be followed to reduce the risk of personal injury and damage to equipment. Please read all instructions before assembly and usage.



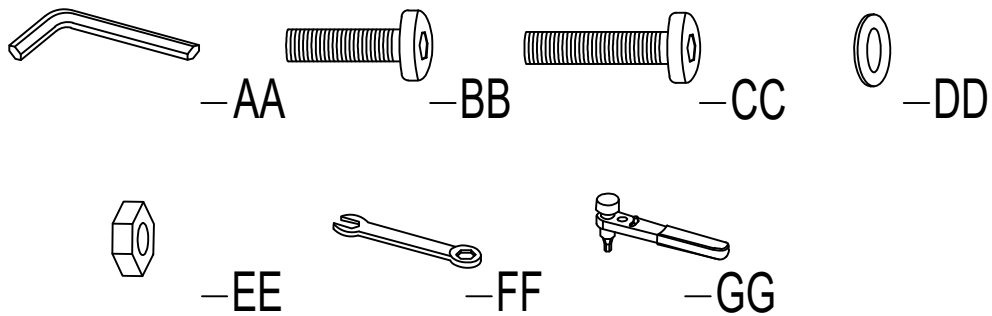
**WARNING:** Keep all children and pets away from assembly area. Children and pets should be supervised when they are in the area of the sofa set construction. Keep assembly area at least 6 feet from any obstruction such as fence, garage, house, overhanging branches, laundry line or electrical wires. Check all bolts for tightness before use. IMPORTANT- check and tighten bolts often to keep them secure!



**CAUTION:** Sofa is for seating purpose only. Standing on or misuse of the sofa may result in damage or injury. Not intended for commercial use. Weight limited for the seat: 250 lbs (113.5kg)

**NOTICE:** For outdoor use only

# HARDWARE INCLUDED


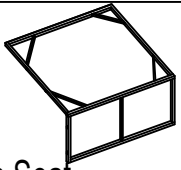

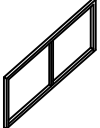
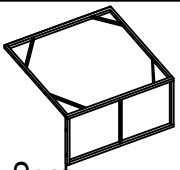
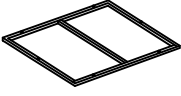
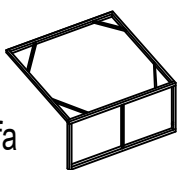
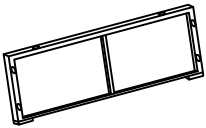
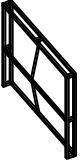
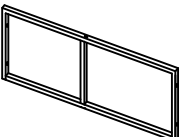
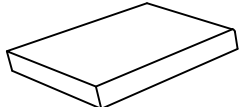
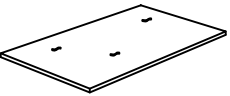

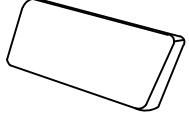



Part	Description	Quantity
AA	Allen Wrench	1
BB	M6 x 35 mm	56
CC	M6 x 50 mm	44

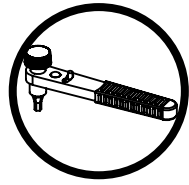
Part	Description	Quantity
GG	Semi-auto Wrench	1

Part	Description	Quantity
DD	M6 washer	144
EE	M6 Nut	44
FF	Hex wrench	1

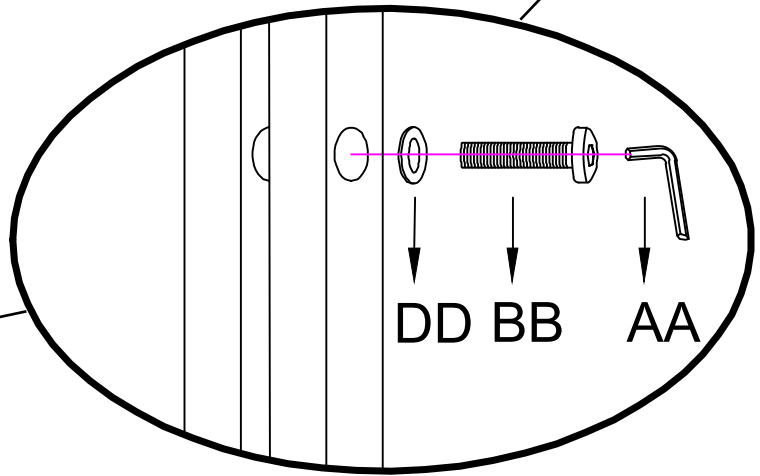
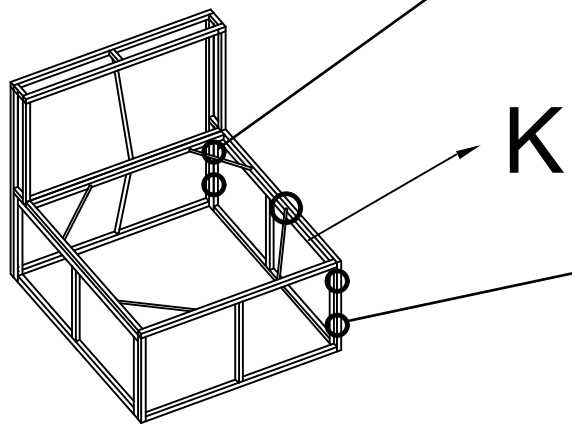
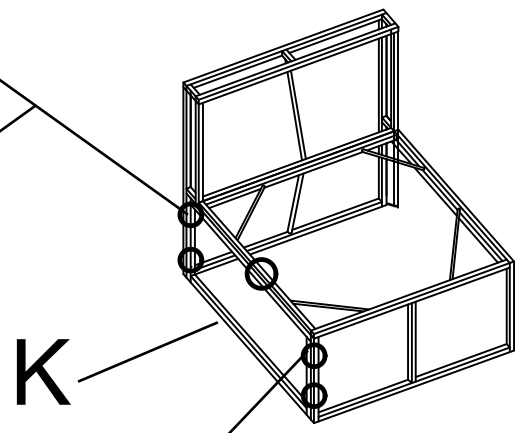
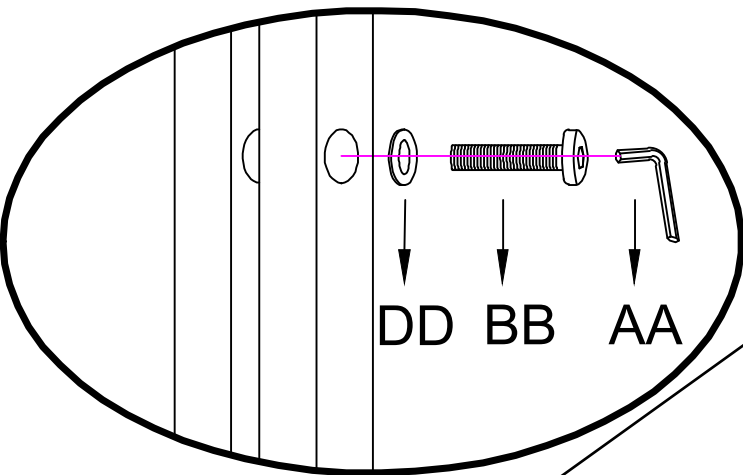
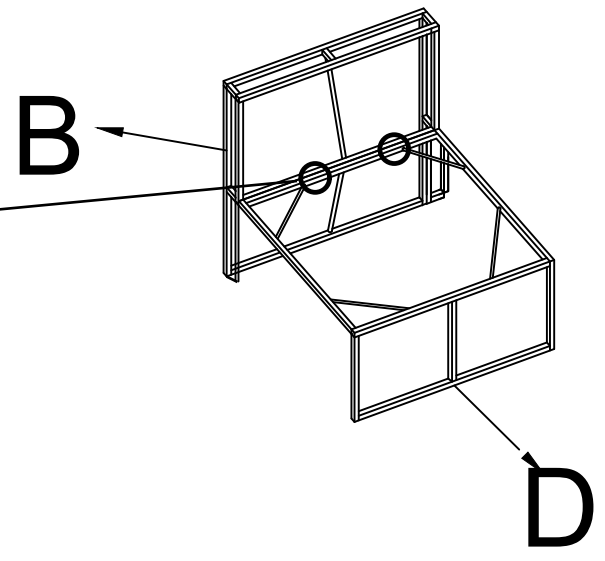
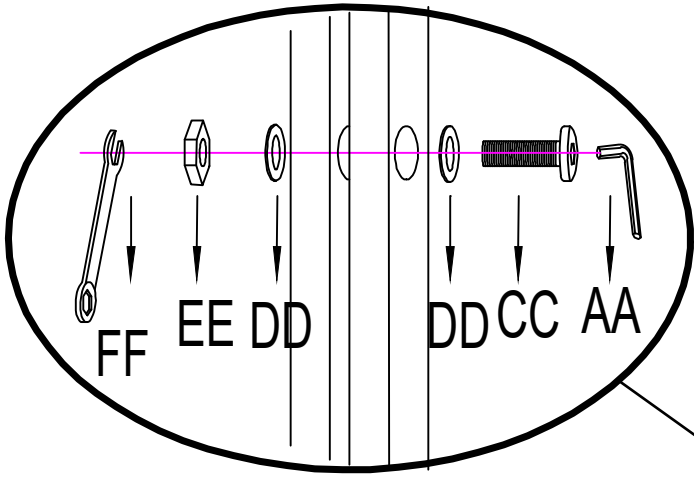
# PACKAGE CONTENES

A	Right Corner Sofa Backrest		1	J	Left Corner Sofa Seat		1
B	Armless Sofa backrest		4	K	Sofa side		10
C	Right Corner Sofa Seat		1	L	Coffee Table Top		1
D	Armless Sofa Seat		4	M	Coffee table side		2
E	Armrest		2	U	Coffee table front/back		2
F	Seat Cushion		6	V	Glass Table Top		1
G	Back Cushion		6	W	Armrest cushion		2
H	Left Corner Sofa Backrest		1				

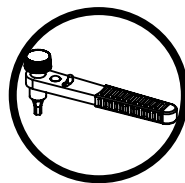
# Armless Sofa Assembly



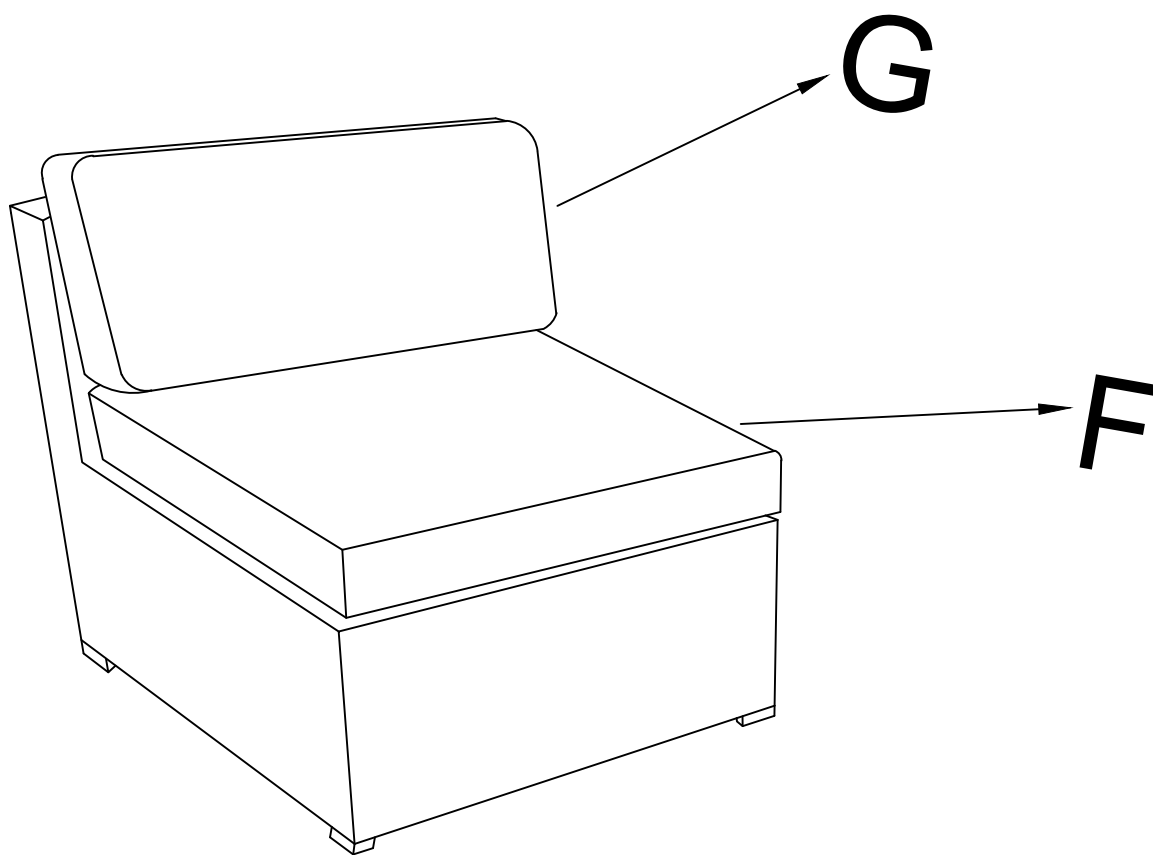
Use Semi-auto Wrench to speed up your assembly.



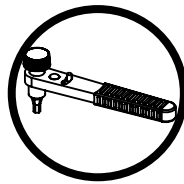
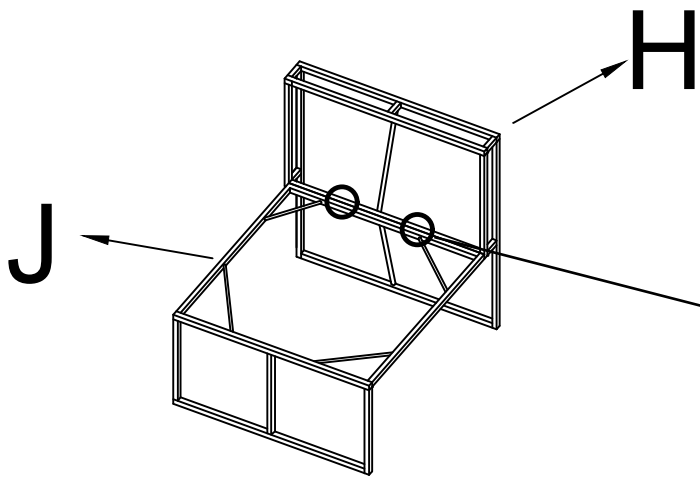
# Armless Sofa ASSEMBLY



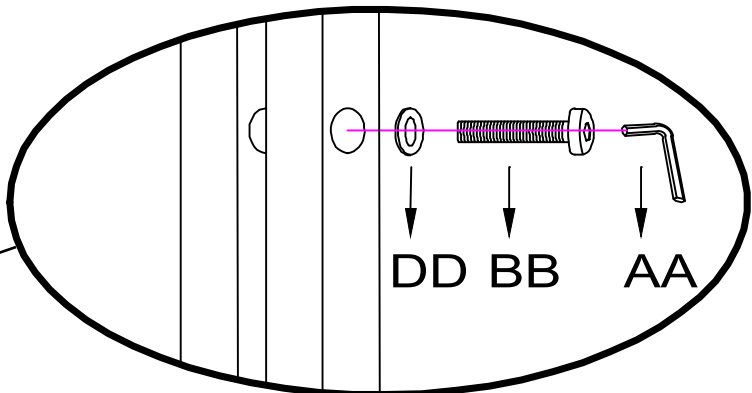
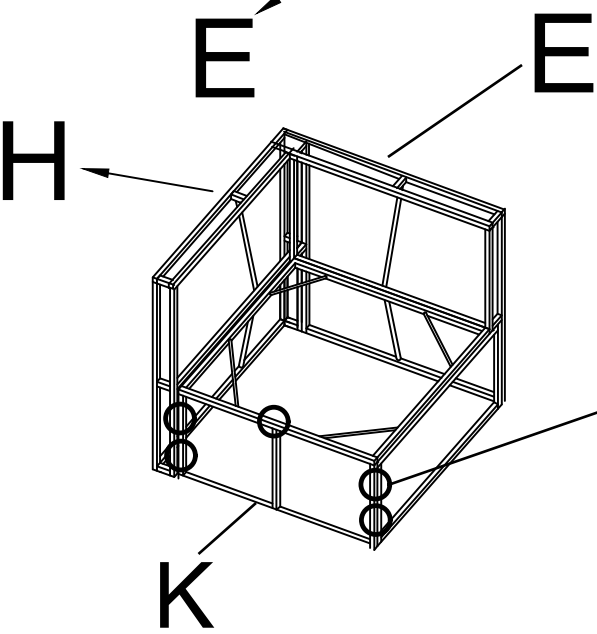
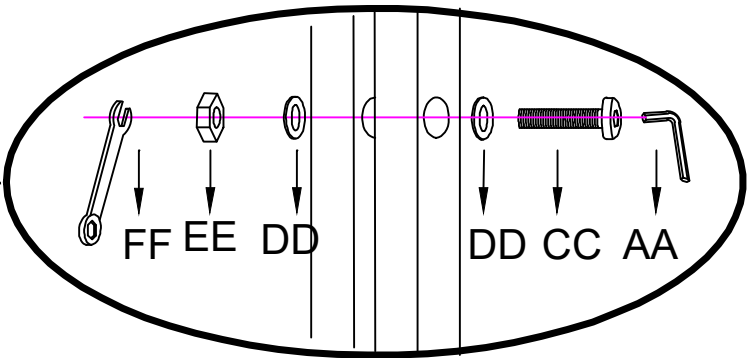
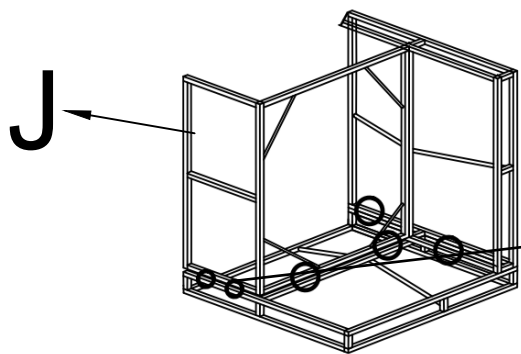
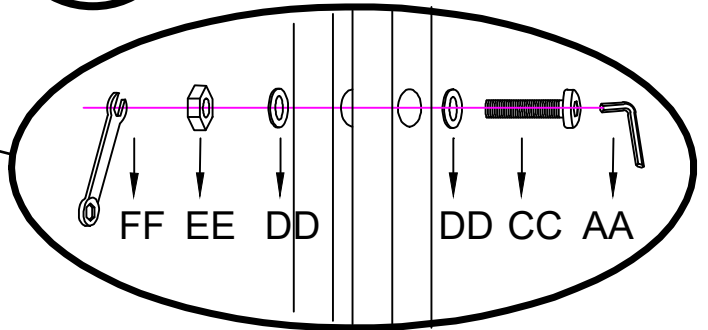
Use Semi-auto Wrench to speed up your assembly.



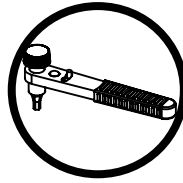
# Left Corner Sofa Assembly



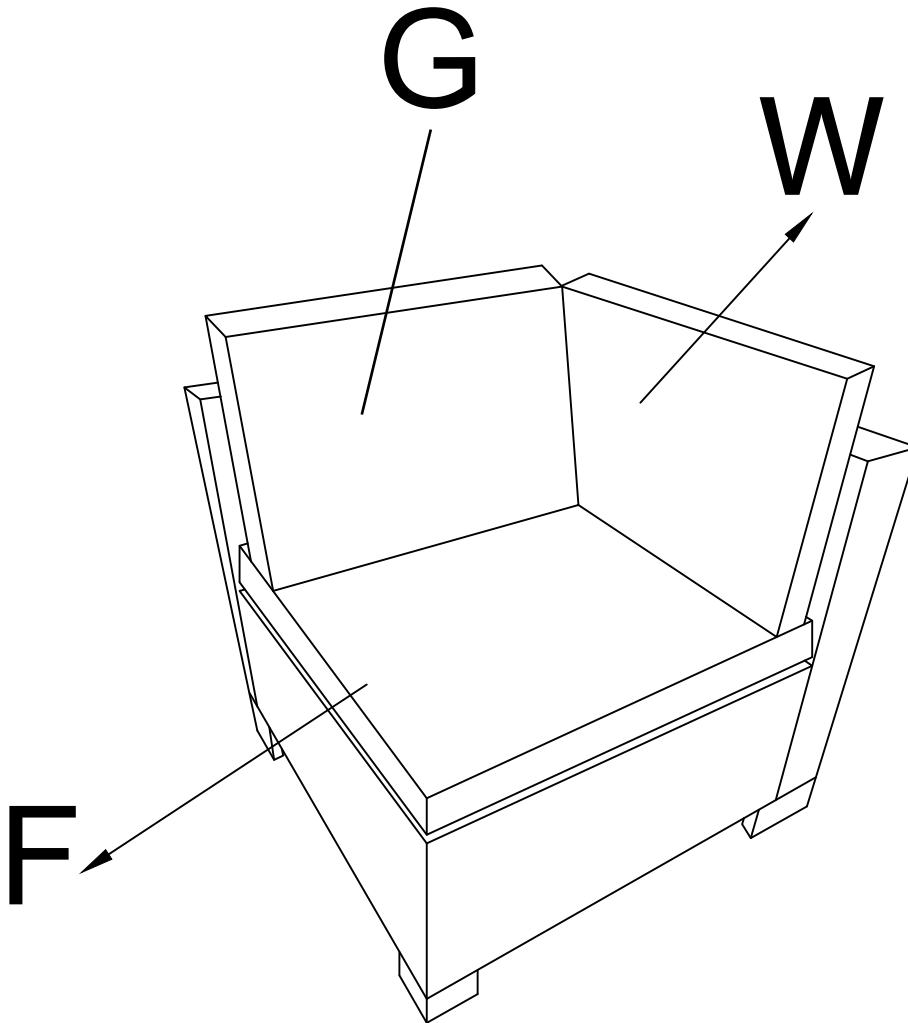
Use Semi-auto Wrench to speed up your assembly.



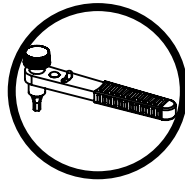
# Left Corner Sofa Assembly



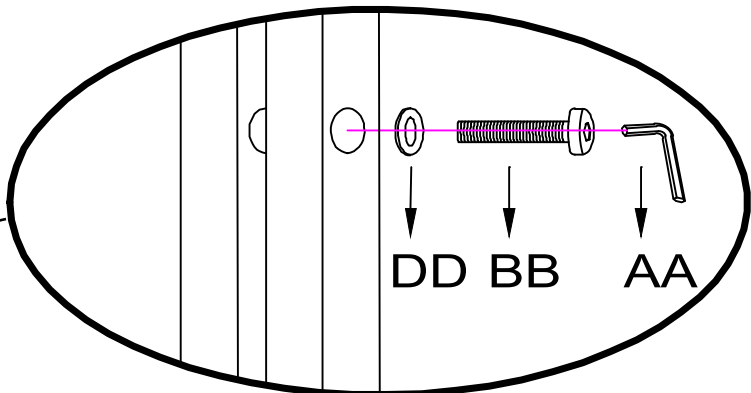
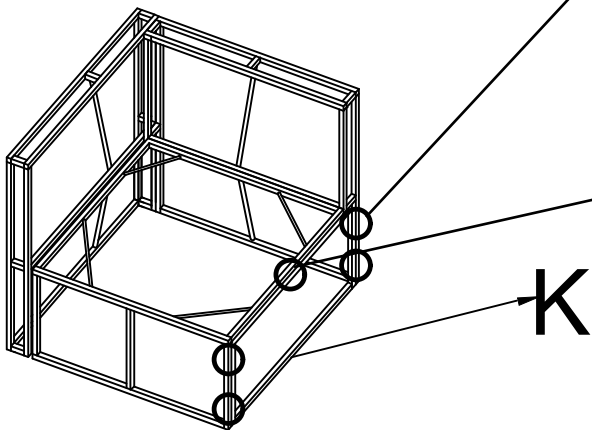
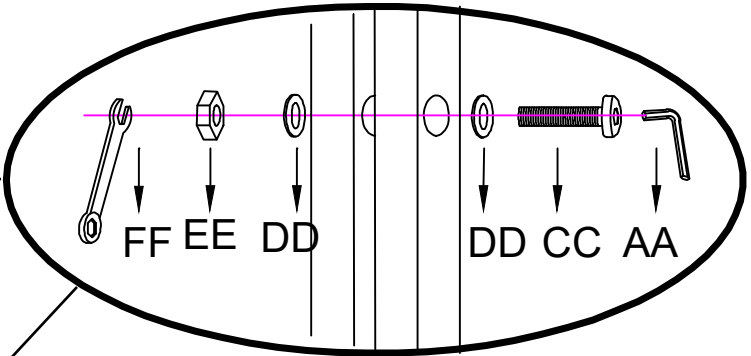
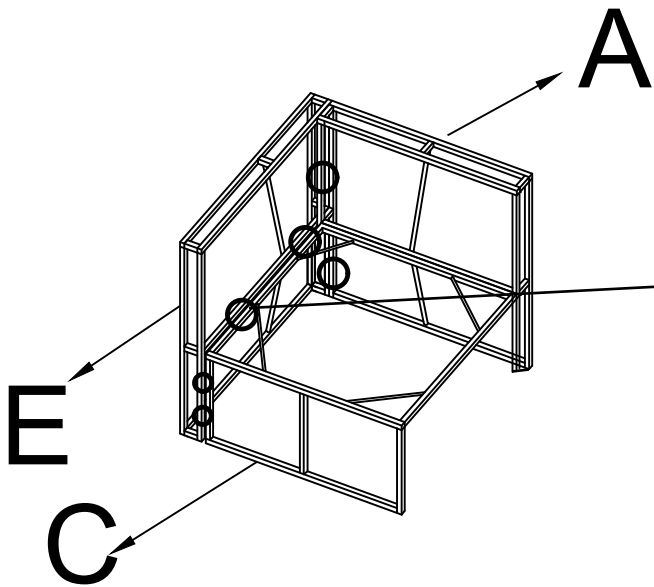
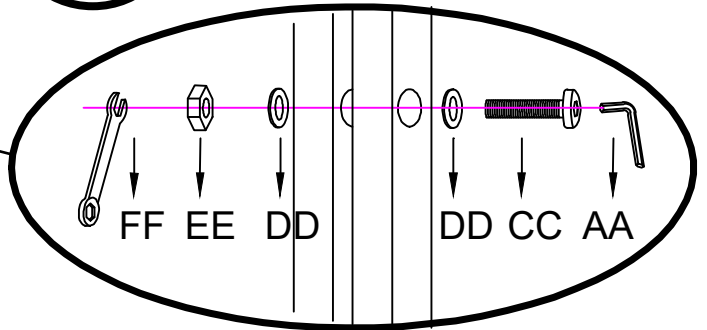
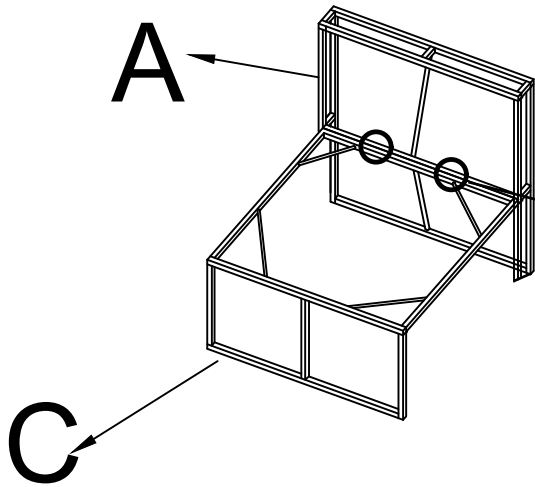
Use Semi-auto Wrench to speed up your assembly.



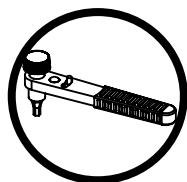
# Right Corner Sofa Assembly



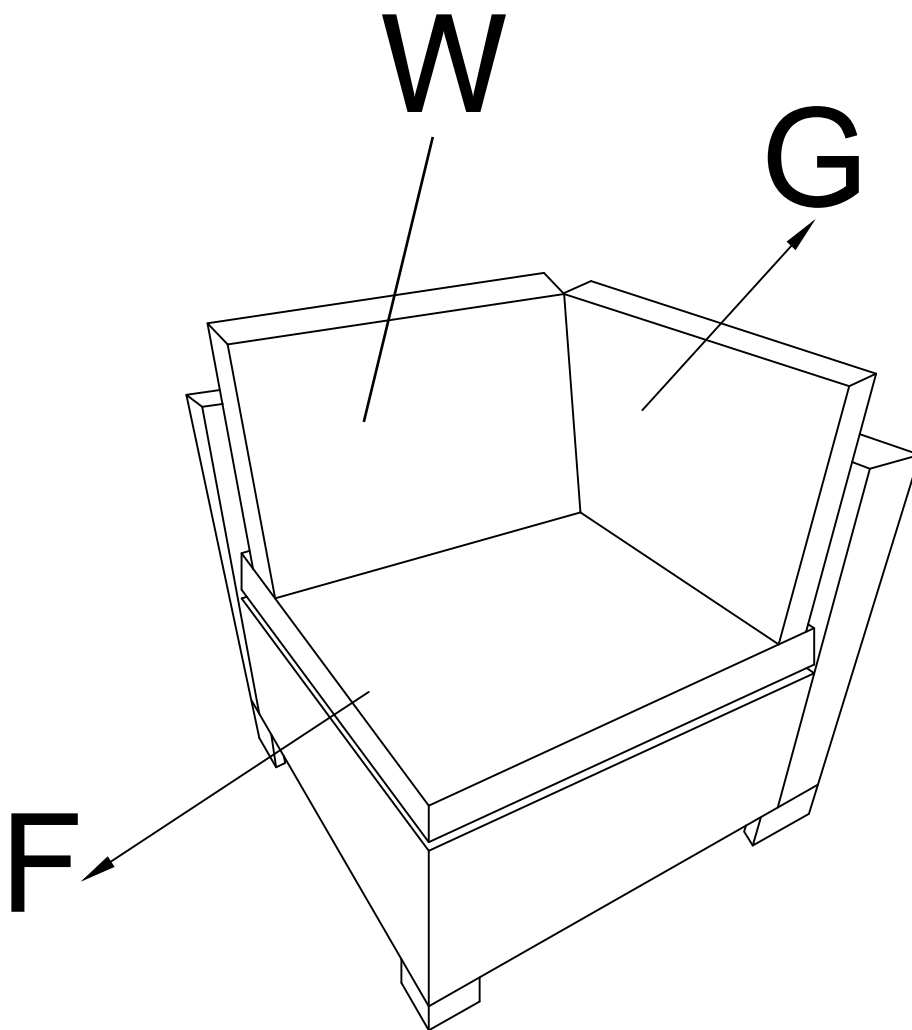
Use Semi-auto Wrench to speed up your assembly.



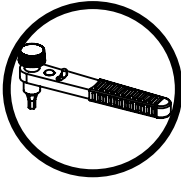
# Right Corner Sofa Assembly



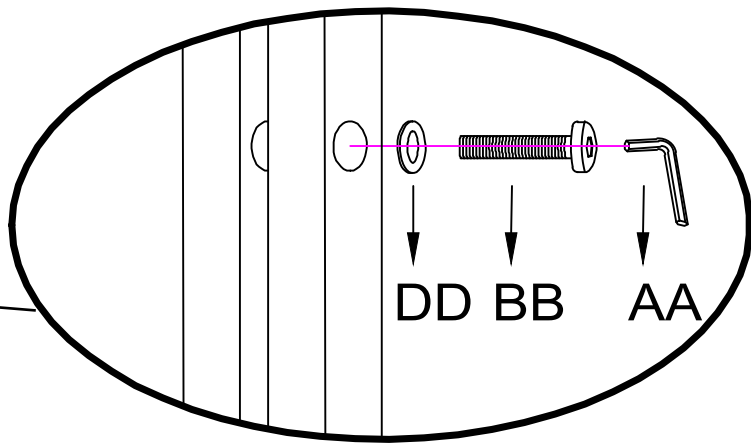
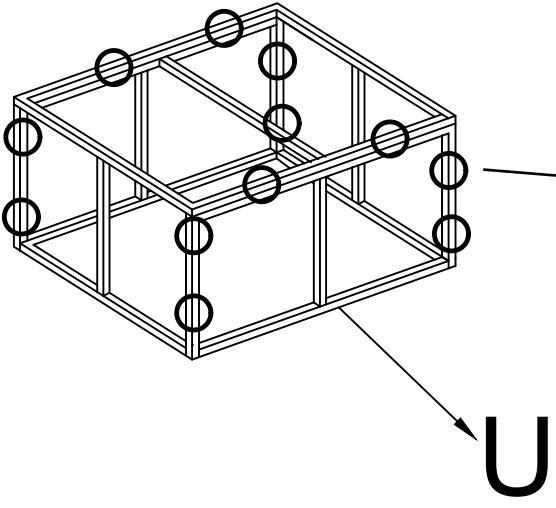
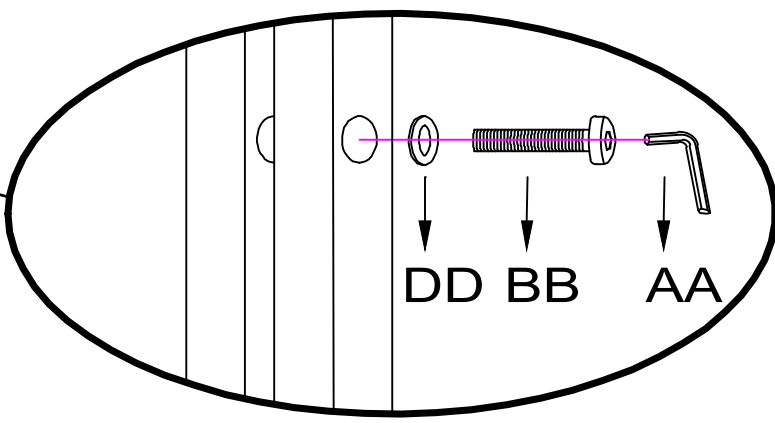
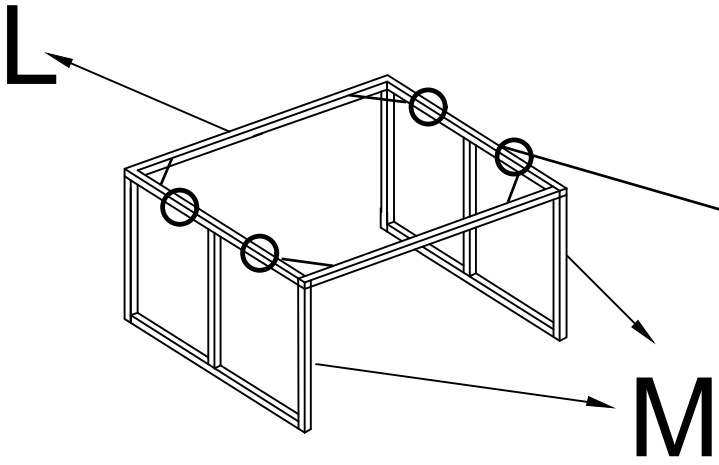
Use Semi-auto Wrench to speed up your assembly.

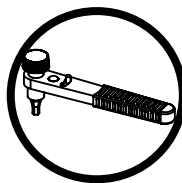


# Coffee Table Assembly

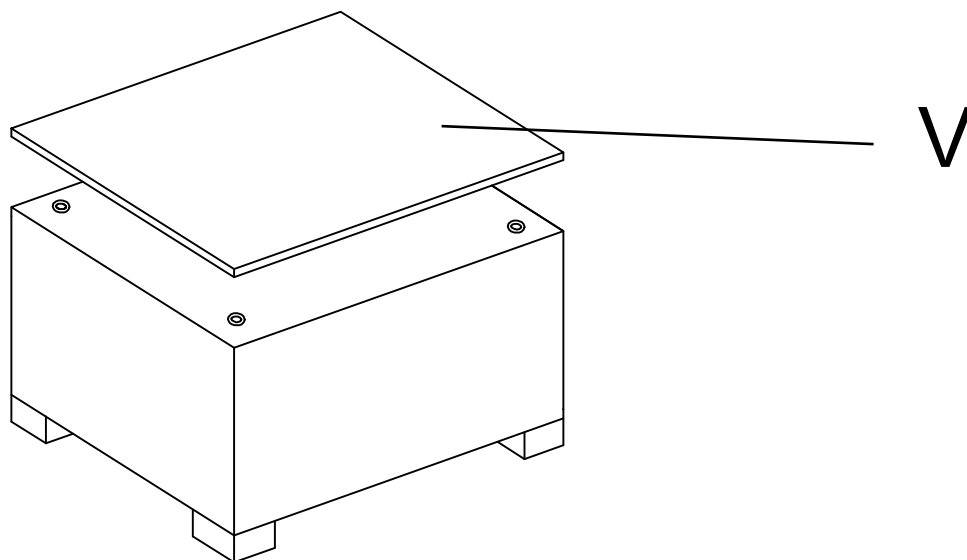


Use Semi-auto Wrench to speed up your assembly.





Use Semi-auto Wrench to speed up your assembly.



## Care and Maintenance

Before using, clean the Sofa completely with a soft dry towel. When not in use, wipe free of any dirt or loose objects, wash with a mild solution of soap and water; rinse thoroughly and dry completely. Do not use strong detergent or abrasive cleaners. Over time nuts and bolts can loosen. Occasionally, check nuts and bolts, re-tighten if necessary.

We recommend the cushions are stored away when not in use or during winter time to prolong the life of your product.