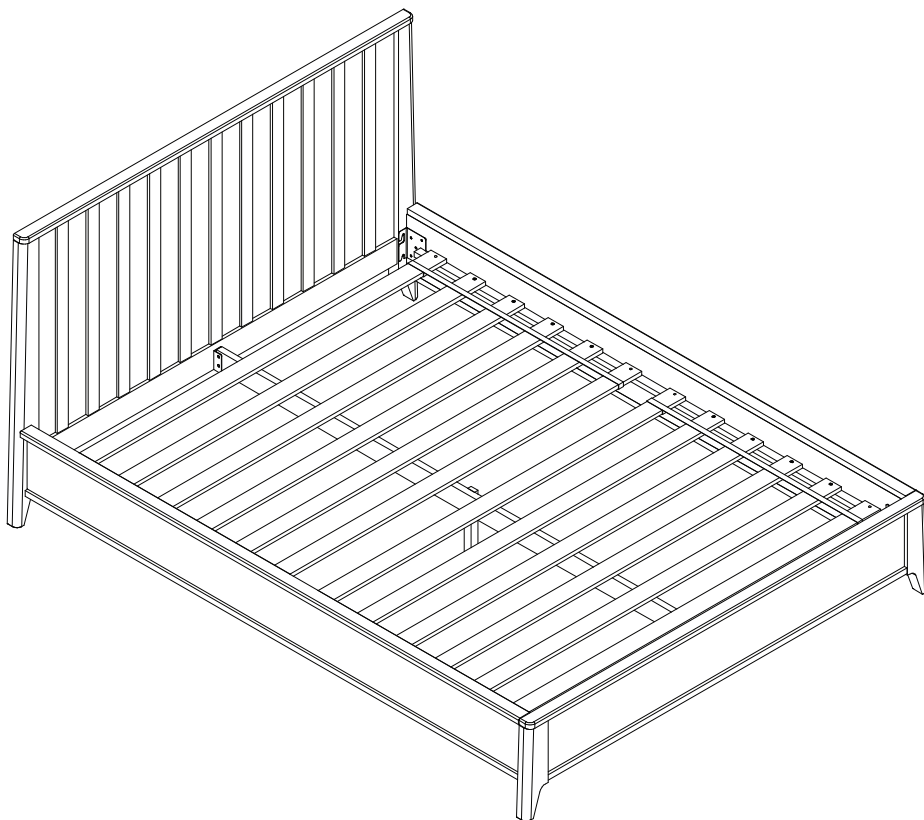


ASSEMBLY INSTRUCTIONS



TOOLS REQUIRED



Allen Wrench
(Included)



Phillips
Screwdriver
(Not Included)



2 - People
Recommended

ASSEMBLY RATING



EASY —————> DIFFICULT

The Assembly Rating is a 5-point system showing the level of effort needed to assemble a specific product.



CHECK BEFORE STARTING

Are you missing anything?

Double-check all parts, hardware and accessories listed are all accounted for.

Check out our Quick Tips!

We recommend reviewing the pre-assembly handouts. Even experts need a refresher now and then!

Should we send any replacements?

Are there any irregularities or flaws in the parts? We can send replacements!

Prep Time!

Please review the assembly instructions and all diagrams prior to assembling.

PRE ASSEMBLY INTRODUCTION

We understand building ready-to-assemble furniture can be a challenging experience for some. To help avoid confusion, we have provided some helpful tips that may speed up the process.



Teamwork

ALWAYS have at least two people to help with transporting and assembling the product to avoid potential injury and/or damage.



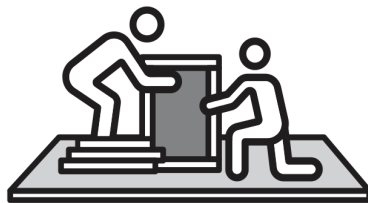
Suitable Location

Assembling near the area of the intended location is highly recommended.



Sufficient Space

Make sure you have enough space to move around during the assembly.



Avoid Scratches

Use cardboard, blankets or a carpeted area while assembling furniture to prevent to prevent scratches and damages.



Flat Surface

Make sure the furniture rests on a flat and level surface with each leg evenly touching the floor.

ASSEMBLY AND CARE ADVICE



FAILURE TO FOLLOW THE GUIDELINES BELOW MAY RESULT IN INJURY AND/OR PROPERTY DAMAGE.



Position each part correctly and insert screws or bolts into their respective holes.



Turn clockwise to tighten and only tighten when step is completed or when instructed to do so.



Use the appropriate hand tools or power tools for assembly. Select steps, such as tightening screws and/or bolts, may require hand tools to avoid causing damage during assembly.



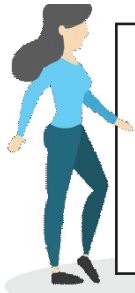
Save the instructions and store any supplied tools for later maintenance.



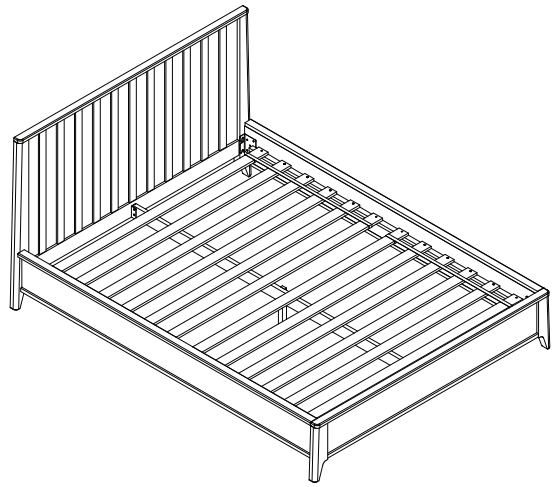
After two weeks, check and tighten any loose hardware and repeat again every six months thereafter.

IT IS THE USER'S RESPONSIBILITY TO MAINTAIN THE FURNITURE. THE HARDWARE MAY LOOSEN OVER TIME AND MAY CAUSE THE FURNITURE TO BE WOBBLY AND UNABLE TO SUPPORT ITS INTENDED WEIGHT CAPACITY. THIS MAY LEAD TO COLLAPSE AND MAY CAUSE SERIOUS INJURY.

BED

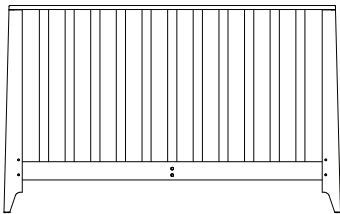


- Please keep instructions for future reference.
- Check the quantity and irregularity of parts and hardware before you start.



PARTS

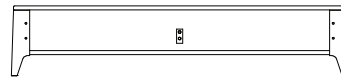
A



HEADBOARD

1 pc.

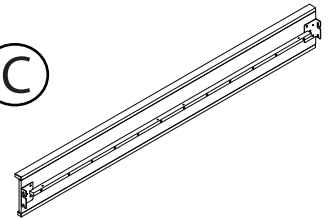
B



FOOTBOARD

1 pc.

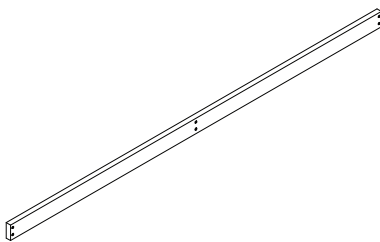
C



SIDE RAIL

2 pcs.

D



CENTRAL RAIL

1 pc.

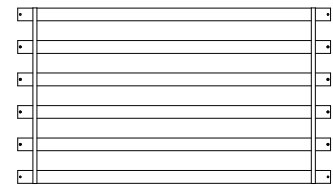
E



SMALL LEG

1 pc.

F

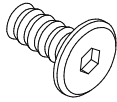


SLAT

2 sets

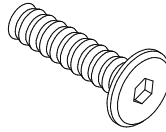
HARDWARE

①



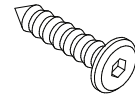
JCBB M8 x 20mm
16 pcs.

②



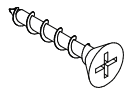
JCBB M8 x 35mm
2 pcs.

③



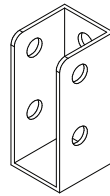
JCBC-W M6 x 28mm
8 pcs.

④



WOOD SCREW 4.0 x 28mm
16 pcs.

⑤



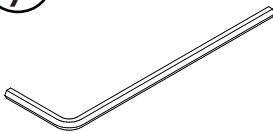
U-BRACKET
2 pcs.

⑥



ALLEN KEY M5
1 pc.

⑦



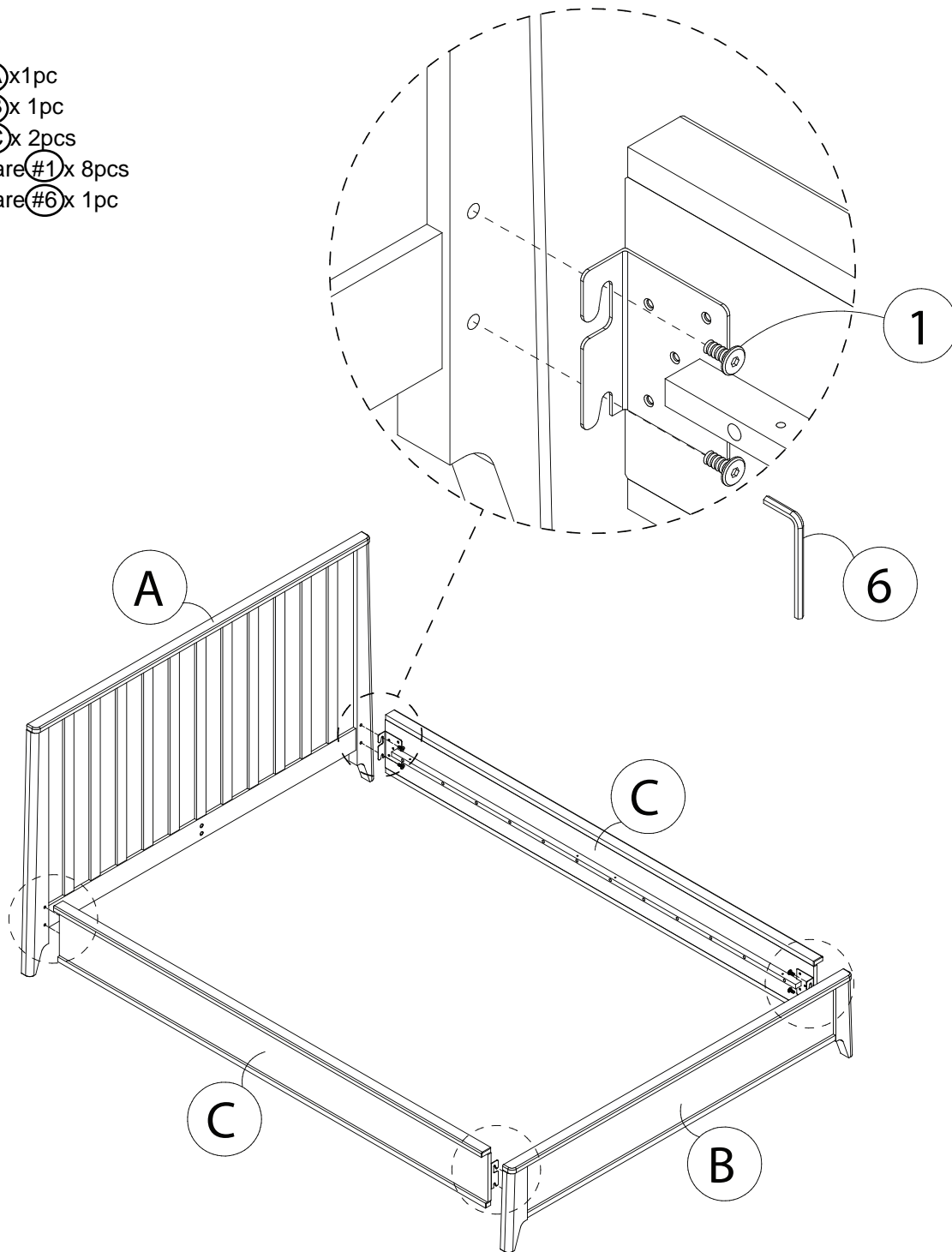
ALLEN KEY M4
1 pc.

ASSEMBLY INSTRUCTIONS

Attach the Side rail (#C) to the Headboard (#A) and the Footboard (#B) by using Bolt (#1).

1

- Part (#A) x 1pc
- Part (#B) x 1pc
- Part (#C) x 2pcs
- Hardware (#1) x 8pcs
- Hardware (#6) x 1pc

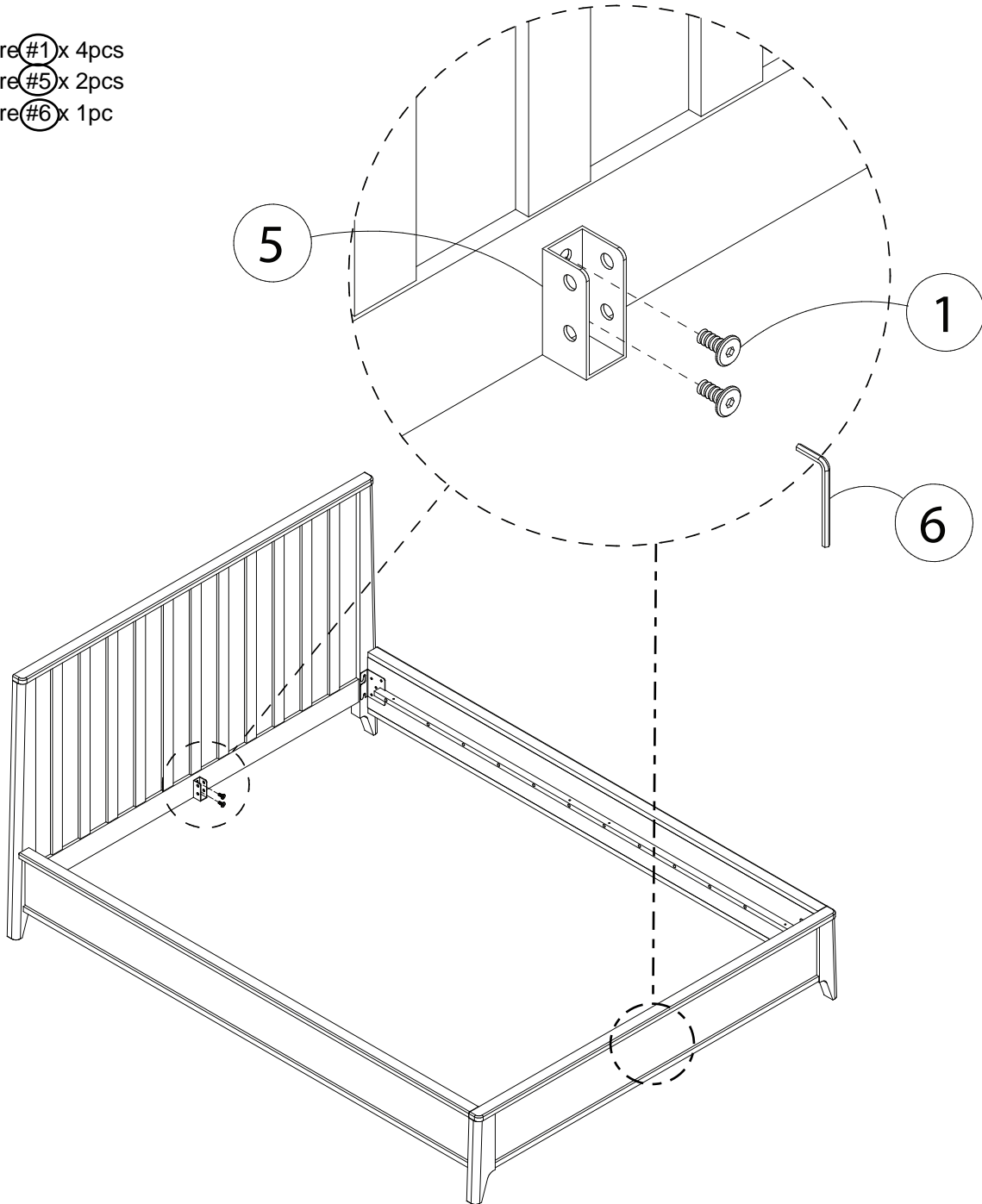


ASSEMBLY INSTRUCTIONS

Align and attach the U-bracket (#5) to the Center of the Headboard (#A) and center of the Footboard (#B) by using Bolt (#1).

2

- Hardware #1 x 4 pcs
- Hardware #5 x 2 pcs
- Hardware #6 x 1 pc



ASSEMBLY INSTRUCTIONS

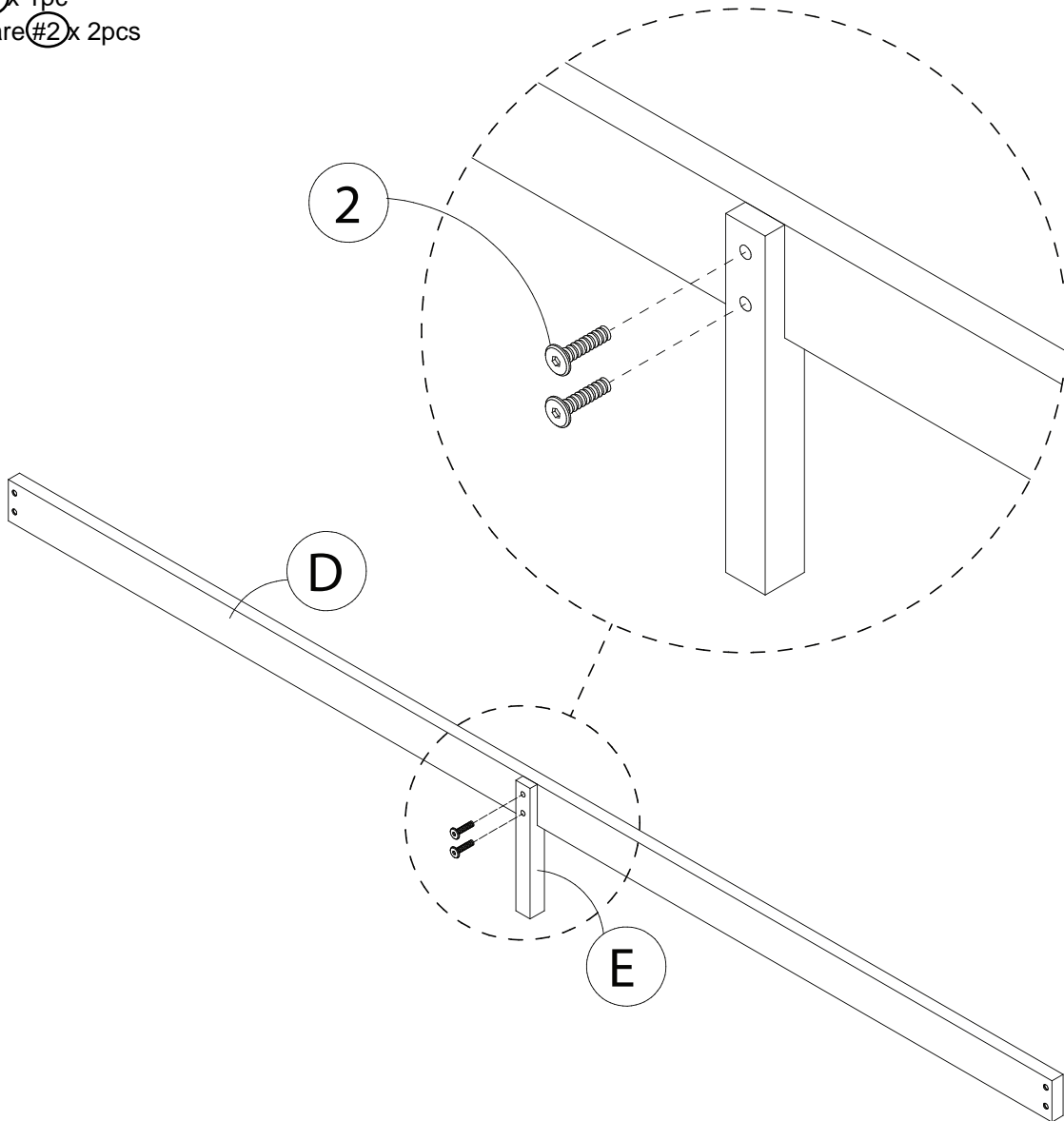
3

Attach the small leg (#E) to the Central rail (#D) by using Bolt (#2).

Part #D x 1pc

Part #E x 1pc

Hardware #2 x 2pcs



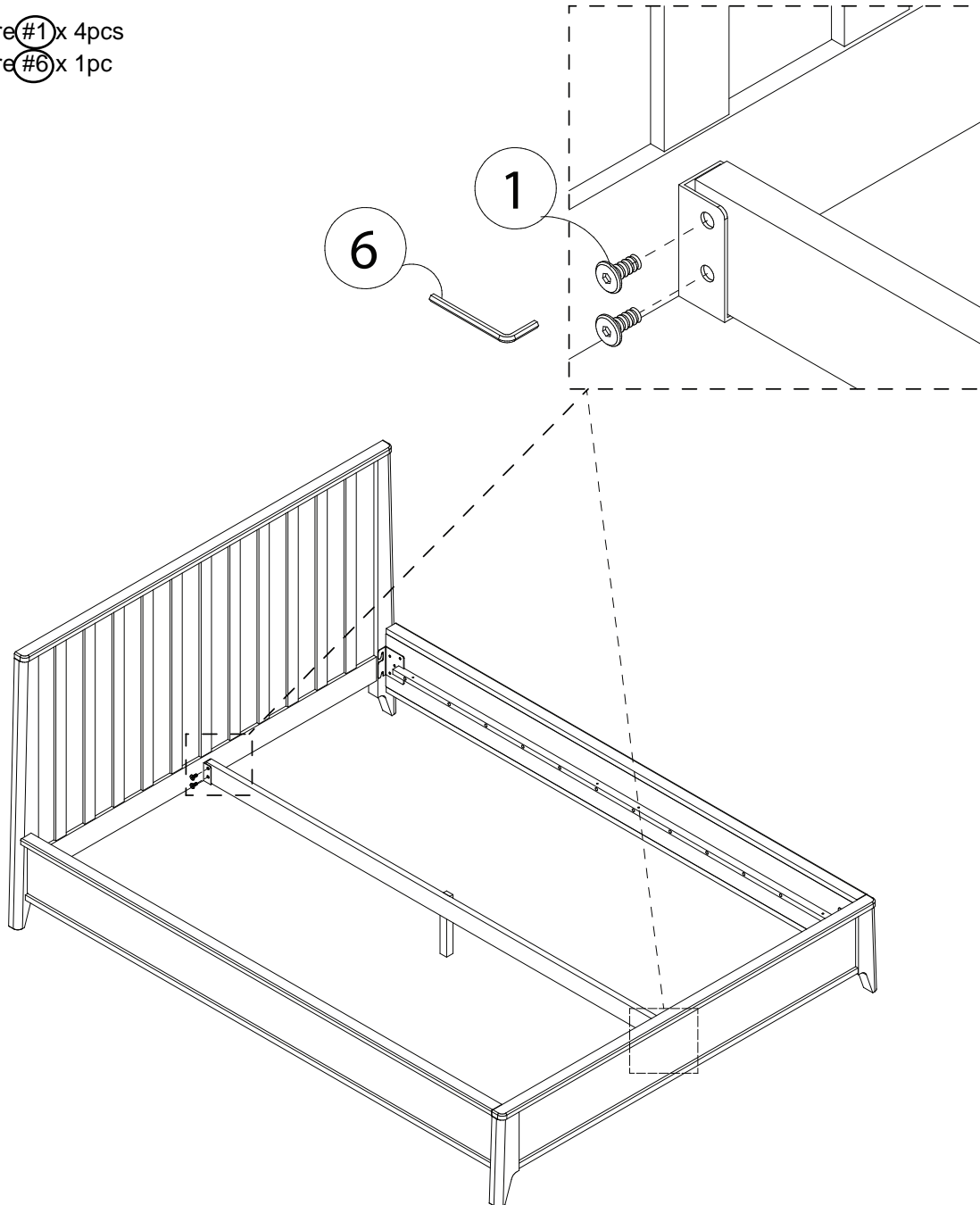
ASSEMBLY INSTRUCTIONS

Place the Central Rail (#D) into the U-brackets (#5) and secure by using Bolt (#1).

4

Hardware #1 x 4pcs

Hardware #6 x 1pc

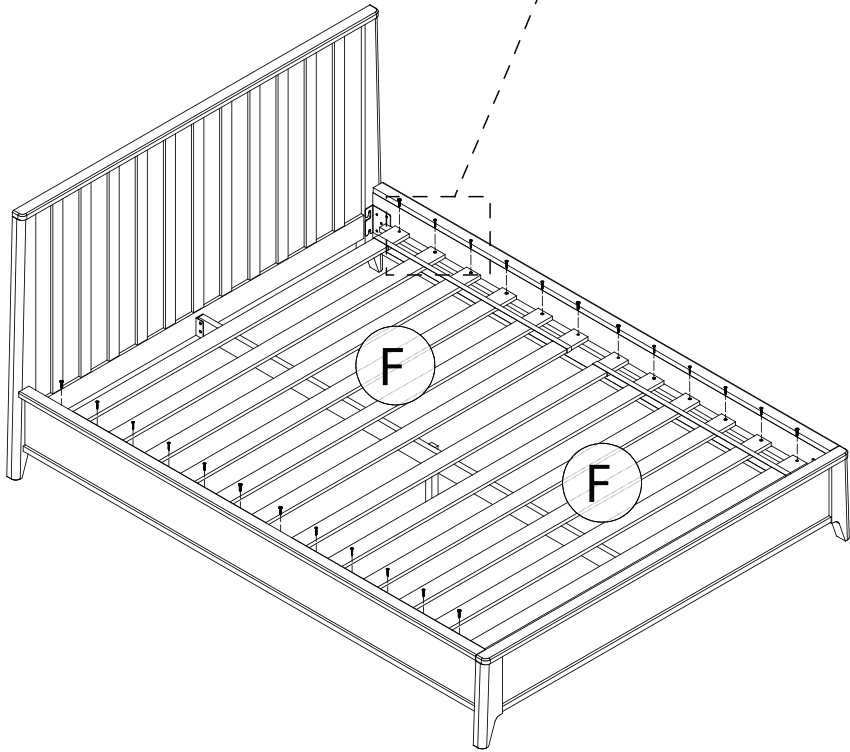
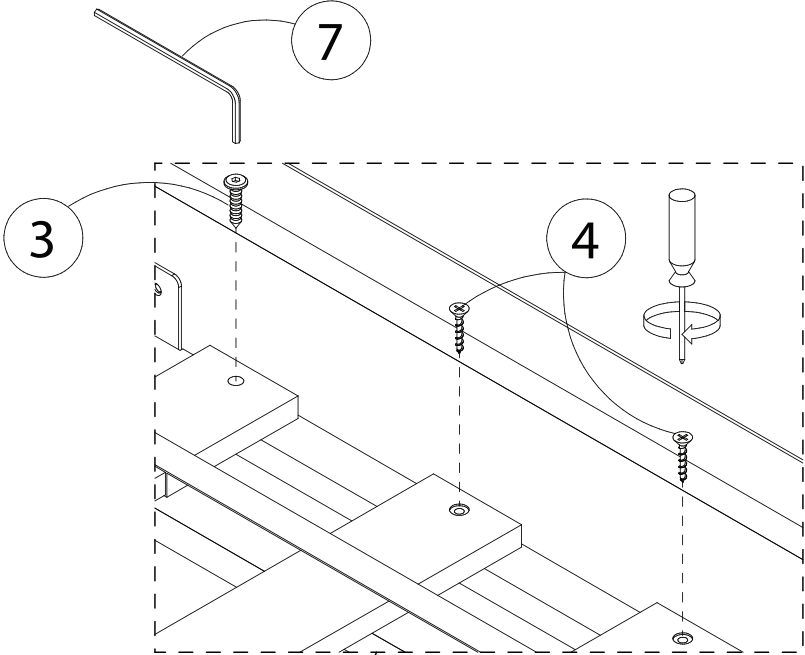


ASSEMBLY INSTRUCTIONS

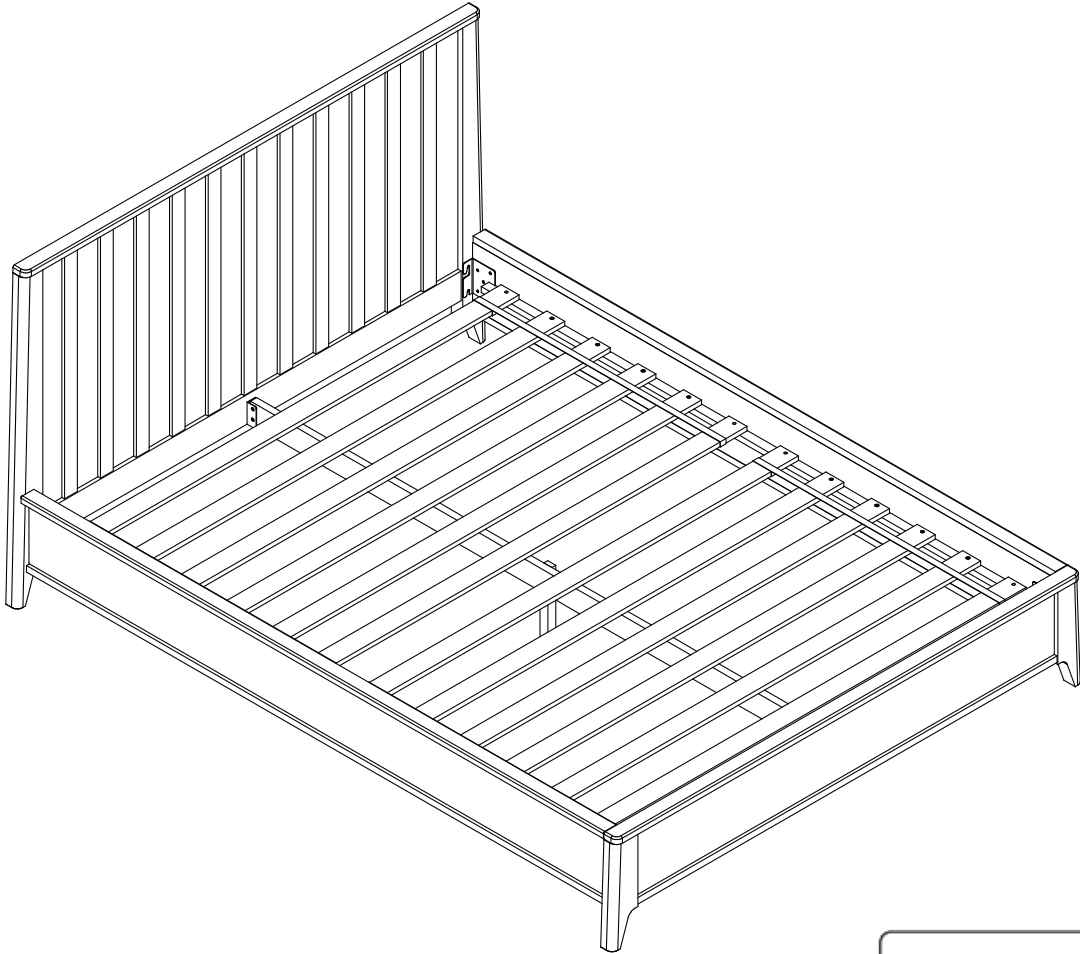
Place the Slat (#F) evenly on the Side rails (#C). Secure the first and last slat of the set with Screw (#3) and secure the center slats of each set with Screw (#4).

5

- Part (#F) x 2sets
- Hardware (#3) x 8pcs
- Hardware (#4) x 16pcs
- Hardware (#7) x 1pc



ASSEMBLY INSTRUCTIONS



ASSEMBLY COMPLETED



Please ensure the furniture rests on an even and flat surface. If the product wobbles or feels loose, double-check all bolts and/or screws are properly tightened and secured.

✓ **Keep this handy!**

Please retain this instruction manual and any order-related information for future reference.

✓ **Lift, don't drag!**

To avoid damage to product please always LIFT the product when transporting or adjusting the placement.