



## INSTRUCTION MANUAL

## WARNING

 Please read the instructions carefully and follow the assembly steps.

To ensure proper assembly, please follow all steps and use all parts provided. Not following this warning may result in serious injury to you or others.

To prevent misalignments, keep the screws loose and do not tighten them until they are all in their correct positions.

Avoid overtightening or forcing the screws, as this could cause them to break, strip, or damage the threads of the holes.

Using the wrong size of screws for a particular part could cause damage to the screw or the part.

Please lubricate all moving parts regularly and tighten all bolts and screws every 6 months, or as needed.

## SAFETY INFORMATION

**WEIGHT CAPACITY FOR SEATING: 275 LBS**



Sit in the center of the chair with your back against the backrest



Do not sit at the front edge of the chair



Do not stand on the chair



Do not use the chair with more than one person



Do not push the chair around when a person is sitting in it



Do not push down on the backrest when a person is reclined



Do not place all your weight on the backrest only

## ASSEMBLY PARTS AND TOOL

 BEFORE YOU GET STARTED, A FEW POINTERS:

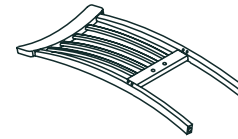


Having a friend to help makes assembly extra-easy



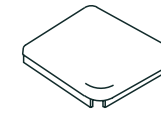
Please use the included wrench instead of an ELECTRIC HAND DRILL in case of damage to the chair leg.

A



Chair back frame \* 1

B



Seat cushion \* 1

C



Front leg \* 2

D



Ø1/4"x60mm Bolt \* 4

E



Ø1/4"x35mm Bolt \* 3

F



Ø1/4"x80mm Bolt \* 4

G



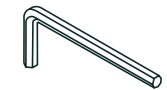
Spring washer \* 10

H



Flat washer \* 10

I



Allen Key \* 1

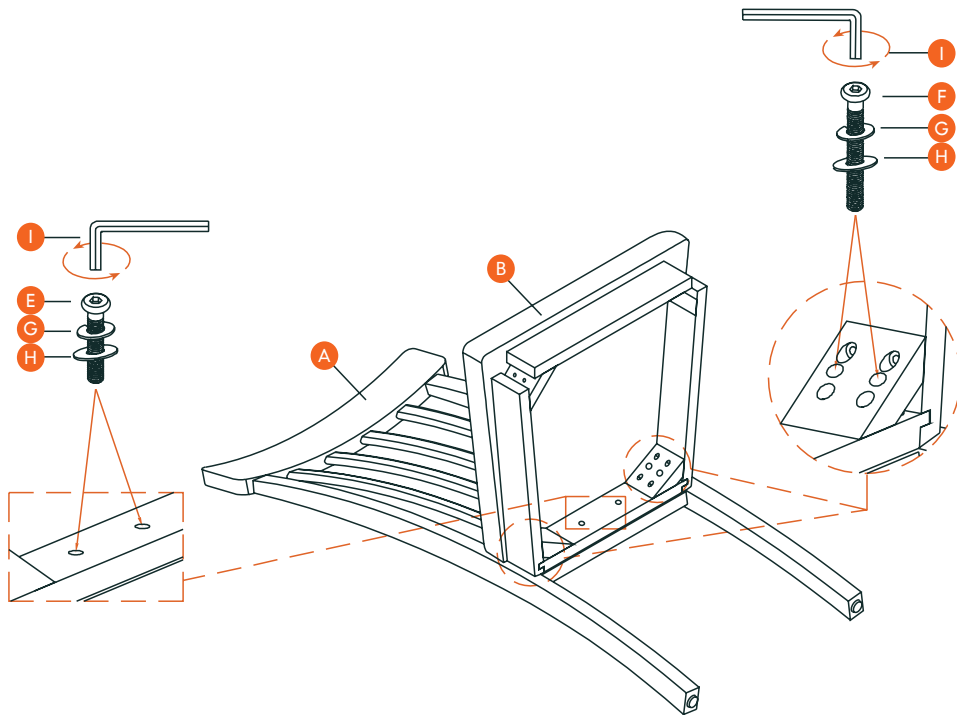
PLEASE MAKE SURE ALL THE PARTS ARE INCLUDED.

## ASSEMBLY INSTRUCTIONS

Tips: Please put all parts on a clean and soft surface, and don't tighten all bolts to 100% at first, just 50% is OK, make it has space to adjust balance of whole chair.

### Step 1

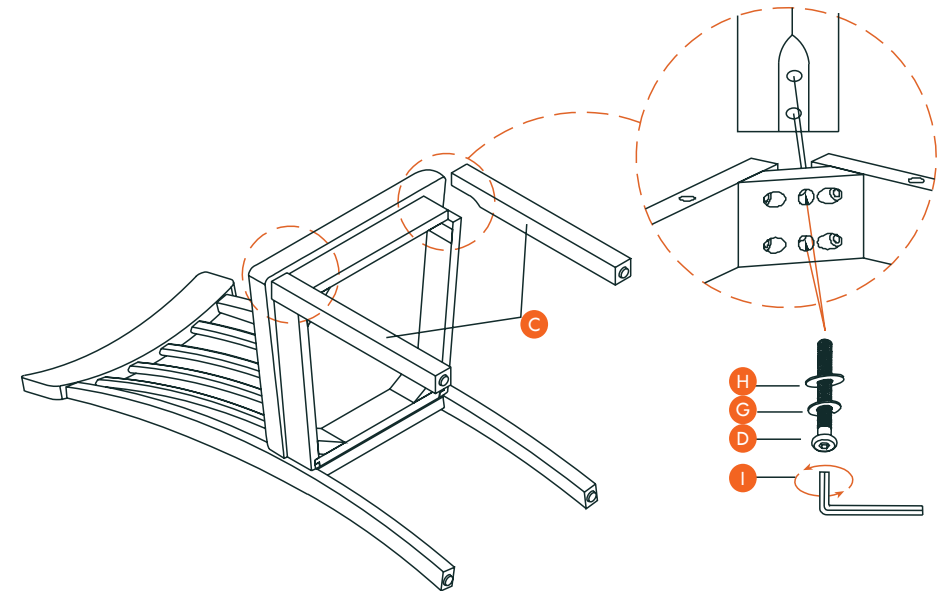
Attach the seat cushion B to the chair back frame A, using two  $\text{Ø}1/4 \times 35\text{mm}$  Bolts E and four  $\text{Ø}1/4 \times 80\text{mm}$  Bolts F, spring washer G, flat washer H, then tighten them by Allen key I.



## ASSEMBLY INSTRUCTIONS

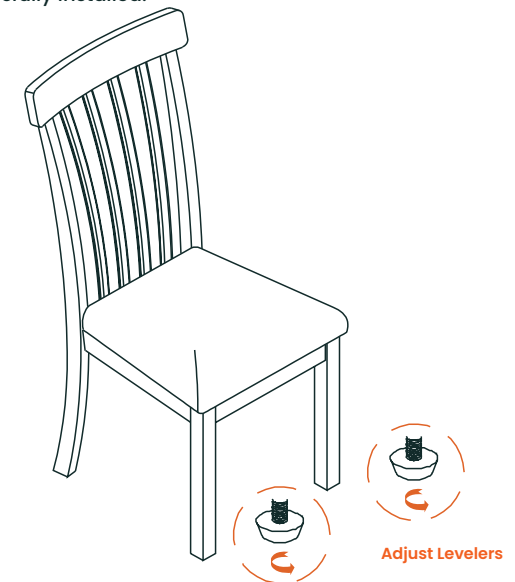
### Step 2

Insert the front legs C into the seat cushion B, using four  $\text{Ø}1/4 \times 60\text{mm}$  Bolts D, spring washer G, flat washer H, then tighten them by Allen key I.



### Step 3

Install the adjustable levelers onto the bottom of front legs. Now your chair is successfully installed.



## LIMITED WARRANTY

promises to repair or replace any chair that is found to be defective in material or workmanship within one year from the date of original purchase so long as you, the original purchaser, still owns it. This is your sole and exclusive remedy. This warranty is subject to the provisions below.

## EXCLUSIONS

---

This warranty does not apply and no other warranty applies to:

- Normal wear and tear, which are to be expected over the course of ownership.
- Misuse, abuse, or excessive use of the product.
- Modifications or attachments to the product that are not approved by COLAMY.
- Products that were not installed, used, or maintained in accordance with product instructions and warnings.
- Products used for rental purposes or unauthorized retail activities.

Seating Usage: Normal use for seating is identified as the equivalent of a single shift, forty- (40) hour workweek. To the extent that a seating product is used in a manner exceeding this, the applicable warranty period will be reduced in a pro-rata manner.

## LIMITED WARRANTY

If the product is faulty when you receive it, please contact us and we will help you out.

We reserve the right to give a partial refund in cases when the product(s) is not in an unused condition, is damaged or has missing parts, not due to our error.