

9' PRELIT LED LIGHT TREE WARM WHITE (8 functions) ASSEMBLY INSTRUCTIONS

PARTS LISTING:

EACH PRE-LIT TREE Contains:

- (1) BOTTOM TREE SECTION (A)
- (1) MIDDLE TREE SECTION (B)
- (1) MIDDLE TREE SECTION (C)
- (1) TOP TREE SECTION (D)
- (1) INDOOR TREE STAND
- (1) in-line Lights Controller
- (1) 1-Prong Power Supply TRANSFORMER



1. Unpack:

Carefully remove the contents from the carton and keep the carton for future storage. Some sections of the tree may be heavy and assistance may be required. Remove any outer foam wrapping from the tree and its branches (See Fig. 1A).



Fig. 1A

2. Basic Assembly Steps:

STEP 1a - Open the carton and take out all the contents. All contents that are listed in the Bill of Material section on this page should be enclosed. Locate the metal tree stand and assemble it by separating the legs of the stand to form an "X" shape (See Fig 2A). Insert each of the three screws into the holes on the stand's middle section, being sure that screws do not extend so far as to interfere with installation of the tree pole. Place tree stand in desired location.



Fig. 2A

STEP 1b - Locate **Tree Section "A"** and remove the protective caps that are on the top and bottom of the pole (they can be replaced when you re-pack your tree). Insert Tree Section "A" into the tree stand. Make sure the pole is firmly inserted into the stand, and then turn all three screws until contact is made with the pole. If Section "A" is not sitting straight, then simply loosen the screws, adjust tree pole, and retighten the screws.

All the branches are connected to the tree's center pole by metal hinges (See Figure 2). Remove the packing strap that is around the tree section and allow the branches to fall into place. Shape the branches and individual tips on Section A to your overall preference.



Figure 2

STEP 2 - Locate **Tree Section "B"** and insert into the top of Tree Section "A". Make sure section "B" is seated securely into the top of section "A". Remove the packing strap that is wrapped around this tree section, same as you for Section "A". Allow the branches and leaves to fall into place. Shape the branches and individual tips on Section B to your overall preference. **Apply a small amount of WD40 on each section of the pole; it makes it easier to disassemble the tree when taking it apart**

STEP 3 - Locate **Tree Section "C"** and insert into the top of Tree Section "B". Make sure section "C" is seated securely into the top of section "B". Remove the packing strap that is wrapped around this tree section, same as you for Section "B". Allow the branches and leaves to fall into place. Shape the branches and individual tips on Section C to your overall preference. Repeat for section "D" (tree top).

3. Light Set and Power Connection: FIG 3A

Your tree is lighted with Rice LED lights that are pre-strung on the tree at the factory. Please follow the lighting diagram (Fig 3A) to assure that each tree section is connected properly.

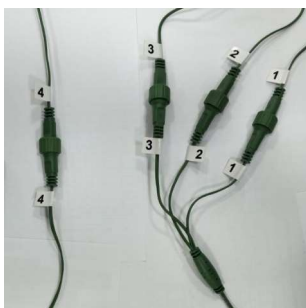
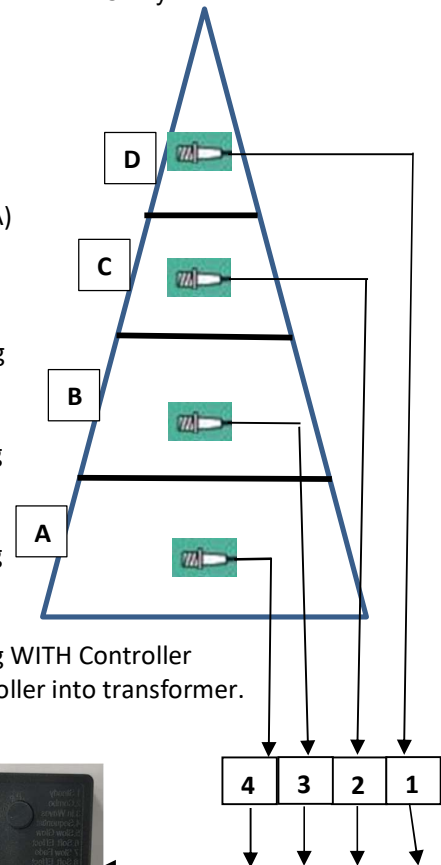
Your tree will have ONE extension cord plug WITH NUMBER 1/2/3/4.

*Guide the male end of the coaxial cord (DO NOT TWIST) from tree "Section D" and NUMBER "1" plug into the female end of the coaxial plug WITH Controller NUMBER "1".

*Guide the male end of the coaxial cord (DO NOT TWIST) from tree "Section C" and NUMBER "2" plug into the female end of the coaxial plug WITH Controller NUMBER "2".

*Guide the male end of the coaxial cord (DO NOT TWIST) from tree "Section B" and NUMBER "3" plug into the female end of the coaxial plug WITH Controller NUMBER "3".

*Guide the male end of the coaxial cord (DO NOT TWIST) from tree "Section A" and NUMBER "4" plug into the female end of the coaxial plug WITH Controller NUMBER "4", Plug into the female end of the Controller, then plug controller into transformer.



To Activate Lights: There is an 8-function operations BUTTON ON transformer
**1-STEADY 2-COMBO 3-IN WAVES 4-SEQUENTIAL 5-SLOW GLOW 6-SOFT
EFFECT 7-SLOW FADE 8-SOFT EFFECT**

Every time the power is turned on and off, the light sets will be in the same light setting as the one it was previously set it.

Press button slowly and cleanly to change functions. Rapid pushing overloads the chip and will require several minutes to reset.

4. Basic Disassembly Steps:

Unplug the extension cord plugs from the wall and disconnect each section. Take off all your ornaments and tree decorations before packing your tree back into its storage box(es).

Starting from the top, gently lift off each section. Each section should be packed away in the carton that it came in. Each tree section should be turned upside down and then carefully press branches toward center pole for easier placement into the storage box. Carefully place the tree in its box and tape it shut.

DO NOT STORE TREE IN A DAMP AREA OR IN AN AREA WHERE THE TEMPERATURE EXCEEDS 100°F.

1. This is for decorative use only - do not immerse in water or expose to heat. Keep away from fire.
2. When not in use, store neatly in a cool, dry location protected from sun light.

THE FOLLOWING STEPS WILL HELP MAKE YOUR TREE LOOK MORE REALISTIC

- 1 Light tree one section at a time as described in assembly instructions, so you can easily identify any bulbs that may be dislodged. Push any loose bulbs back into their sockets.
- 2 Separate the branch tips to form a “V” shape and fluff the needles. Make sure each tip is spread out and no two branches are touching each other. For best access to branches, shape each section prior to adding the next section as described in the initial assembly instructions. You may want to wear cotton gloves when fluffing needles to avoid scratches and skin irritation.
- 3 Starting with the bottom row, position the branches parallel to the floor. Angle the tips slightly upward like they are growing towards the sun. With each successive row, make the upward angle of the branches more pronounced. Position inner tips to hide the center of the tree.
- 4 Arrange the uppermost section of the tree so that the tips are evenly spaced and pointing upward.
- 5 Step back and review the tree. Adjust branches and tips as necessary to give the tree a fuller appearance (The tree may be shape differently (upswept /downswept /etc.) pending on one’s preference.)

CARE INSTRUCTIONS:

To maintain the Tree’s pristine condition, wipe product with a clean, soft, dry towel and store in a cool, dry place.

NOTE: DO NOT USE A DIMMER SWITCH OR INSTALL ANY ADDITIONAL CHRISTMAS LIGHTING OR ORNAMENTATION THAT IS POWERED BY A LIGHT BULB SOCKET. DOING THIS MAY RESULT IN DAMAGE TO YOUR CHRISTMAS TREE OR CAUSE PERSONAL INJURY. THIS ACTION WILL ALSO RESULT IN A VOID OF THE LIMITED WARRANTY OF THIS PRODUCT.