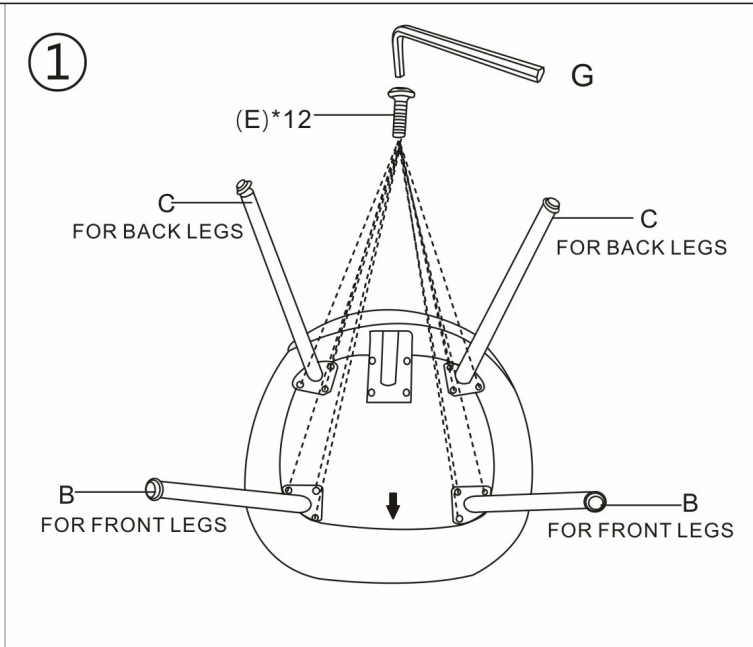
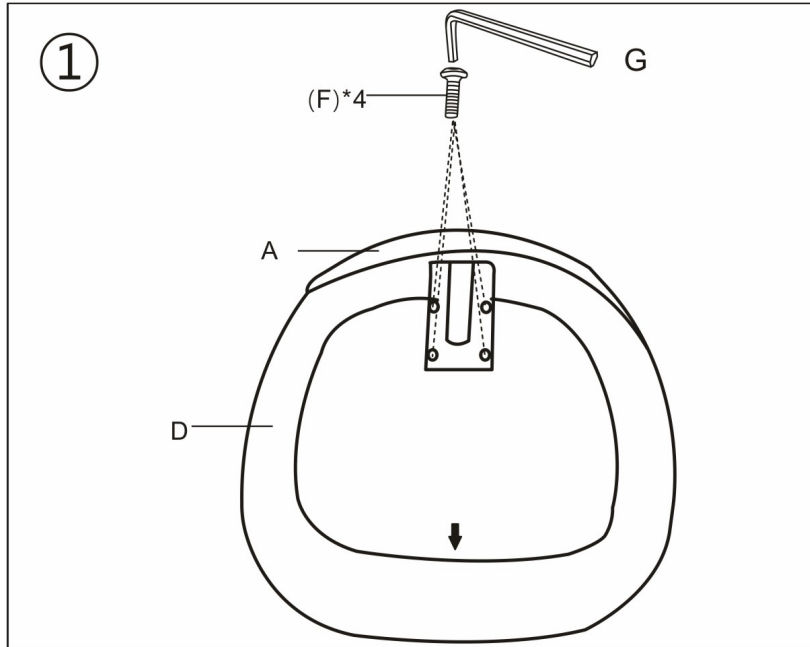


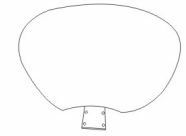
# ASSEMBLY INSTRUCTION

## ASSEMBLY PROGRAM



## PARTSxQTY

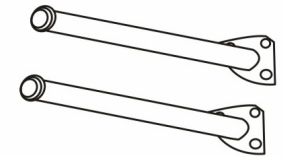
Ax1



B FOR FRONT LEGS



C FOR BACK LEGS



DX1



Ex12



M6x20mm

Fx4



M6x25mm

Gx1

