

# UPHOLSTERED QUEEN SIDE RAILS

(Regency)

Wing Uph


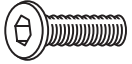



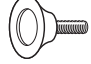

Examine all packaging material for small parts that may have come loose during shipment. Periodic checks are recommended to insure that all components are in proper position, tight and free from damage. Keep this assembly instruction for future reference. Adult assembly is required.

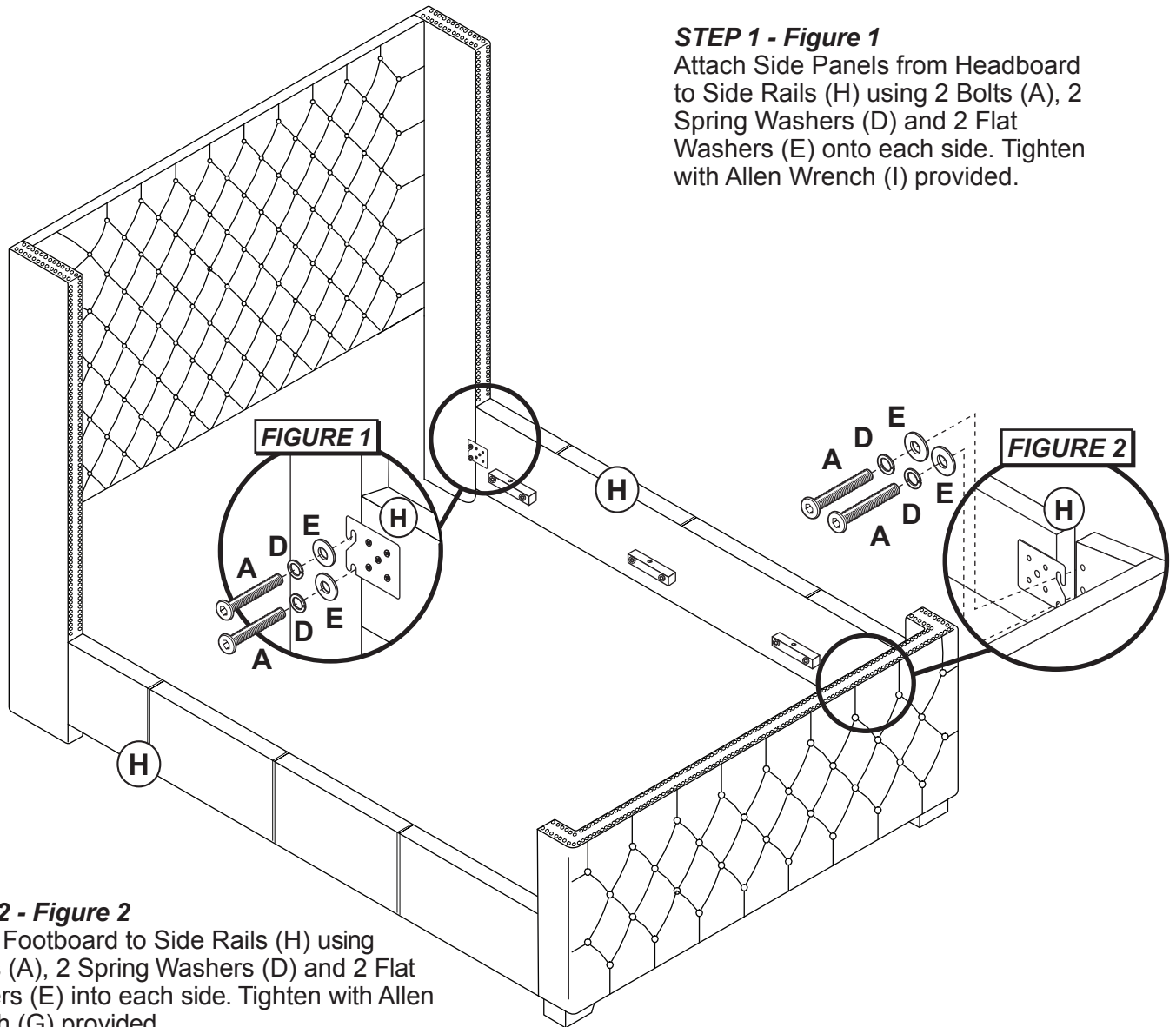
## HARDWARE LIST

- A (8) M8 x 40 Bolts
- B (3) M8 x 30 Bolts
- C (6) 4\*30 Screws
- D (8) Ø8 Spring Washers
- E (8) Ø8 Flat Washers
- F (3) Adjustable Feet
- G (1) Ø5 Allen Wrench

## PARTS LIST

- H (2) Side Rails
- I (3) Support Beams
- J (3) Leg Supports

PART	QTY	HARDWARE	PART	QTY	HARDWARE
A	8		B	3	
C	6		D	8	
E	8		F	3	
G	1				



### STEP 1 - Figure 1

Attach Side Panels from Headboard to Side Rails (H) using 2 Bolts (A), 2 Spring Washers (D) and 2 Flat Washers (E) onto each side. Tighten with Allen Wrench (I) provided.

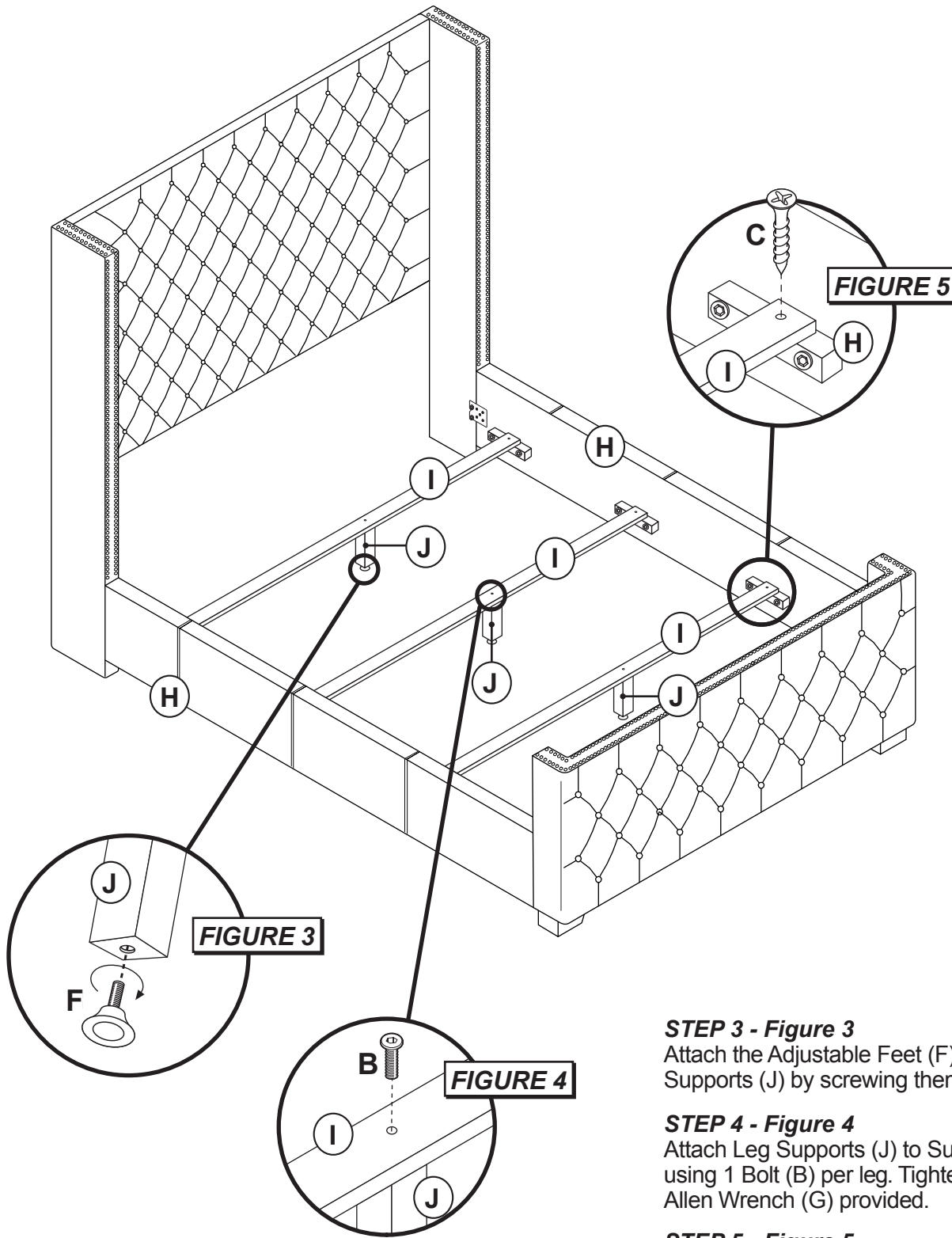
### STEP 2 - Figure 2

Attach Footboard to Side Rails (H) using 2 Bolts (A), 2 Spring Washers (D) and 2 Flat Washers (E) into each side. Tighten with Allen Wrench (G) provided.

**CARE & MAINTENANCE:** The touch of a soft cloth is all the maintenance the finish will ever need. Please do not use harsh or abrasive cleaners for polishing, as they may cause damage to the finish. Periodic checks are recommended to make sure that all hardware is securely tightened.

# UPHOLSTERED QUEEN SIDE RAILS

(Regency)  
Wing Uph



### STEP 3 - Figure 3

Attach the Adjustable Feet (F) to the Leg Supports (J) by screwing them into place.

### STEP 4 - Figure 4

Attach Leg Supports (J) to Support Beams (I) using 1 Bolt (B) per leg. Tighten all bolts with Allen Wrench (G) provided.

### STEP 5 - Figure 5

Attach Support Beams (I) to Side Rails (H) using 2 Wood Screws (C) per beam. Tighten with philips head screwdriver (not included).

**CARE & MAINTENANCE:** The touch of a soft cloth is all the maintenance the finish will ever need. Please do not use harsh or abrasive cleaners for polishing, as they may cause damage to the finish. Periodic checks are recommended to make sure that all hardware is securely tightened.