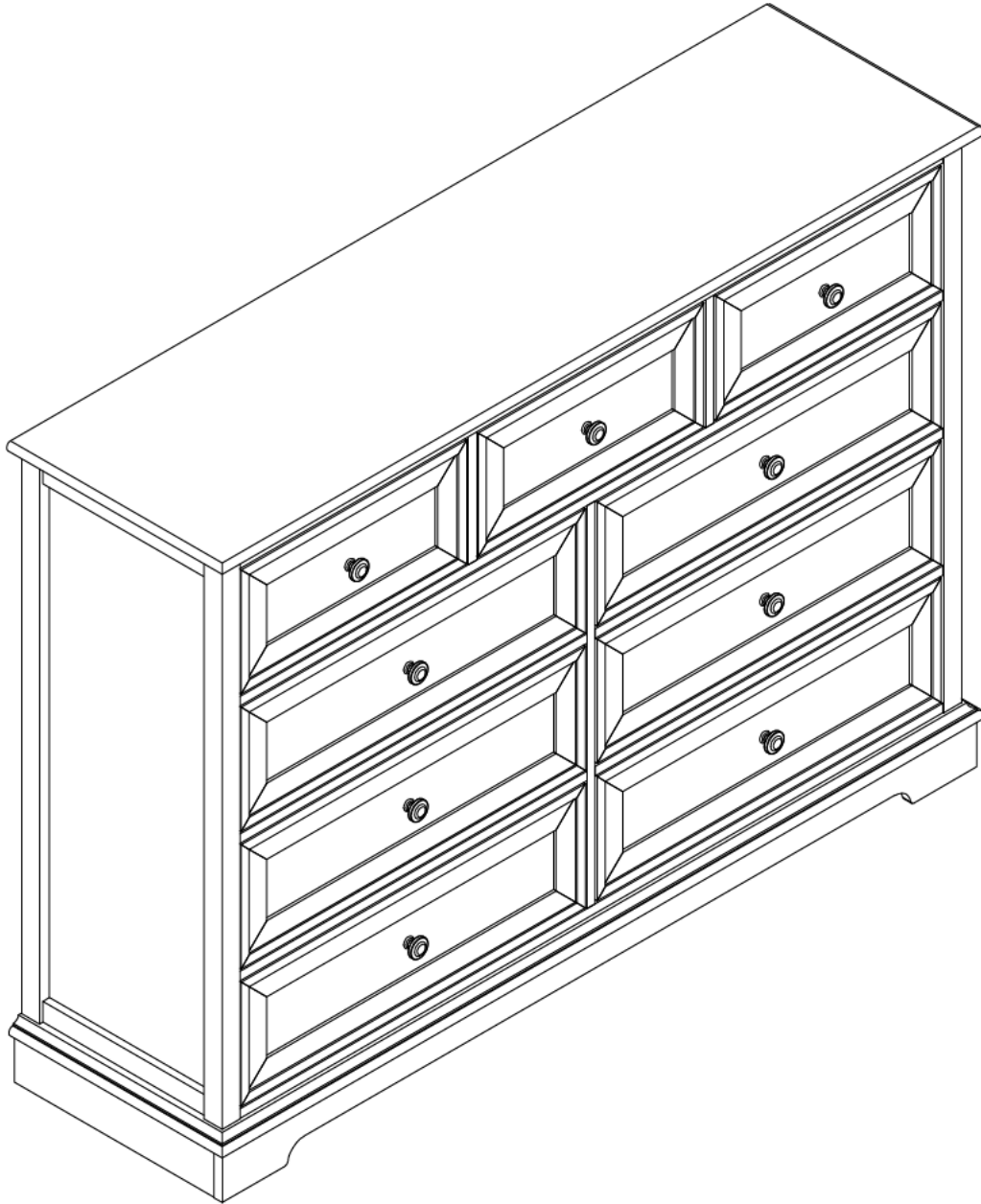


INSTRUCTION MANUAL





WARNING

Some steps are more easily handled with two adults.



CAUTION

Before assembly and/or installation, carefully unwrap all components. Locate the hardware kit and set it aside before discarding packaging. Handle with care when assembling your new product. Take your time and follow assembly instructions closely.



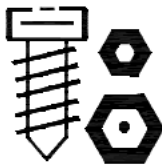
If you have any questions below, please feel free to contact us. We will respond within 24 hours.



ANY DAMAGE



**READ INSTRUCTIONS
CAREFULLY**



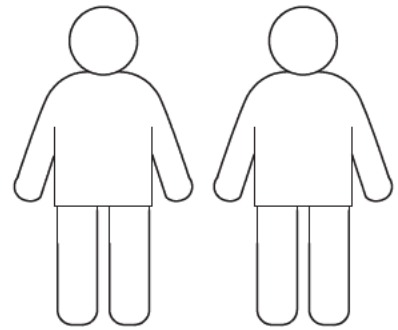
MISS SOME PARTS



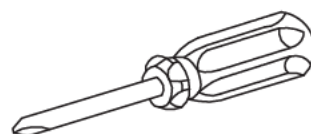
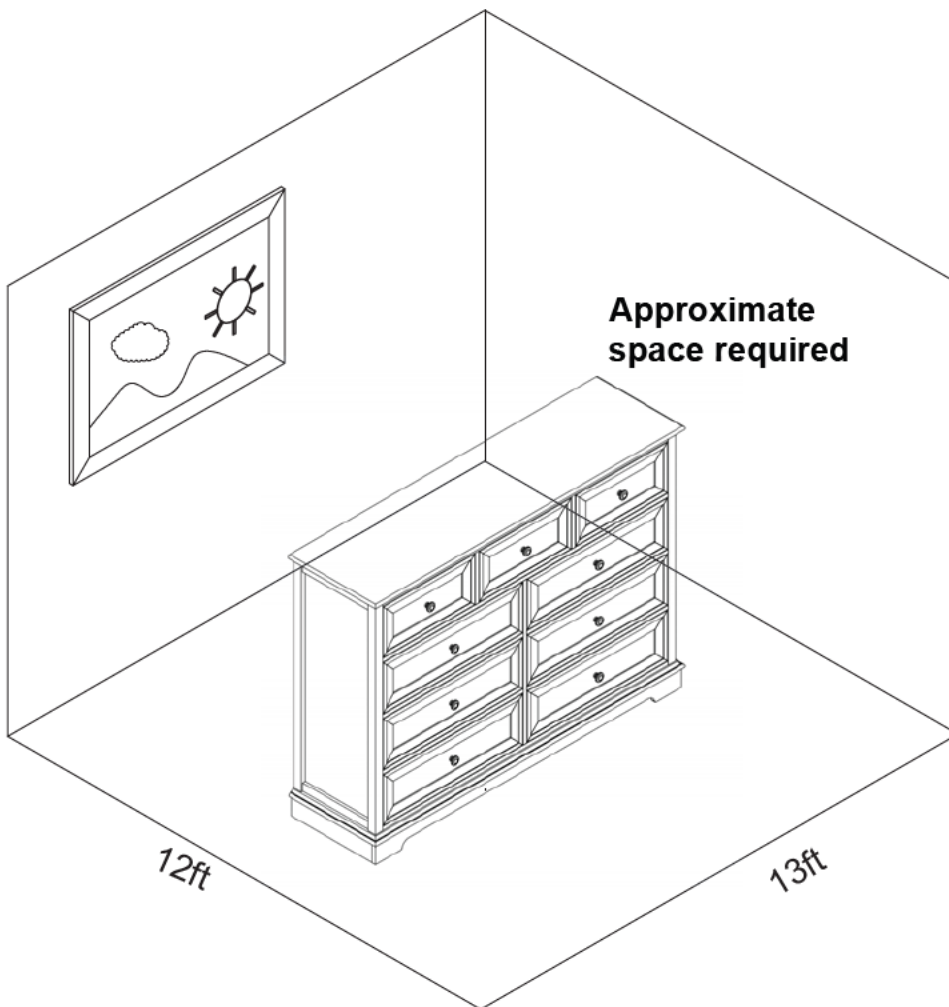
OTHER QUESTIONS



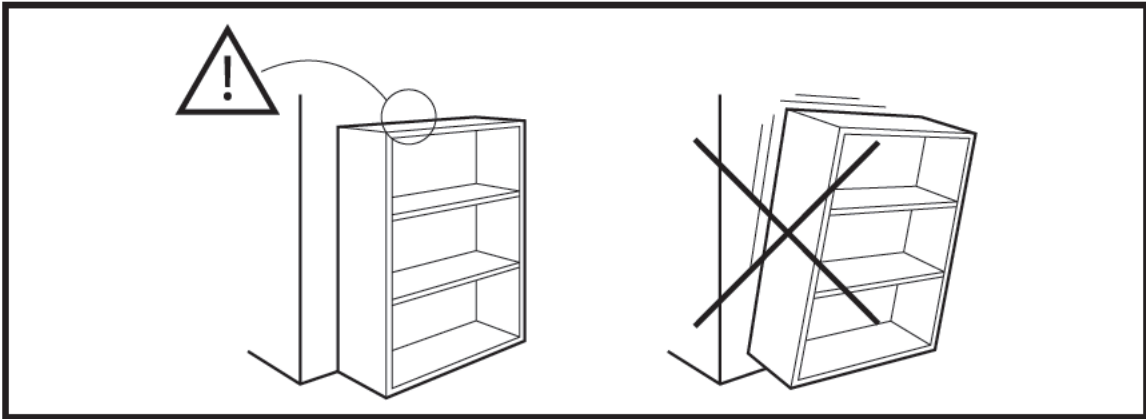
30 min



Two People Required



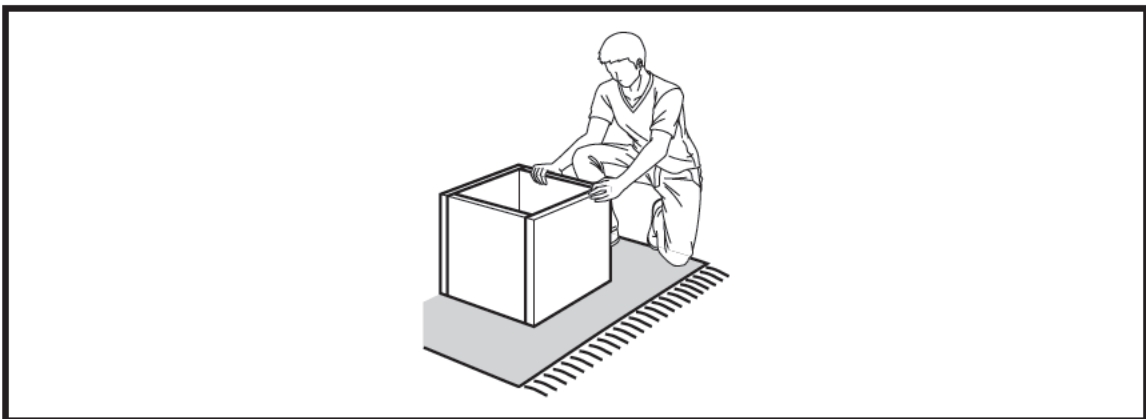
Phillips Head



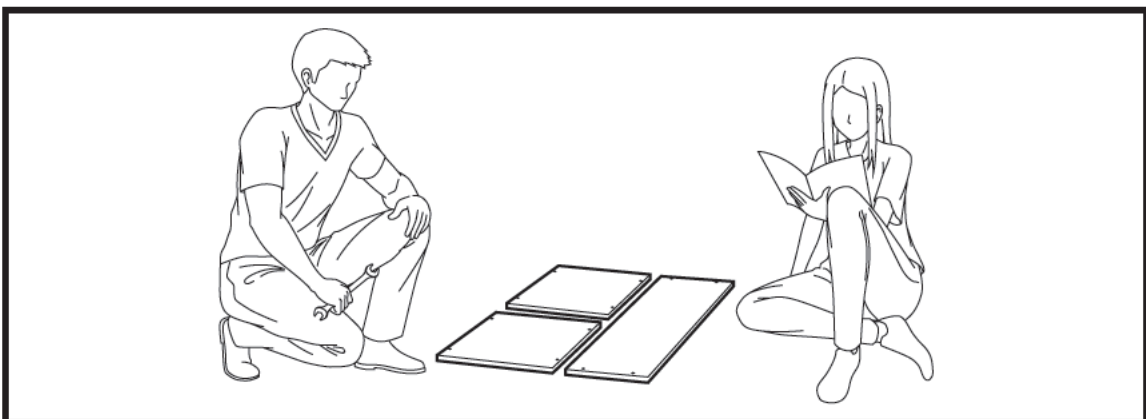
Warning

Serious or fatal crushing injuries may occur if the furniture tips over. Furniture must be permanently fixed to the wall with the included anti-tipping device to prevent the furniture from tipping over.

Different wall materials require different types of fixing devices. Use a suitable fixing device to ensure the stability and load-bearing capacity of the furniture. If you are uncertain about which type of fixing device to use, please contact your local hardware store.



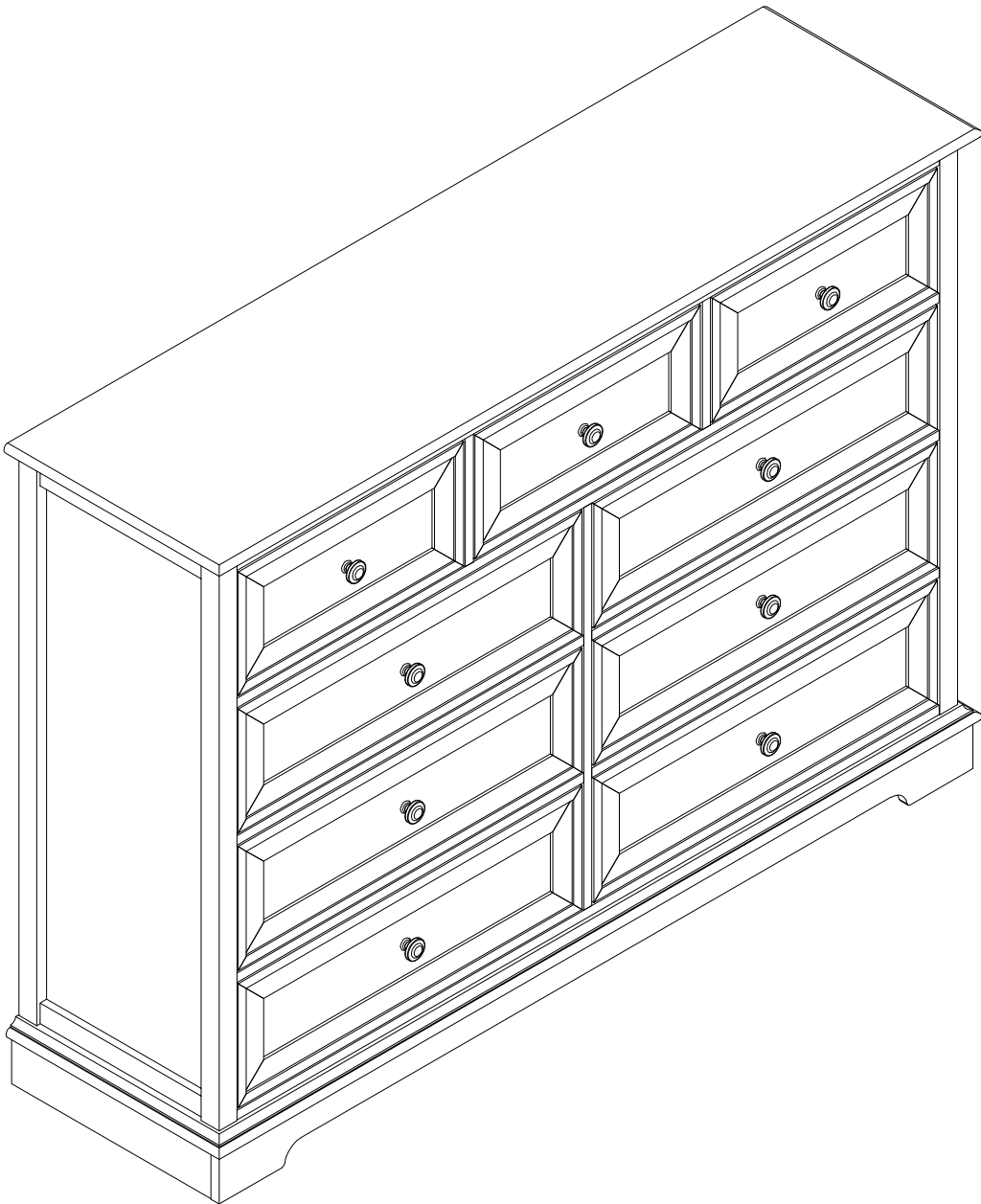
Assemble the furniture on an empty carton, carpet, or rug to prevent scratches or damage



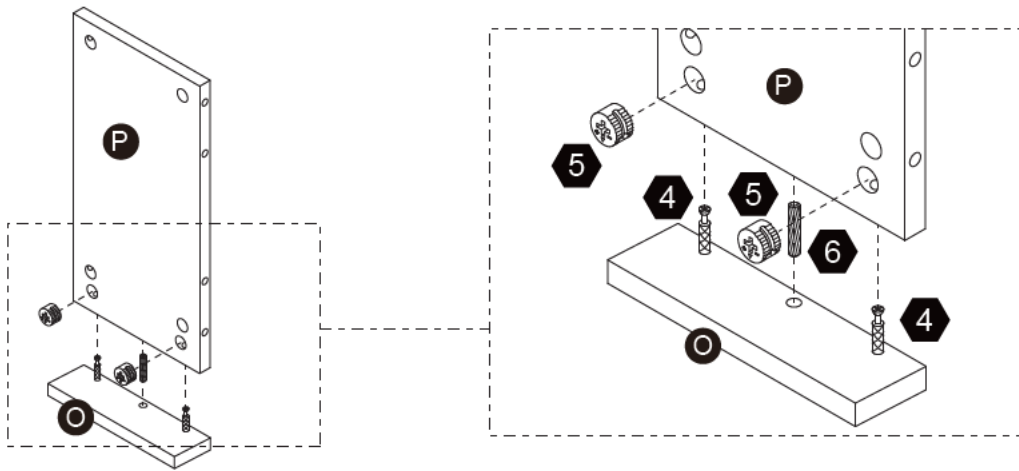
This furniture requires 2 people to assemble.
Make sure no parts are missing or damaged before assembly.

GENERAL INFORMATION, TIPS AND TRICKS

1. Please read the Assembly instructions prior to assembling this product.
2. Remove all hardware from the box and sort by size.
3. Check that all hardware and parts are present BEFORE assembling
4. Ask a friend to assist you with the assembly of this furniture.
5. To avoid damage, assemble the product on a sturdy, level and protective surface.
6. Please wait until all steps are completed before fully tightening bolts.
7. Make sure all screws and bolts are tightly fastened before using the unit.

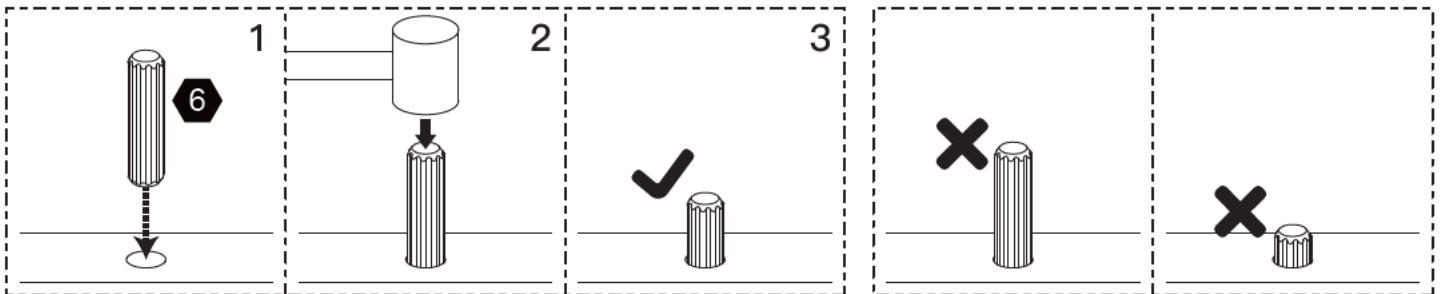


How the Assembly System Works



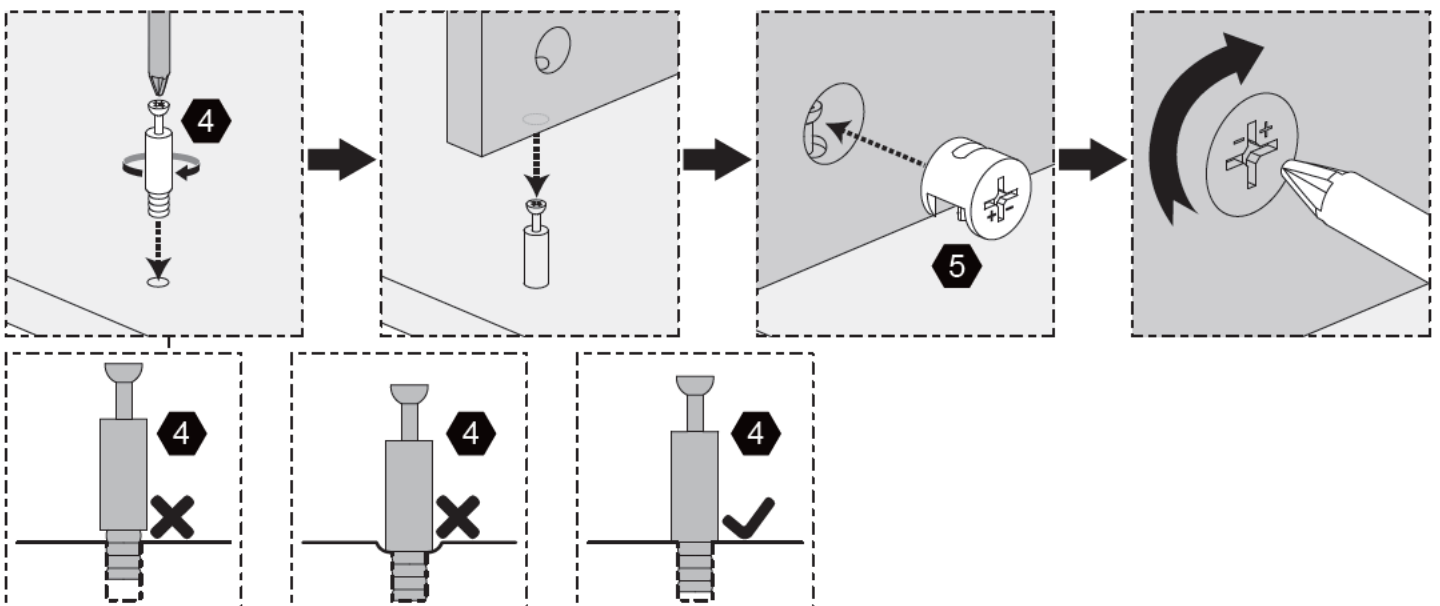
How to Install Wood Dowel

Insert the wood dowel [6] at least half-way. IF NECESSARY, lightly tap the wood dowel with a self-supplied rubber mallet.

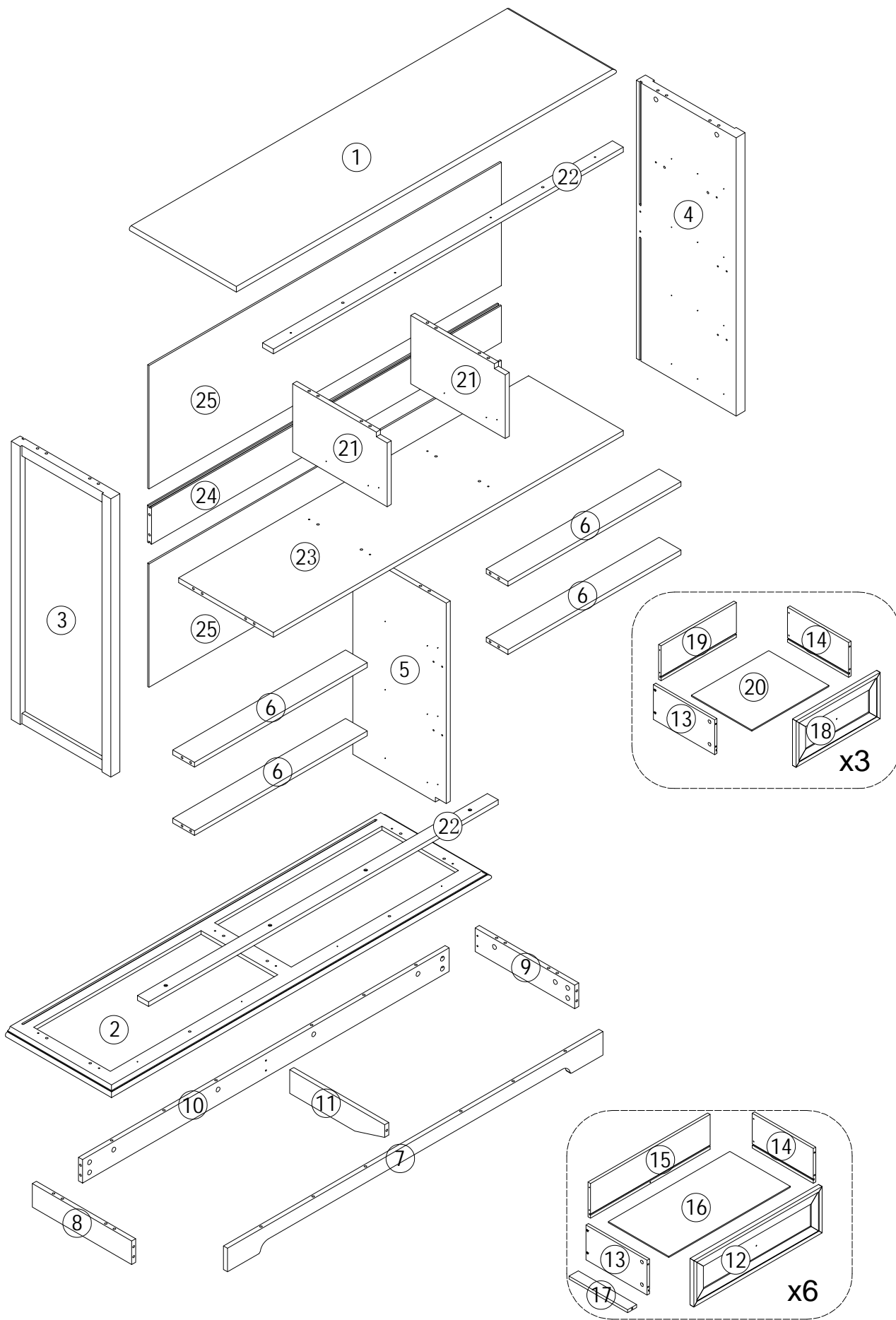


Cam Lock System Operation

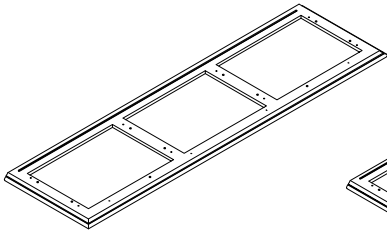
1. Screw the cam bolt [4] into the threaded insert on the panel.
2. Connect both panels together making sure cam bolt [4] goes into the pre-drilled large hole on the end of panel for cam lock [5].
3. Insert the cam lock [5] into the pre-drilled large hole on the panel. Make sure the cross slot of cam lock [5] faces out.
3. Rotate the cam lock [5] clockwise to lock the cam bolt [4] in place.



You are now ready to assemble the Fireplace TV Stand.

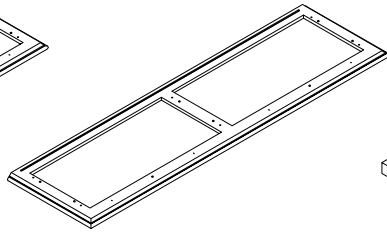


1



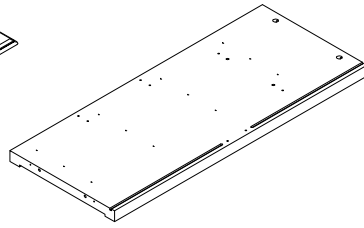
1pc

2



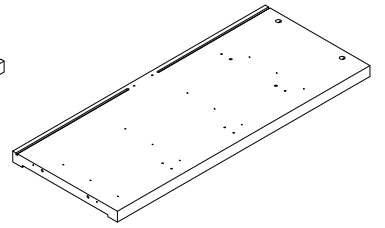
1pc

3



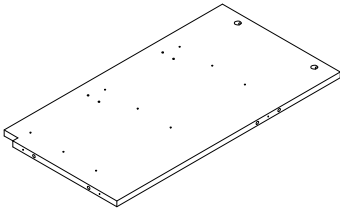
1pc

4



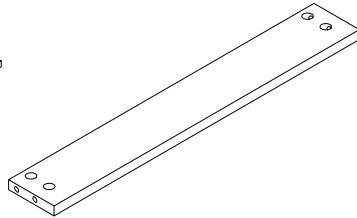
1pc

5



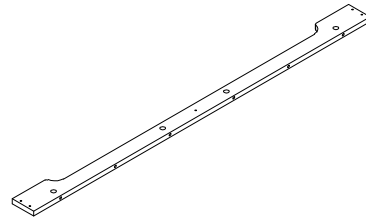
1pc

6



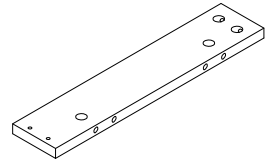
4pc

7



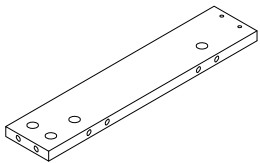
1pc

8



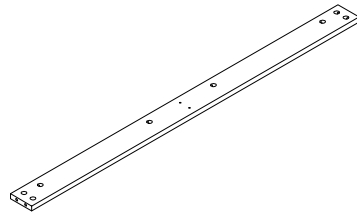
1pc

9



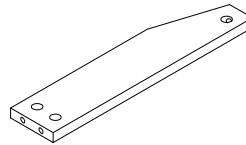
1pc

10



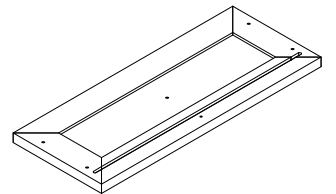
1pc

11



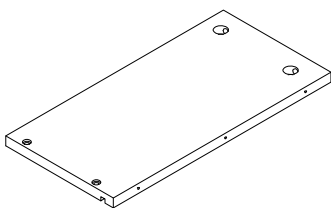
1pc

12



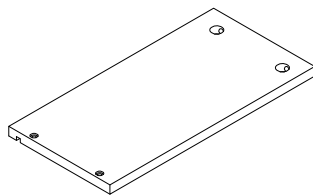
6pcs

13



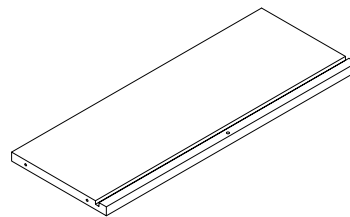
9pcs

14



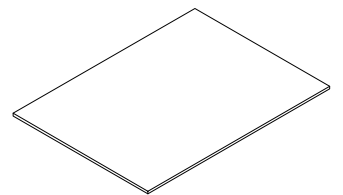
9pcs

15



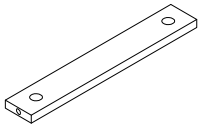
6pcs

16



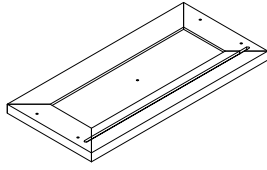
6pcs

17



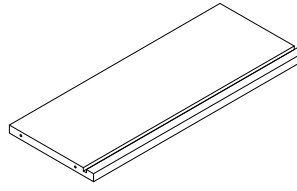
6pcs

18



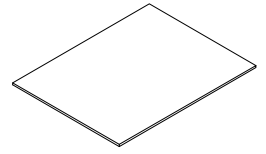
3pcs

19



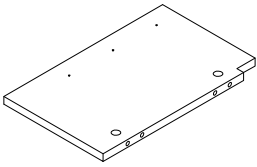
3pcs

20



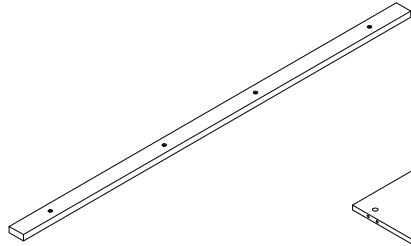
3pcs

21



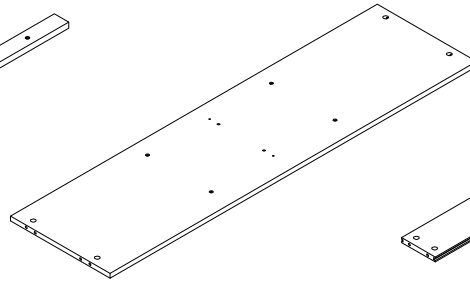
2pcs

22



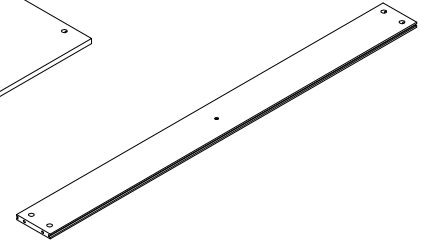
2pcs

23



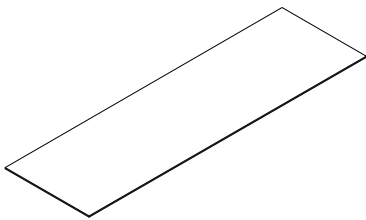
1pc

24



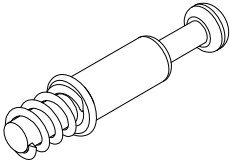
1pc

25



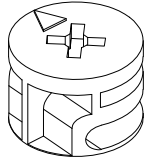
2pcs

A



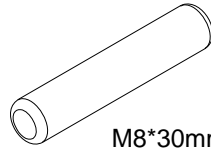
105pcs

B



105pcs

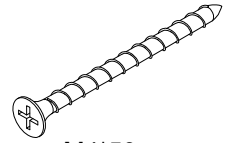
C



M8*30mm

38pcs

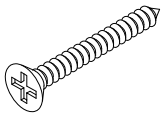
D



M4*50mm

10pcs

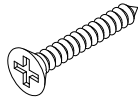
E



M4*35mm

37pcs

F



M4*25mm

8pcs

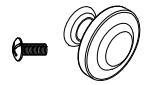
G



M3*12mm

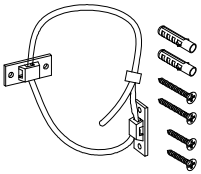
108pcs

H



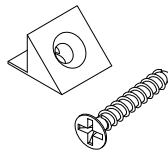
9pcs

I

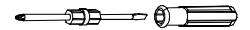


2pcs

J

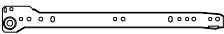


8pcs



1pc

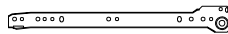
CL



L250mm

9pcs

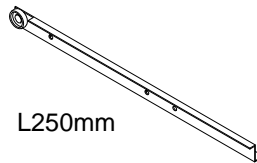
CR



L250mm

9pcs

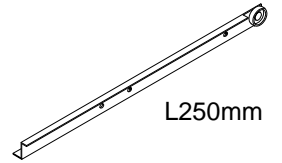
DL



L250mm

9pcs

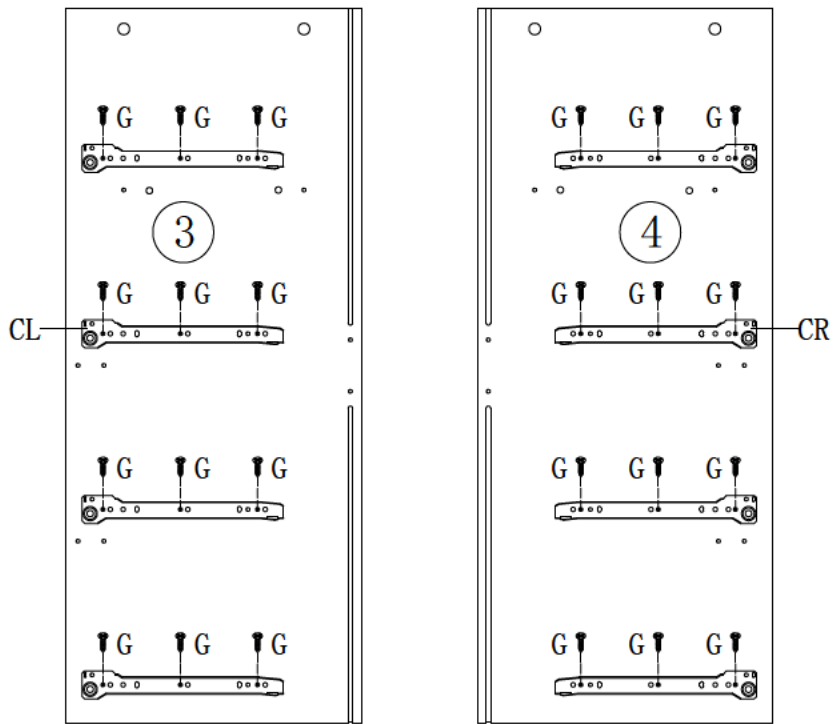
DR


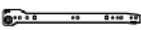
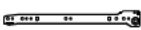


L250mm

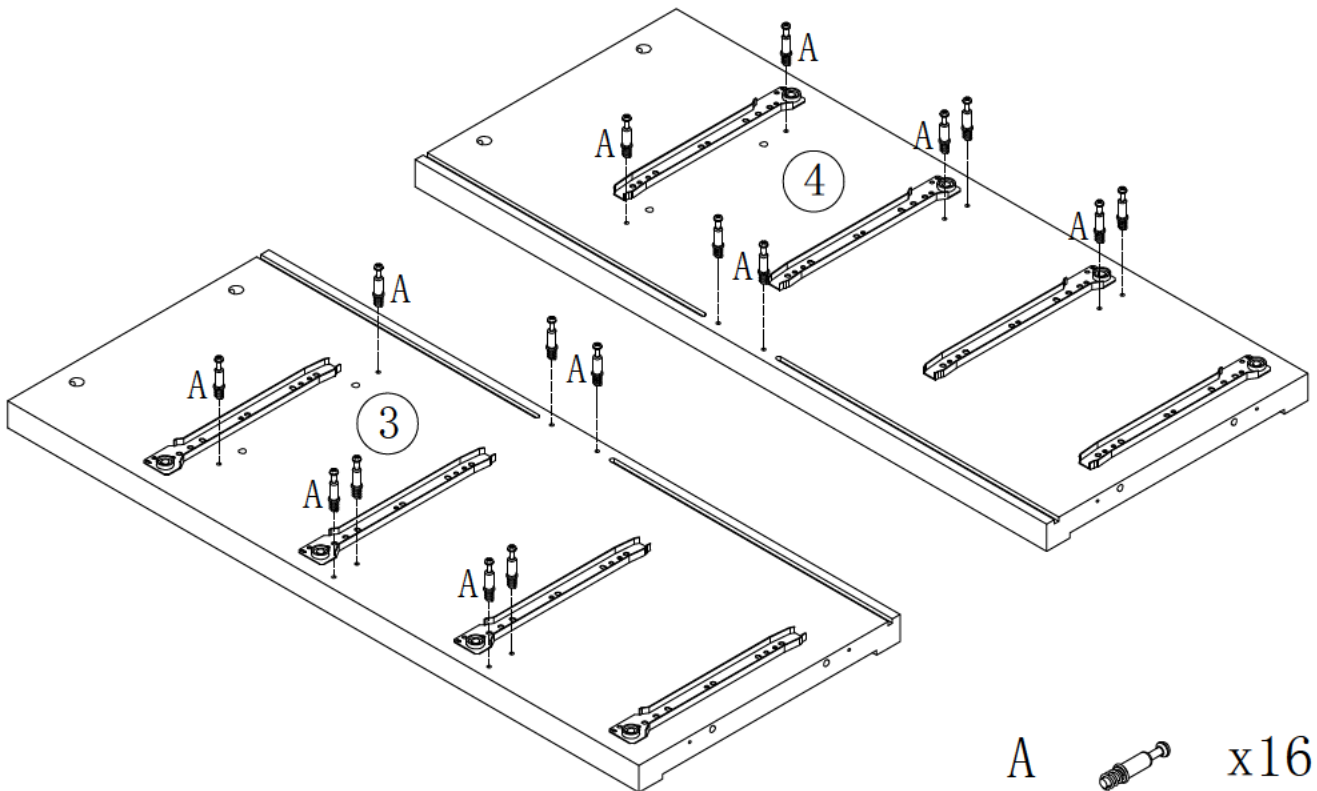
9pcs

Step 1



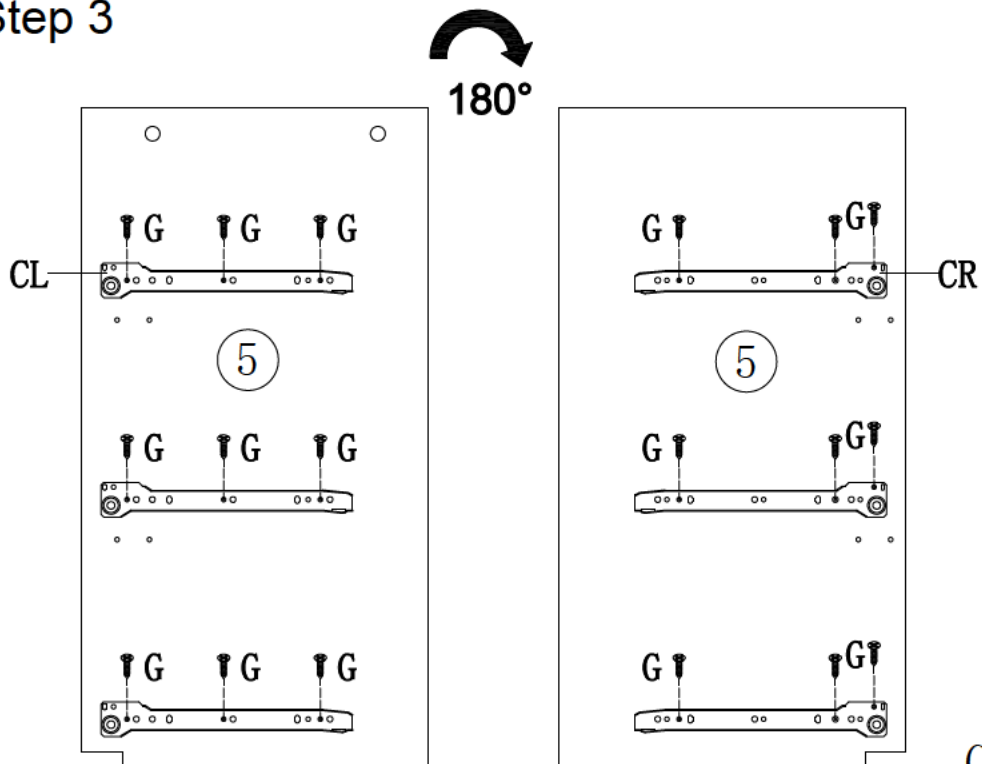
- G  x24
- CL  x4
- CR  x4


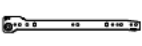
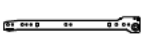
Step 2



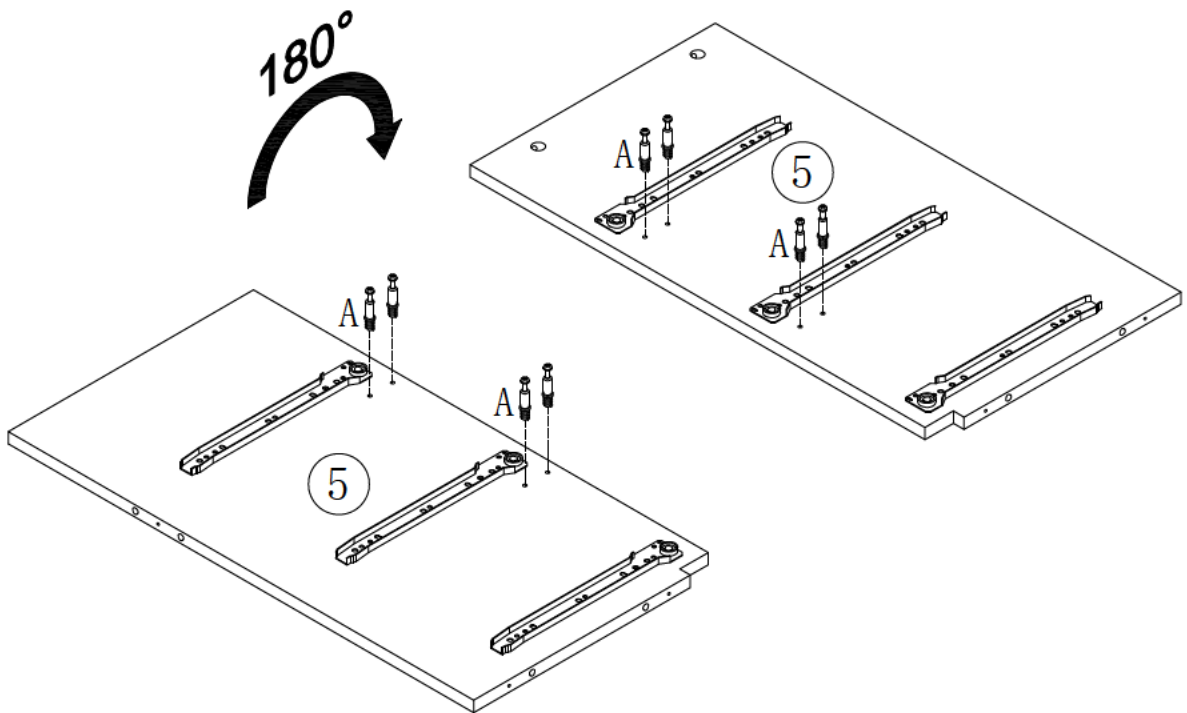
- A  x16

Step 3



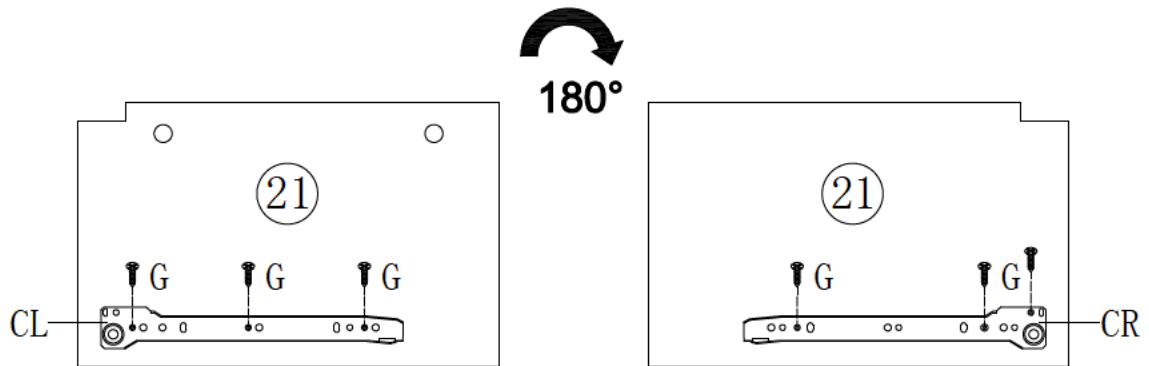
- G  x18
- CL  x3
- CR  x3

Step 4




- A  x8


Step 5



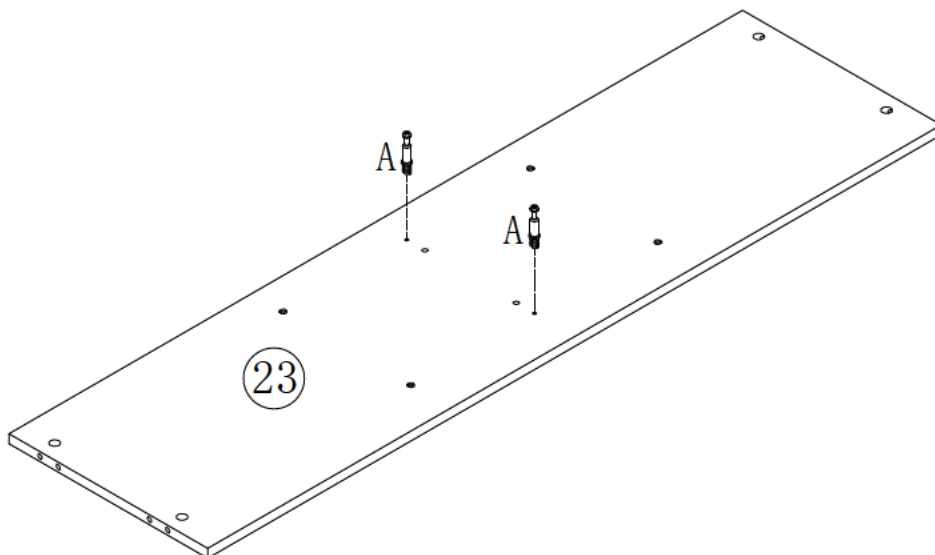
x2

G  x12

CL  x2

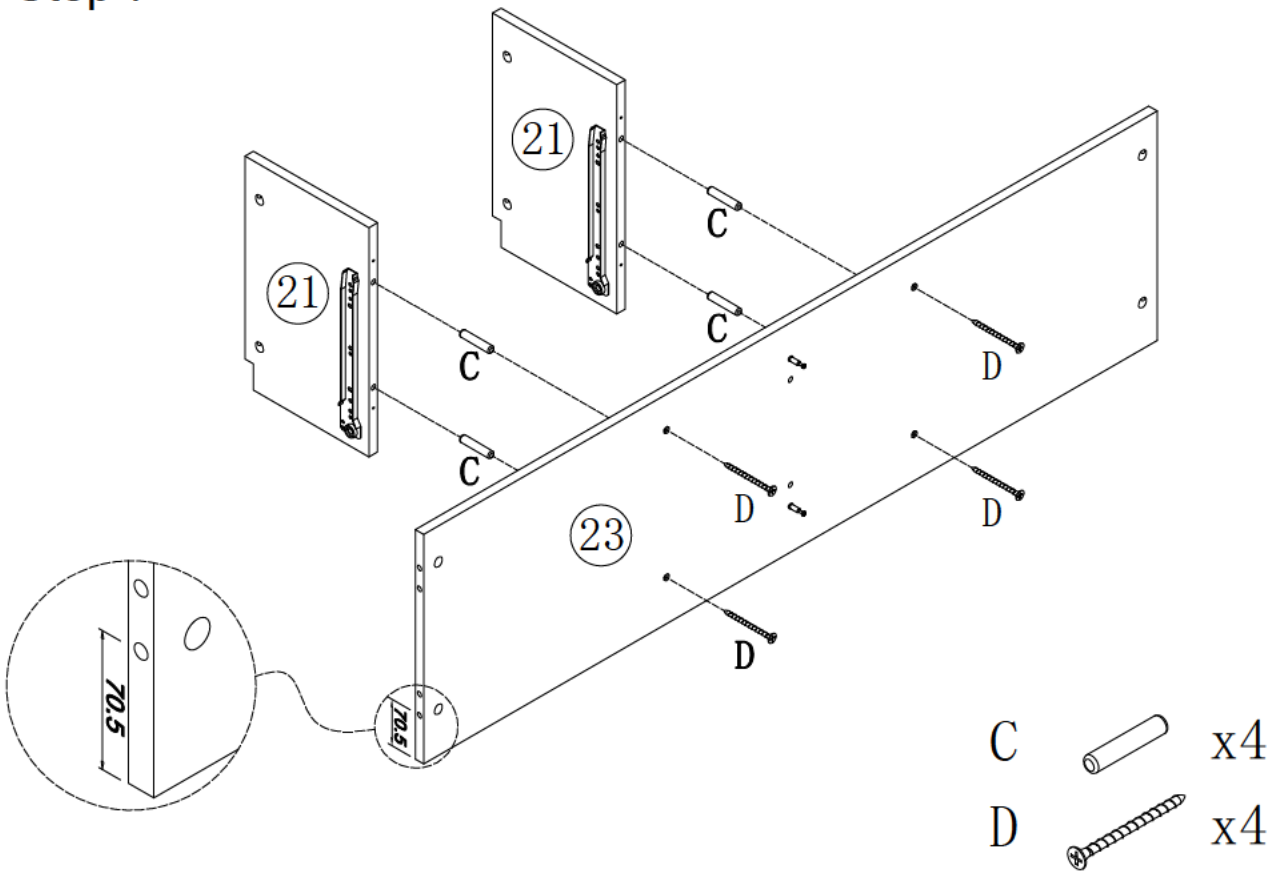
CR  x2

Step 6

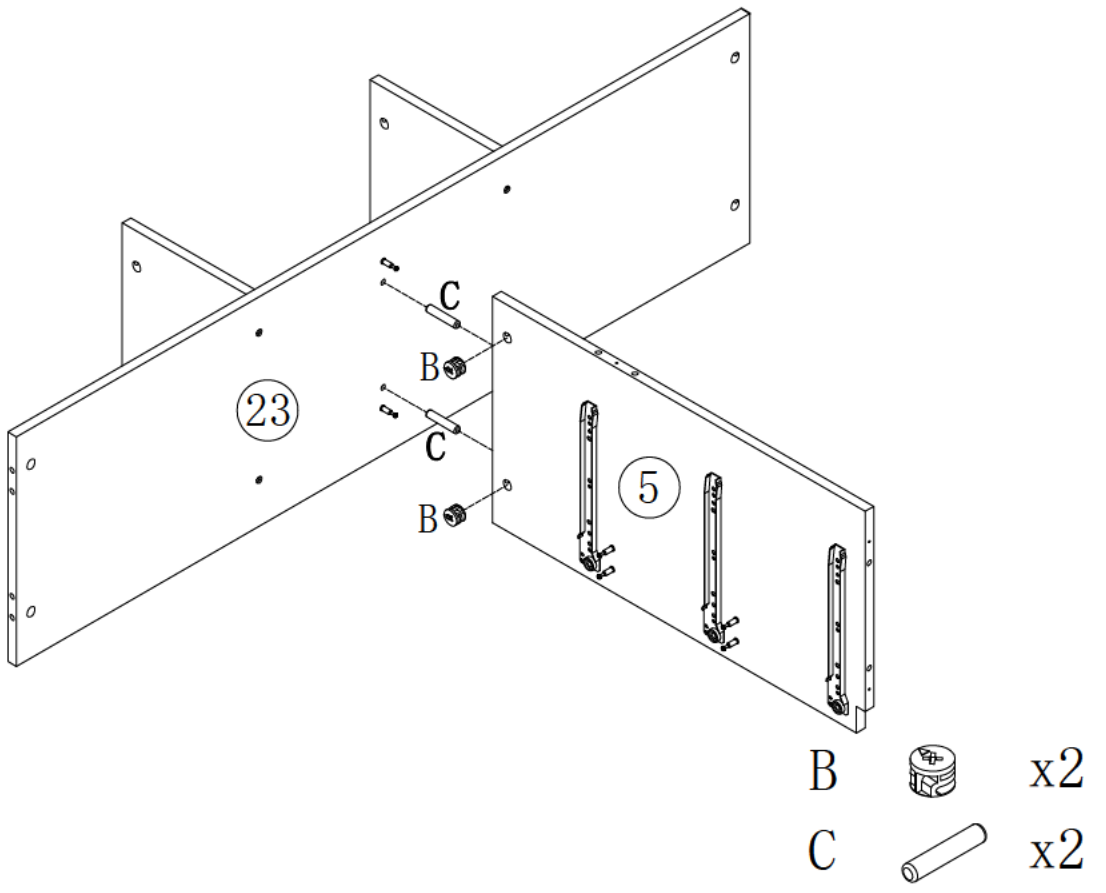


A  x2

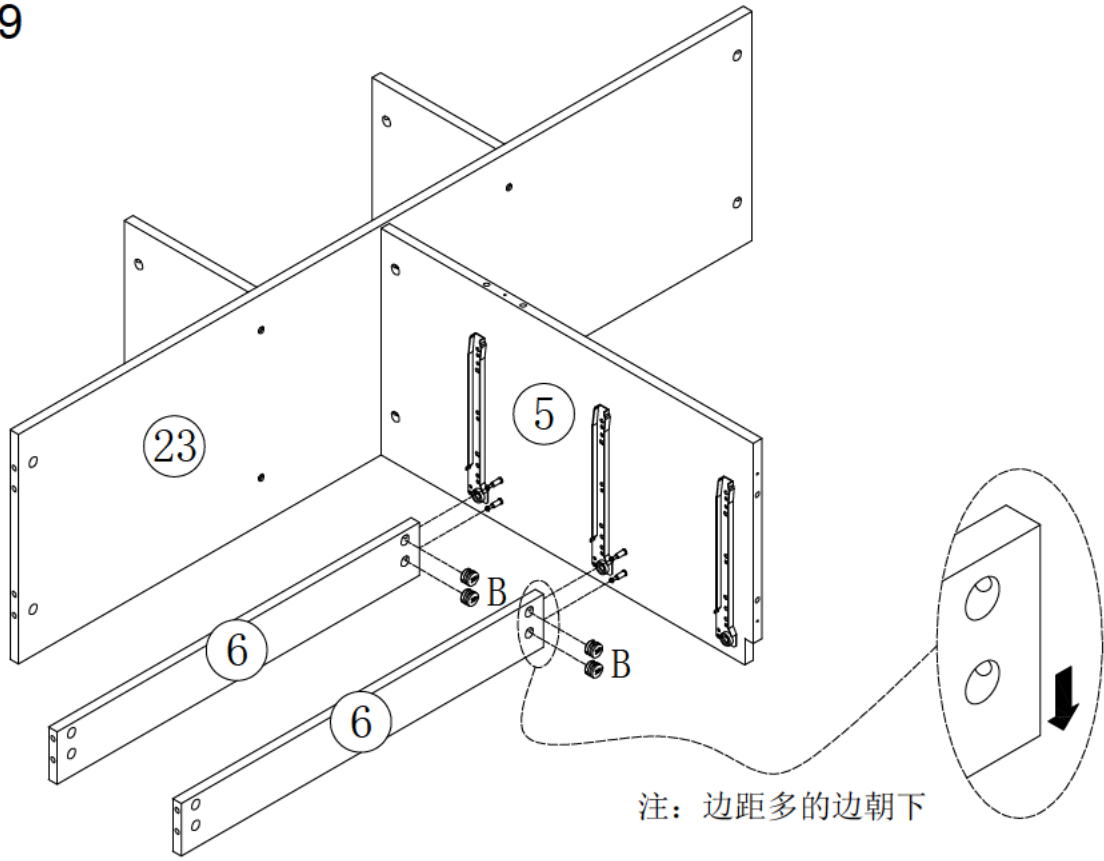
Step 7



Step 8

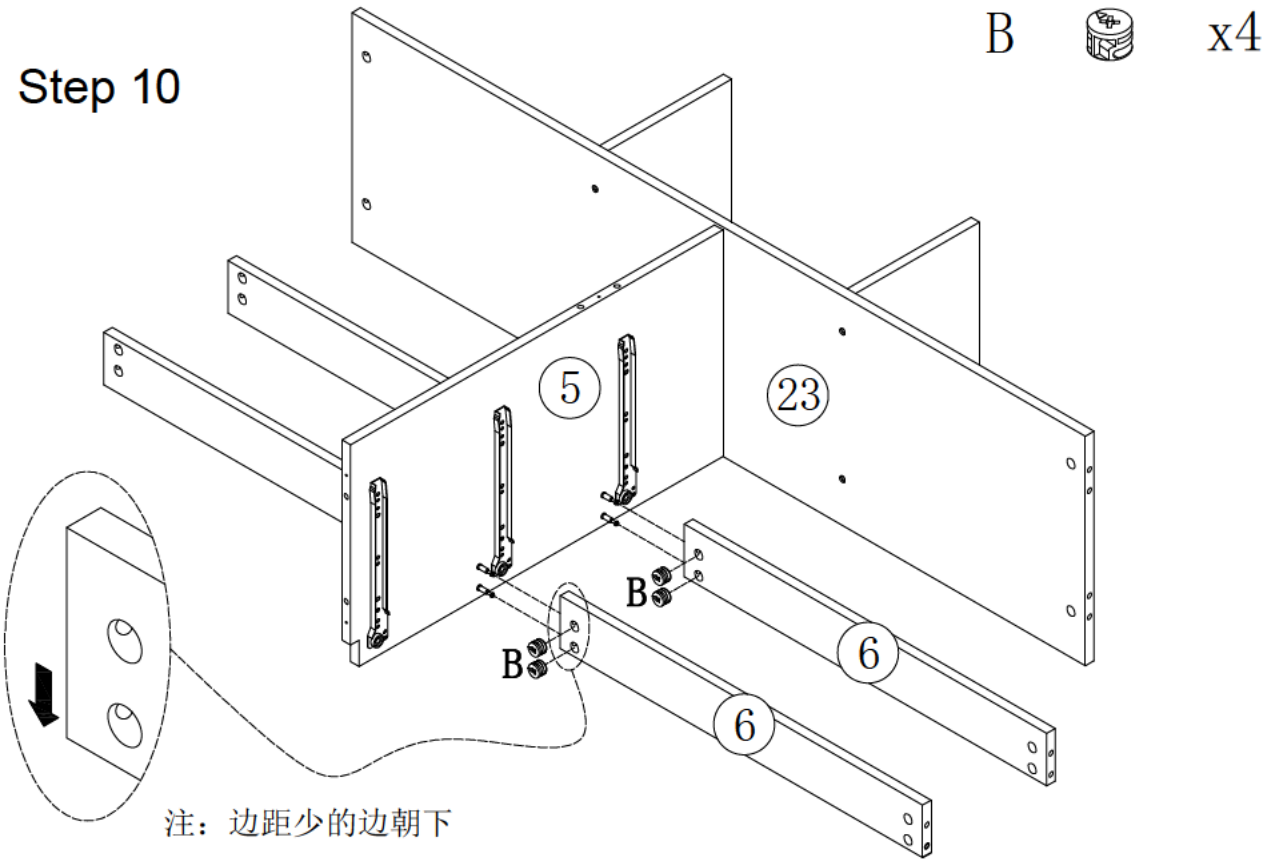


Step 9



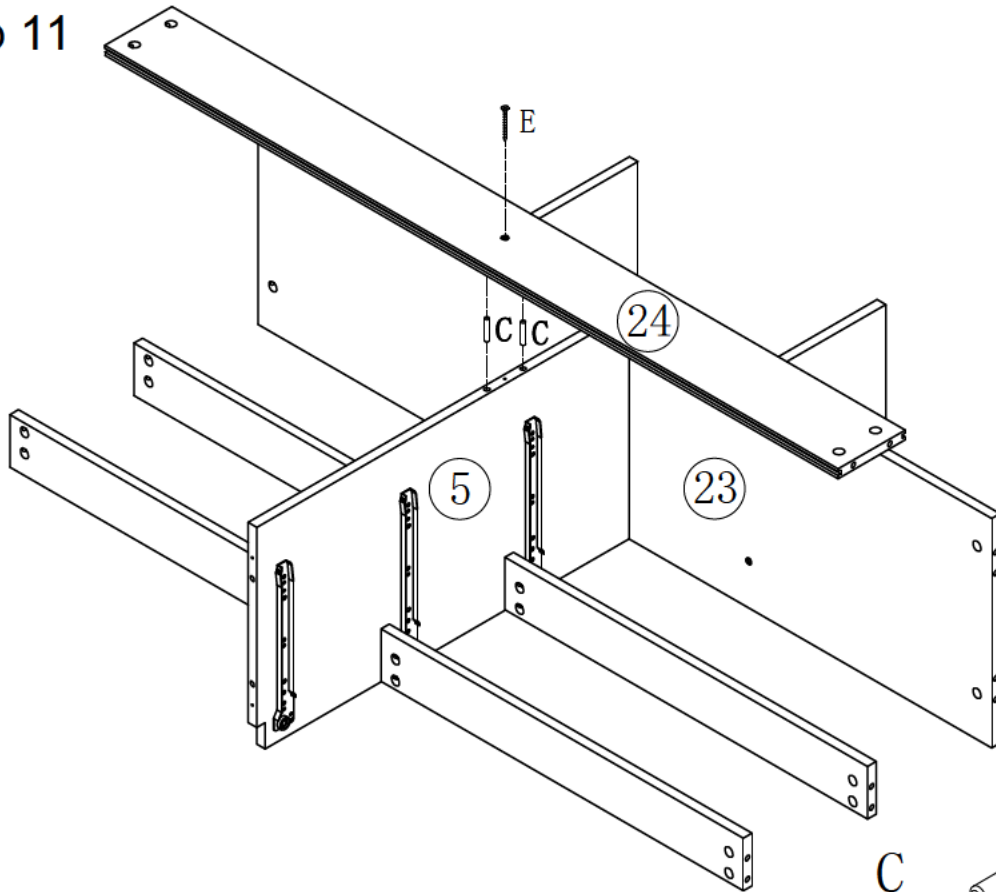
B  x4

Step 10



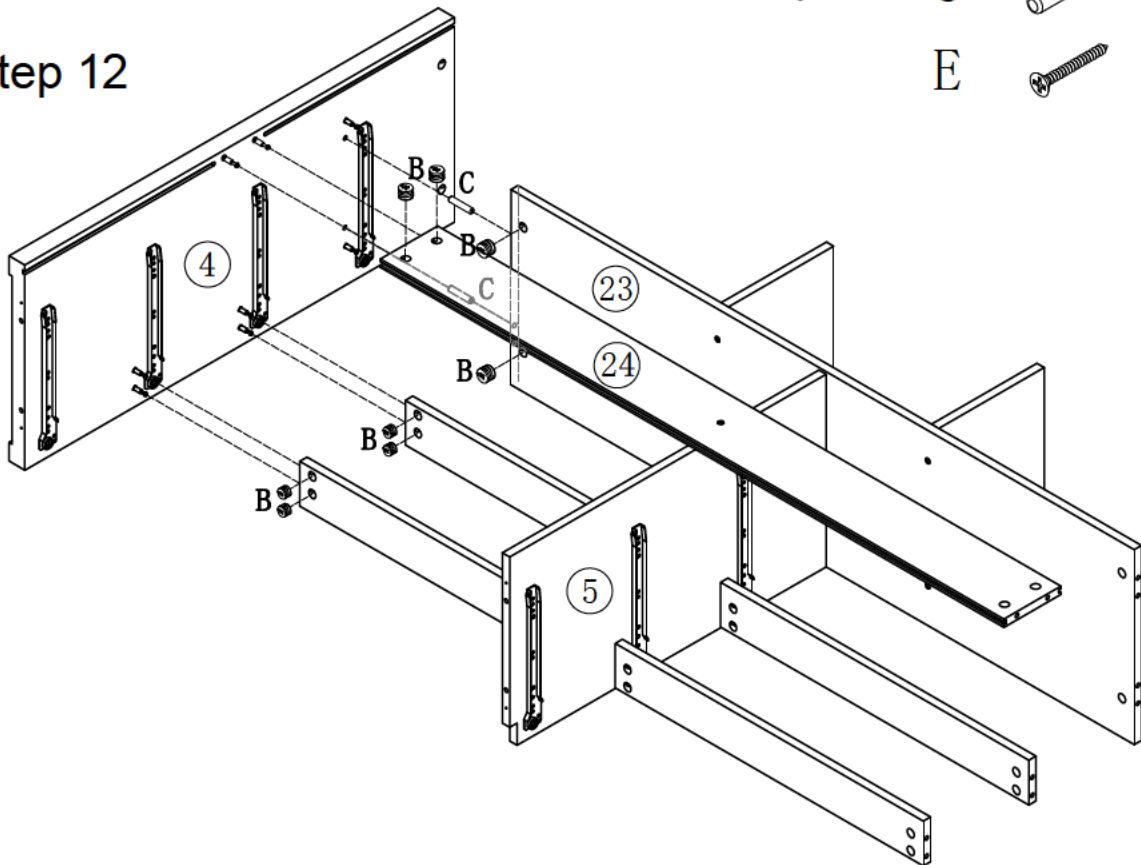
B  x4

Step 11



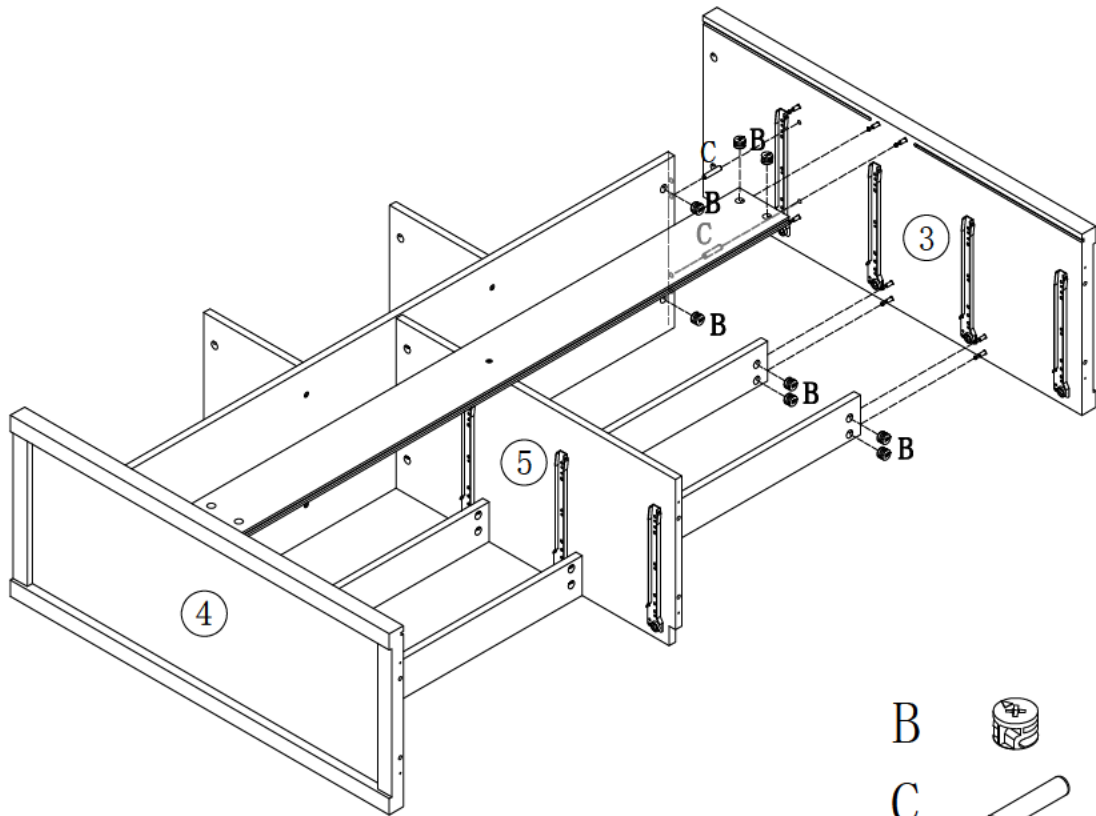
- C  x2
- E  x1

Step 12

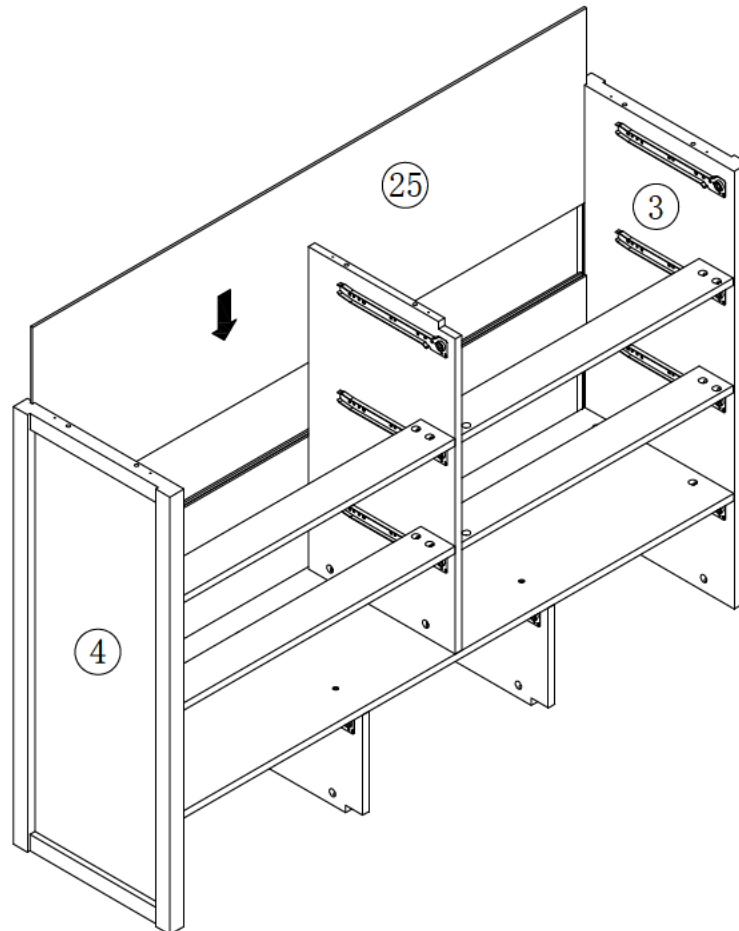


- B  x8
- C  x2

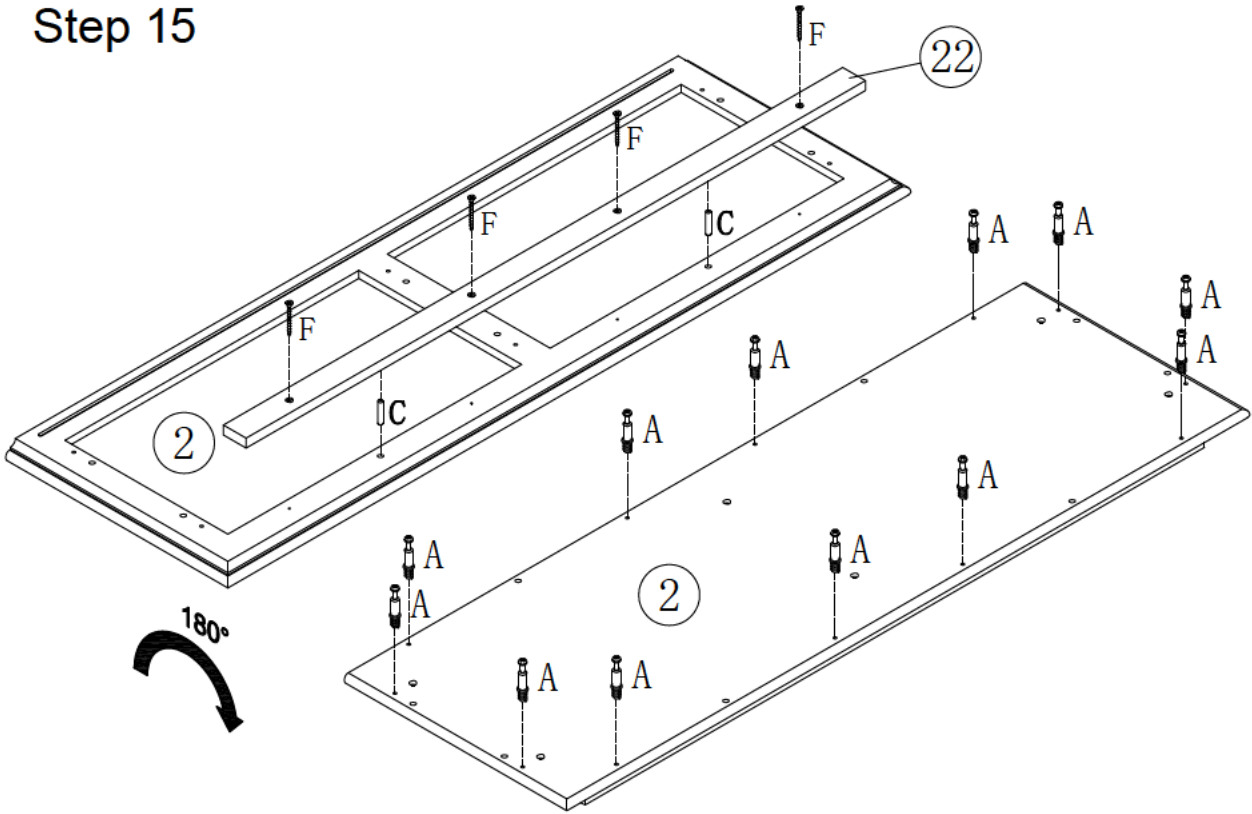
Step 13






Step 14

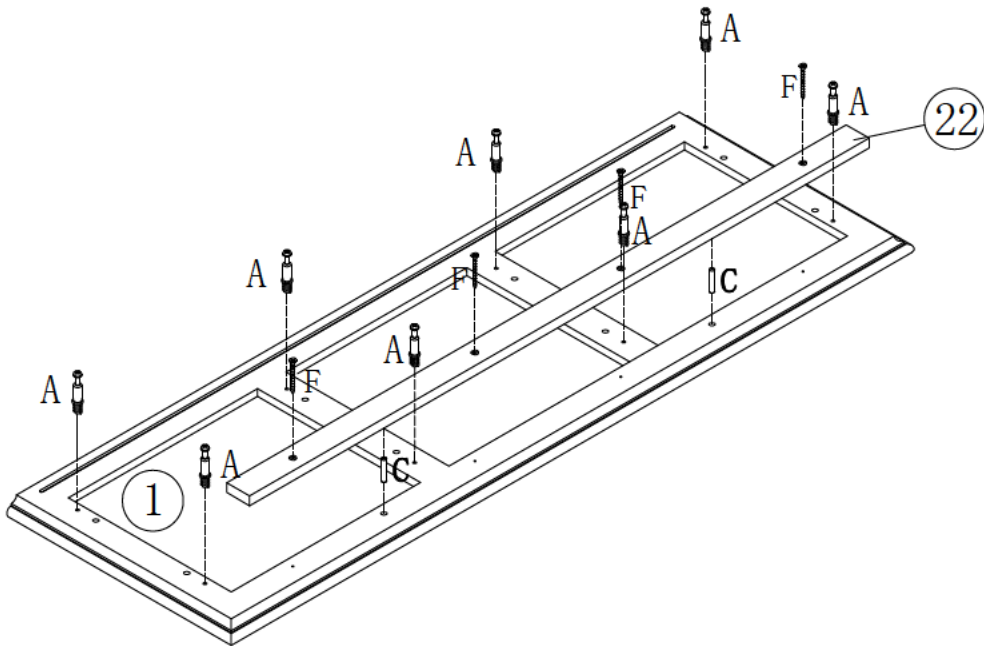



Step 15



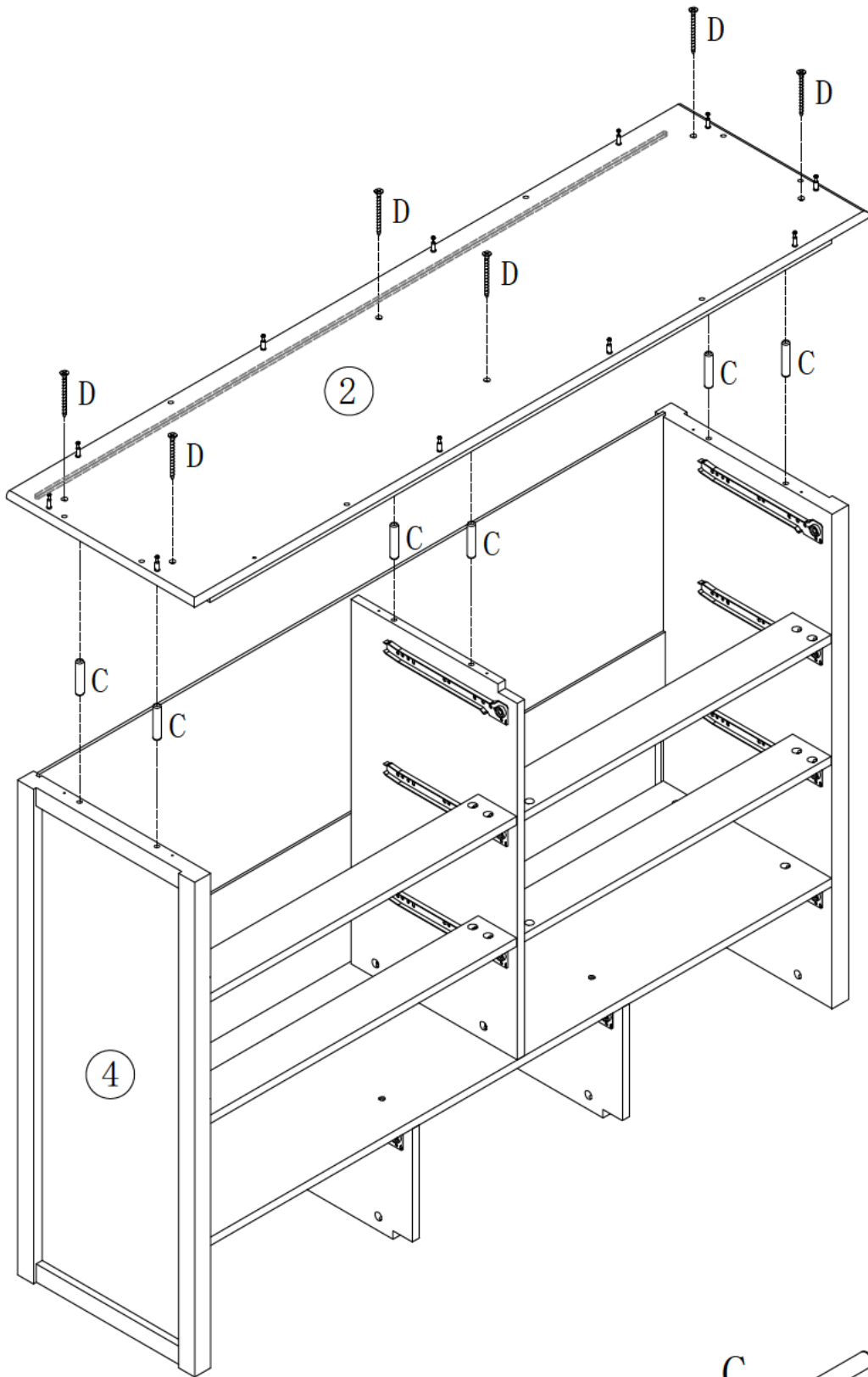
A  x12 C  x2 F  x4

Step 16



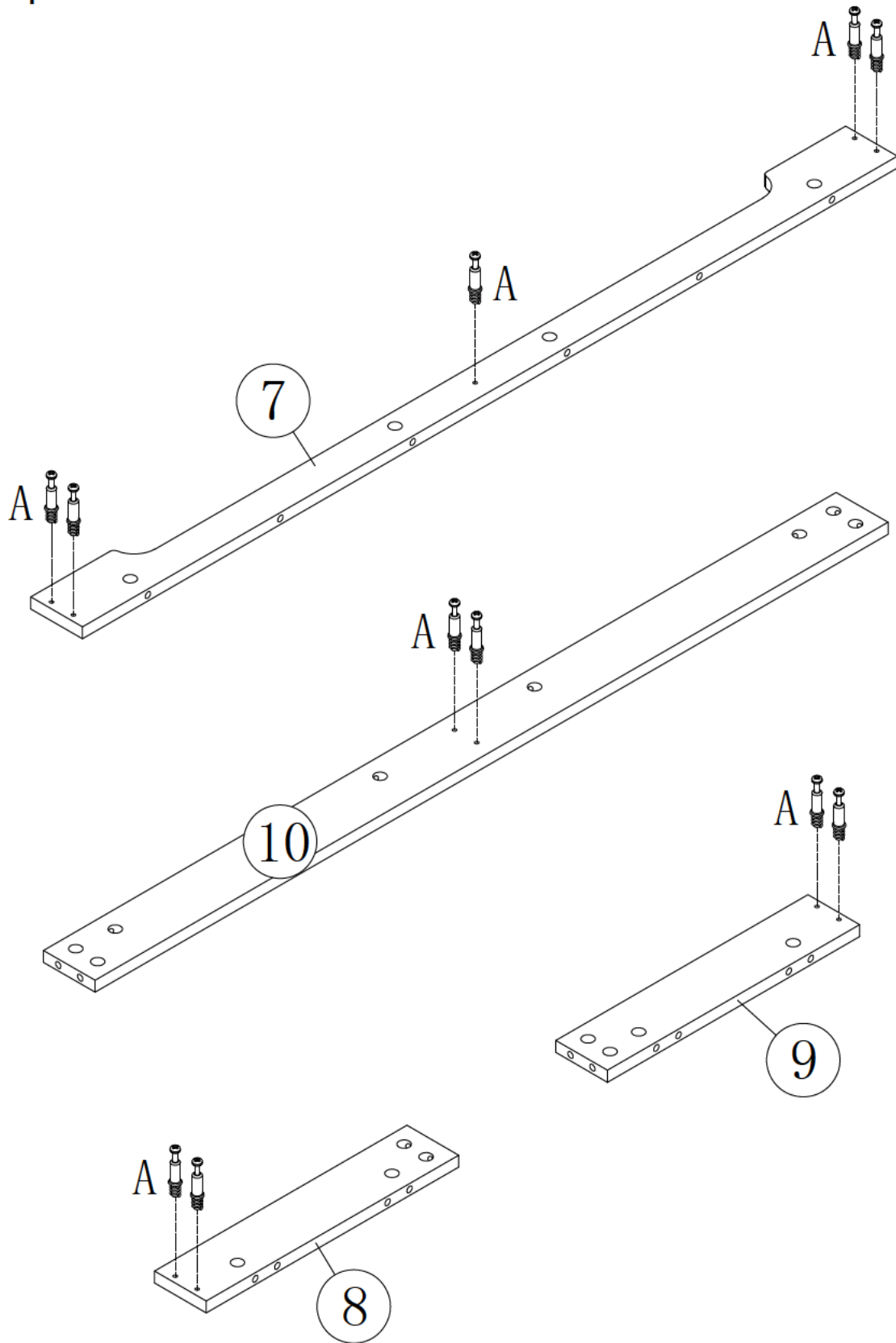
A  x8 C  x2 F  x4

Step 17



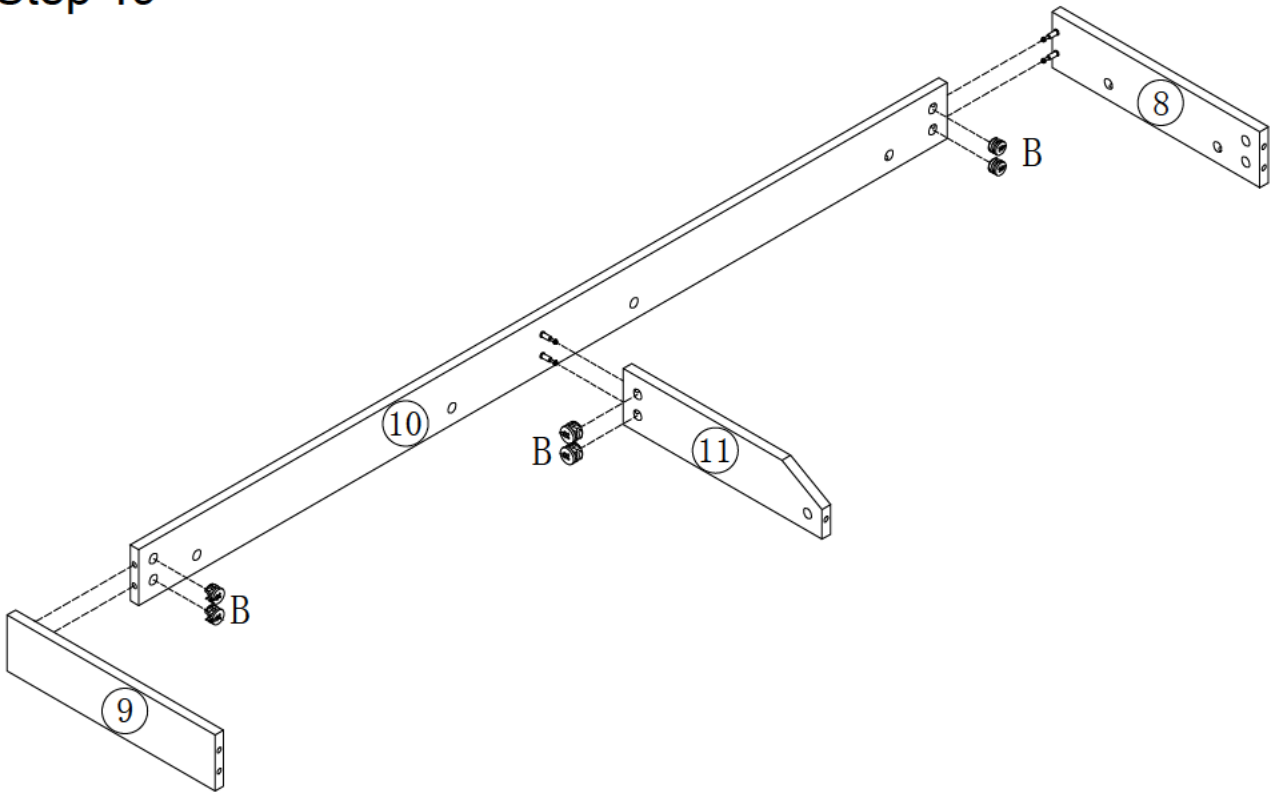
- C  x6
- D  x6

Step 18



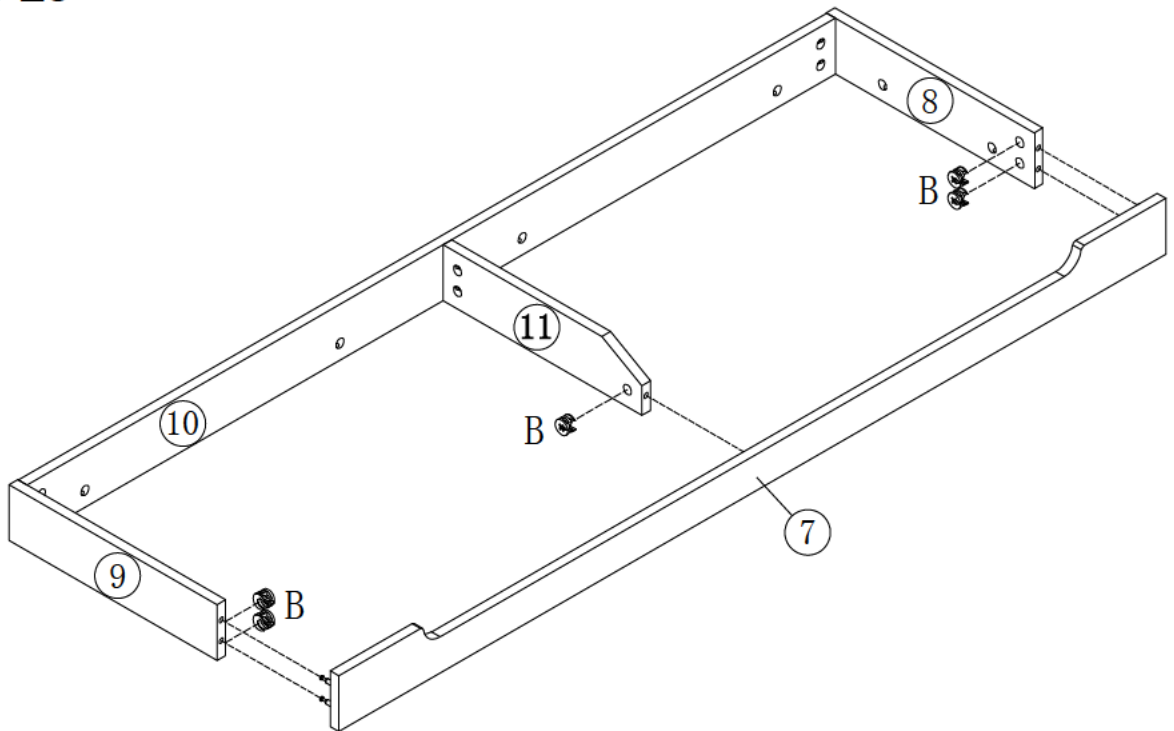
A  x11

Step 19



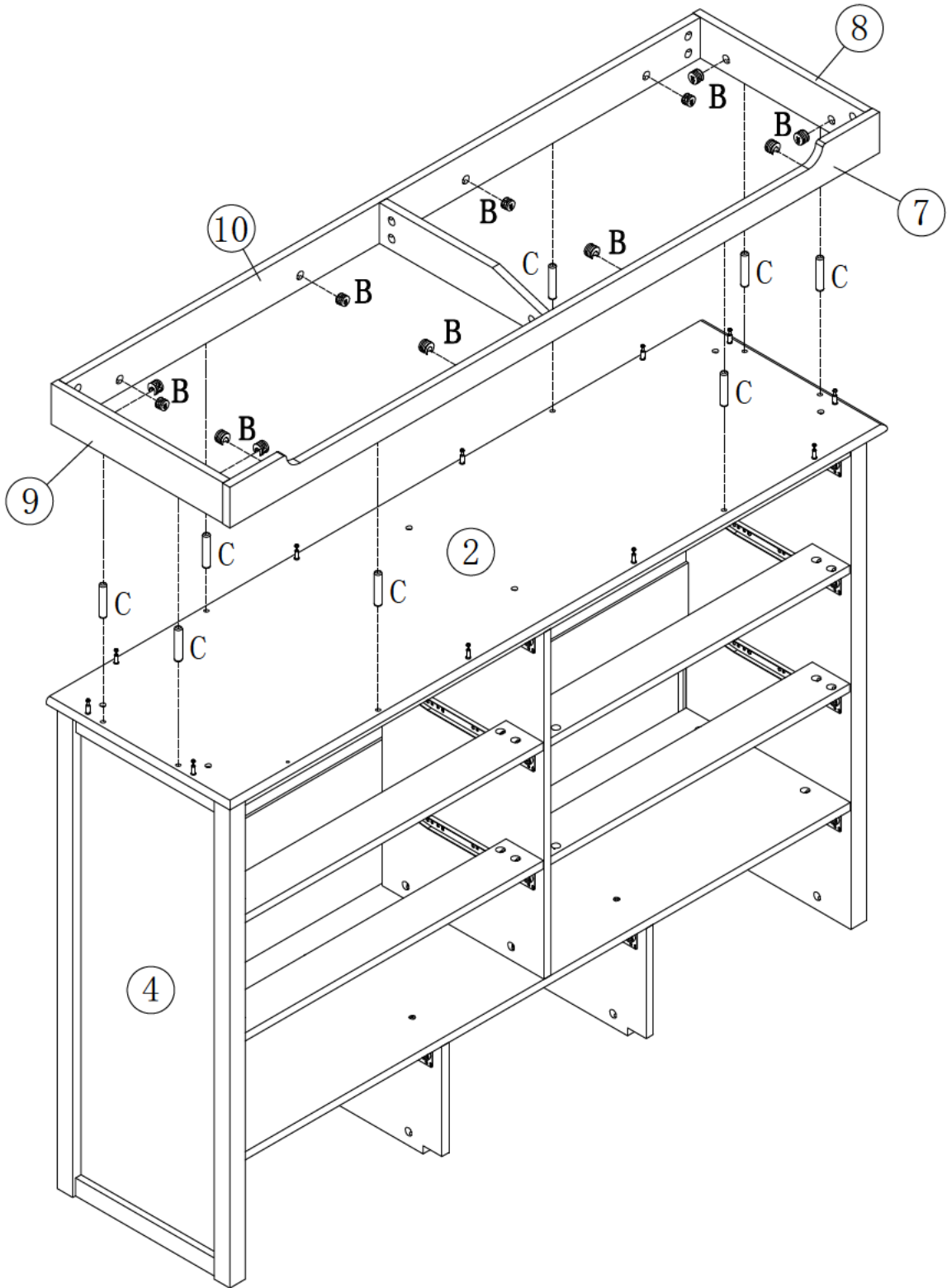
B  x6


Step 20



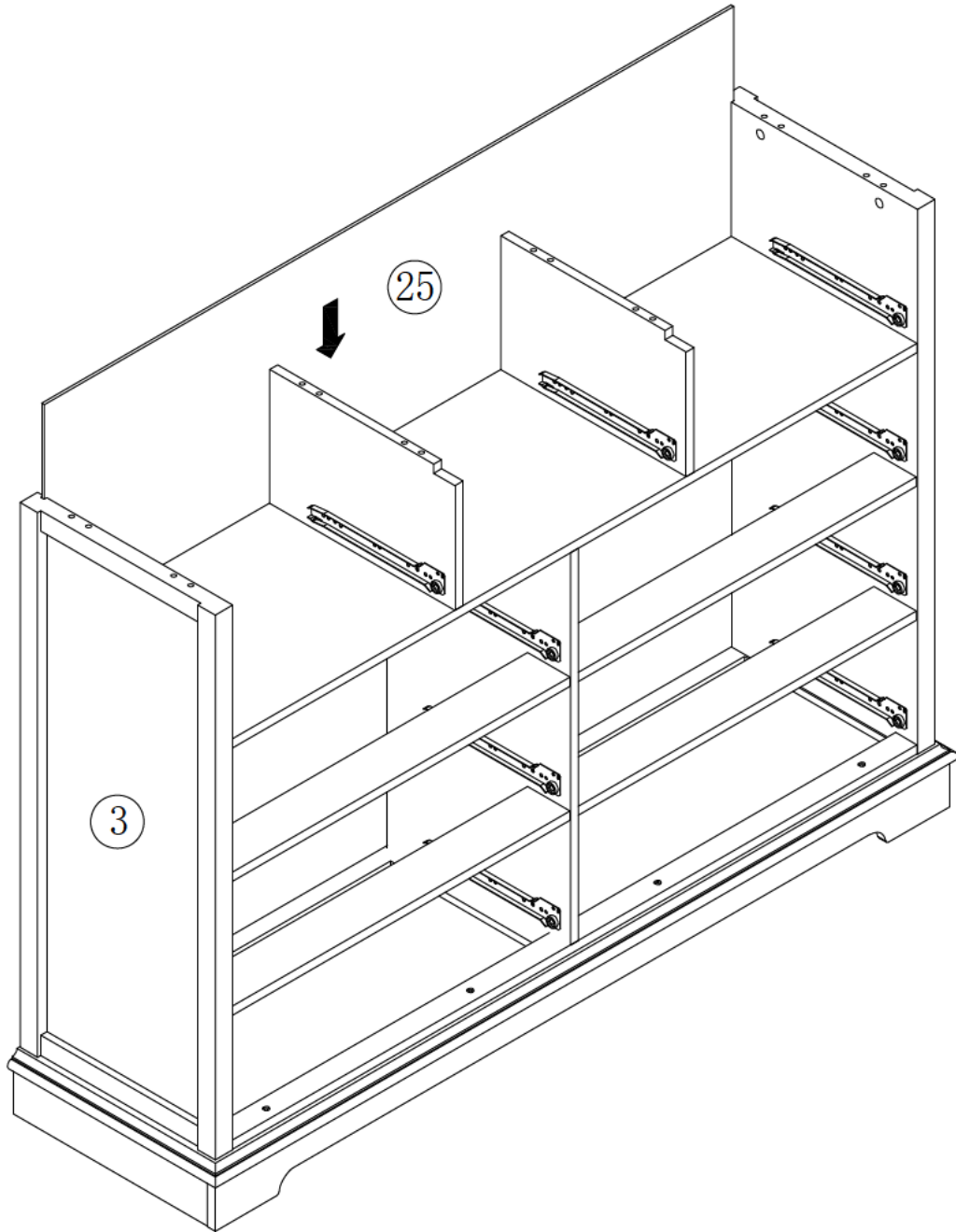
B  x5

Step 21

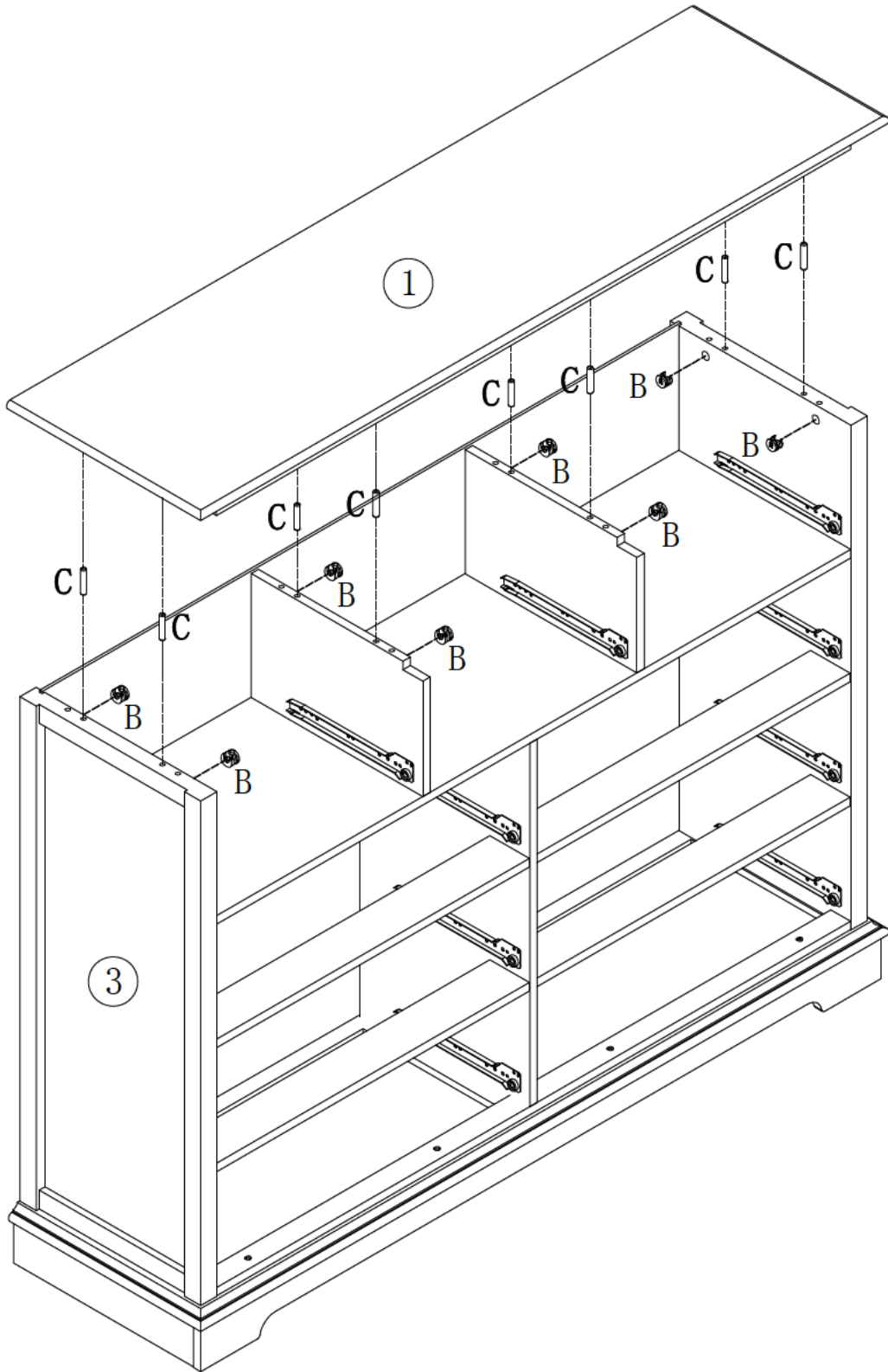


- B  x12
- C  x8

Step 22

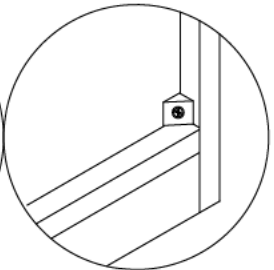
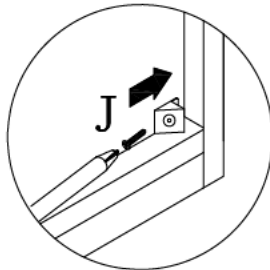
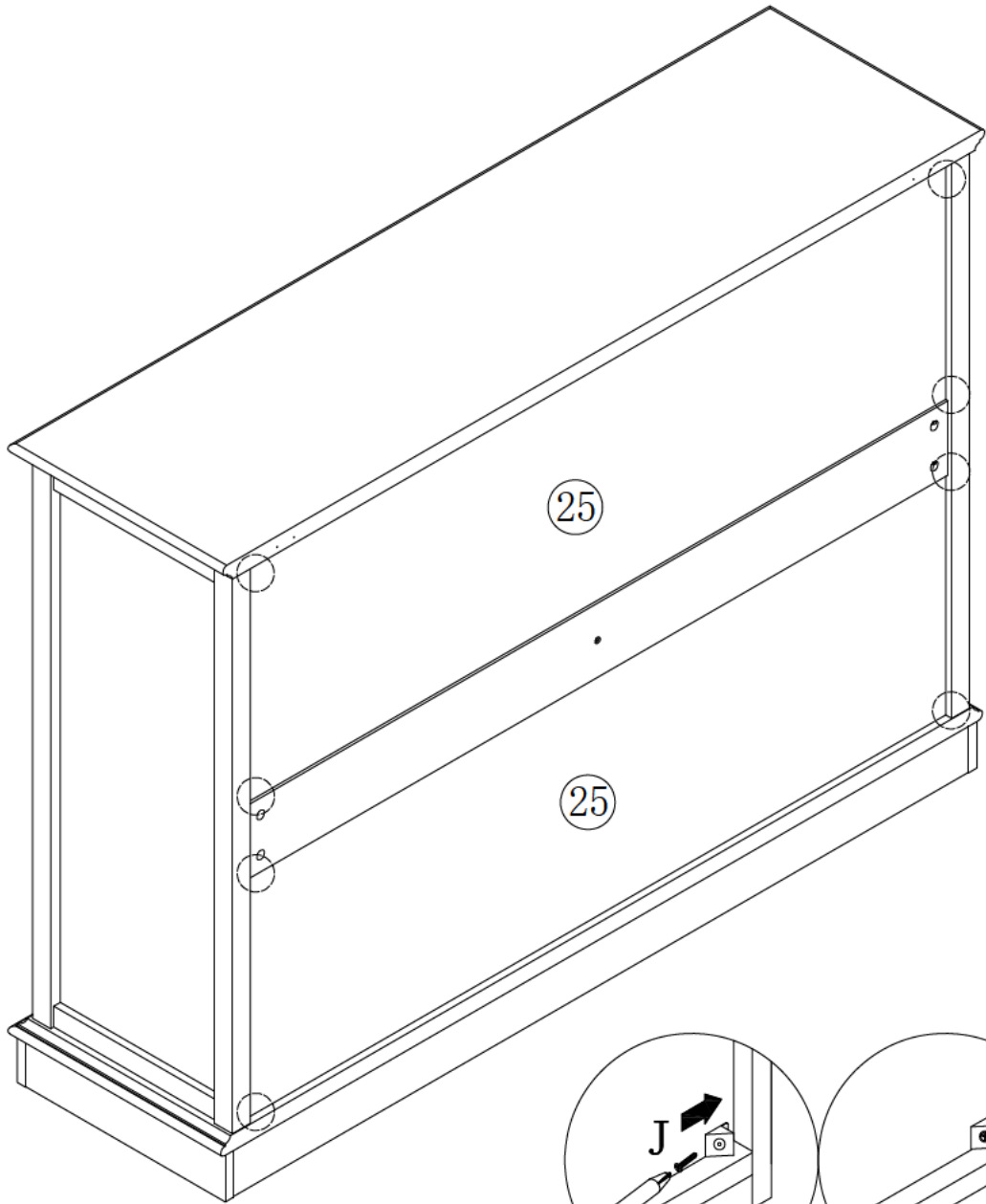


Step 23



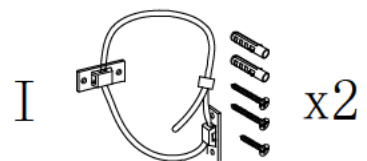
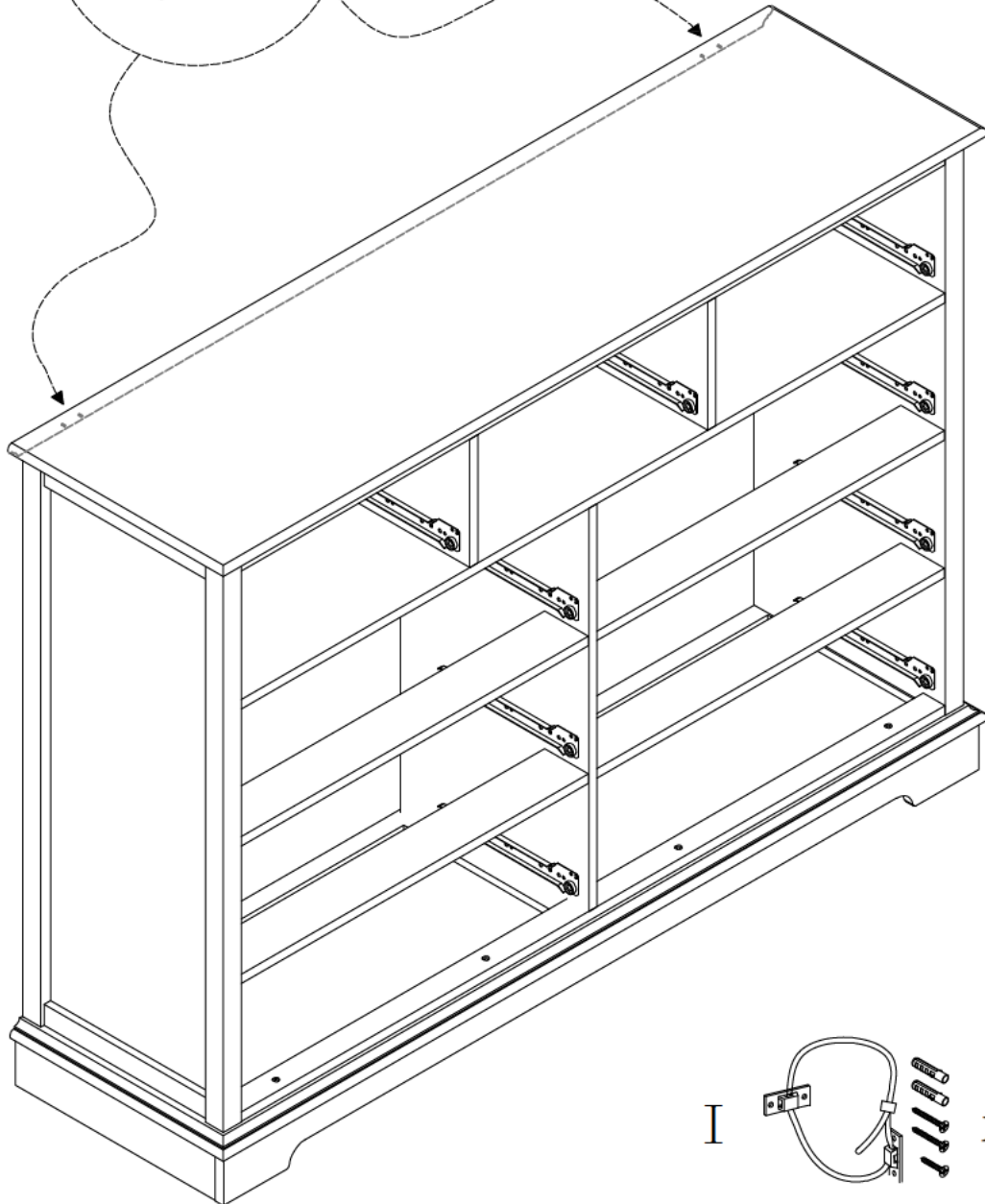
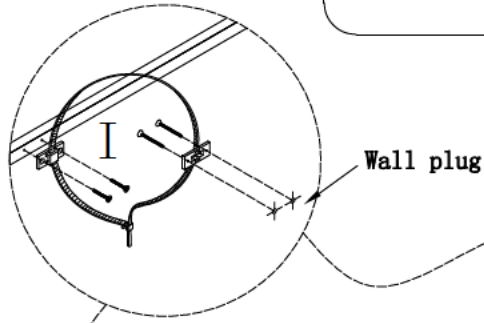
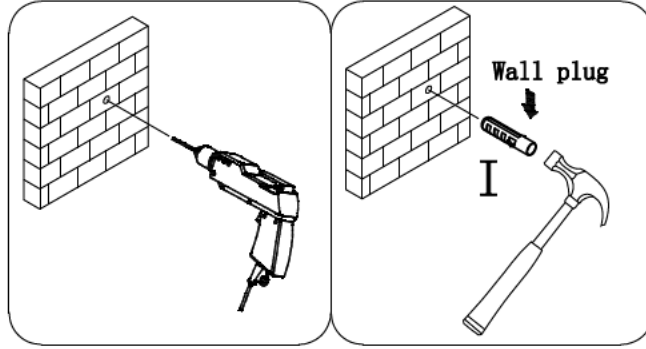
- B  x8
- C  x8

Step 24



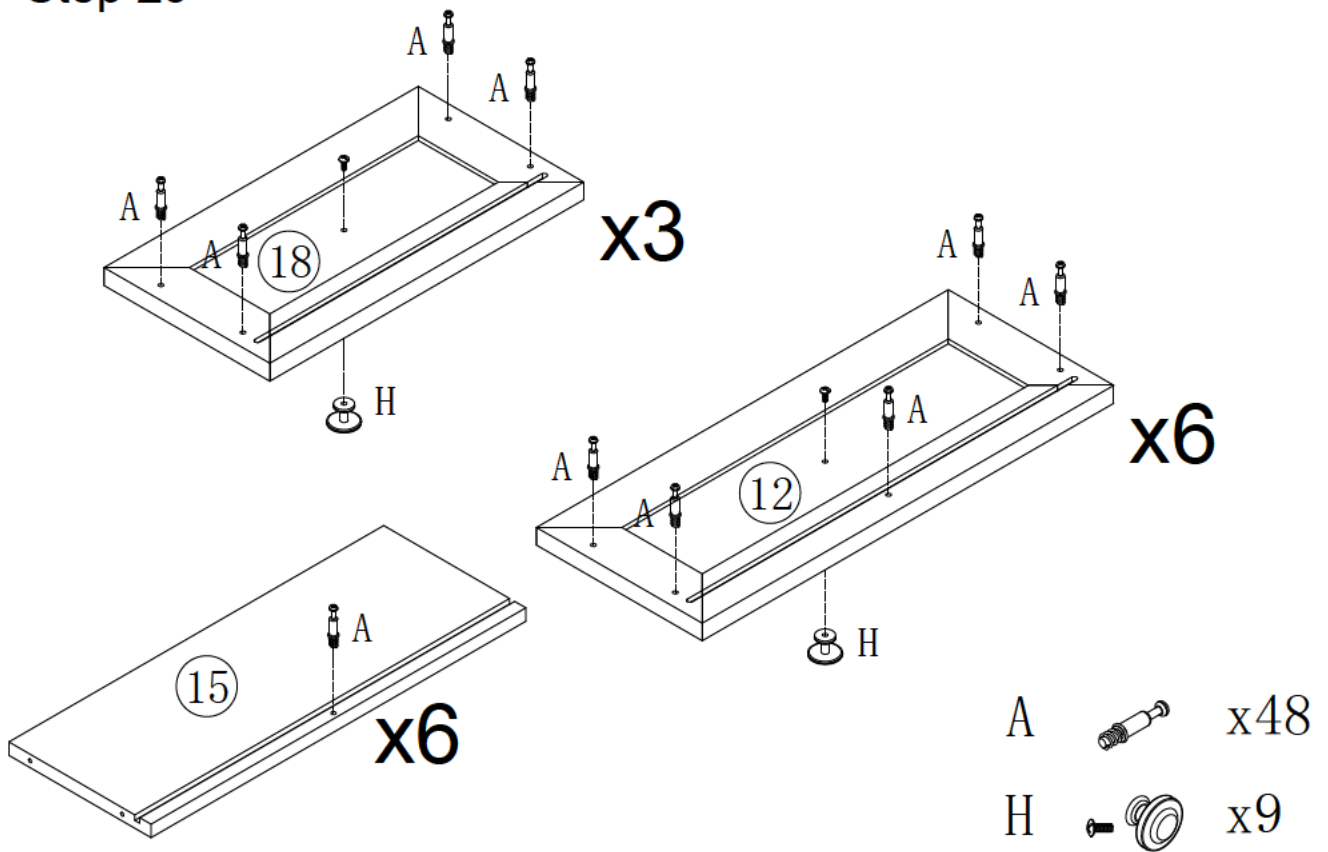
J  x8

Step 25

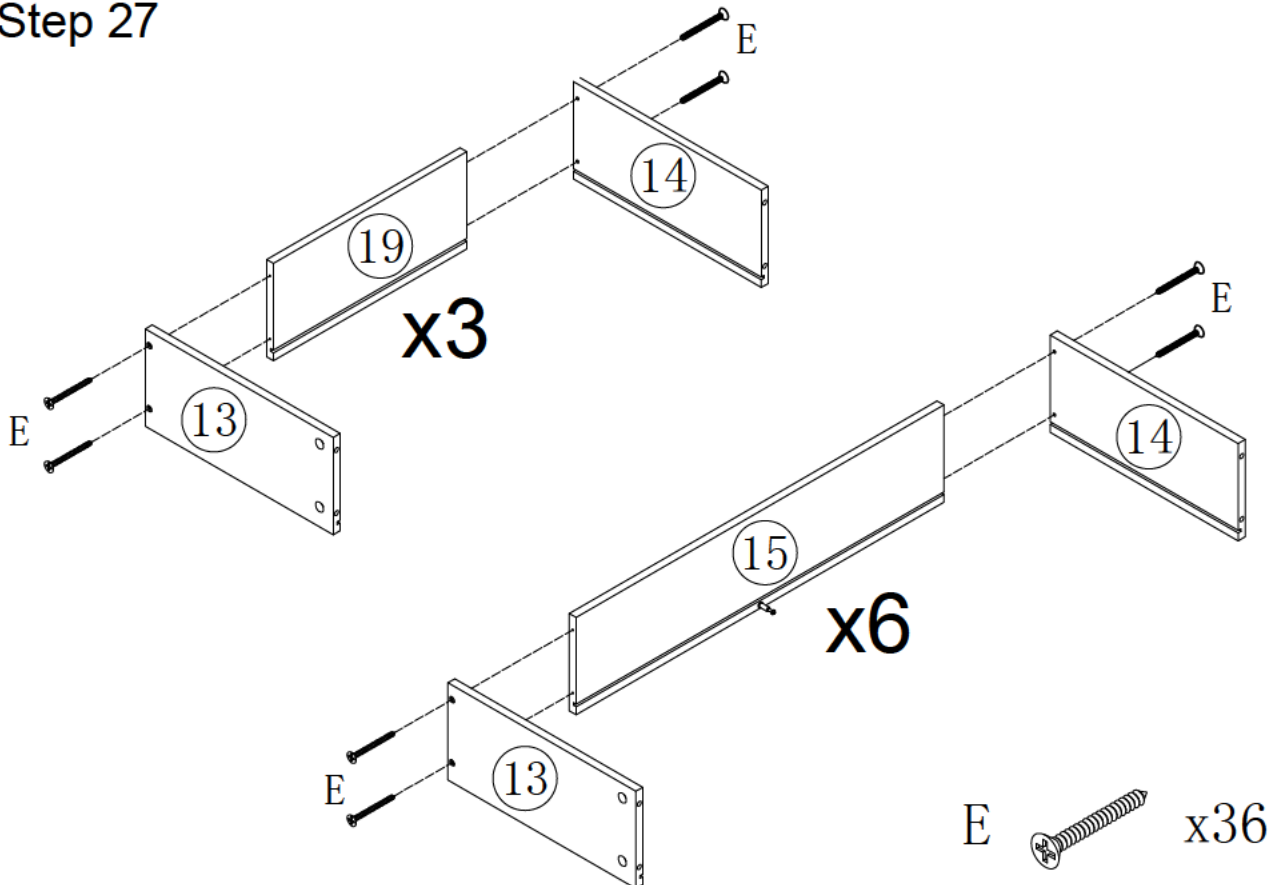


WARNING
Serious or fatal injuries can occur from furniture tipping over. To prevent the furniture from tipping over we recommend that it is permanently fixed to the wall. Wall anchor and hardware are included with this product. Please make sure hardware is suitable for your walls before installing, as different wall materials may require different types of anchors.

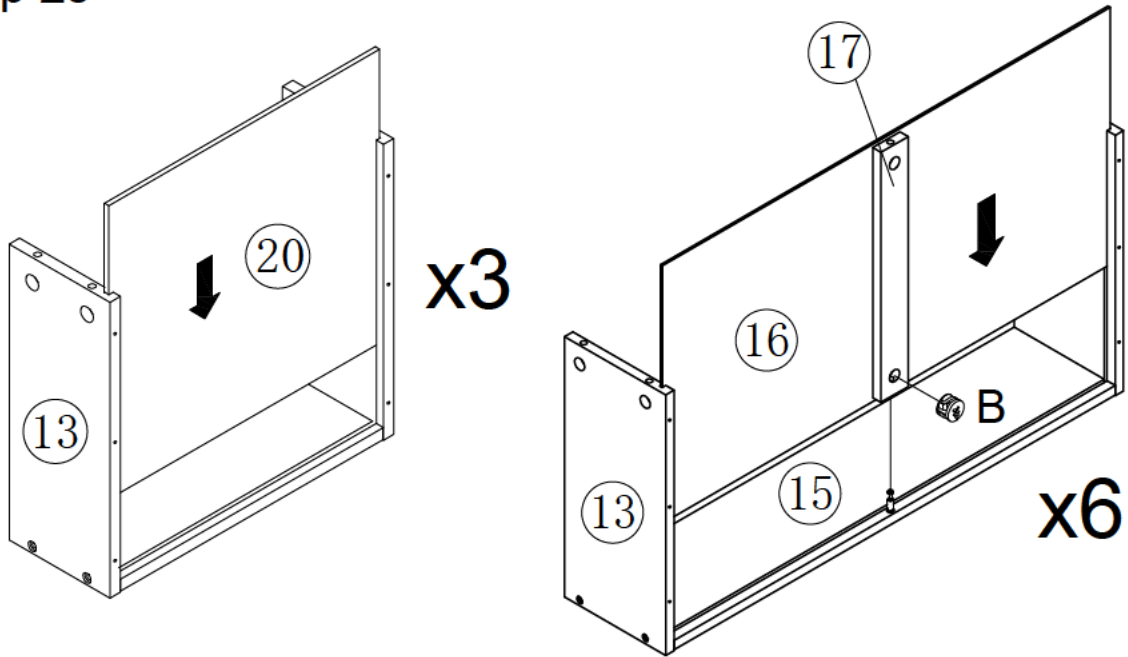
Step 26



Step 27

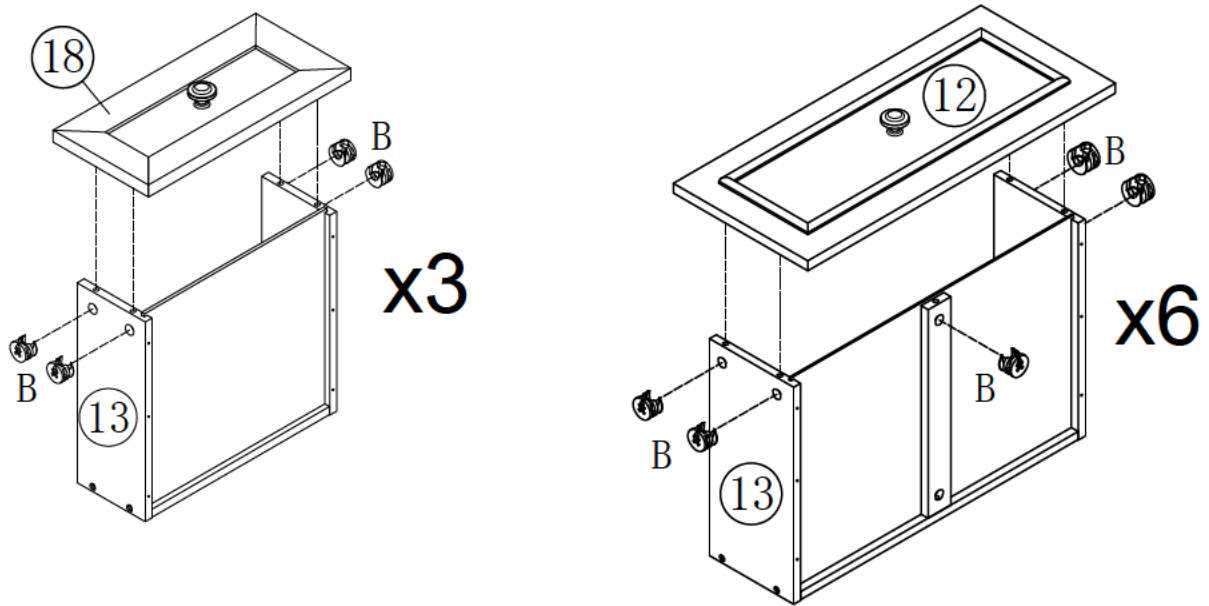


Step 28



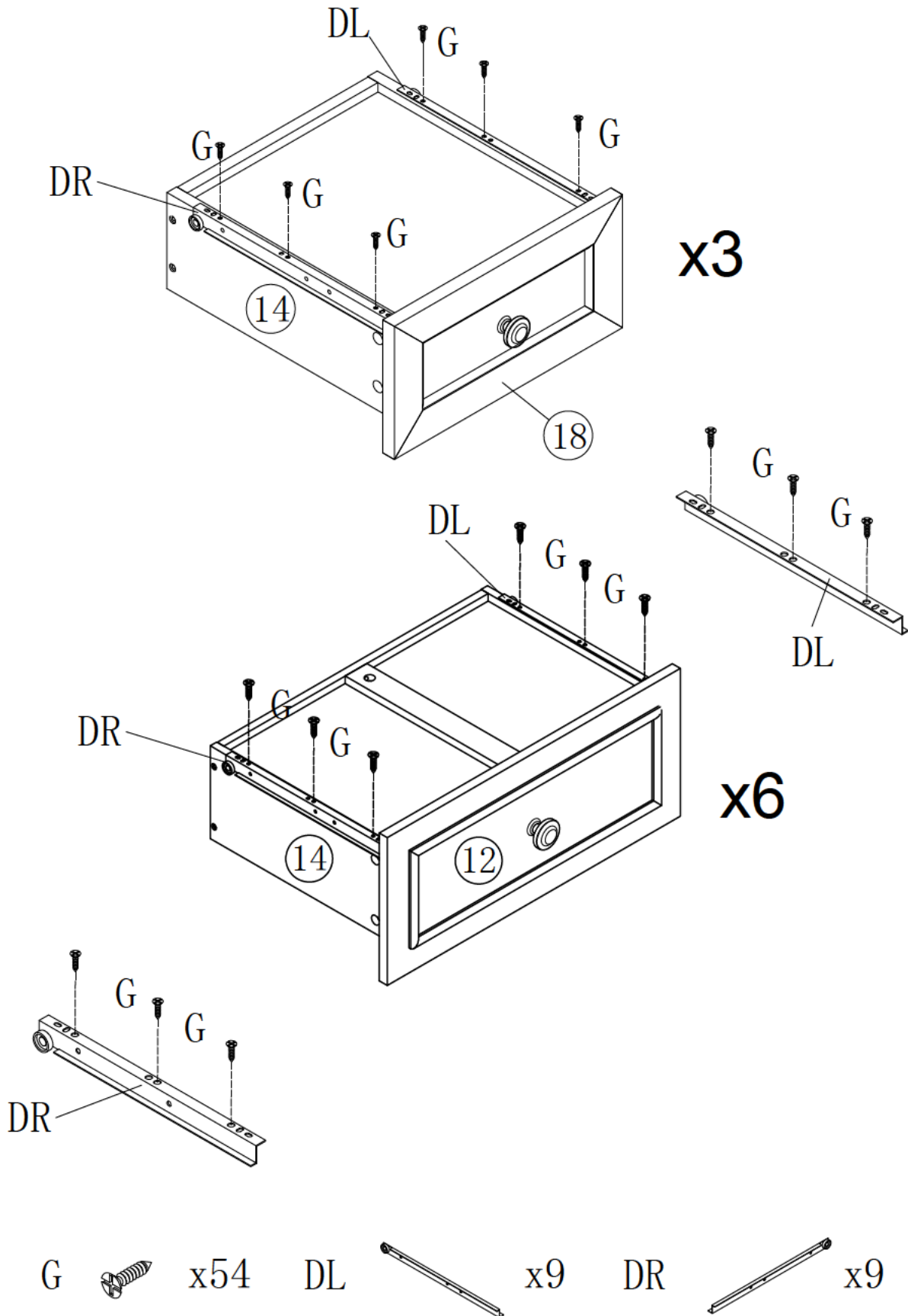
B  x6

Step 29

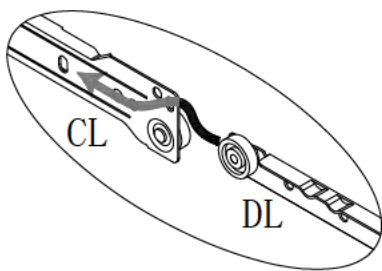
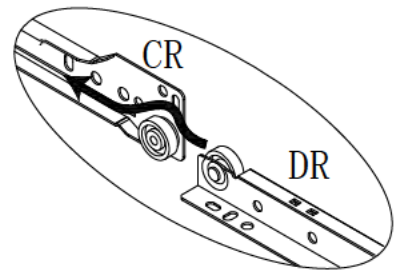
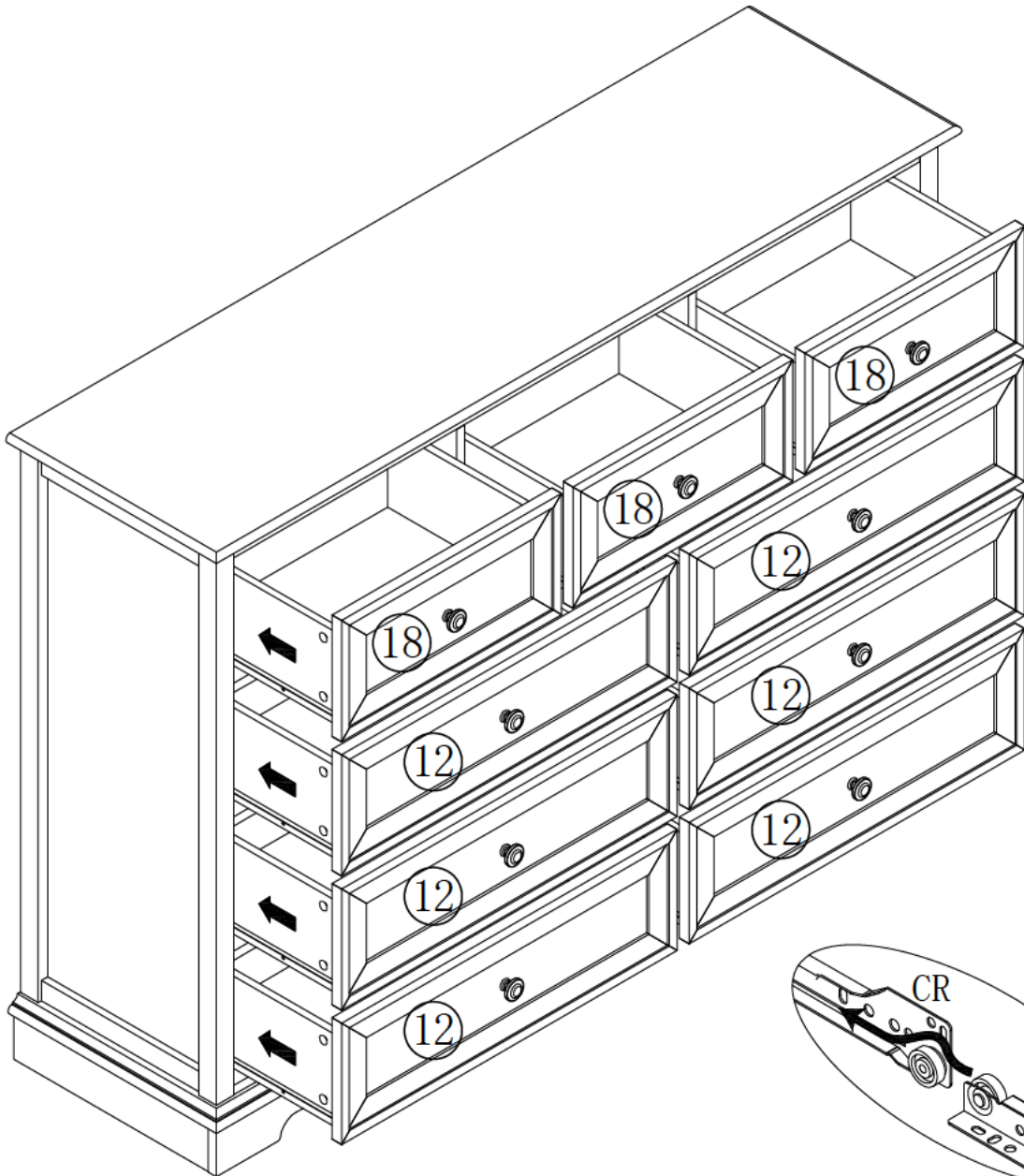


B  x42

Step 30



Step 31



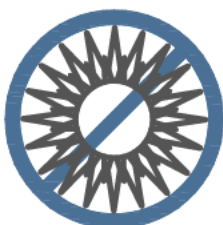
MAINTENANCE TIPS



Never let liquids or damp cloths sit on this furniture.



Never use chemical cleaning products, as they can damage the finish. For cleaning, use only a slightly damp cloth and wipe dry.



To avoid dulling of the finish, do not place furniture in direct sunlight.



Do not put plastic or rubber rings under appliances. Use cloth or felt protectors.



To clean, use a soft or slightly damp cloth, then wipe with a clean, dry cloth.

FURNITURE CARE AND MAINTENANCE

Medium-Density Fiberboard

Thank you for your purchase. We want your item to last as long as possible. To ensure that the product serves you well for years, please refer to this care and maintenance guide.



MAINTENANCE

- Tighten all bolts and screws again within the first 2 weeks of assembly.
- Check the tightness of all bolts every 2 months, tighten them if necessary.



CLEANING

- Clean the surface of the MDF (medium -density fiberboard) with a lightly dampened cloth.
- Small amount of mild soap can be used if necessary.
- Dry the surface immediately after cleaning.

⚠ DO NOT use bleach or alcohol detergent to clean the surface.

⚠ DO NOT apply wood treatment on parts made with MDF.

Medium-density fiberboard will swell and distort when subjected to water damage. Make sure to dry the furniture immediately after cleaning

⚠ WARNING

The manufacturer and seller expressly disclaim any and all liability for personal injury, property damage, or losses, whether direct, indirect, or incidental, resulting from the incorrect attachment, improper use, inadequate maintenance, unauthorized modification, or neglect of this product.

Warranty

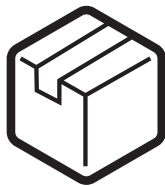
Our products come with 30 days warranty from the date of purchase. In any event that the product arrives damaged or missing parts, we are more than happy to provide you with replacement part(s). **Register your product on our website to enjoy extended warranty!!**

Easy Return

We work hard to make sure that order arrives safely and securely. But rest assured, we will take care of it if it is not up to standard. If you need replacement parts, please contact us, and we will send you replacements with no hassle



Contact Us



Replacement



You