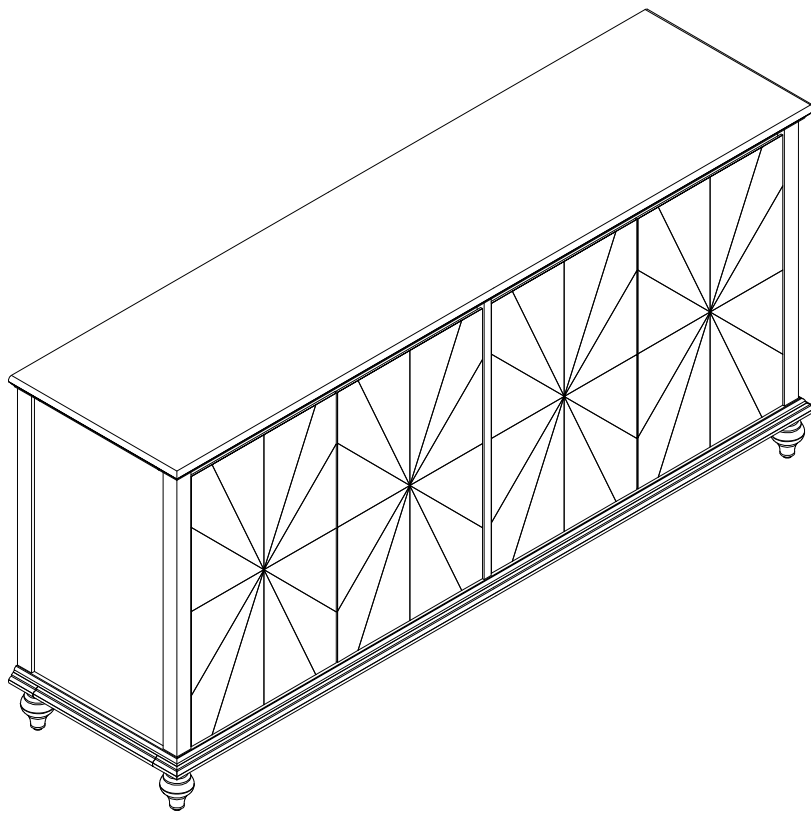




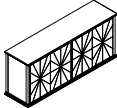

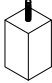
MILA SIDEBOARD

MILA




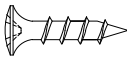
ASSEMBLY INSTRUCTIONS



PARTS LIST

Label	Picture	Description	Qty
A		Cabinet	1
B		Legs	4
C		Middle Leg	1

HARDWARE

Label	Picture	Description	Qty
D		Anti-tip Kit	2
E		Plastics Wall Anchors	4
F		M4x25 Screws	4
G		M4x15 Pan Head Screws	4

BEFORE BEGINNING ASSEMBLY



Read instructions cover to cover



Have two adults on hand for assembly



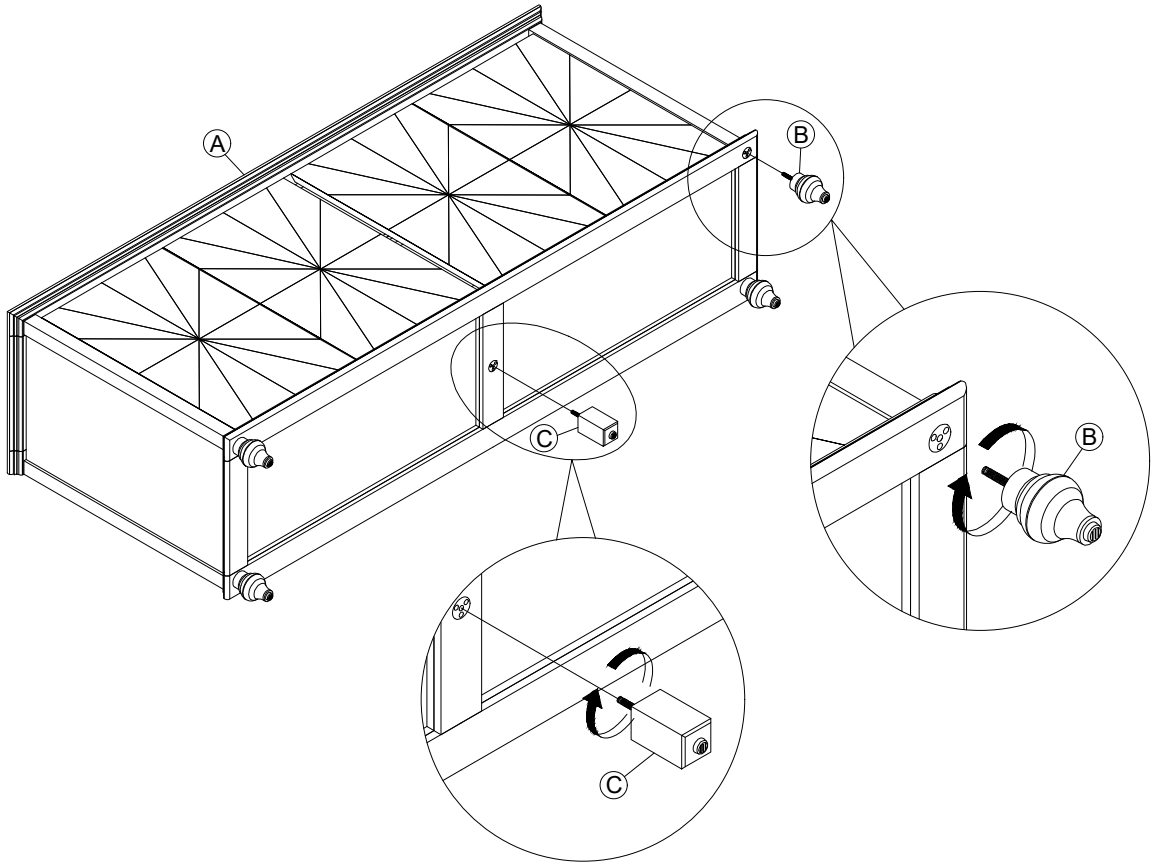
Do NOT assemble on flooring or carpet. Assemble on a clean non-marring surface (ex: packing foam)



Save all packaging until assembly is completed

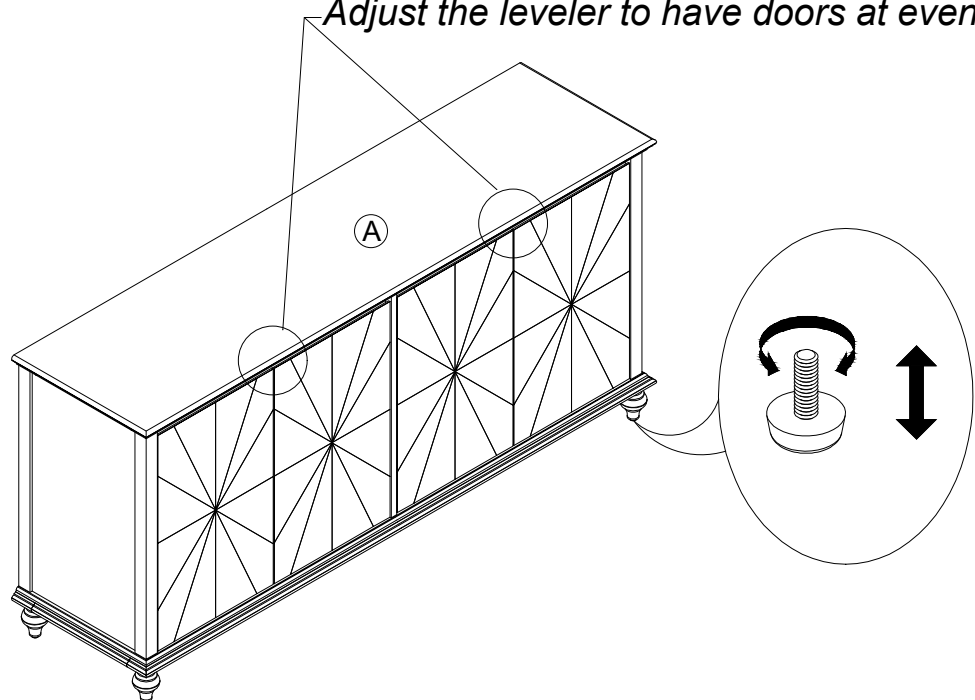
ASSEMBLY STEPS

STEP 1



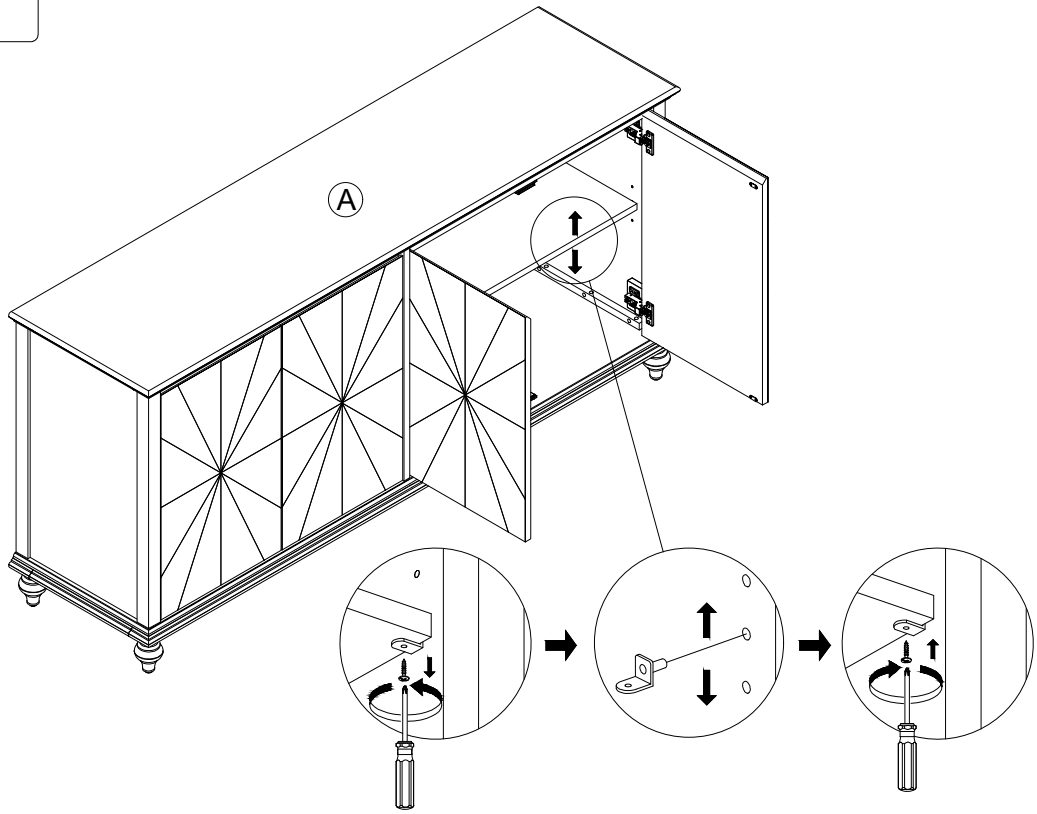
STEP 2

Adjust the leveler to have doors at even level

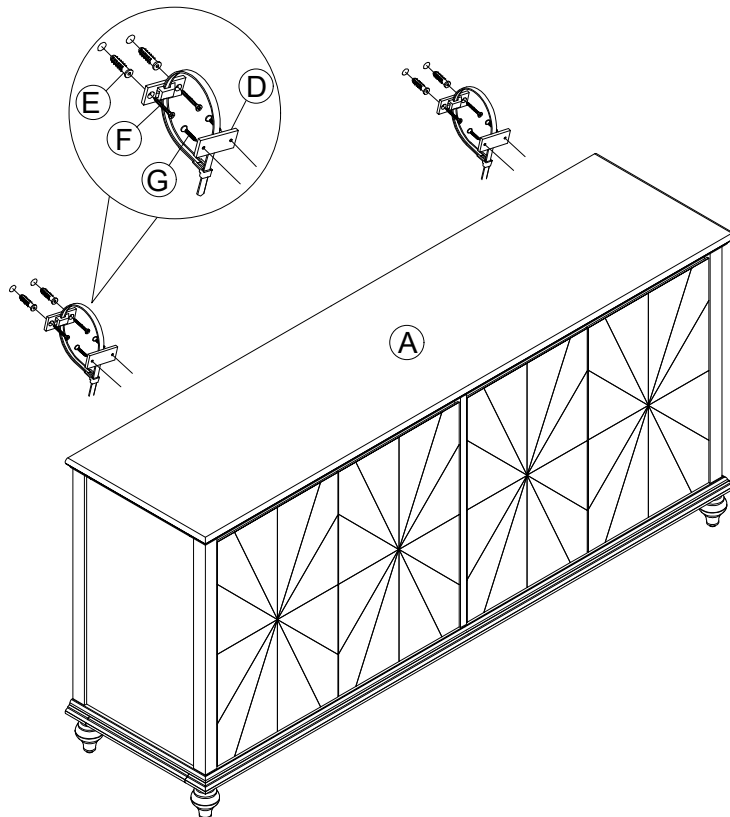


ASSEMBLY STEPS

STEP 3



FINISH



CARE & MAINTENANCE



Do not put hot items directly on furniture surface.



Do not clean furniture with harsh cleansers or polish



Dust and wipe up spills using a clean, non-colored, lint-free cloth.



Stains may be removed with a mild soap solution and a damp cloth.



Do not place furniture under direct sunlight.



Do not place furniture near heating or cooling vents.



Do not write on furniture without a padded barrier to protect the surface.



Do not place furniture outside, for indoor use only.