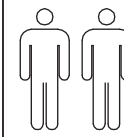
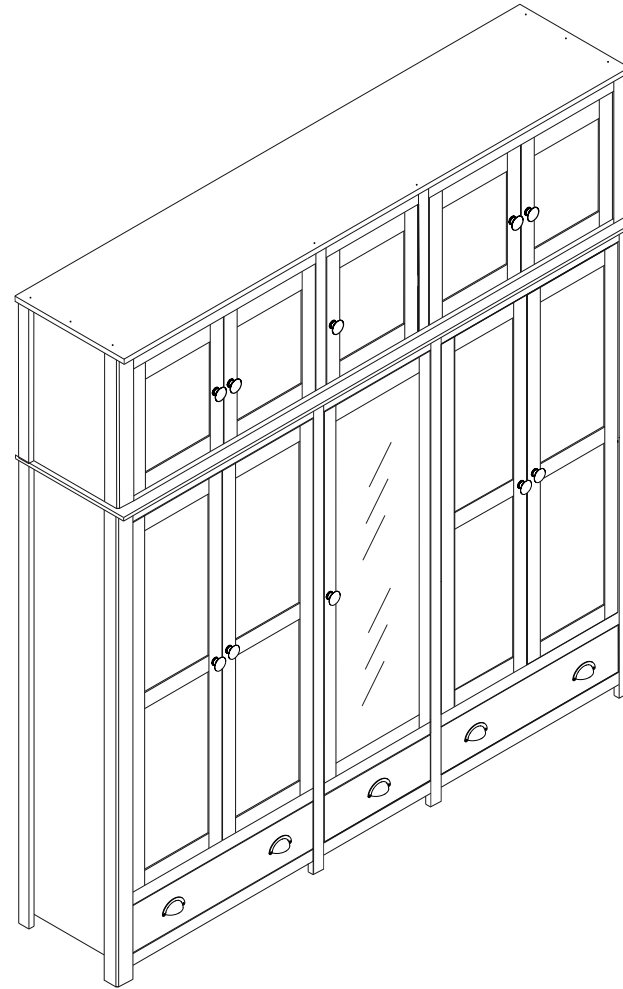
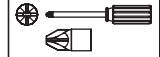


# ASSEMBLY INSTRUCTION

## WARDROBE 10 DOORS 3 DRAWER

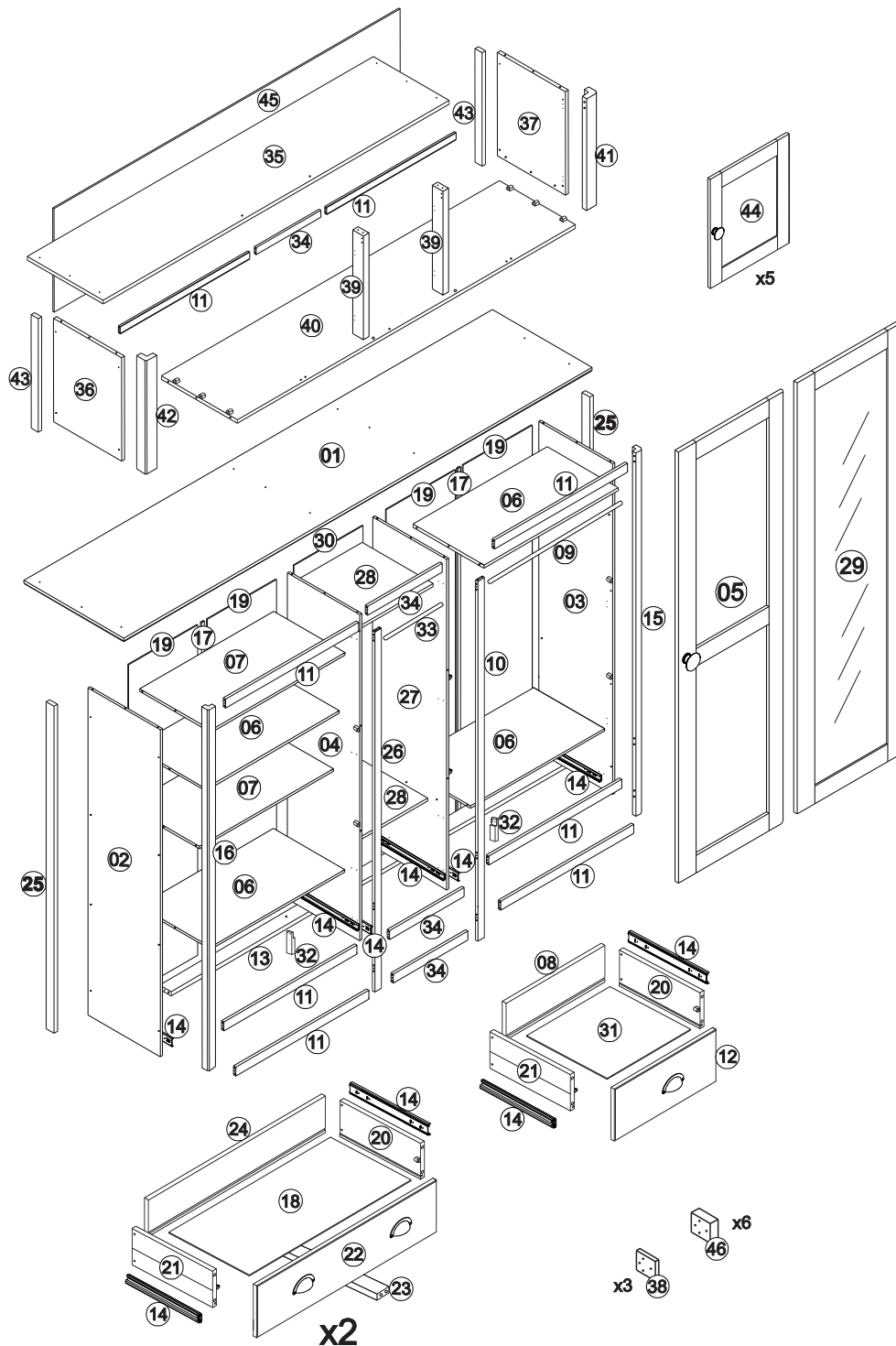


3:30min



V.:01

<b>A</b>		<b>B</b>		<b>C</b>		<b>D</b>		<b>E</b>		<b>F</b>		<b>G</b>		<b>H</b>		<b>I</b>		<b>J</b>		<b>L</b>					
<b>M</b>		<b>N</b>		<b>O</b>		<b>P</b>		<b>Q</b>		<b>R</b>		<b>S</b>		<b>T</b>		<b>U</b>		<b>V</b>		<b>W</b>		<b>X</b>		<b>Y</b>	

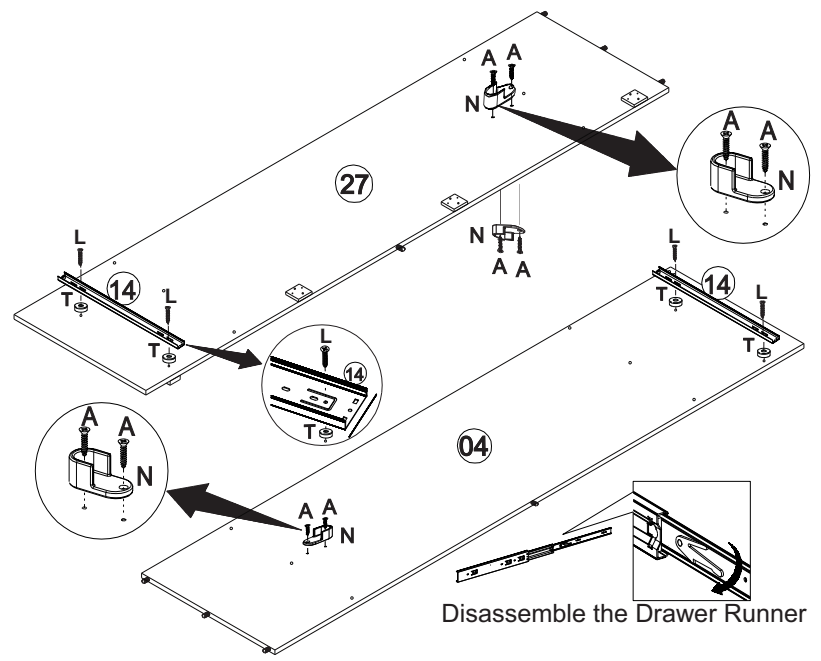


## PARTS LIST

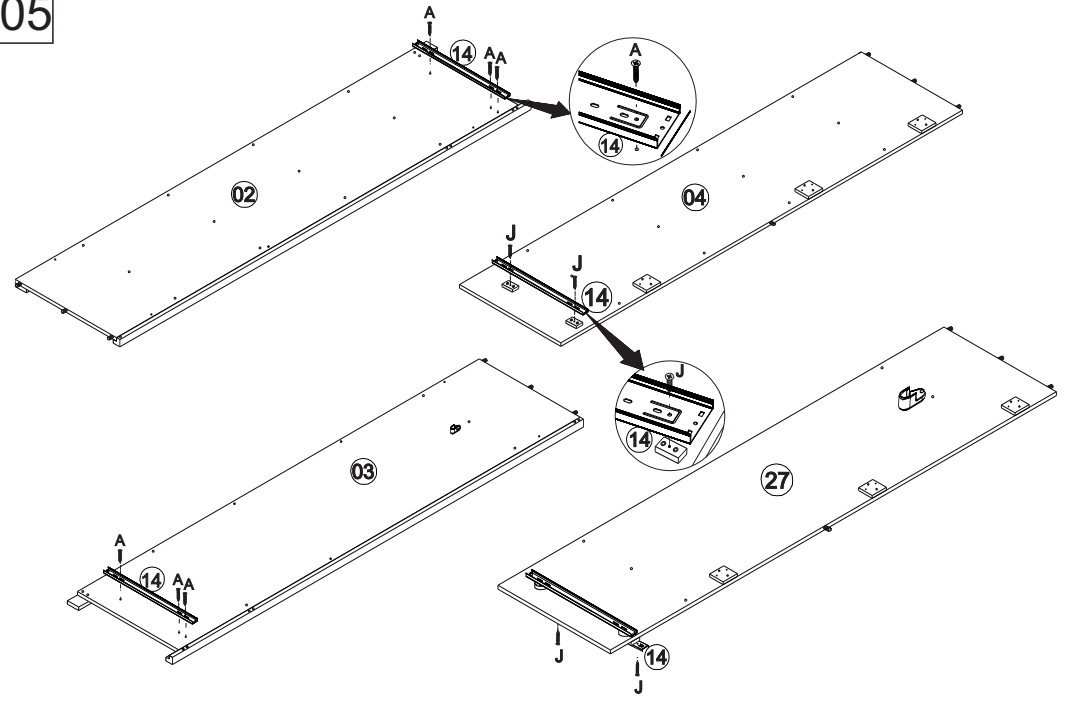
	<b>QT.</b>
1- TOP	01
2- LEFT SIDE	01
3- RIGHT SIDE	01
4- LEFT DIVISION	01
5- DOORS	04
6- FIXED SHELF	04
7- SHELVES	02
8- DRAWER SMALLER BACK	01
9- CLOTHES RACK	01
10- RIGHT FRONT CROSSBEAM	01
11- HORIZONTAL FRONT CROSSBEAM	08
12- DRAWER SMALLER FRONT	01
13- BACK BOTTOM CROSSBEAM	01
14- DRAWER RUNNER	06
15- RIGHT FRONT FOOT	01
16- LEFT FRONT FOOT	01
17- BACK STRUT	02
18- DRAWER BASE	02
19- BACK PANEL	04
20- DRAWER RIGHT SIDE	03
21- DRAWER LEFT SIDE	03
22- DRAWER FRONT	02
23- DRAWER SUPPORT	02
24- DRAWER BACK	02
25- BACK FEET	02
26- LEFT FRONT CENTER CROSSBEAM	01
27- RIGHT DIVISION	01
28- SMALLER SHELF	02
29- DOOR WITH MIRROR	01
30- BACK CENTER PANEL	01
31- DRAWER SMALLER BASE	01
32- CENTER FEET	02
33- CLOTHES RACK	01
34- CENTER FRONT CROSSBEAM	04
35- MALEIRO TOP	01
36- LEFT SIDE MALEIRO	01
37- RIGHT SIDE MALEIRO	01
38- HINGE SUPPORT 15mm	03
39- VERTICAL CROSSBEAM	02
40- BASE	01
41- RIGHT FRONT FOOT	01
42- LEFT FRONT FOOT	01
43- BACK FOOT	02
44- DOORS	05
45- BACK PANEL	01
46-HINGE SUPPORT 15mm	06



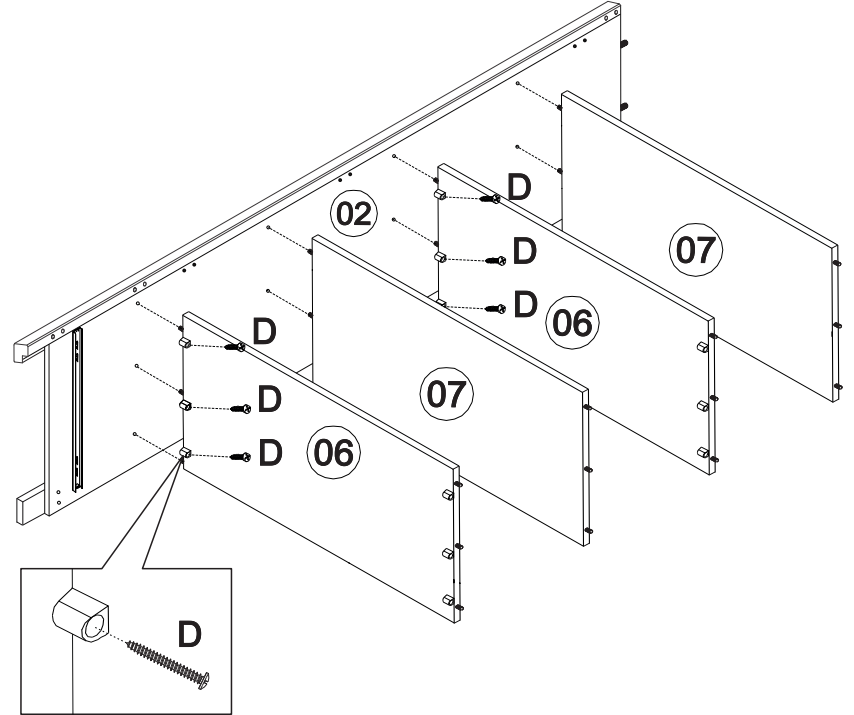
04



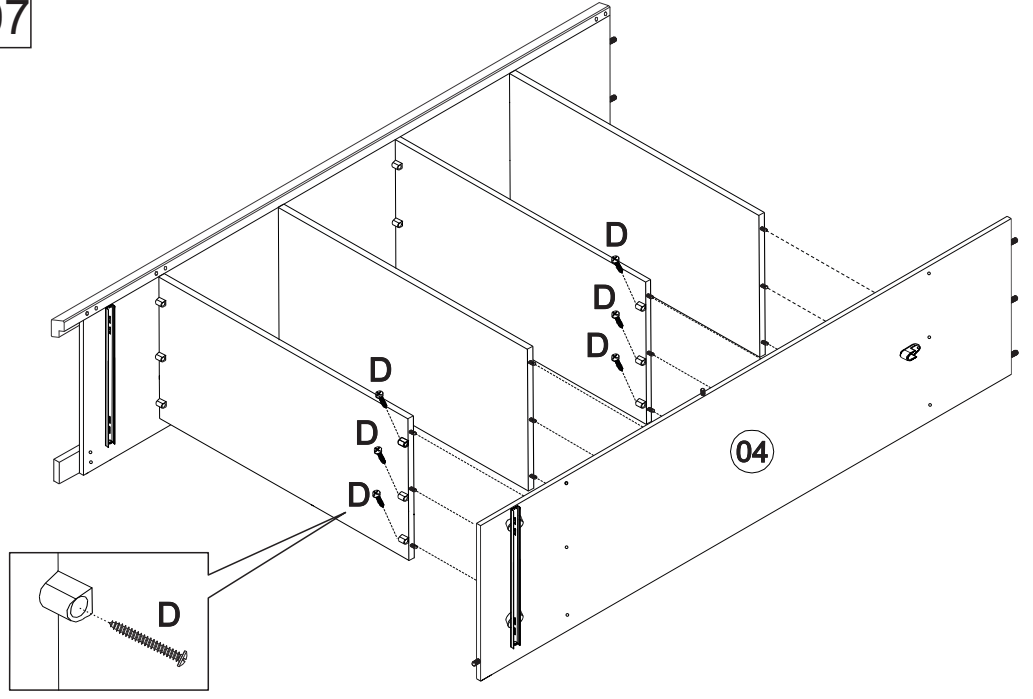
05



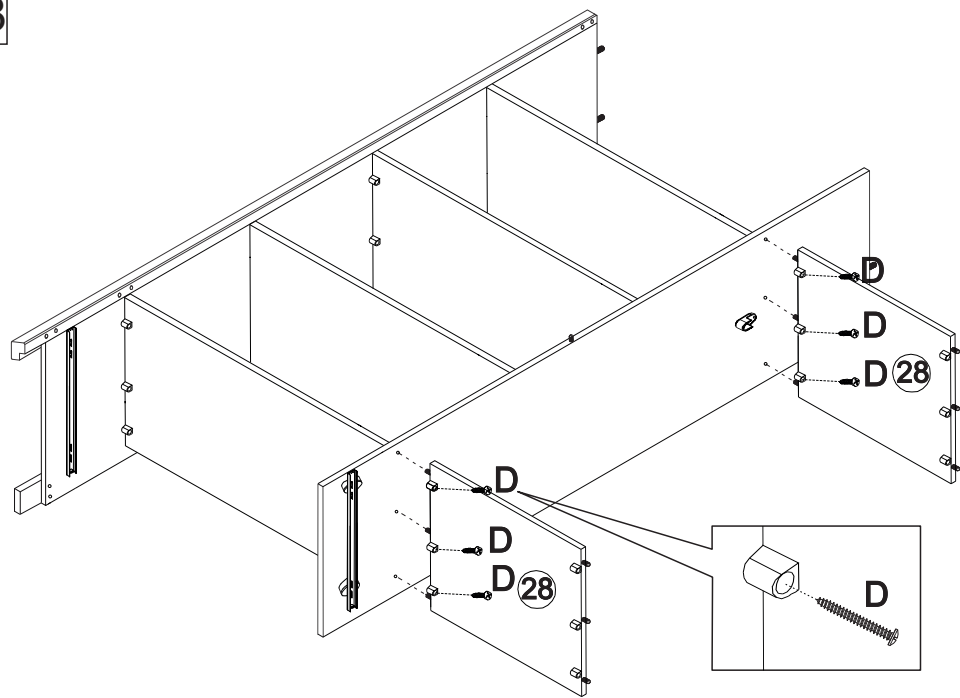
06



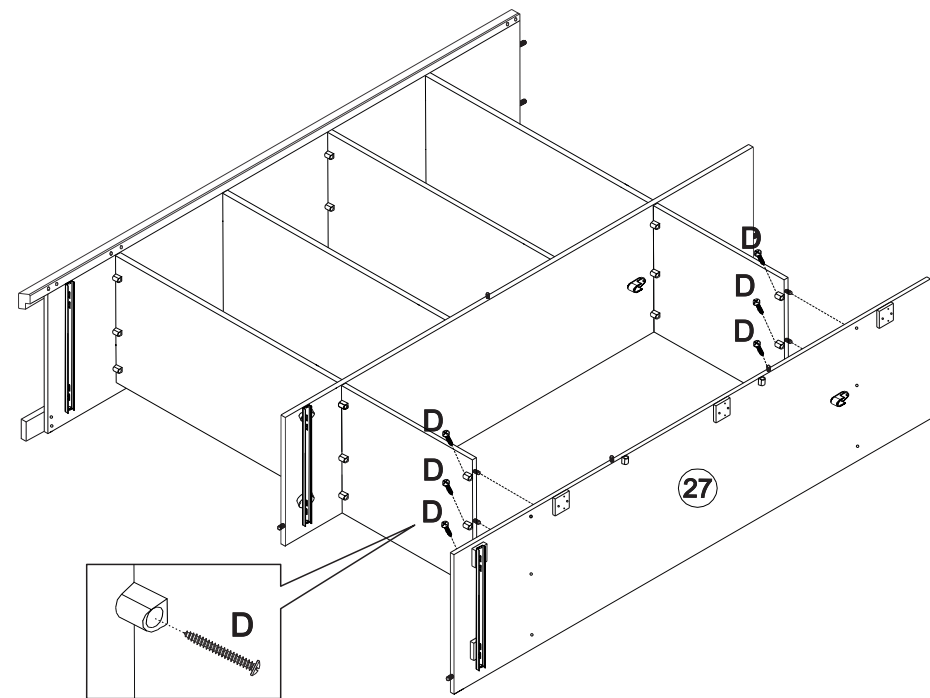
07



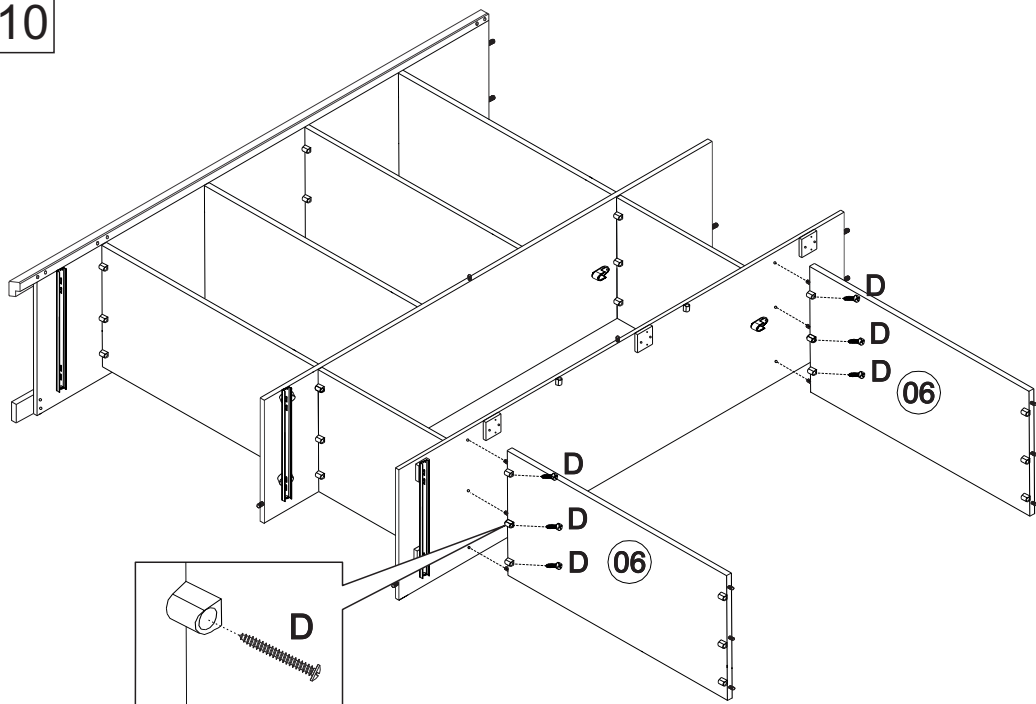
08



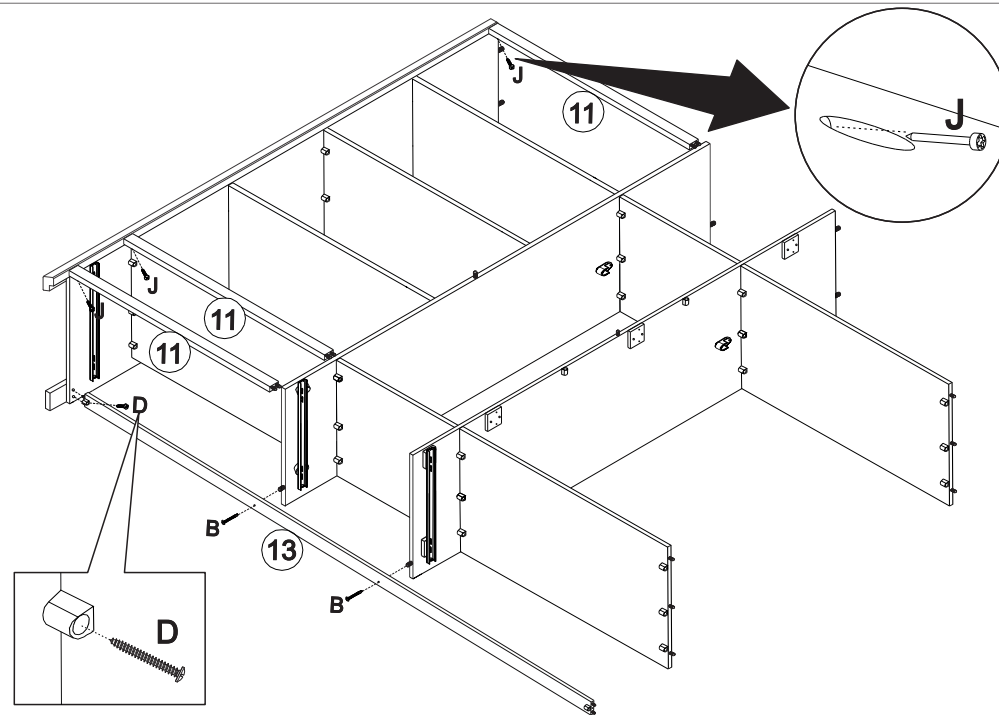
09



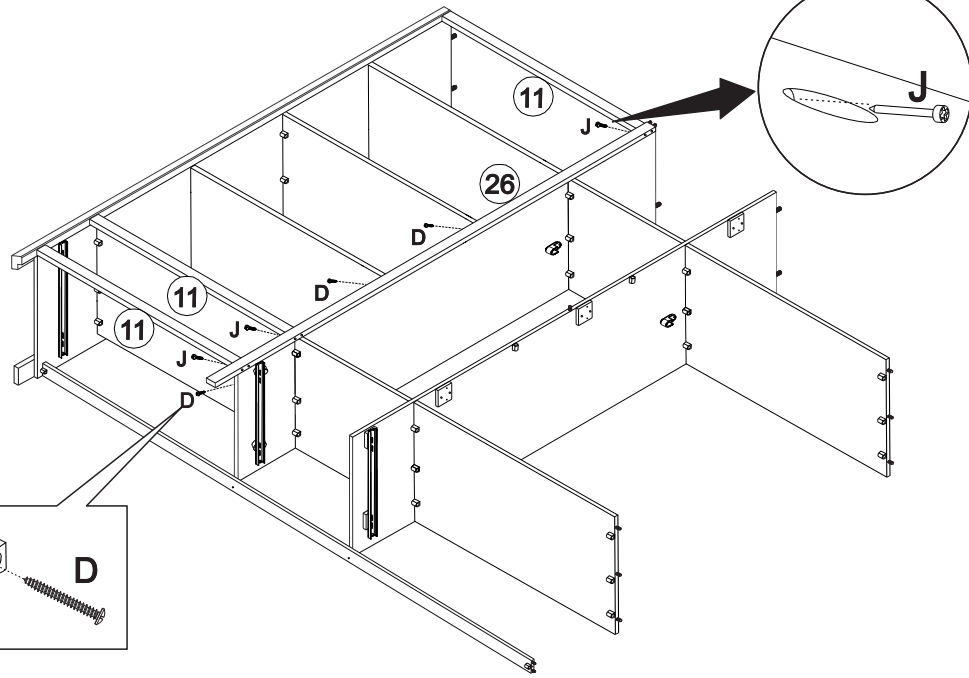
10



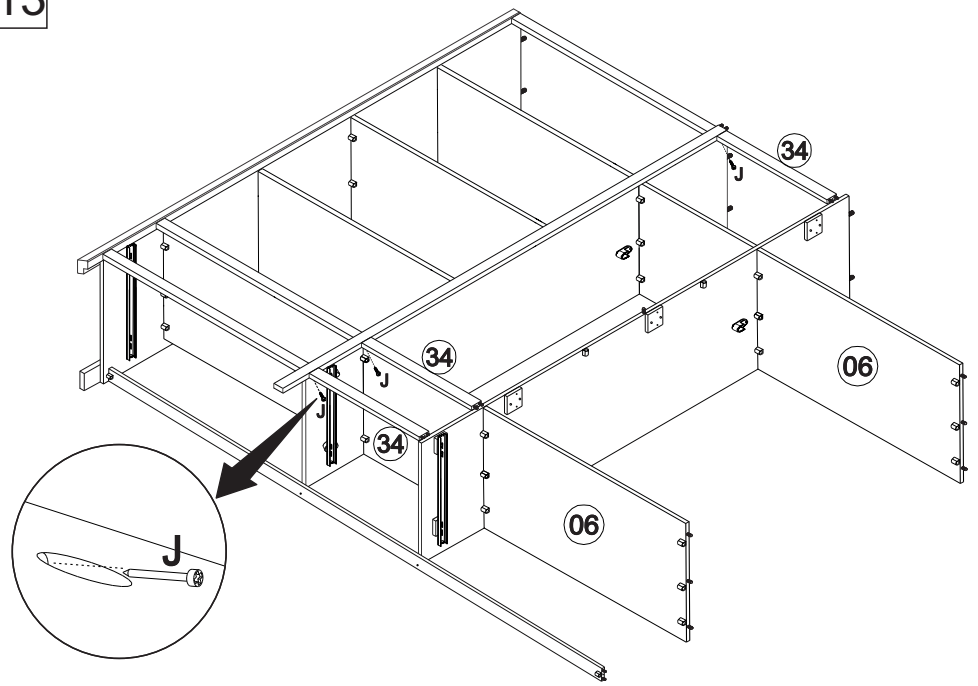
11



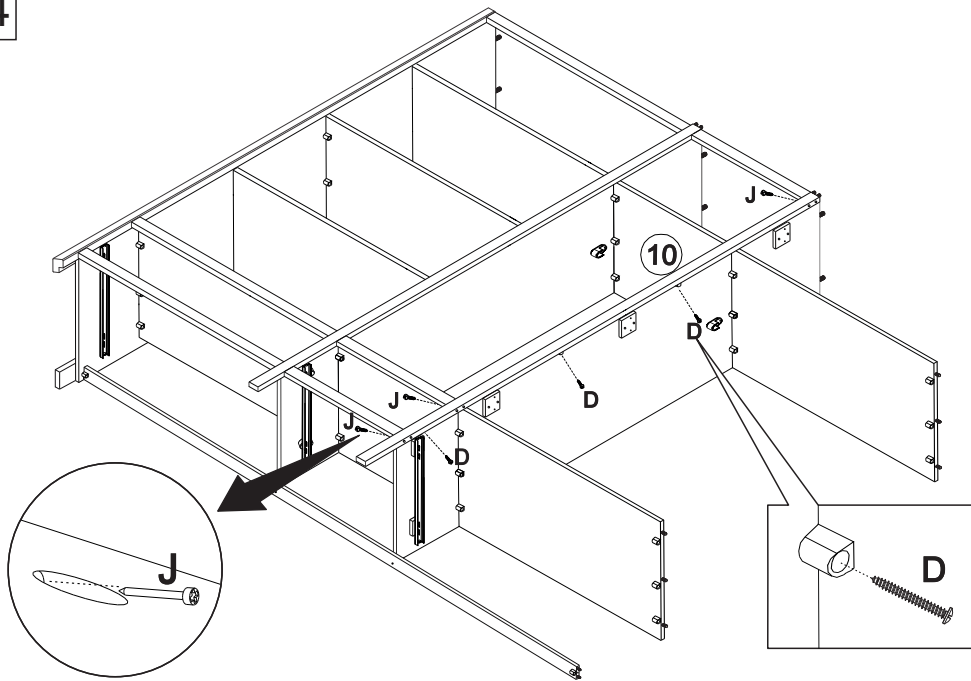
12



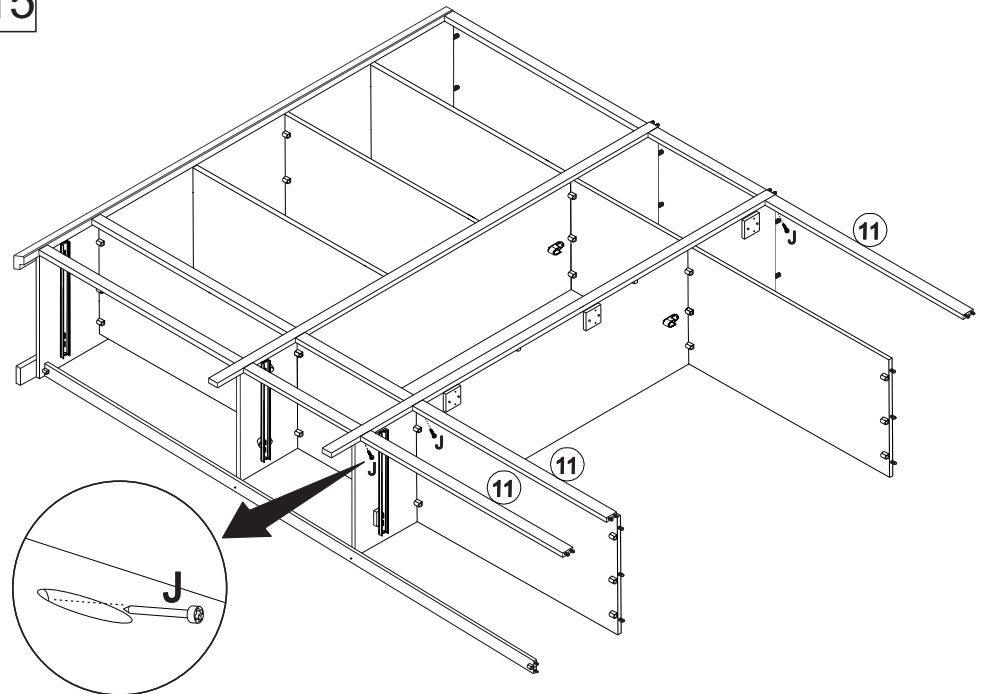
13



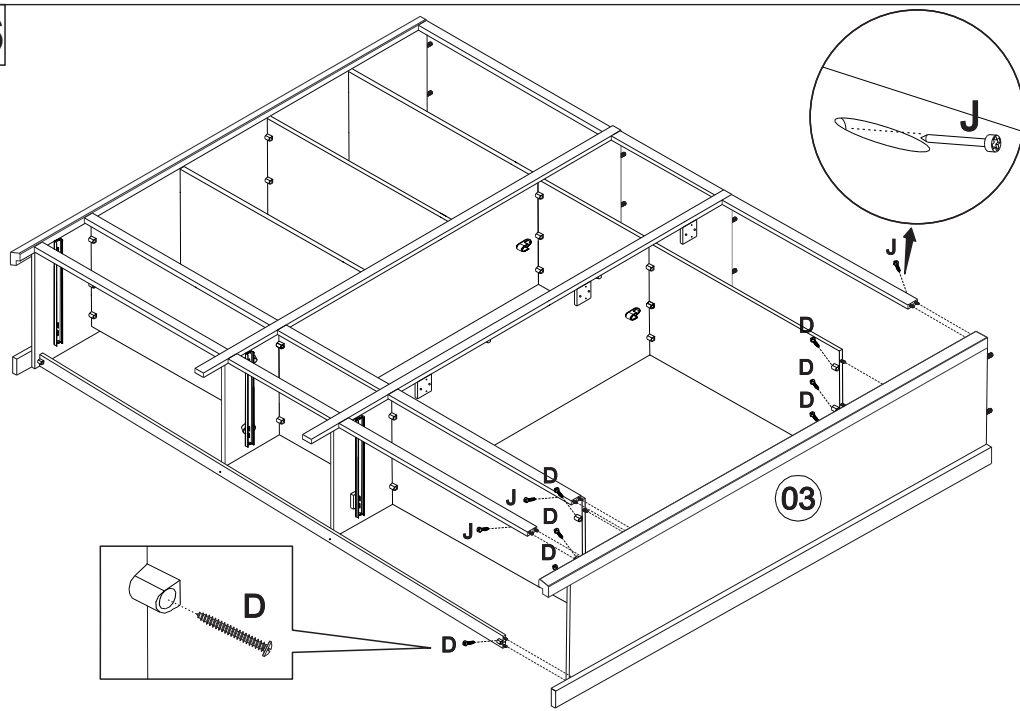
14



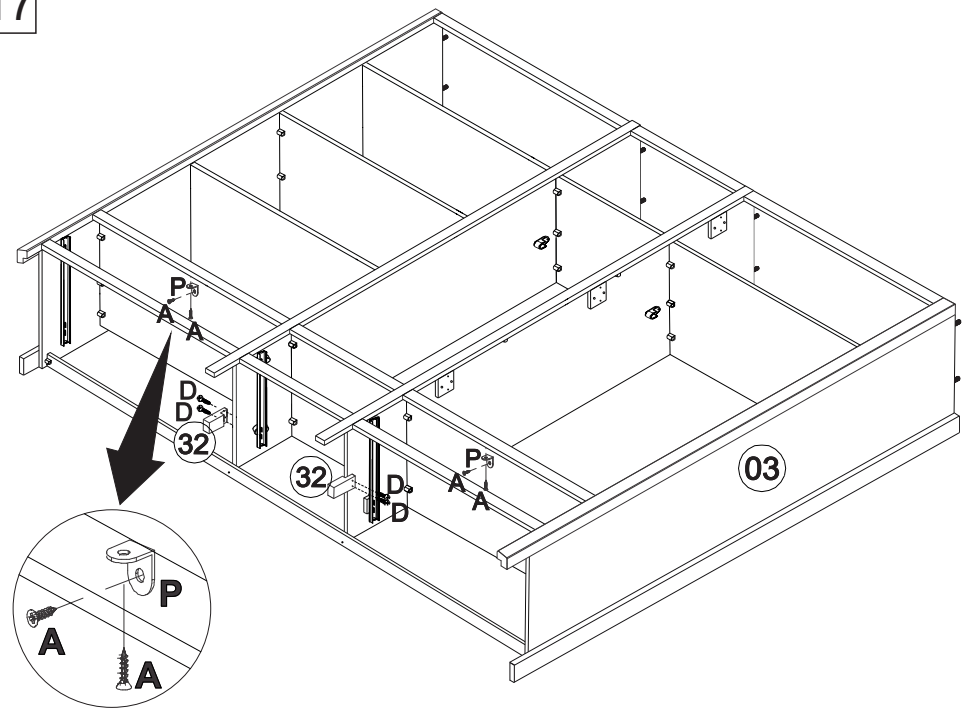
15



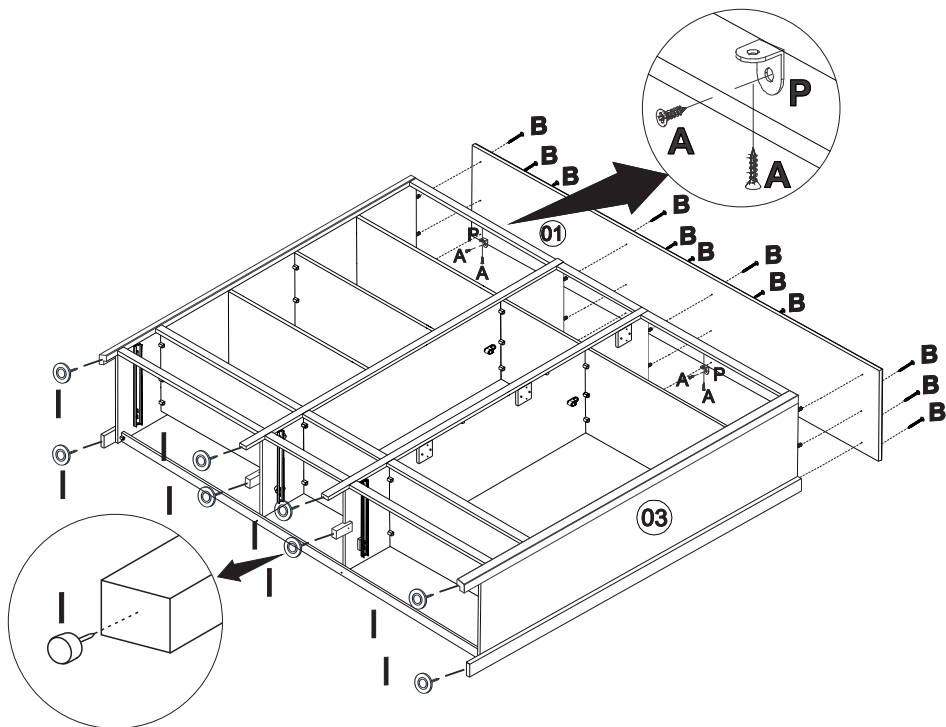
16



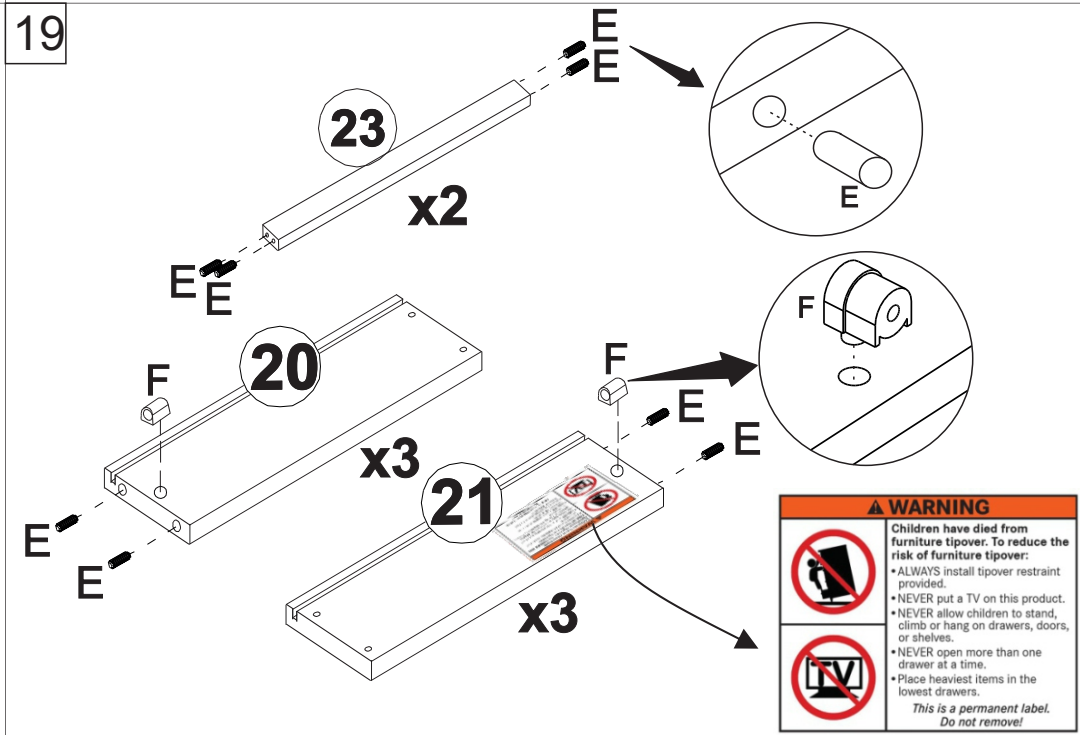
17



18



19



**⚠ WARNING**

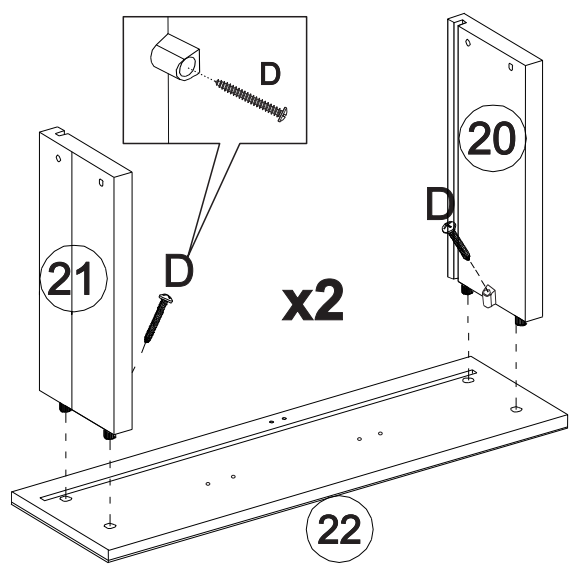
Children have died from furniture tipover. To reduce the risk of furniture tipover:

- ALWAYS install tipover restraint provided.
- NEVER put a TV on this product.
- NEVER allow children to stand, climb or hang on drawers, doors, or shelves.
- NEVER open more than one drawer at a time.
- Place heaviest items in the lowest drawers.

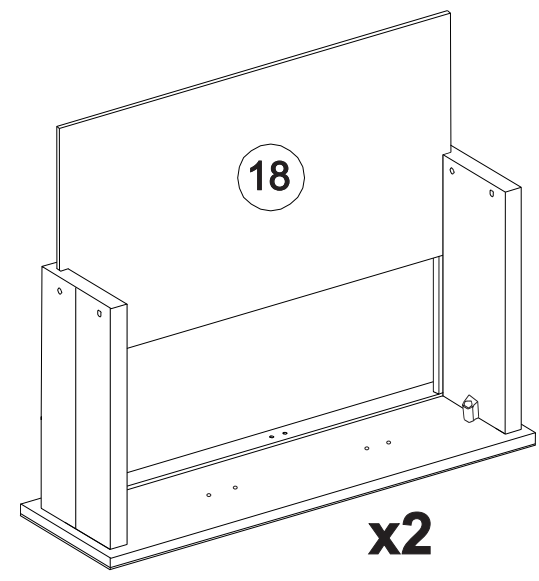
**TV**

*This is a permanent label. Do not remove!*

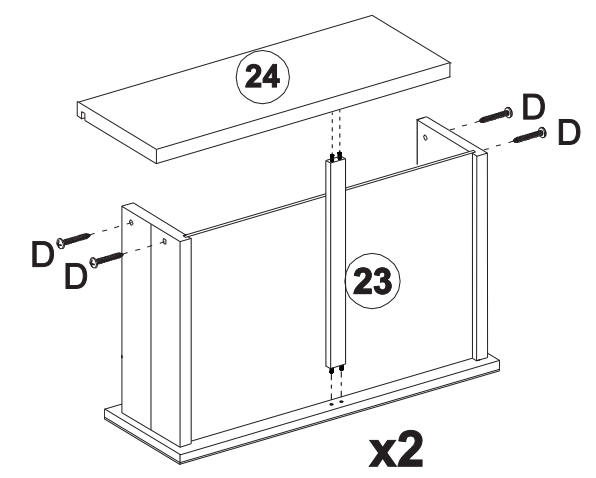
20



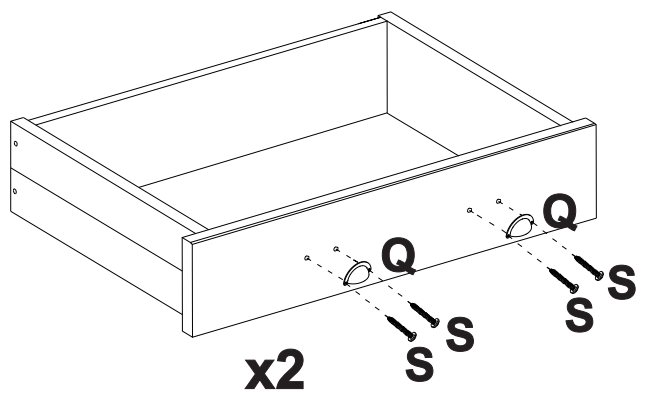
21



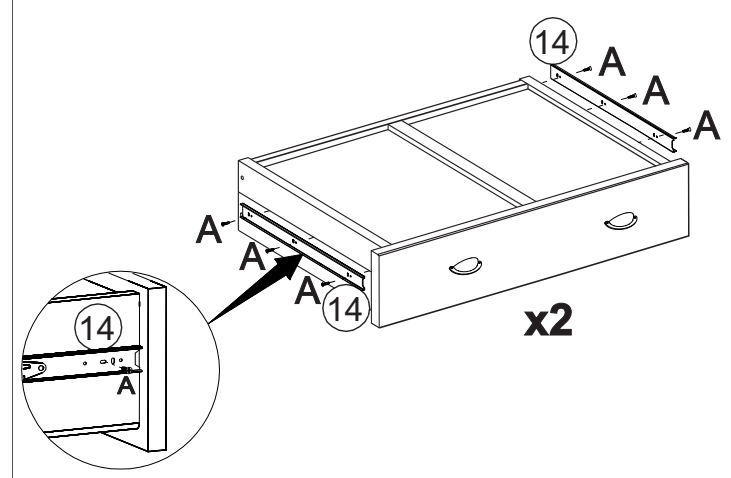
22



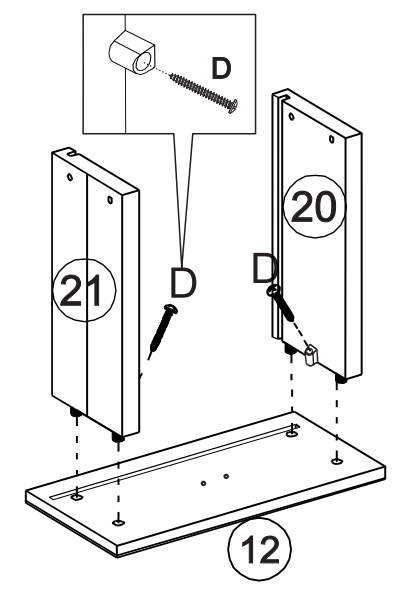
23



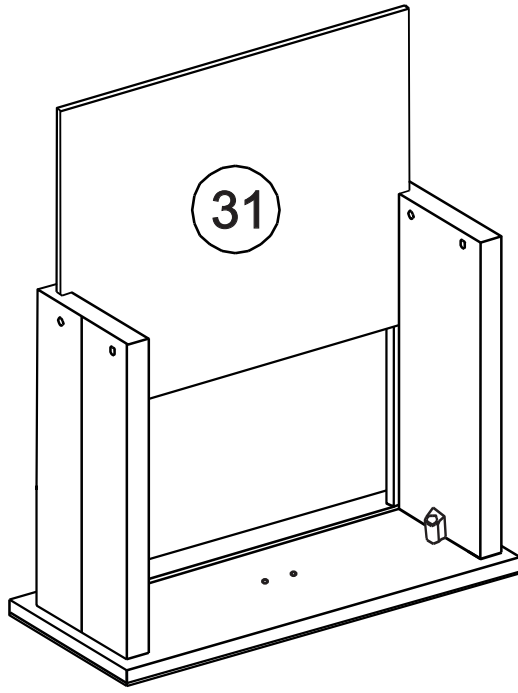
24



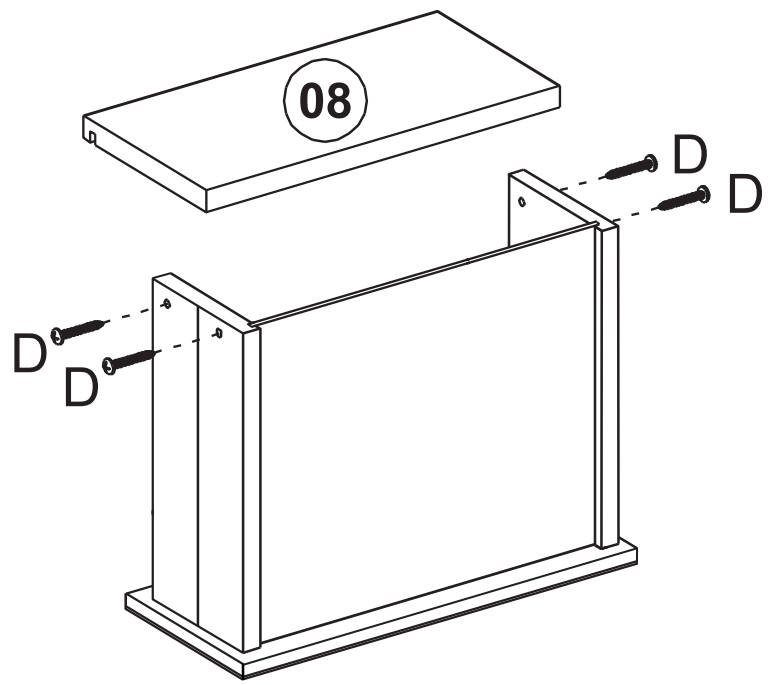
25



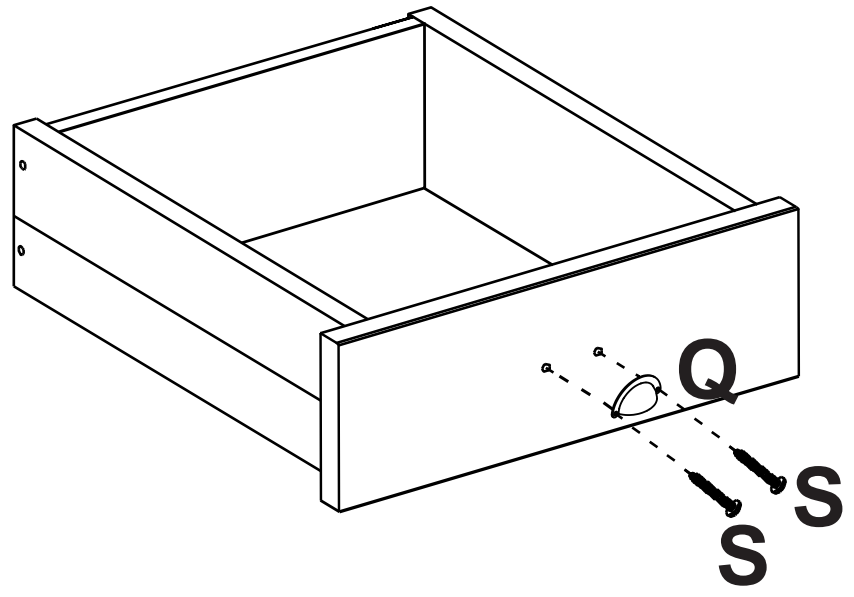
26



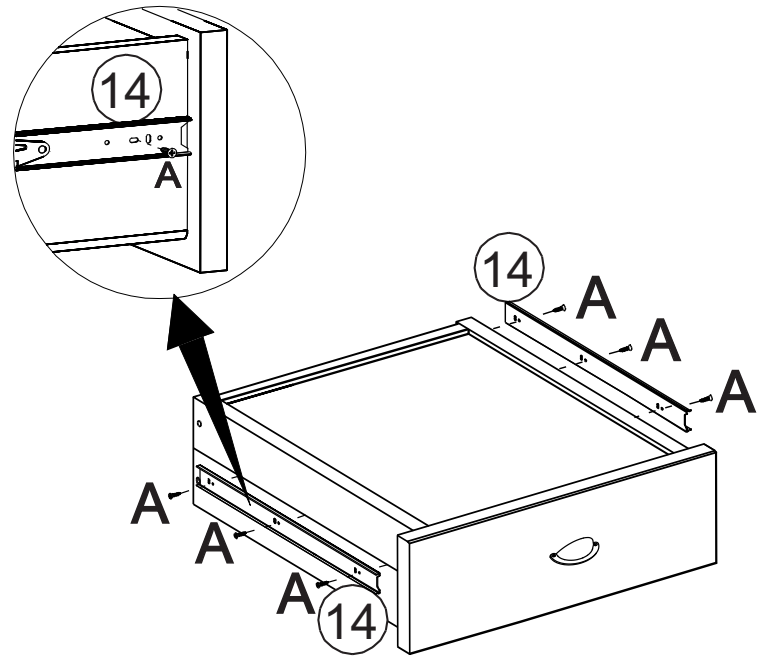
27



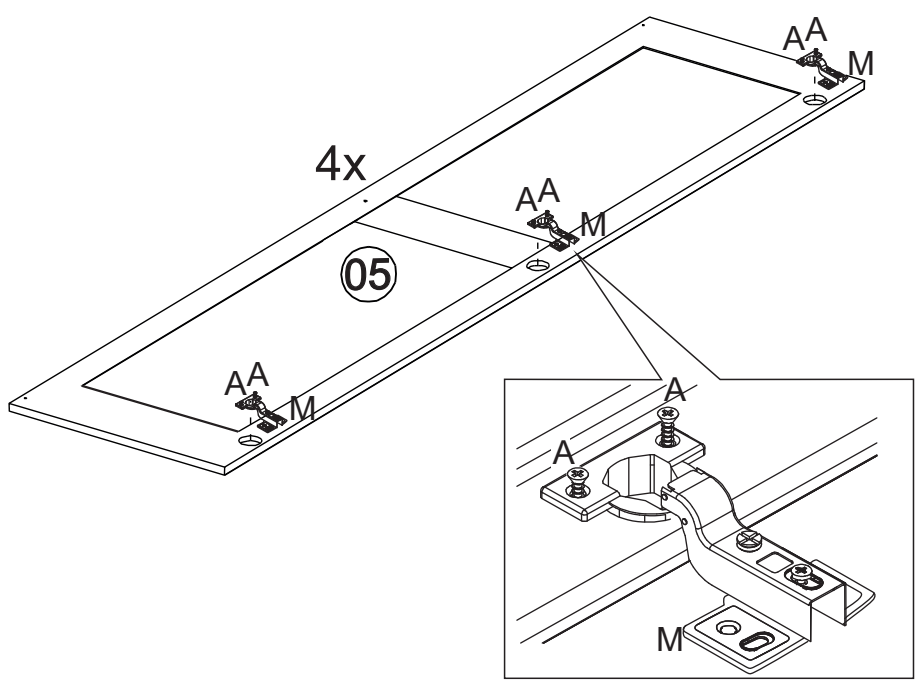
28



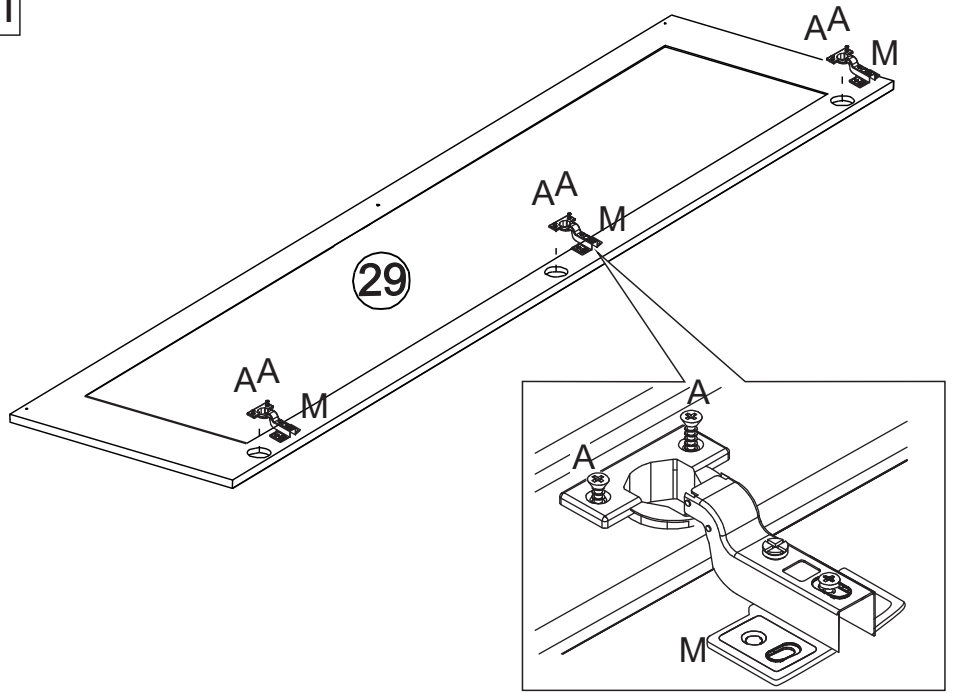
29



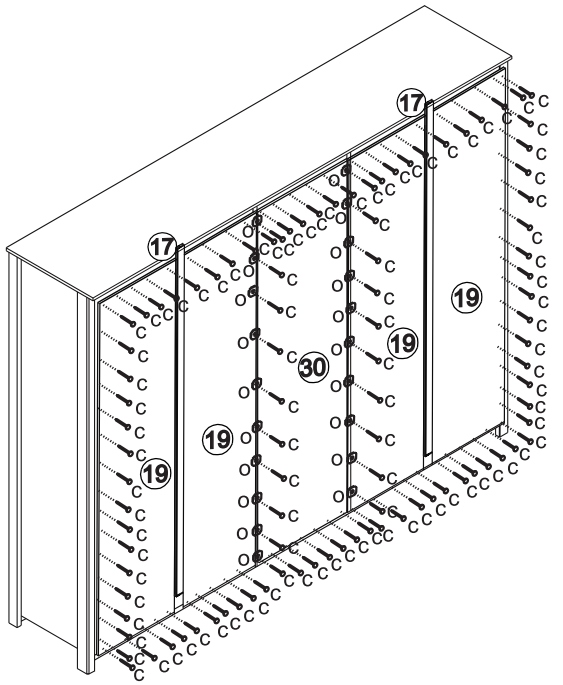
30



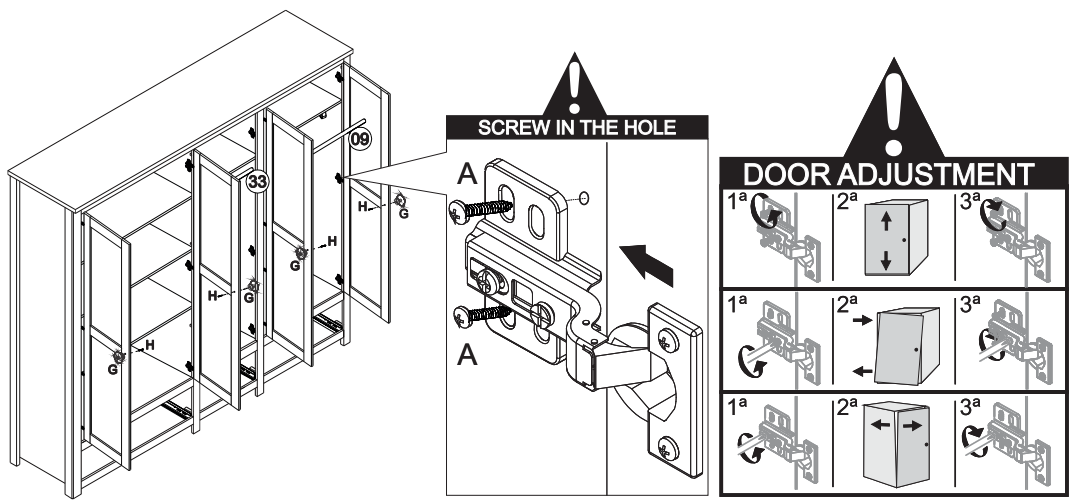
31



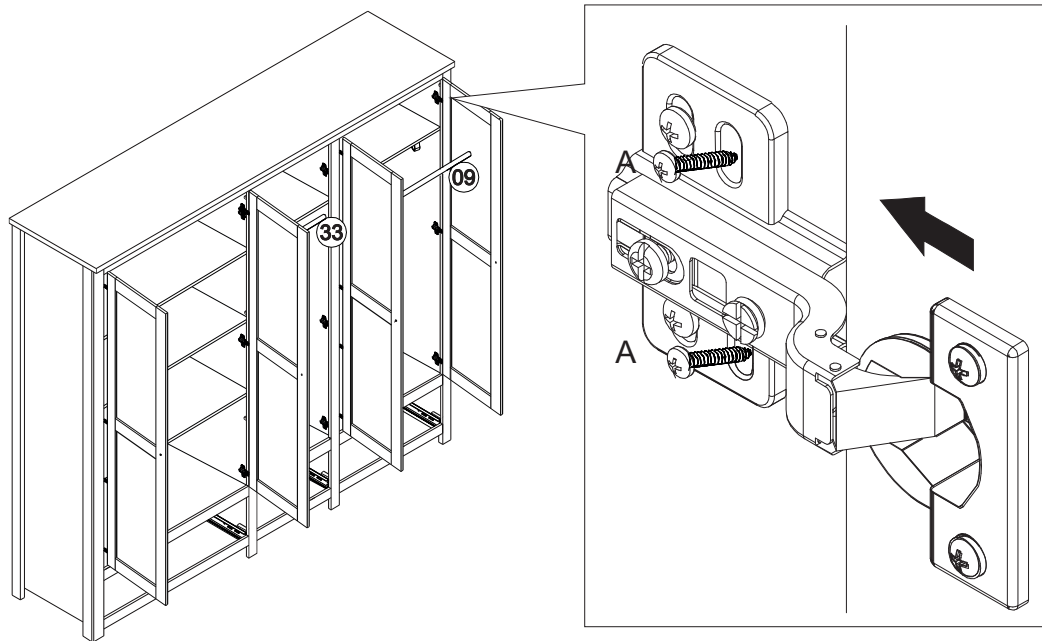
32



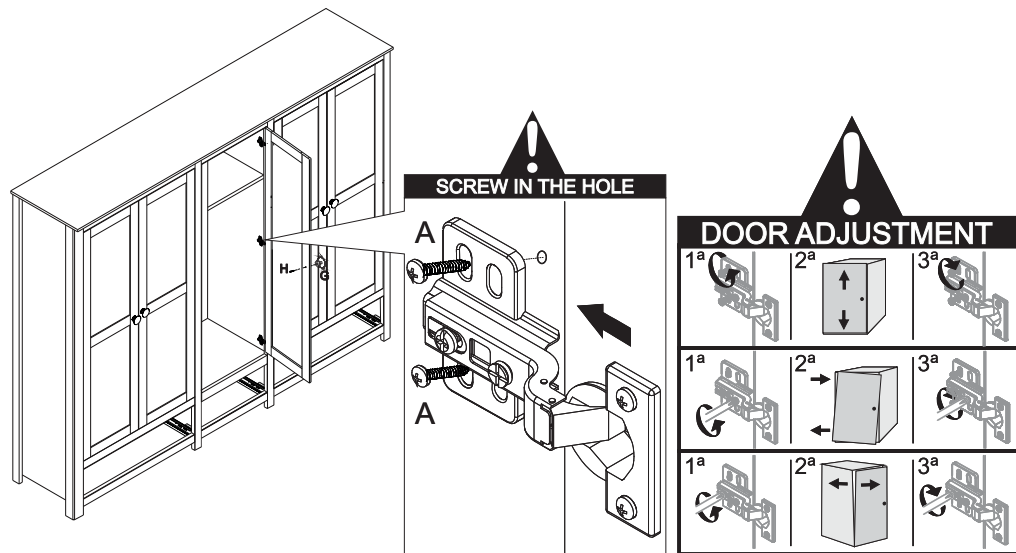
33



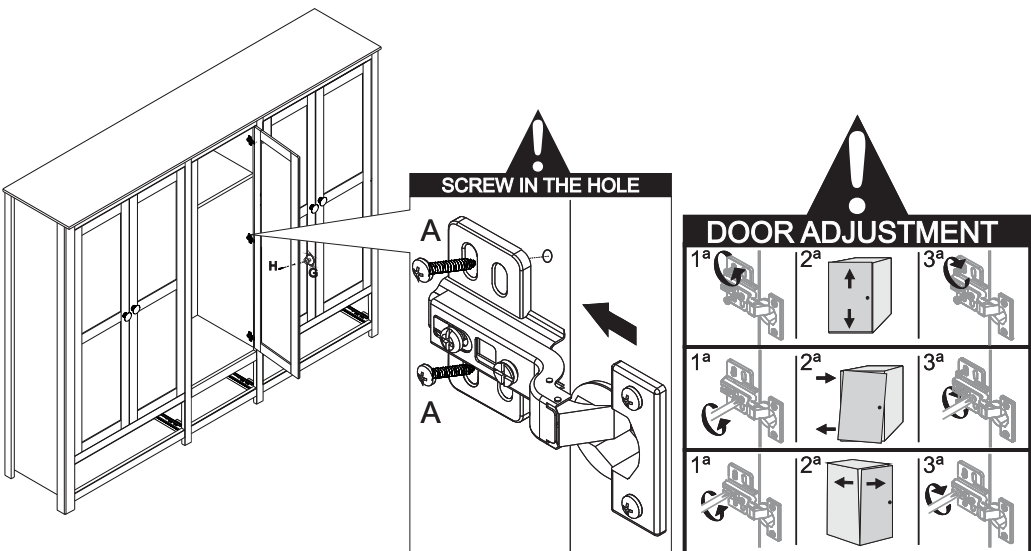
34



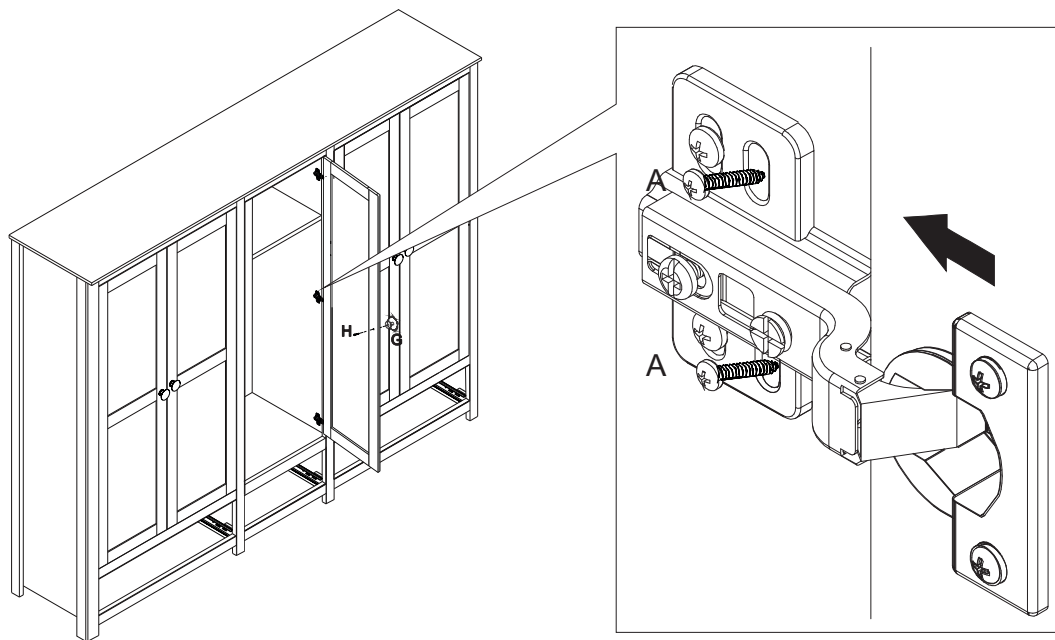
35



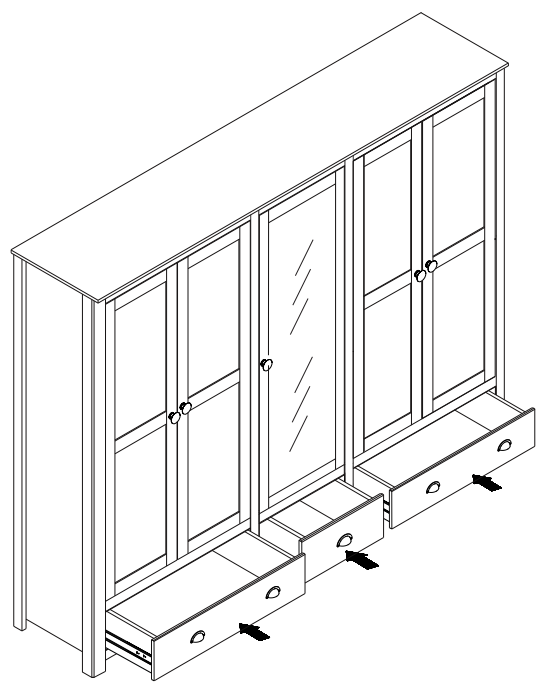
36



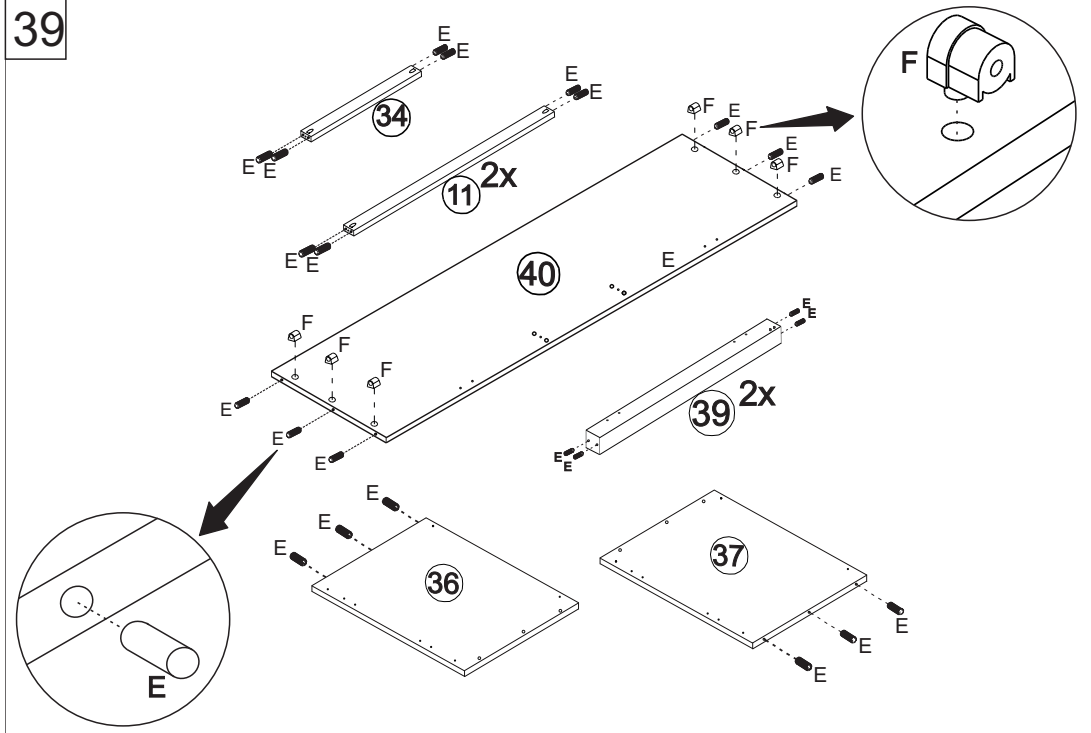
37



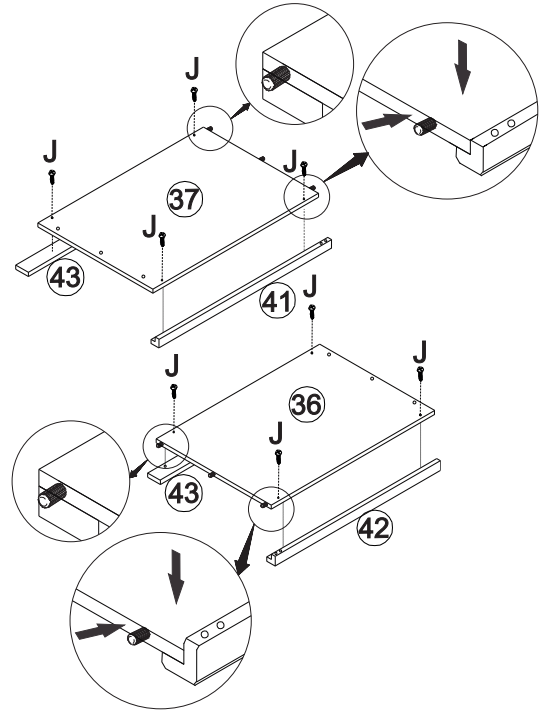
38



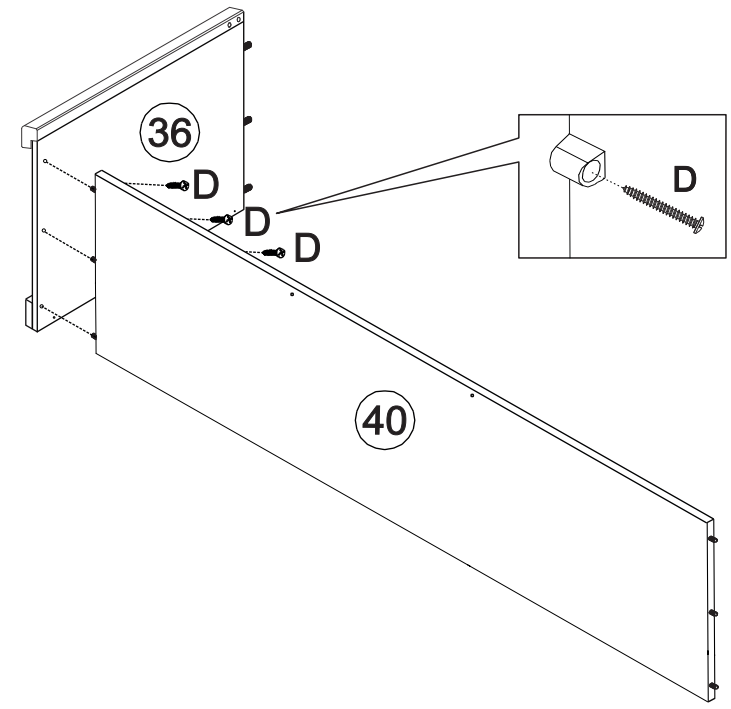
39



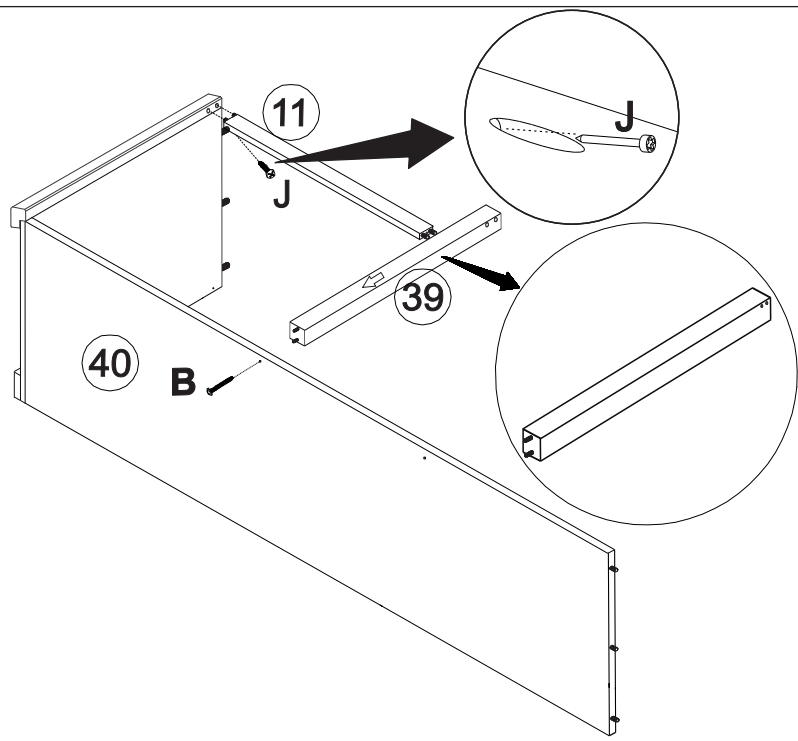
40



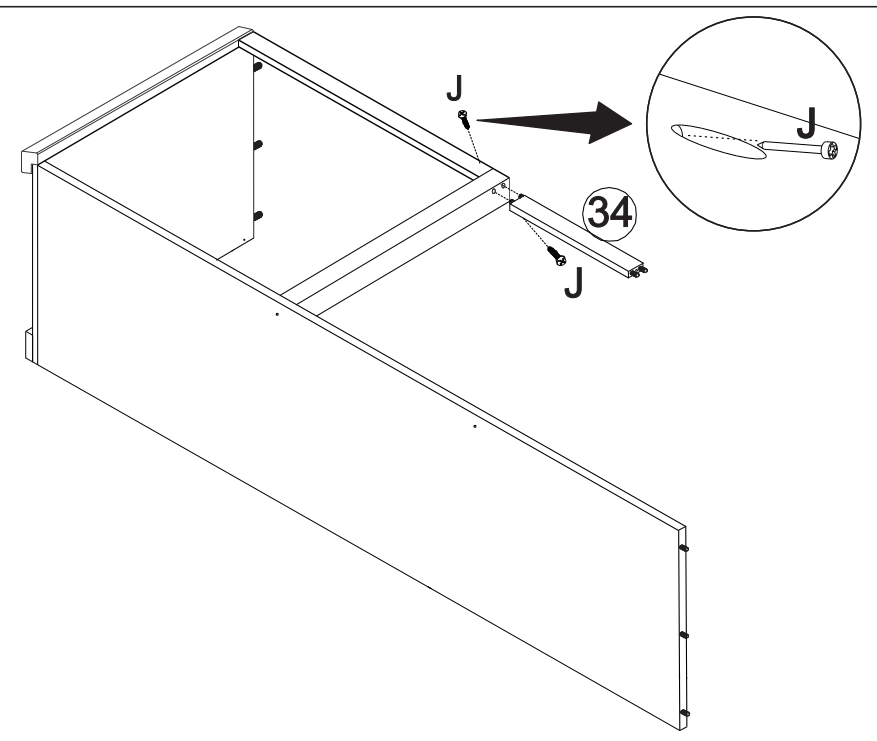
41



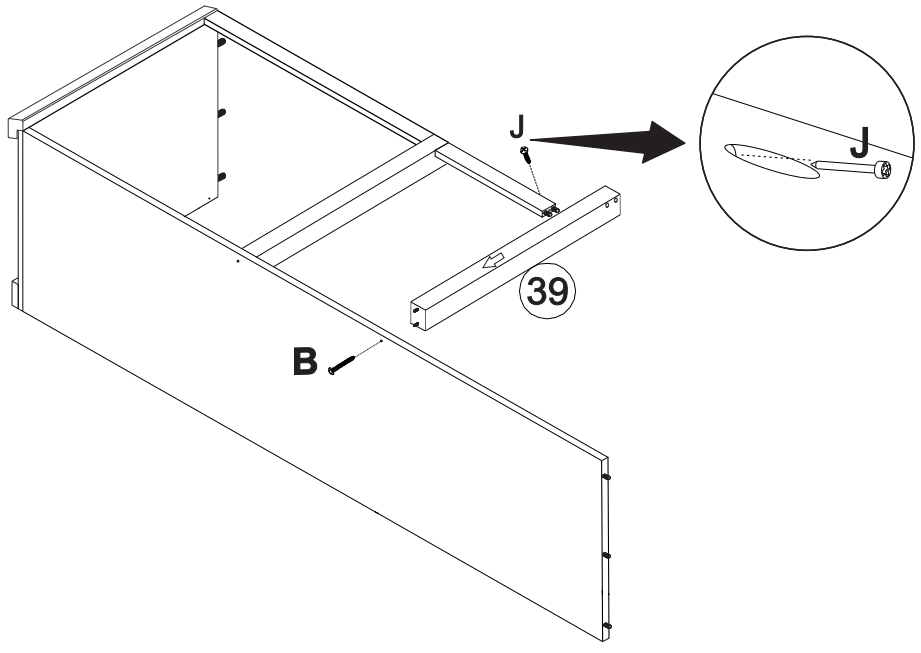
42



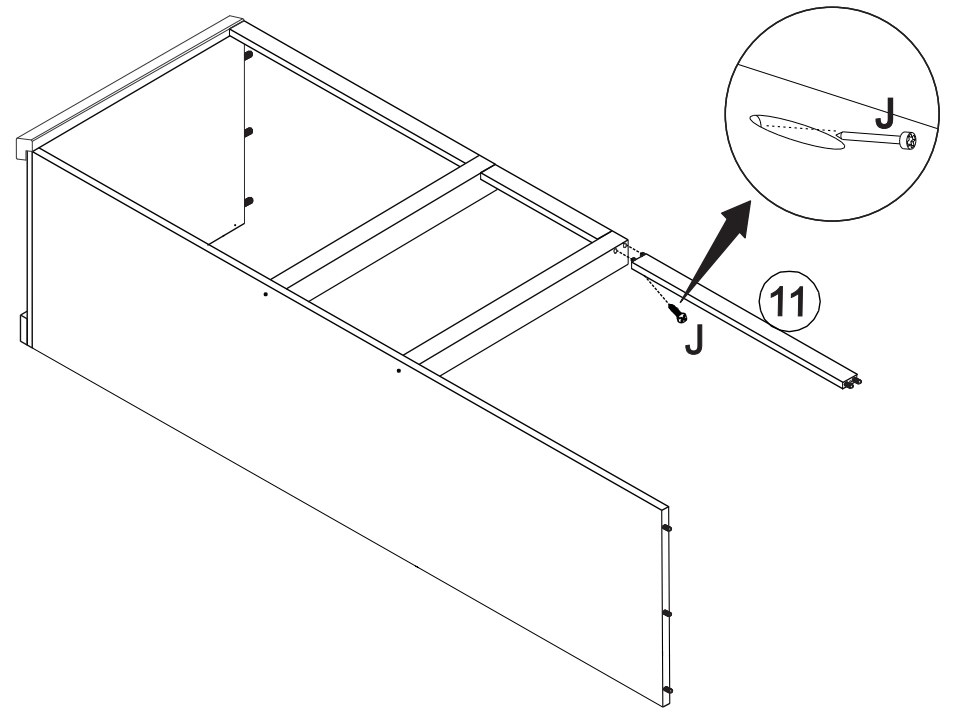
43



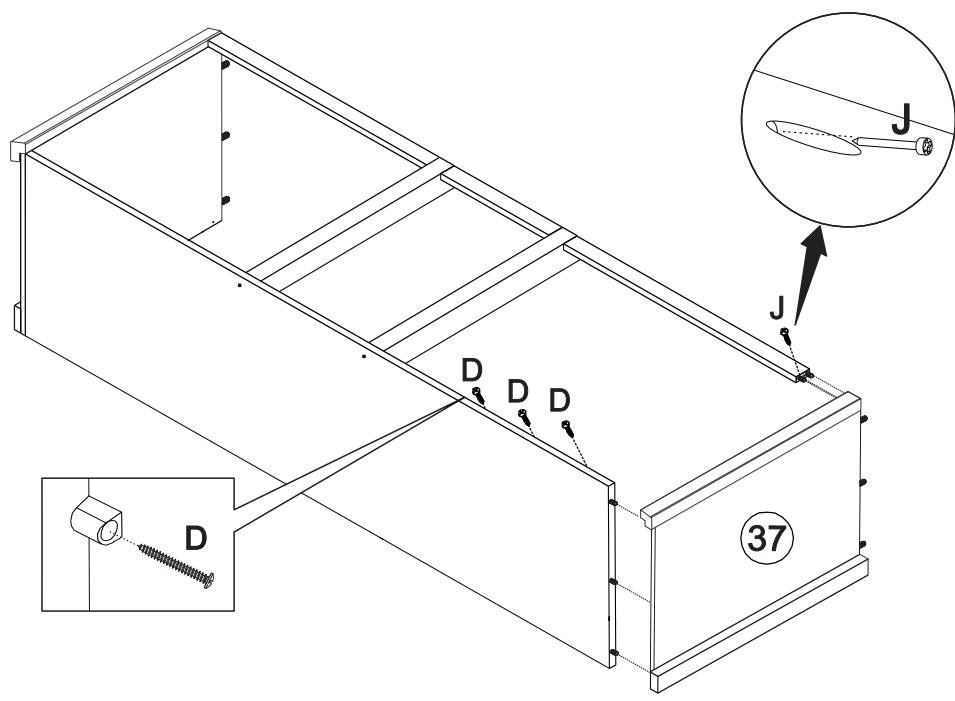
44



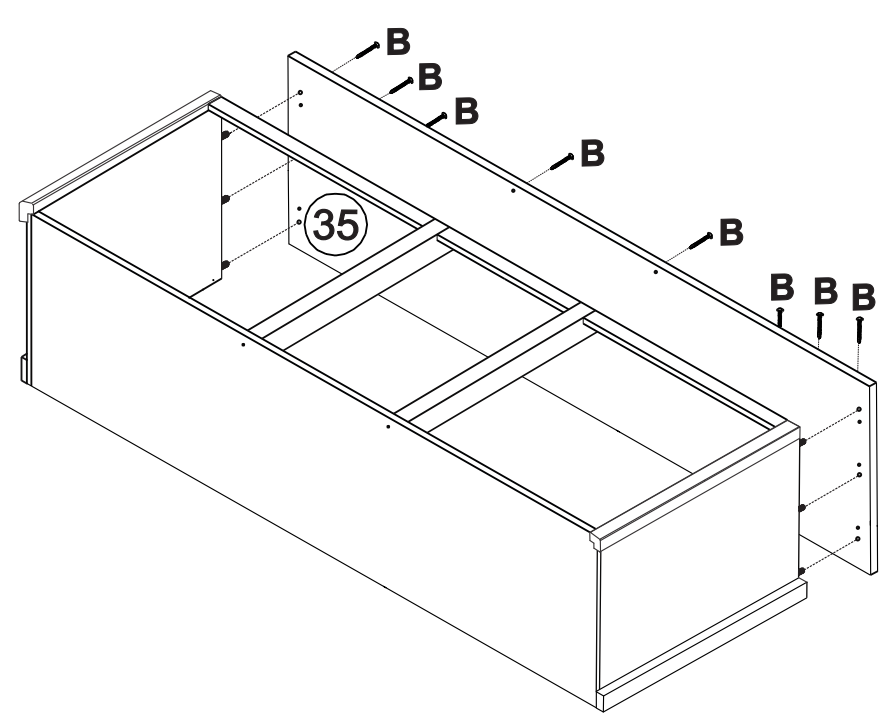
45



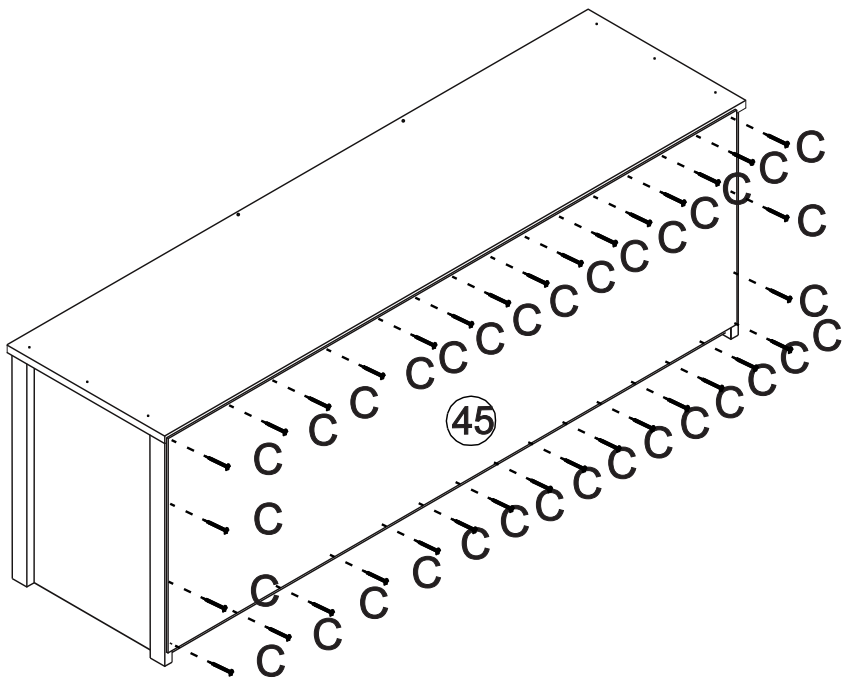
46



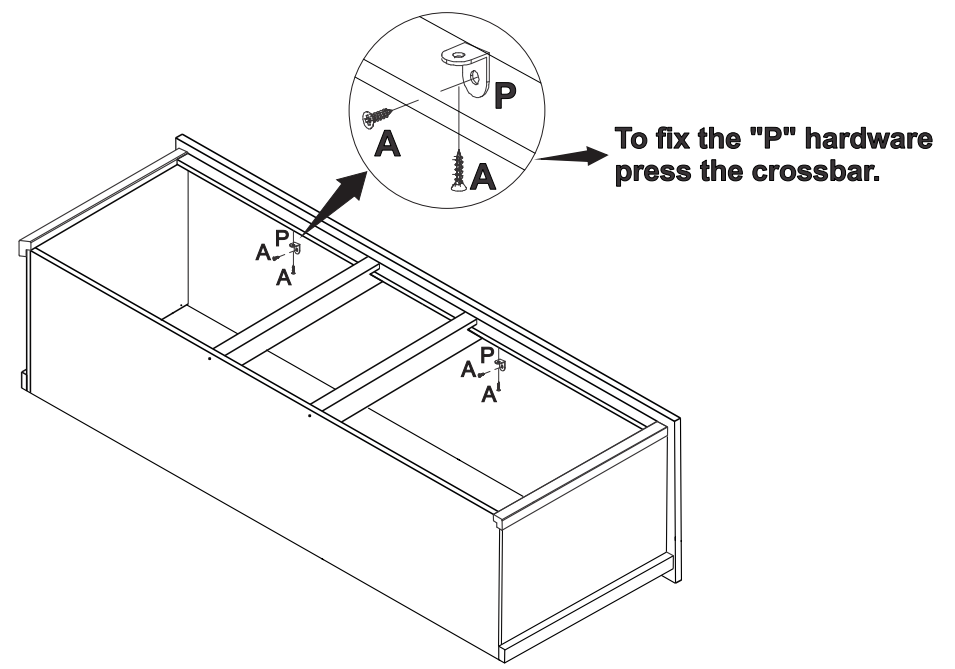
47



48

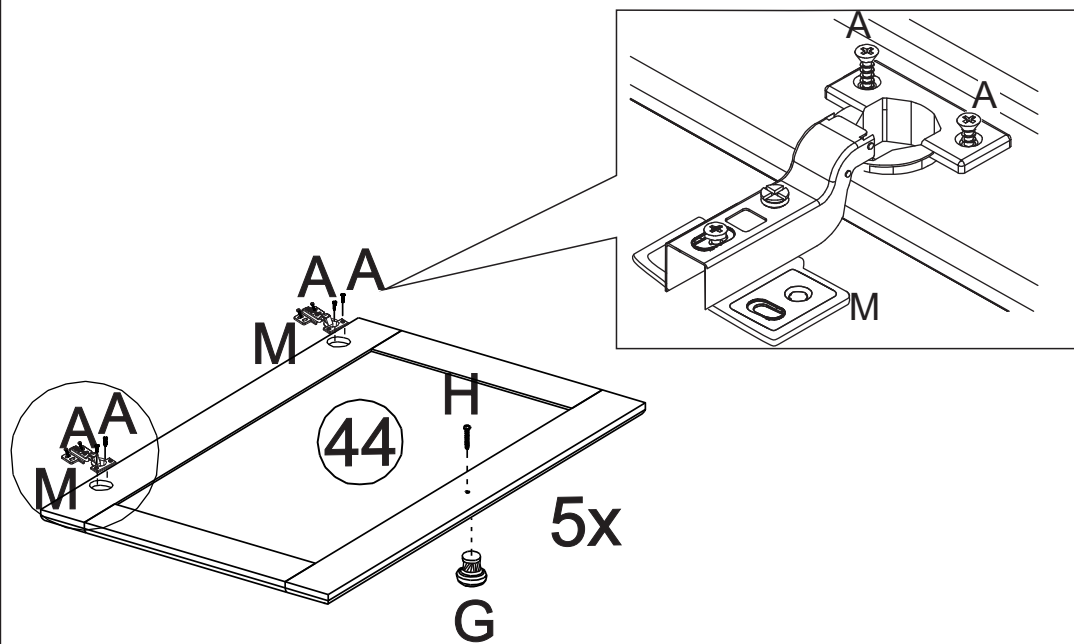


49

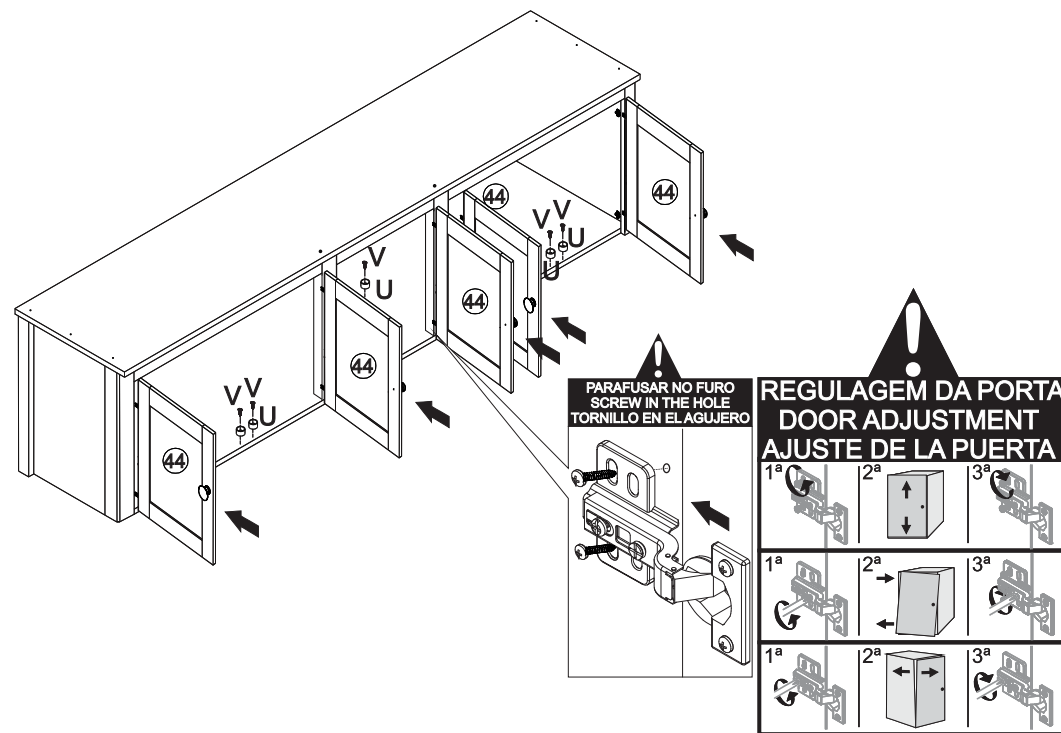


To fix the "P" hardware press the crossbar.

50



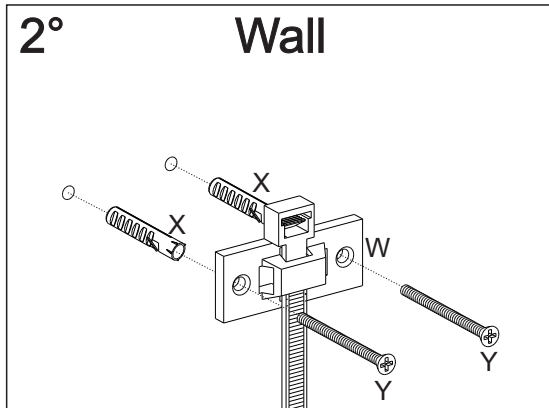
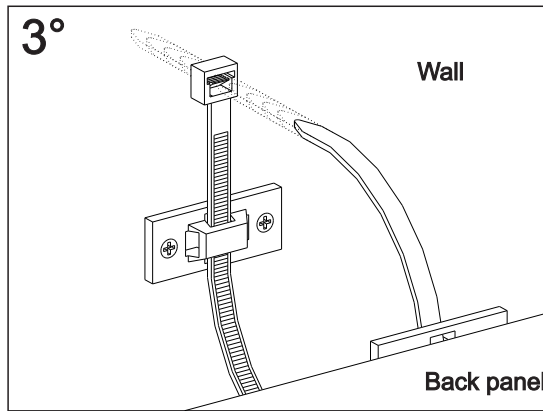
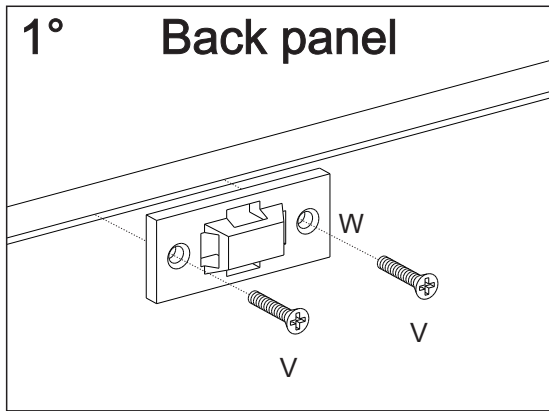
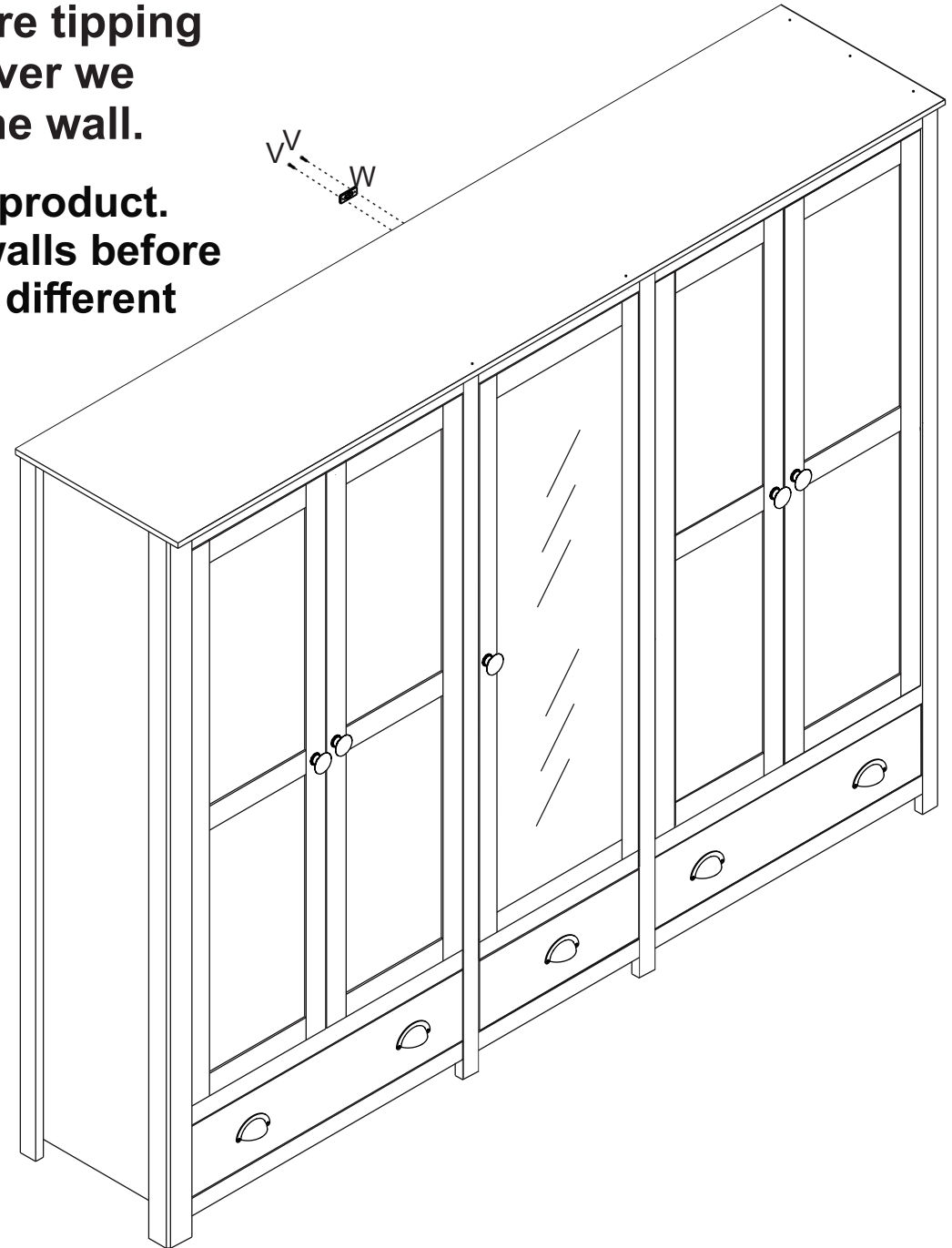
51



# WARNING

**Serious or fatal injuries can occur from furniture tipping over. To prevent the furniture from tipping over we recommend that it is permanently fixed to the wall.**

**Wall anchor and hardware are included with this product. Please make sure hardware is suitable for your walls before installing, as different wall materials may require different types of anchors.**

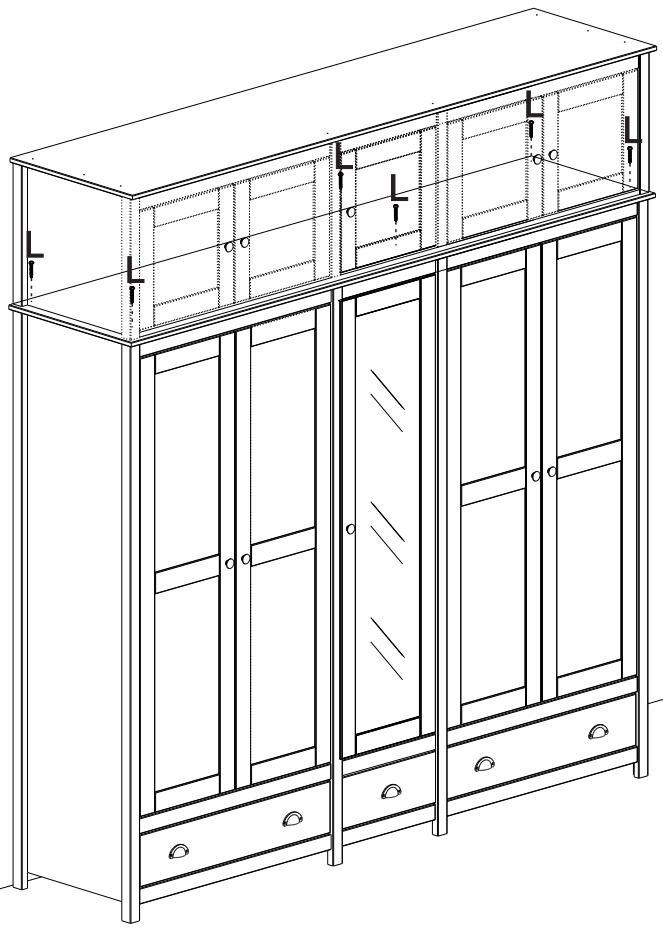
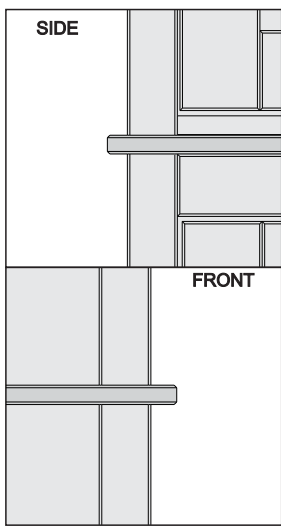


With drilling machine make one hole in the wall,  
Insert part (W) in the hole.

Secure part (U) with Screw (V), in the wall.

V		02
W		01
Y		02
X		02

52



53

