

ASSEMBLY INSTRUCTIONS

Read these instructions carefully and keep for future reference. Refer to parts inventory for guidance, and ensure you have all pieces before starting.



TIME



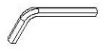

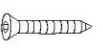
OF PEOPLE



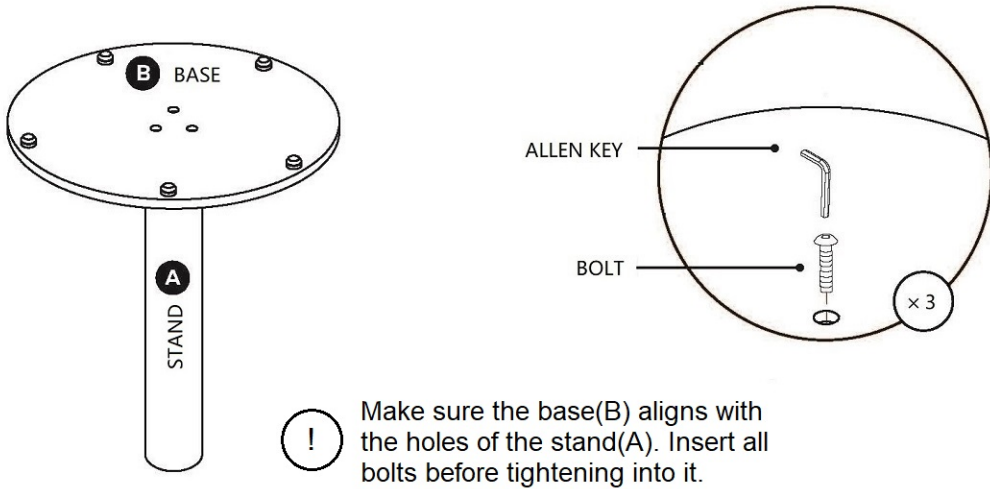
DIFFICULTY

When assembling, place all parts on a soft, clean, and flat surface such as a carpet to prevent scratches.

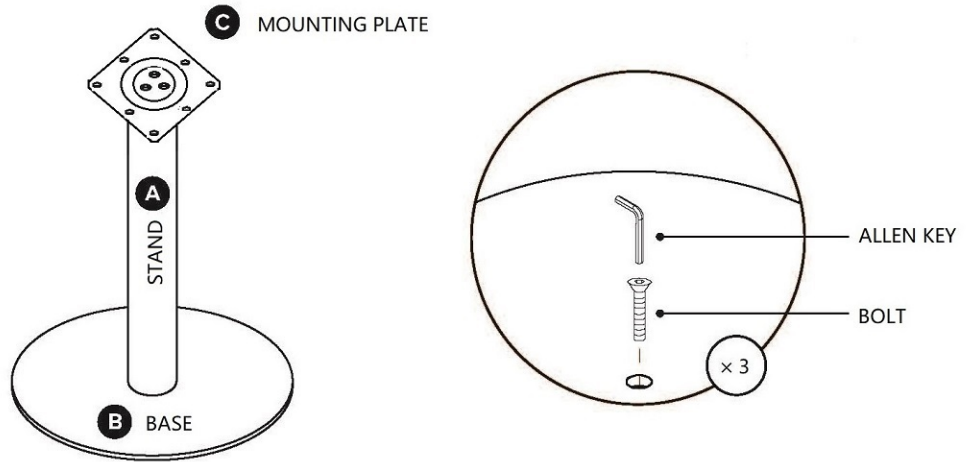
PARTS INVENTORY		
ID	DESCRIPTION	QTY
A	STAND	1
B	BASE	1
C	MOUNTING PLATE	1
D	TABLE TOP LAMINATED WITH PLYWOOD (Individually Packed)	1

PARTS INVENTORY		
ID	DESCRIPTION	QTY
E	ALLEN KEY 	1
F	BASE BOLT 	6
G	FLAT HEAD BOLT 	8

1 INSTALL BASE



2 INSTALL MOUNTING PLATE



3 INSTALL TABLE TOP

