

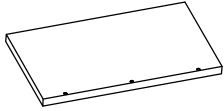
# Outdoor Kitchen Shelves

SKU: LTFA5267



# parts and components

---



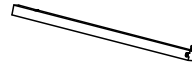
① 1X

Aluminum Worktop



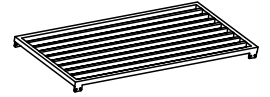
② 2X

Aluminum Legs



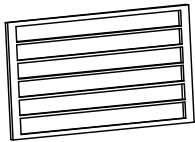
③ 2X

Aluminum Legs



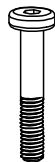
④ 2X

Aluminum Shelf



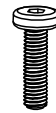
⑤ 1X

Aluminum Shelf



M6X55

⑥ 3X



M6X18

⑦ 26X



D6

⑧ 29X

Stainless Steel Washers



⑨ 1X

Hex-L Key



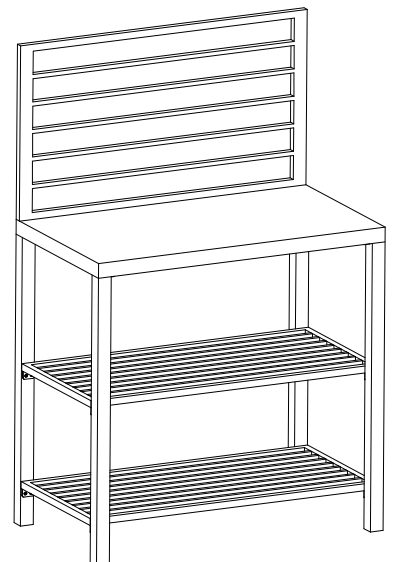
⑩ 1X

Metal Bracket

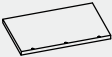


⑪ 1X

Protective Cover

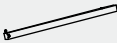


# Step 1



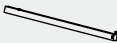
① 1X

Aluminum Worktop



② 2X

Aluminum Legs



③ 2X

Aluminum Legs



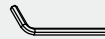
M6X18

⑦ 8X



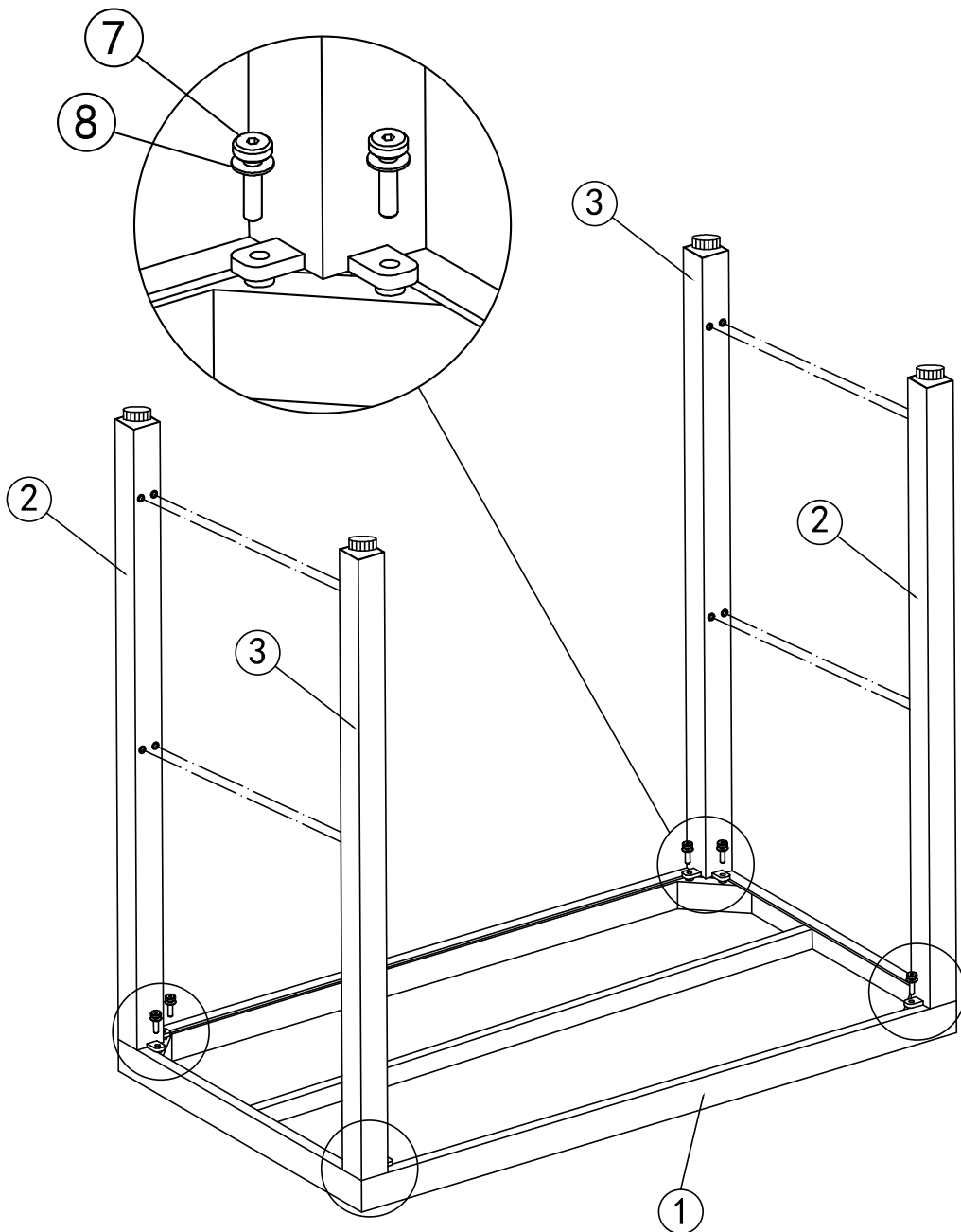
⑧ 8X

Stainless Steel Washers

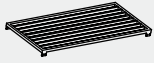


⑨ 1X

Hex-L Key



## Step 2



④ 1X

Aluminum Shelf



M6X18

⑦ 8X



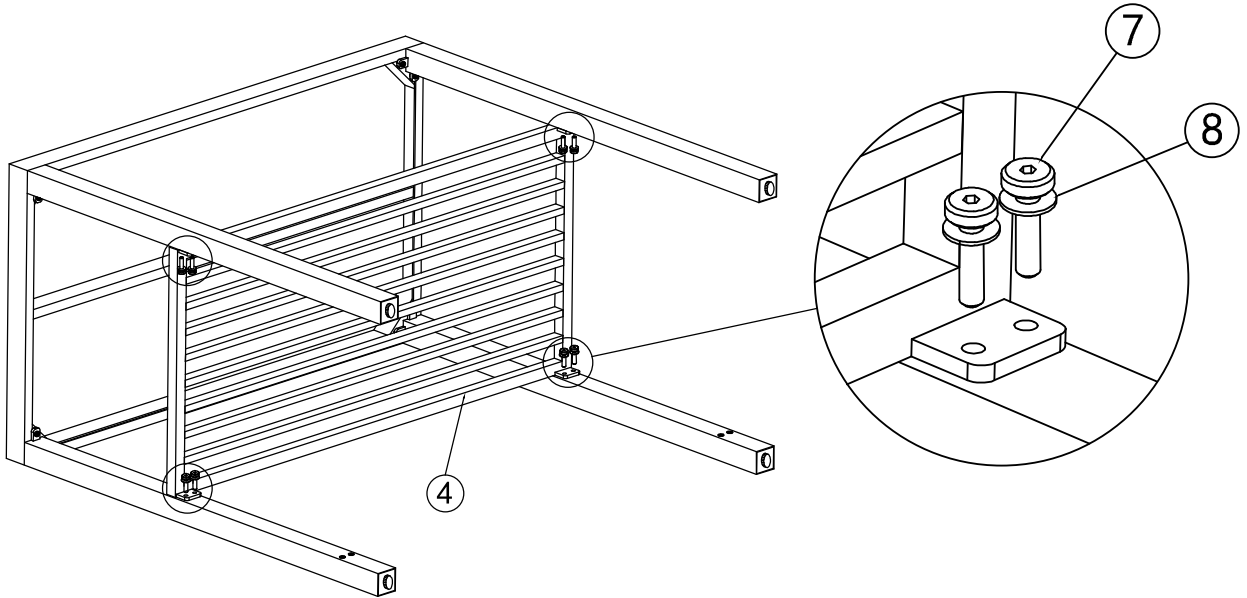
⑧ 8X

Stainless Steel  
Washers

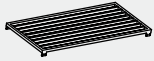


⑨ 1X

Hex-L Key



## Step 3



④ 1X

Aluminum Shelf



M6X18

⑦ 8X



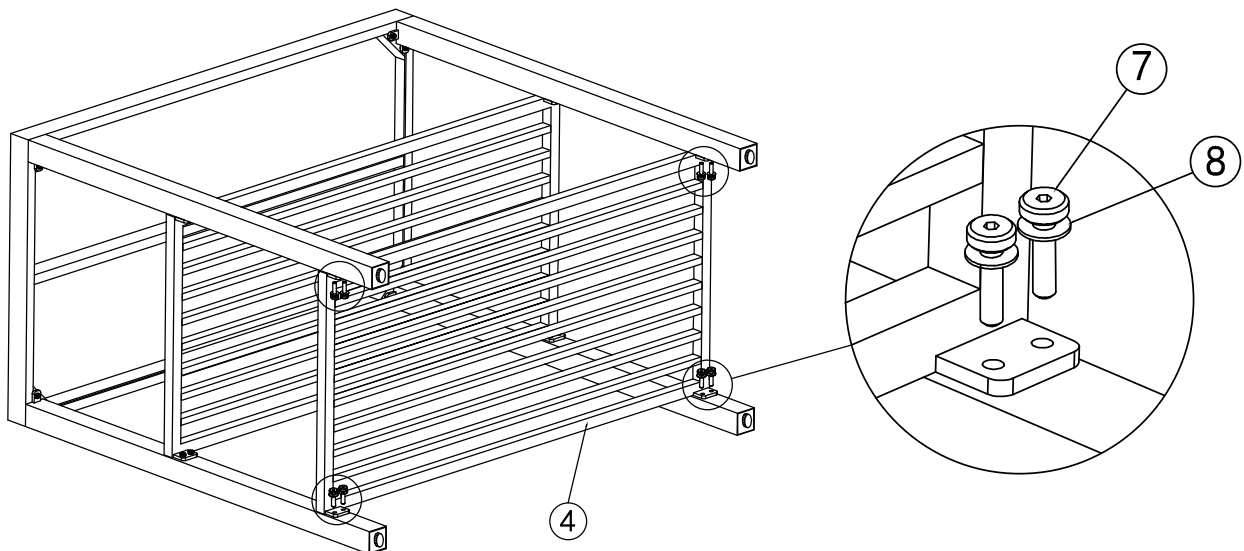
⑧ 8X

Stainless Steel  
Washers



⑨ 1X

Hex-L Key



# Step 4



⑤ 1X

Aluminum Shelf



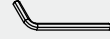
M6X55

⑥ 3X



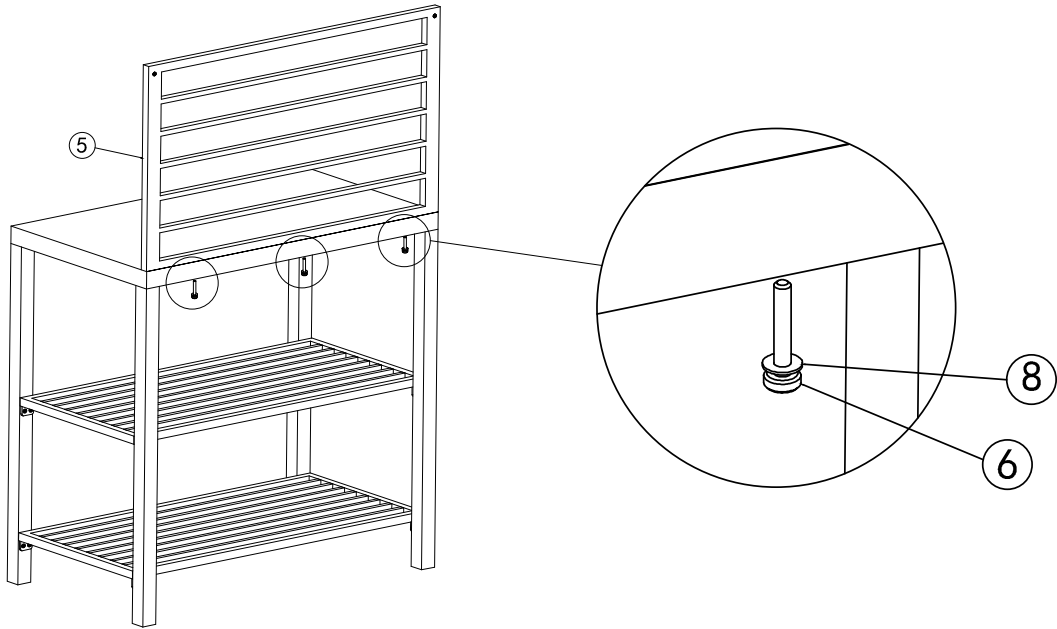
⑧ 3X

Stainless Steel Washers

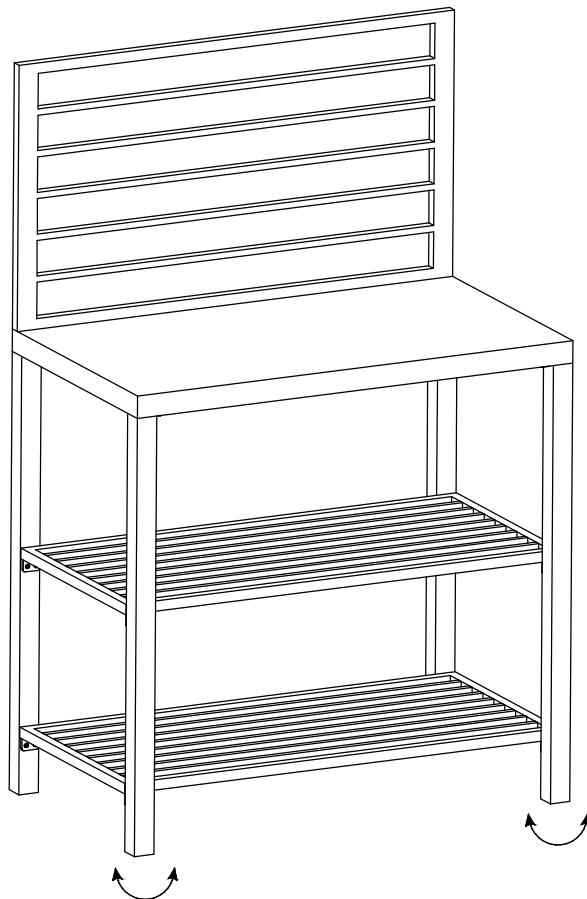


⑨ 1X

Hex-L Key



# Step 5



# about the outdoor kitchen series

---

We created the Outdoor Kitchen line because we want everyone to enjoy the outdoors! All outdoor kitchen lines are modular in design, fit together seamlessly and are made of sturdy, durable aluminum countertops for easy connection. Like all domi outdoor products, the Outdoor Kitchen series has stood the test of time and will become a product that consumers trust.



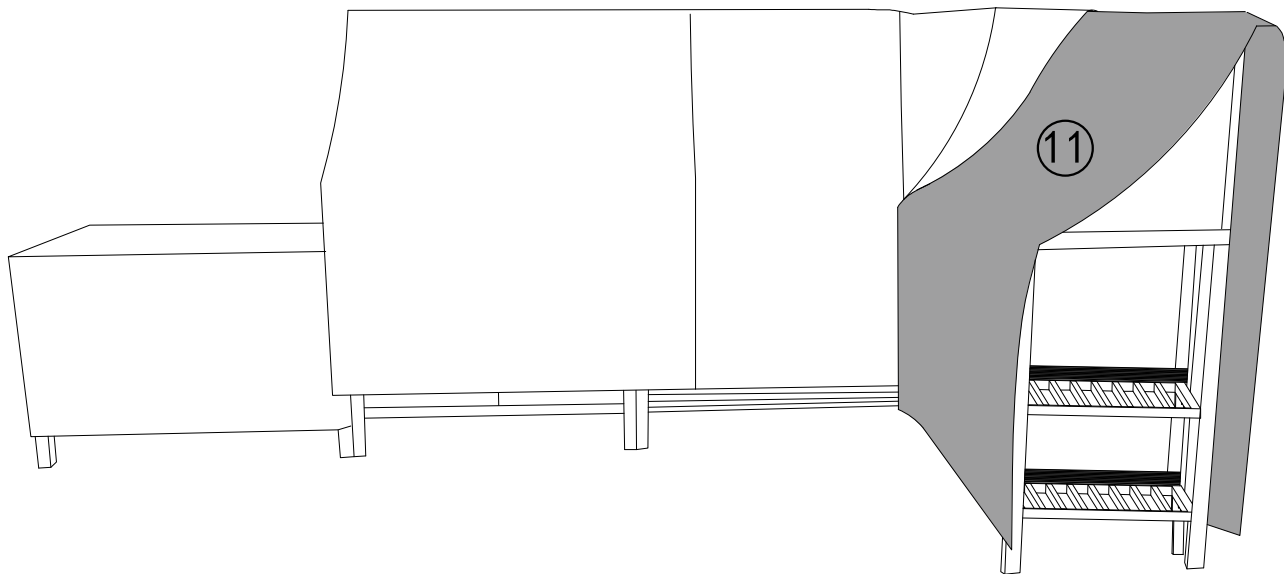
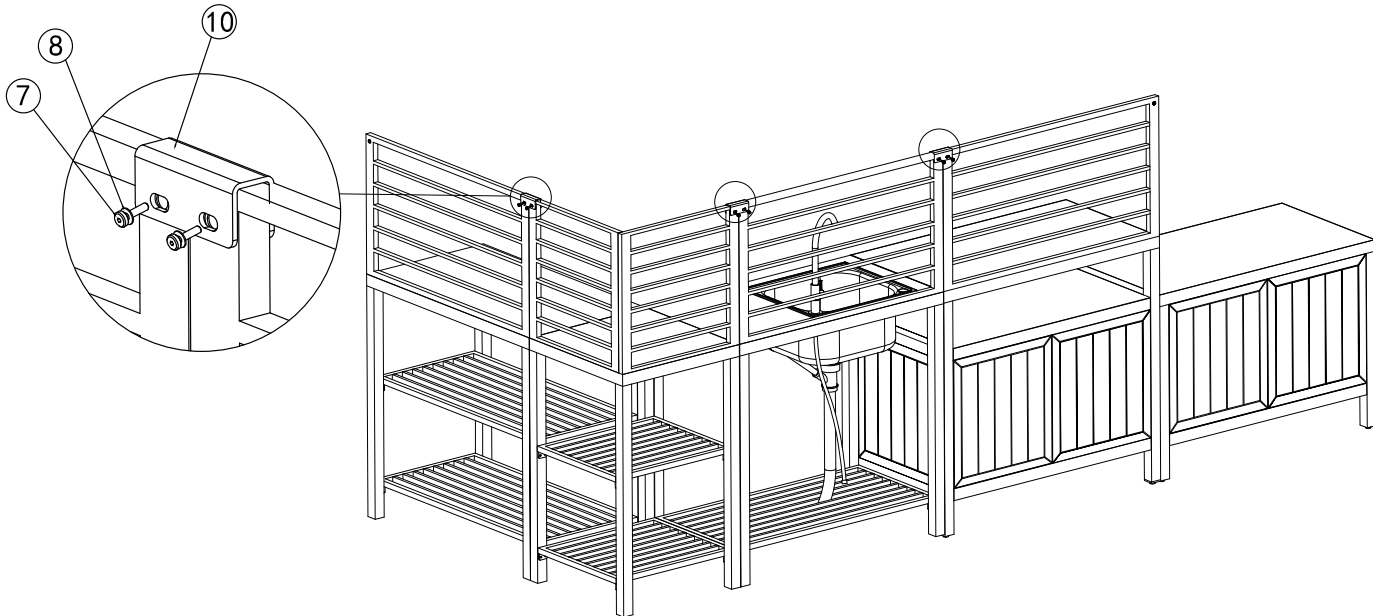
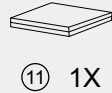
---

Missing part? Damaged? Contact us via email at [service@domioutdoorliving.com](mailto:service@domioutdoorliving.com)

[www.domioutdoorliving.com](http://www.domioutdoorliving.com)

---

# Series products



# about the outdoor kitchen series

---

We created the Outdoor Kitchen line because we want everyone to enjoy the outdoors! All outdoor kitchen lines are modular in design, fit together seamlessly and are made of sturdy, durable aluminum countertops for easy connection. Like all domi outdoor products, the Outdoor Kitchen series has stood the test of time and will become a product that consumers trust.



---

Missing part? Damaged? Contact us via email at [service@domioutdoorliving.com](mailto:service@domioutdoorliving.com)

[www.domioutdoorliving.com](http://www.domioutdoorliving.com)

---