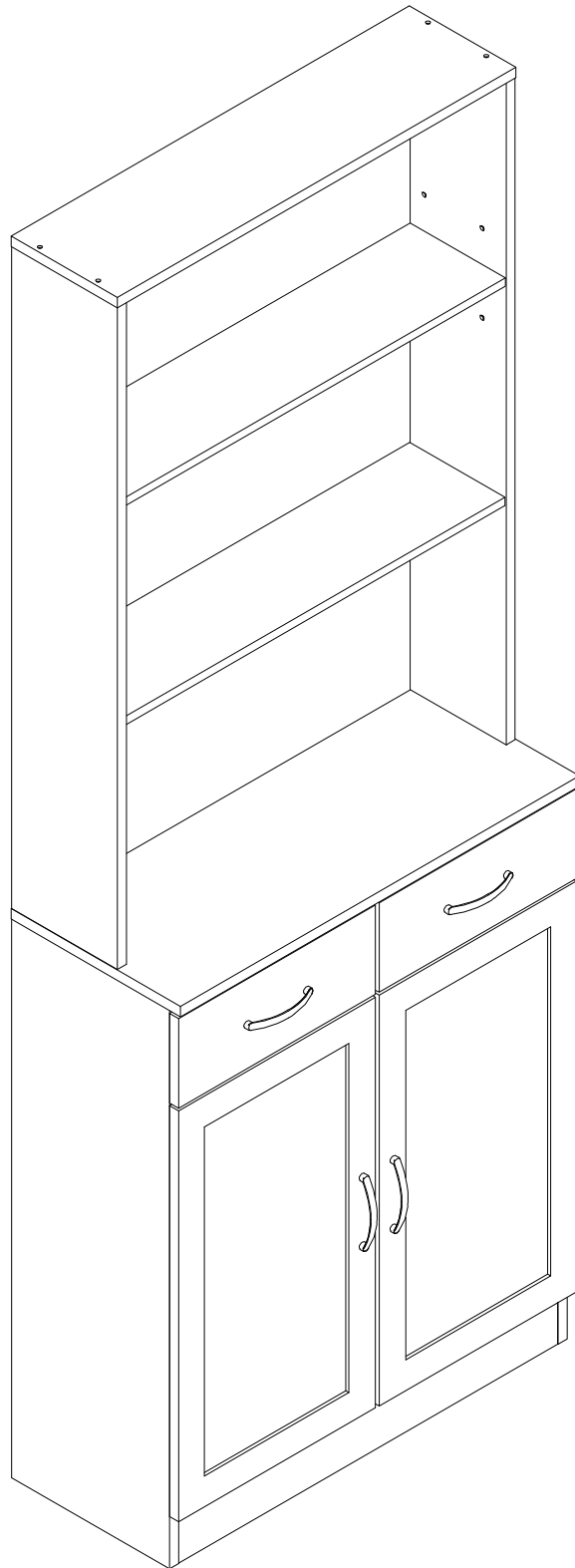
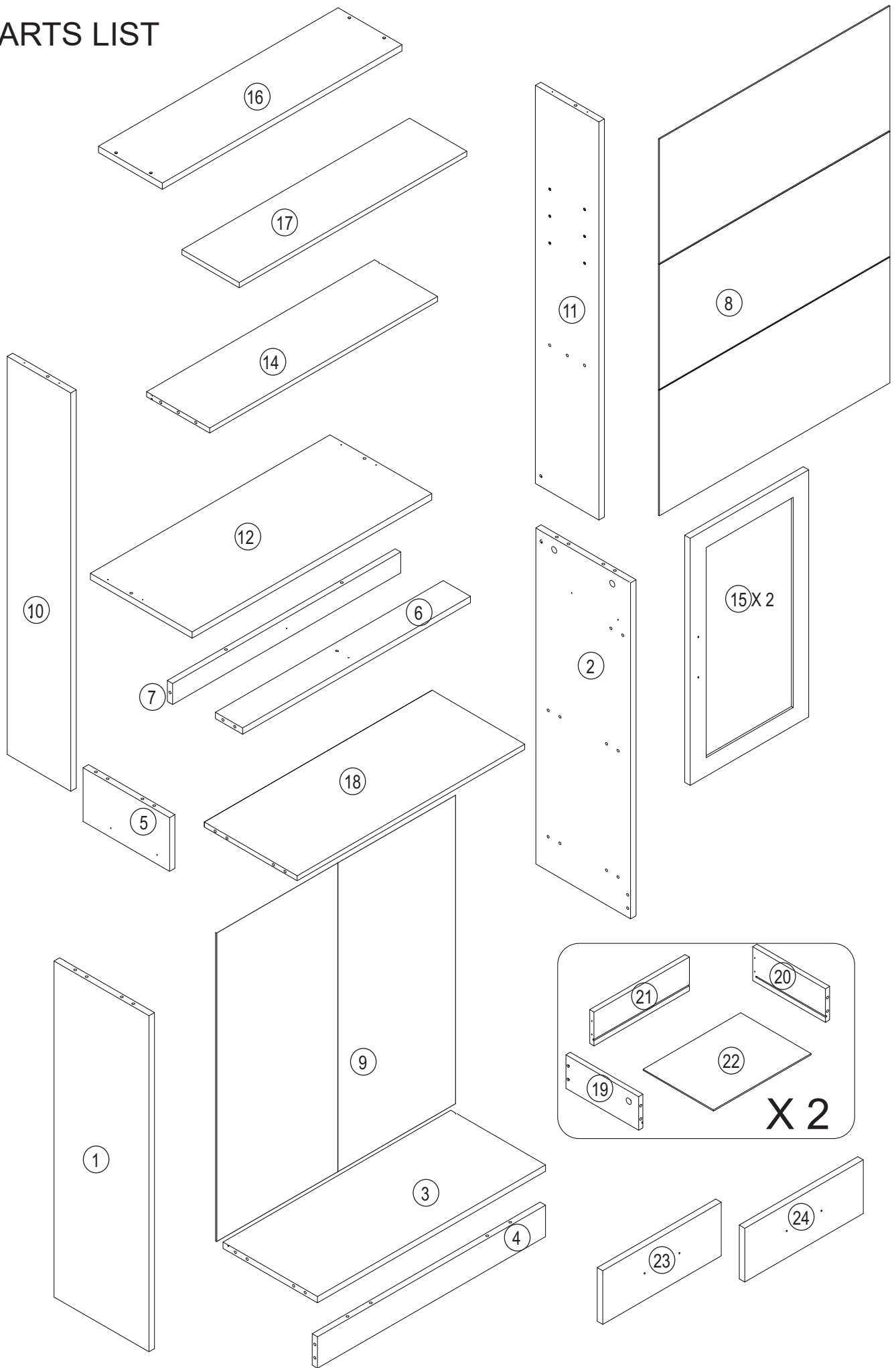


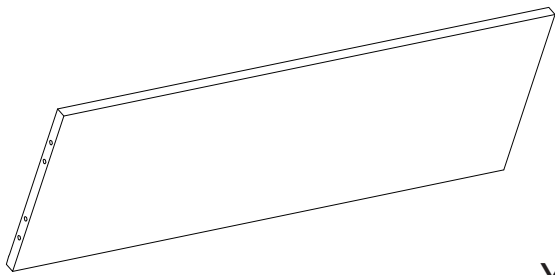
ASSEMBLY INSTRUCTION



PARTS LIST

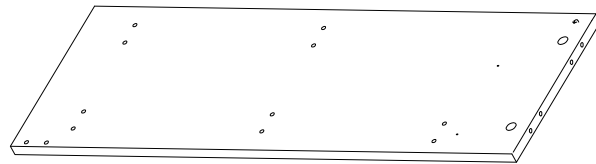


①



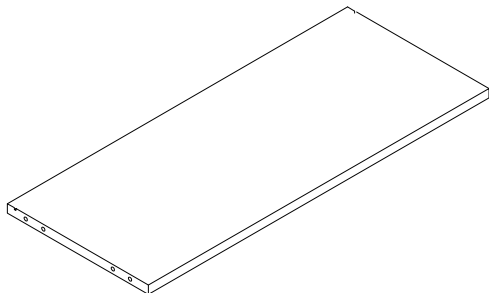
X 1

②



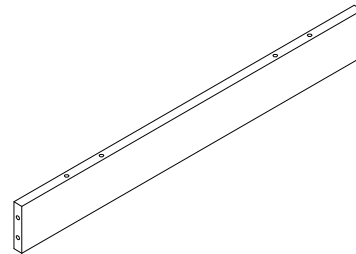
X 1

③



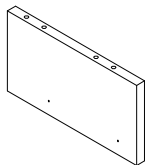
X 1

④



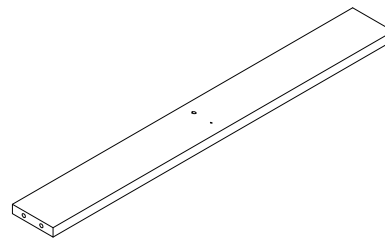
X 1

⑤



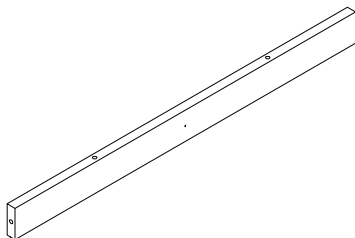
X 1

⑥



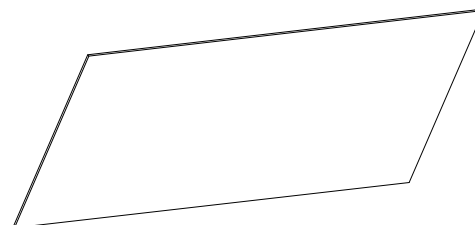
X 1

⑦



X 1

⑧



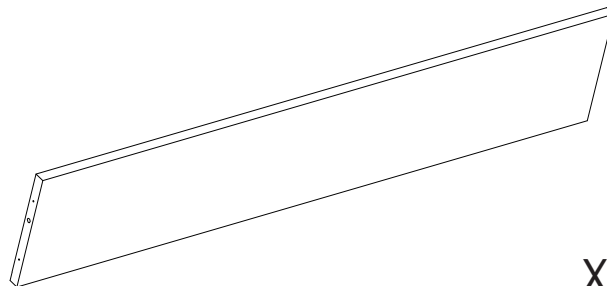
X 3

⑨



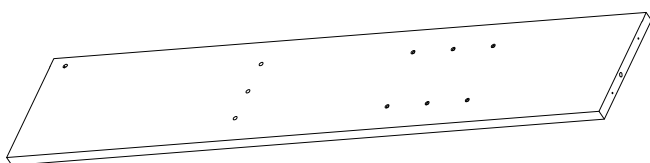
X 2

⑩



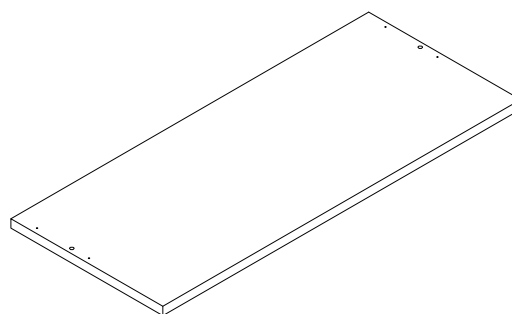
X 1

⑪



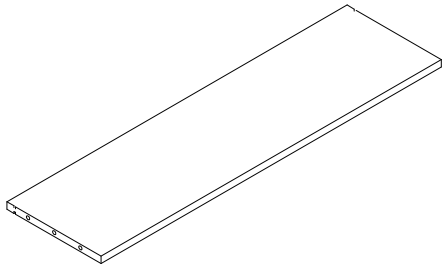
X 1

⑫



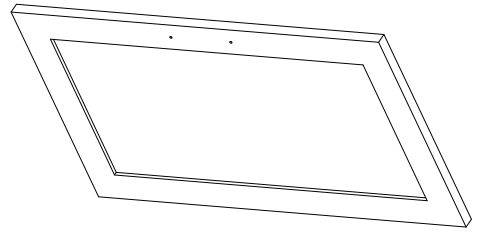
X 1

14



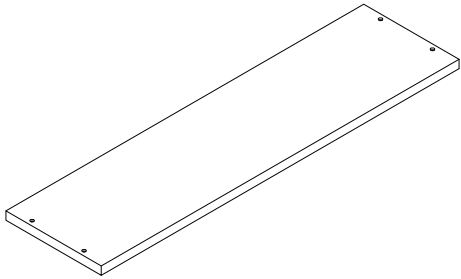
X 1

15



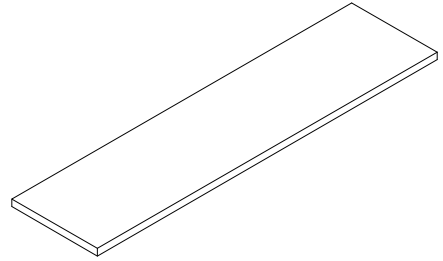
X 2

16



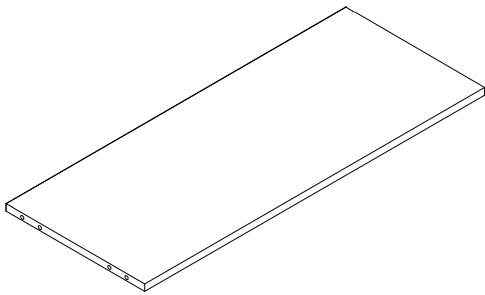
X 1

17



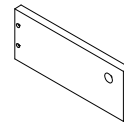
X 1

18



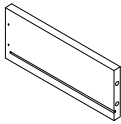
X 1

19



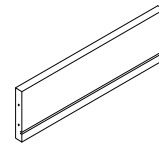
X 2

20



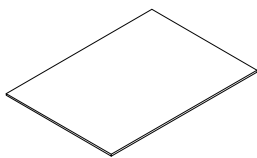
X 2

21



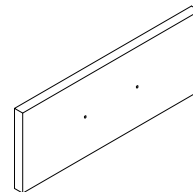
X 2

22



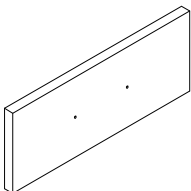
X 2

23



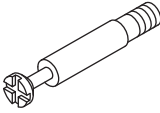

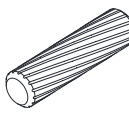
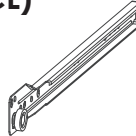
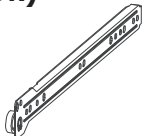
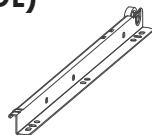
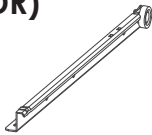

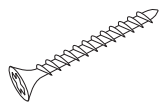

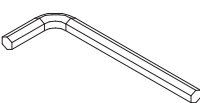
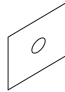

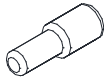
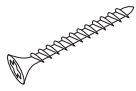


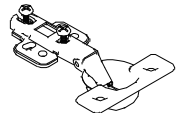

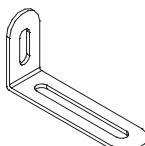
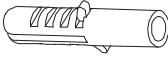

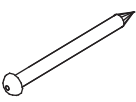

X 1

24

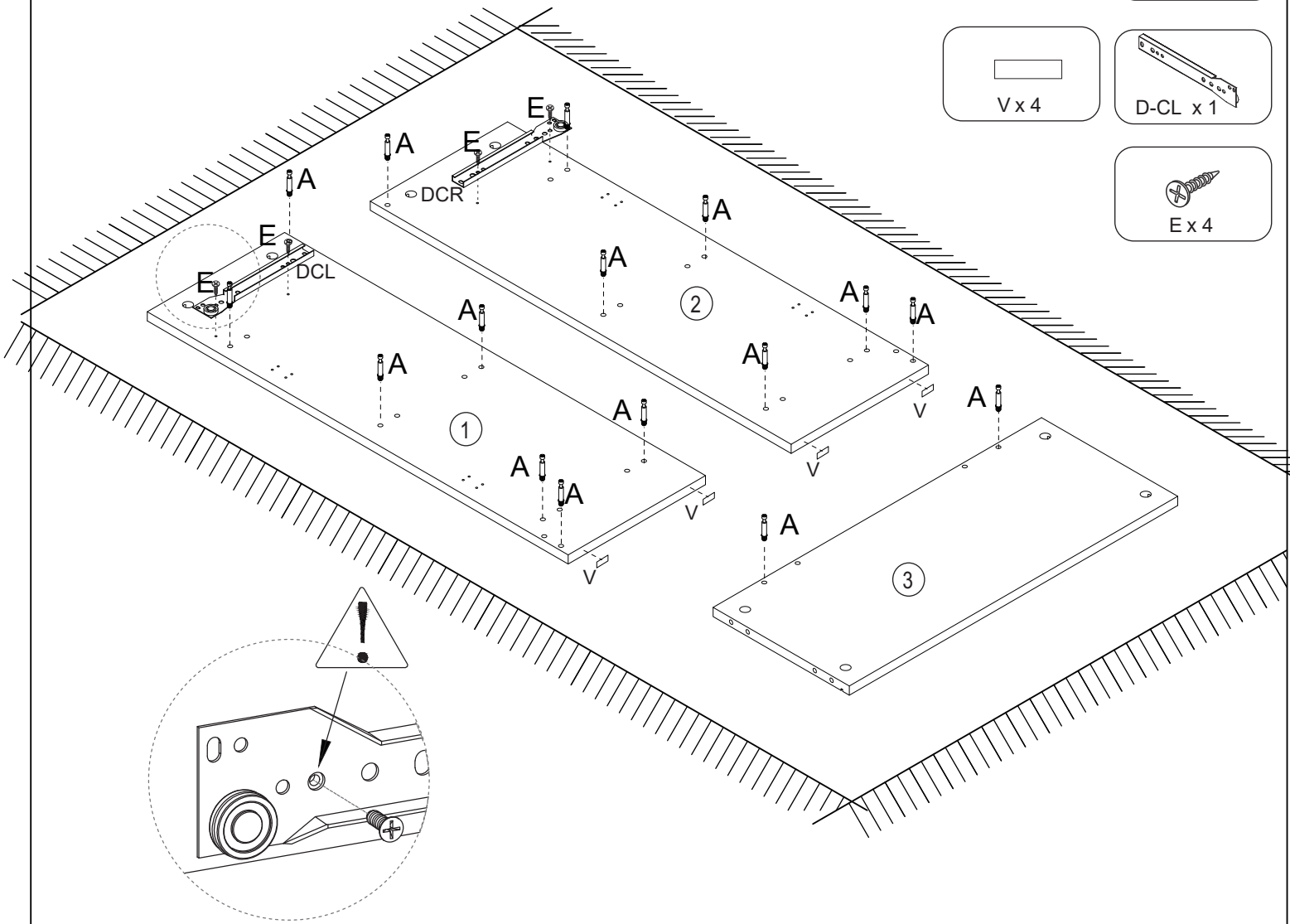
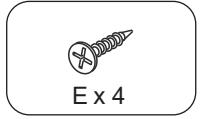
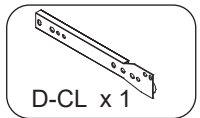
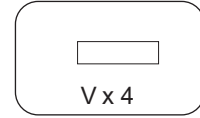
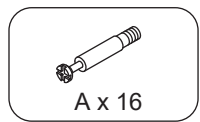
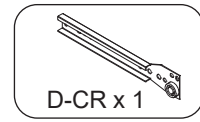


X 1

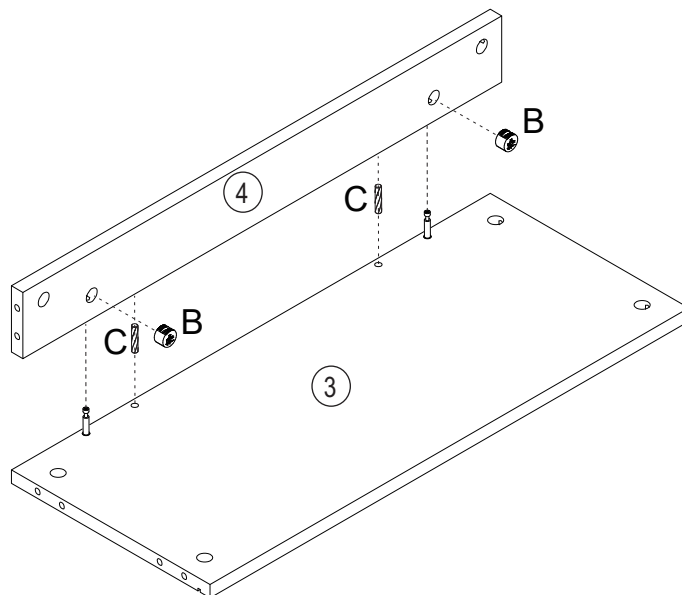
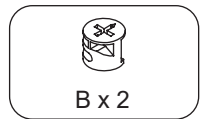
Hardware:

 <p>32 x A</p>	 <p>32 x B</p>	 <p>31 x C</p>	<p>(CL)</p>  <p>2 x D</p>
<p>(CR)</p>  <p>2 x D</p>	<p>(DL)</p>  <p>2 x D</p>	<p>(DR)</p>  <p>2 x D</p>	 <p>16 x E Ø3.5*12</p>
 <p>4 x F Ø4*35</p>	 <p>8 x G</p>	 <p>1 x H</p>	 <p>4 x I</p>
 <p>4 x J Ø3*14</p>	 <p>4 x K</p>	 <p>8 x L Ø4*30</p>	 <p>4 x M</p>
 <p>8 x N M4x16</p>	 <p>4 x O</p>	 <p>24 x P Ø4*14</p>	 <p>2 x Q</p>
 <p>2 x R</p>	 <p>2 x T Ø4*14</p>	 <p>42 x U</p>	 <p>6 x V</p>

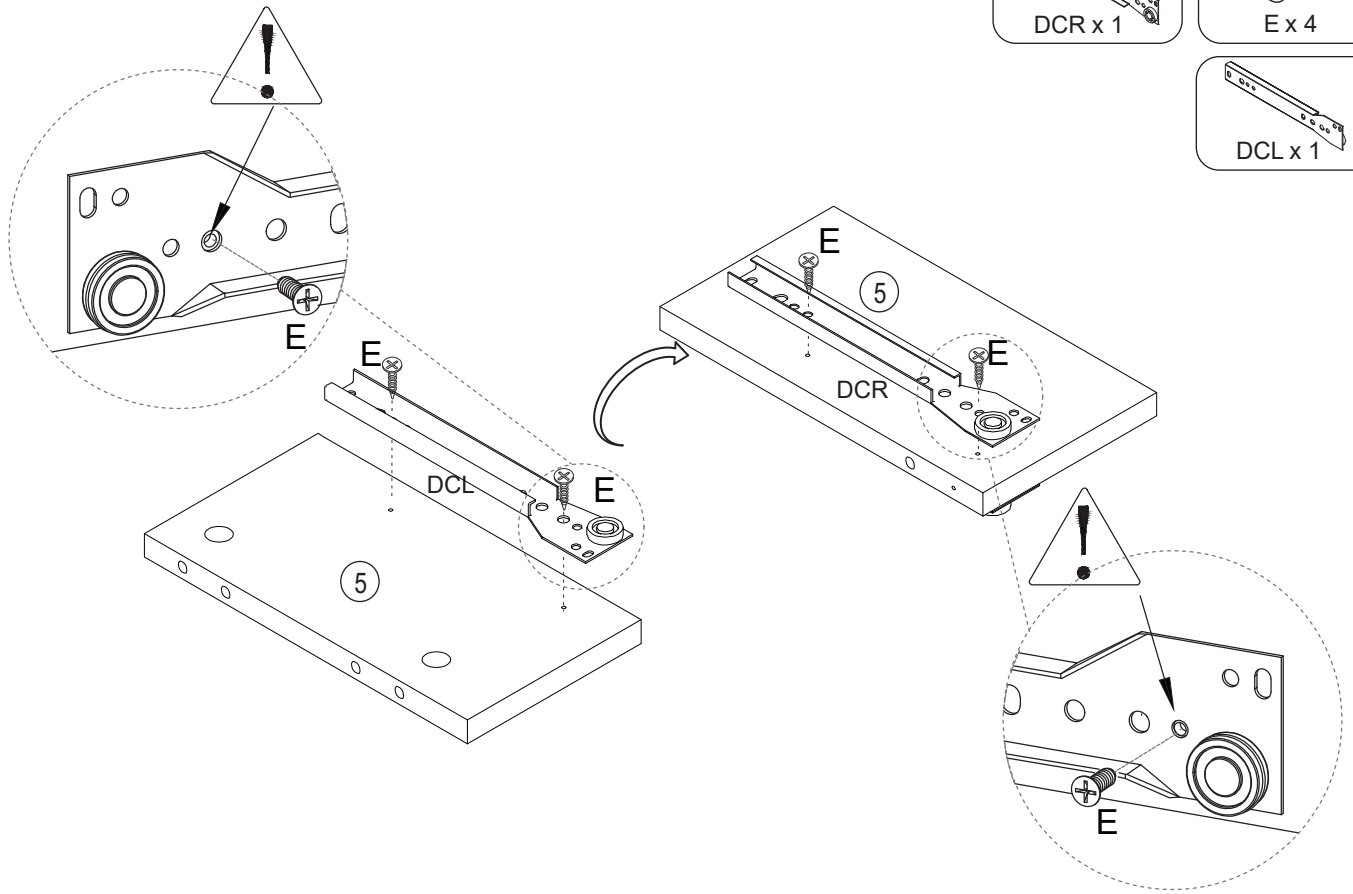
STEP 1



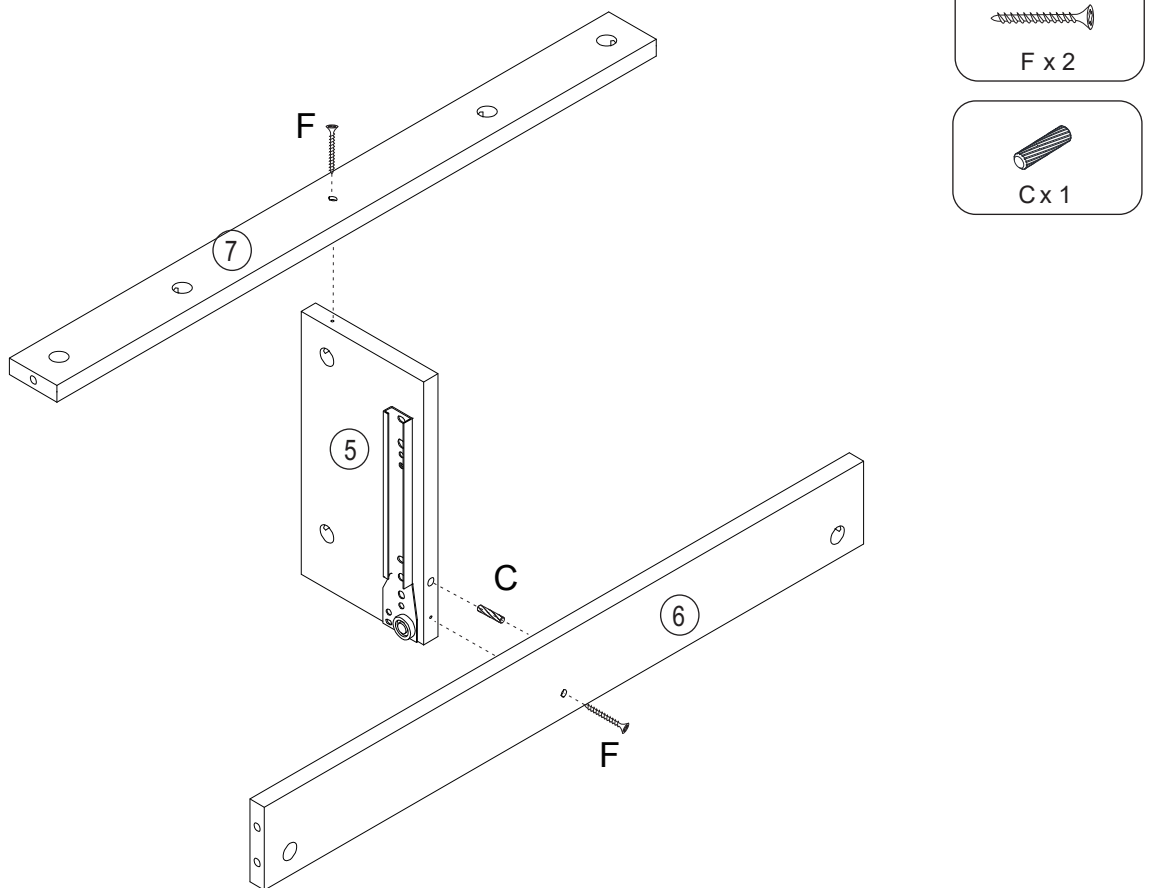
STEP 2



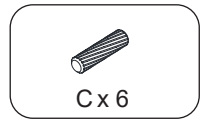
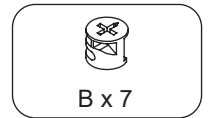
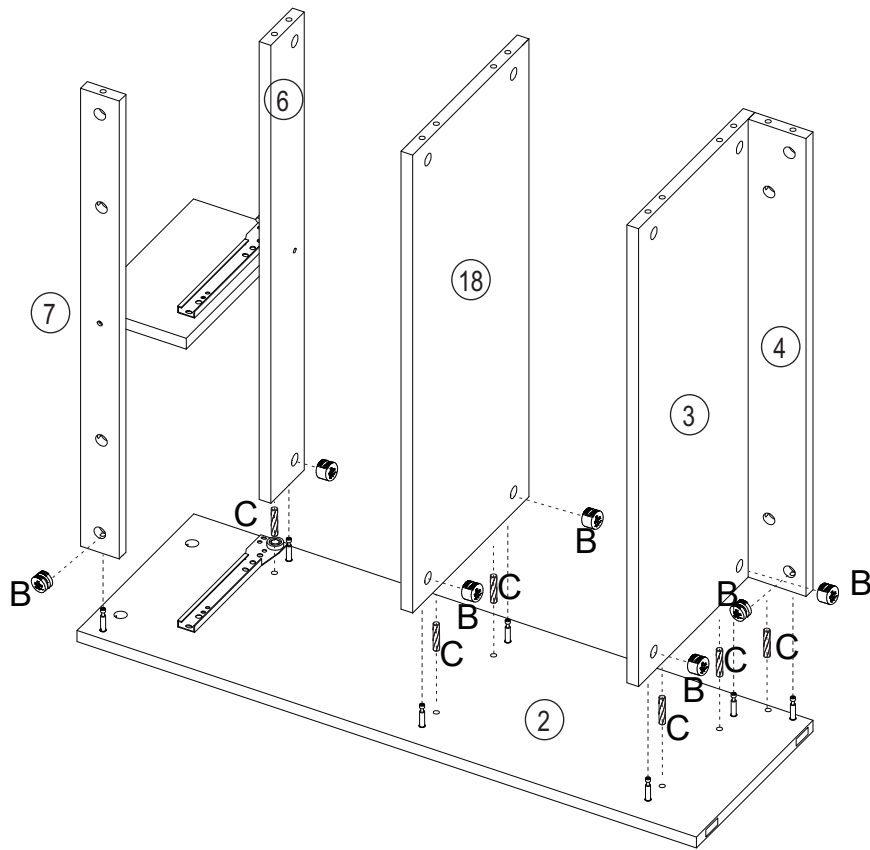
STEP 3



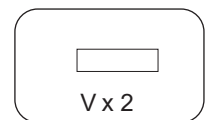
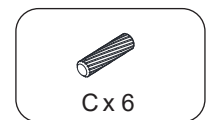
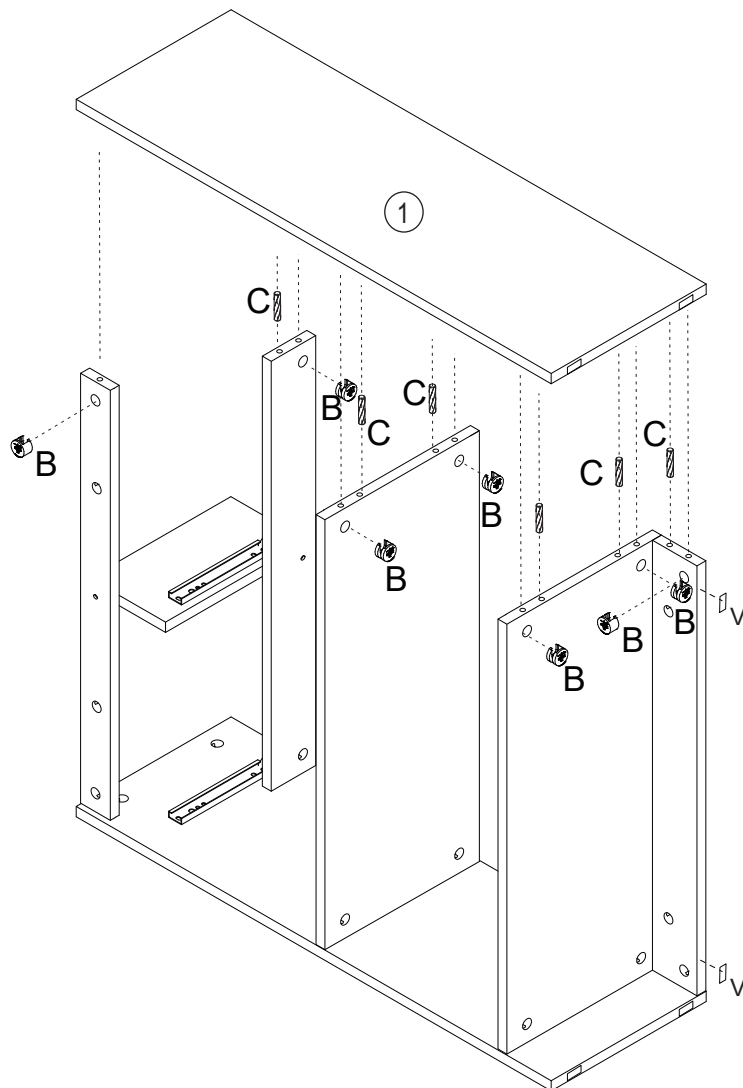
STEP 4



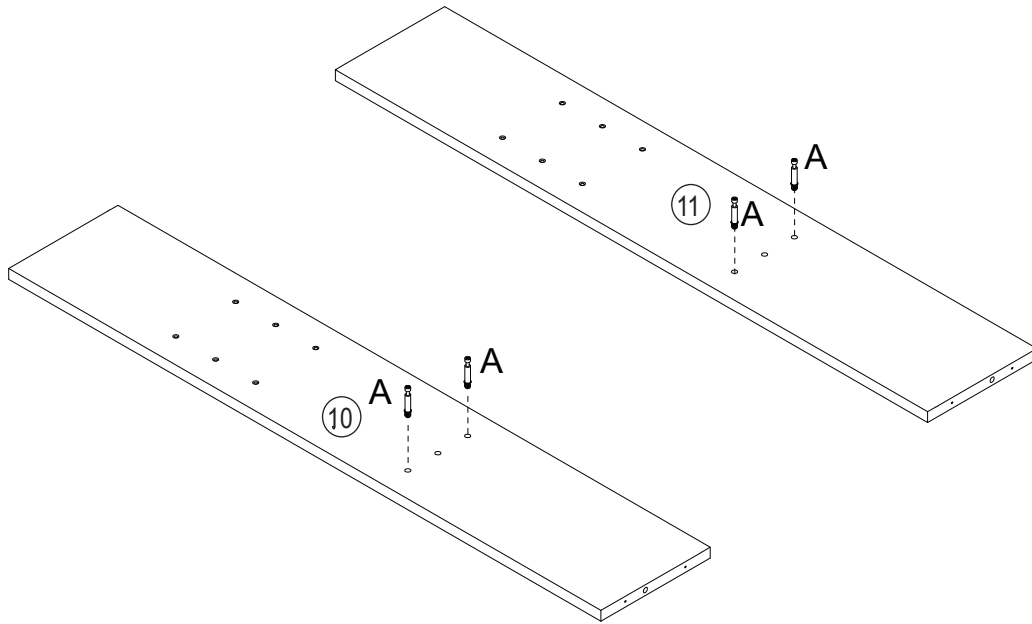
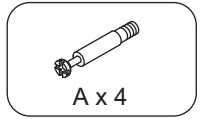
STEP 5



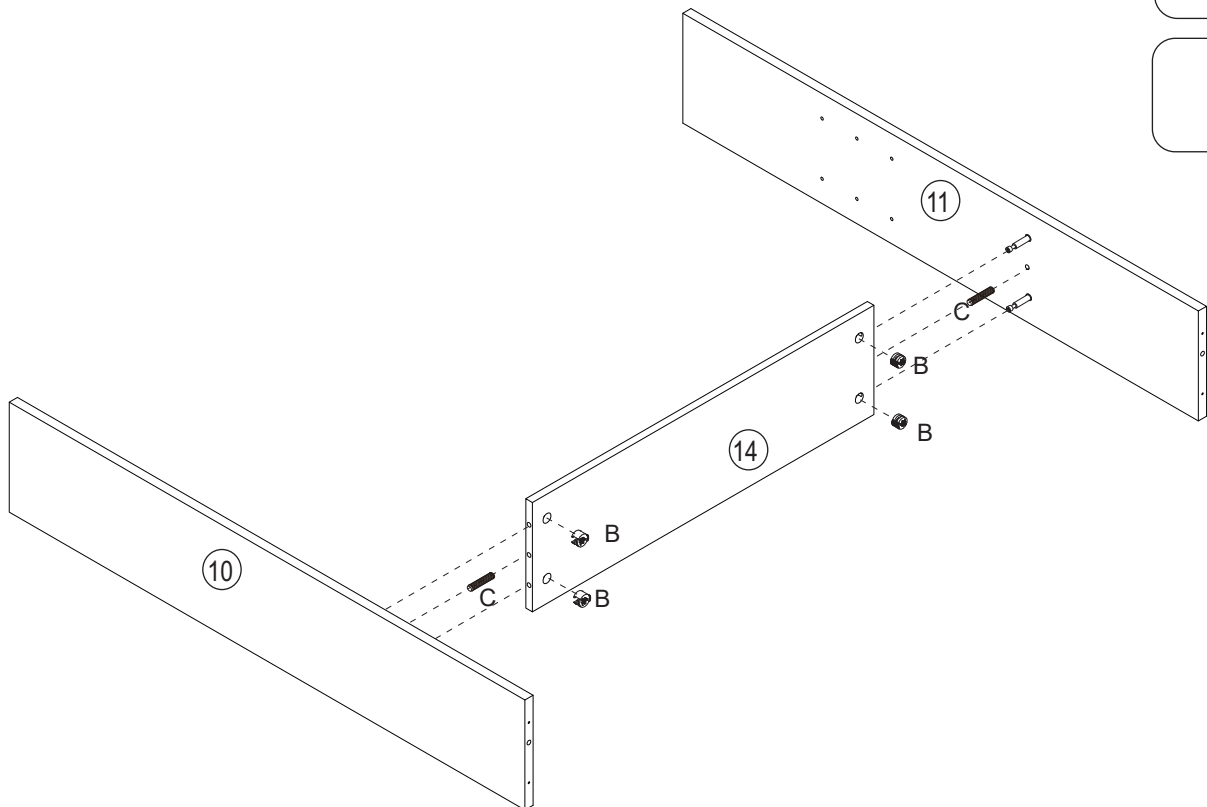
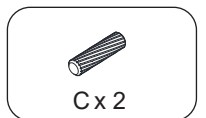
STEP 6



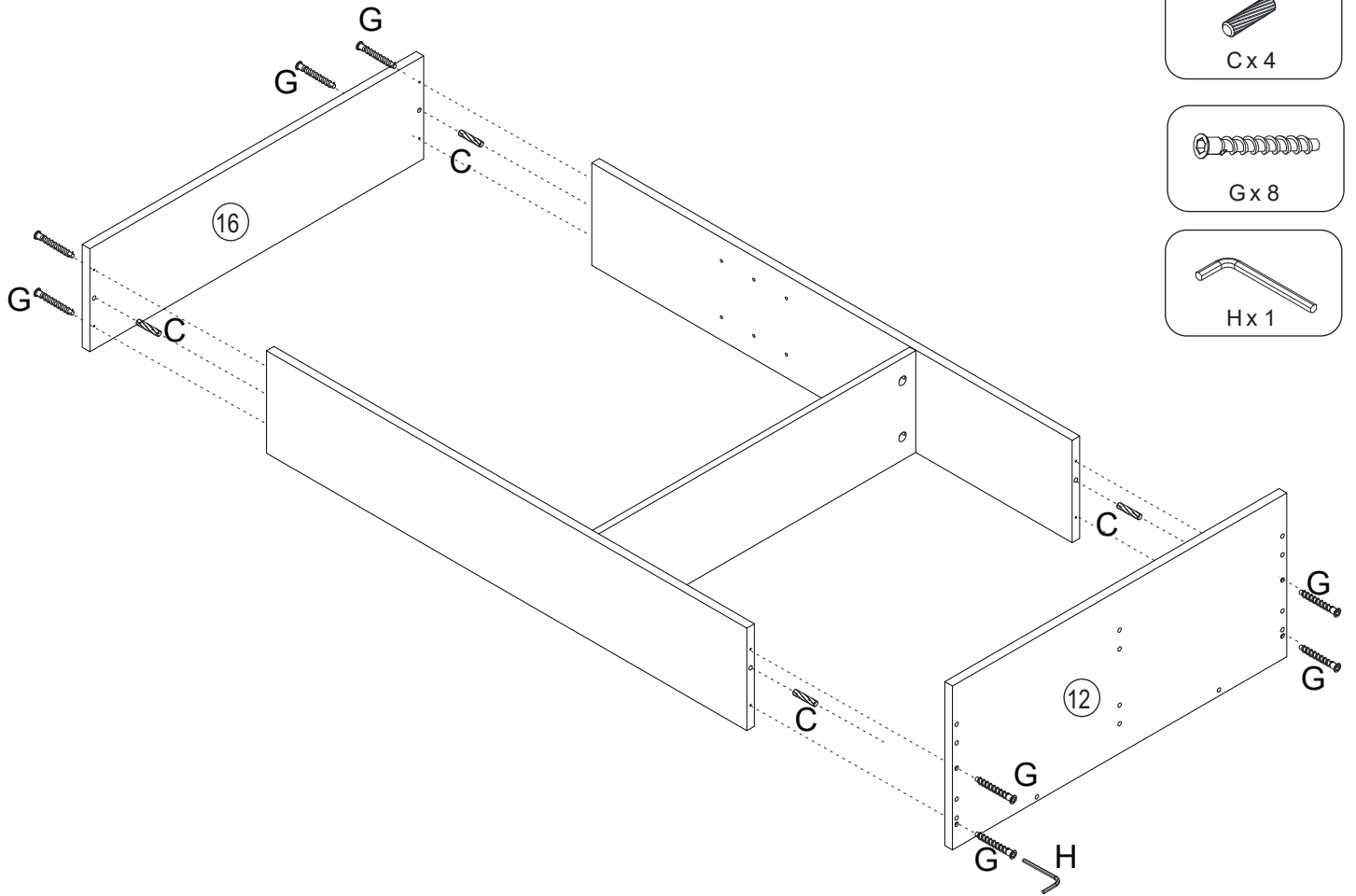
STEP 7



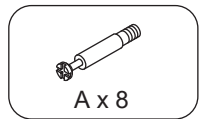
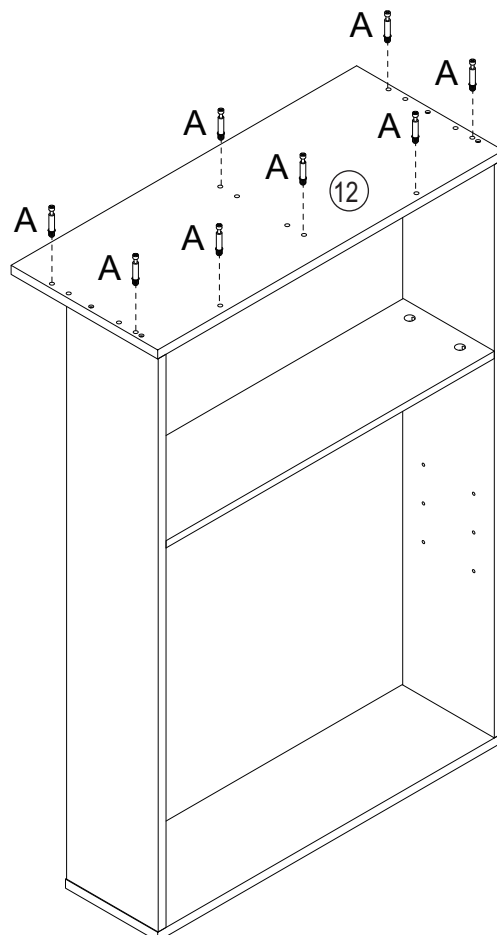
STEP 8



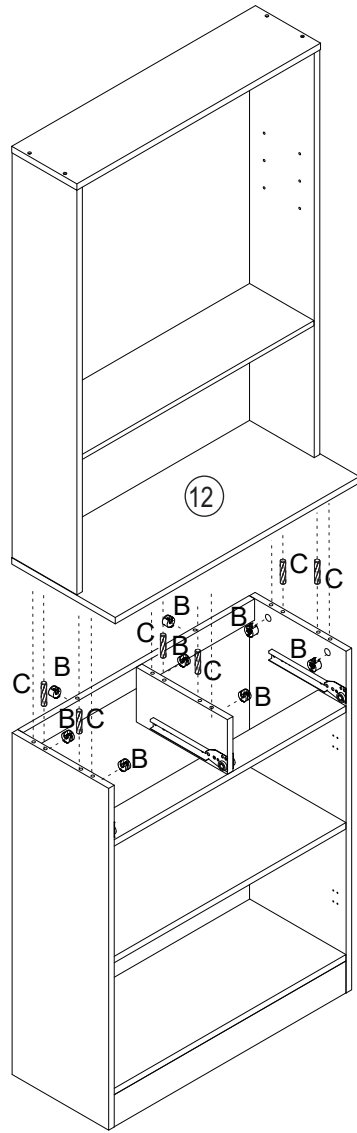
STEP 9



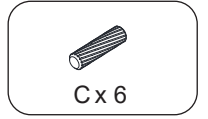
STEP 10



STEP 11

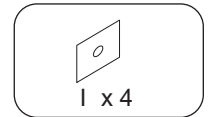
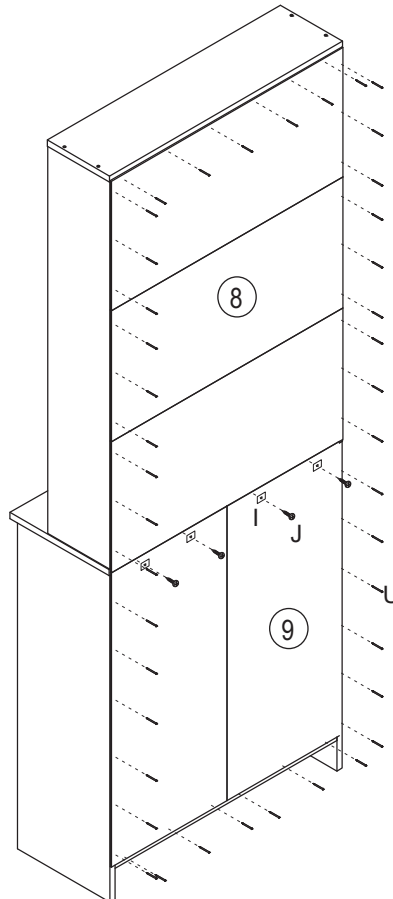


B x 8



C x 6

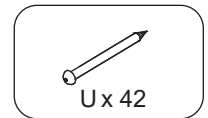
STEP 12



I x 4

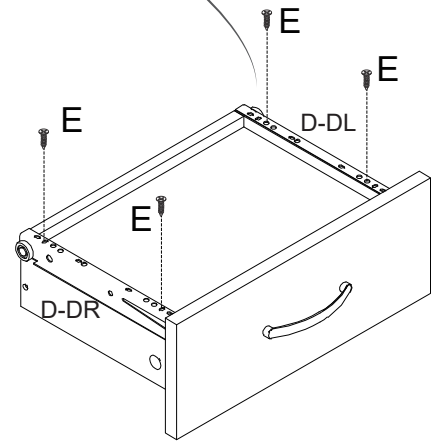
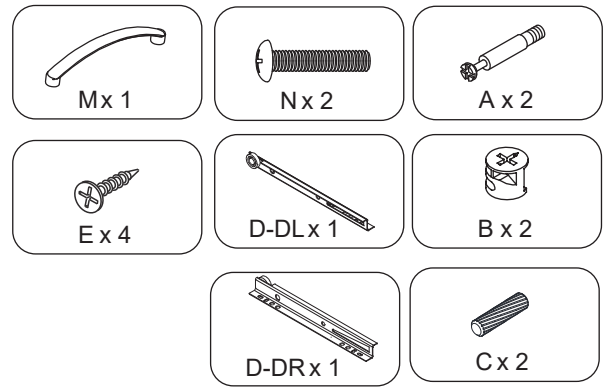
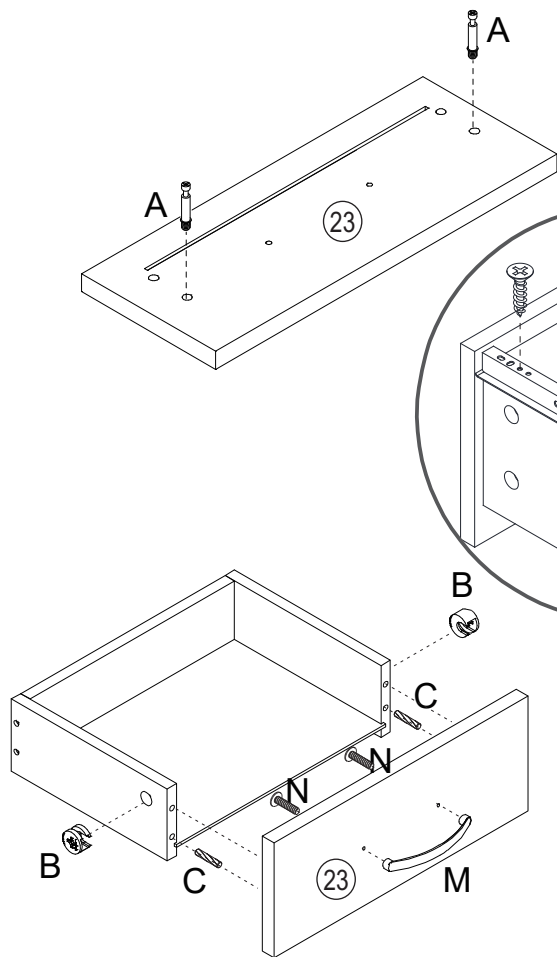


J x 4

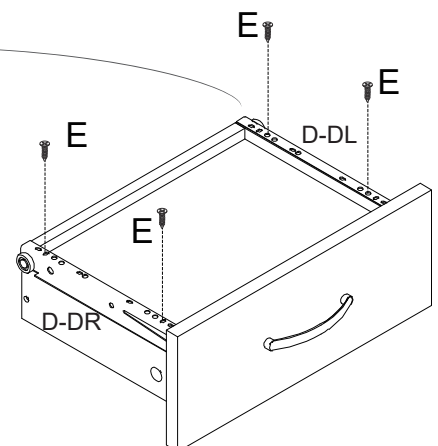
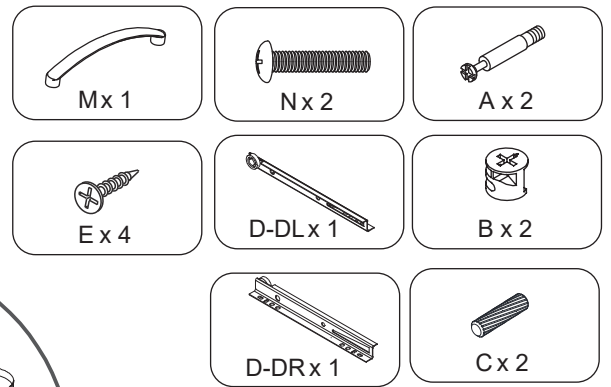
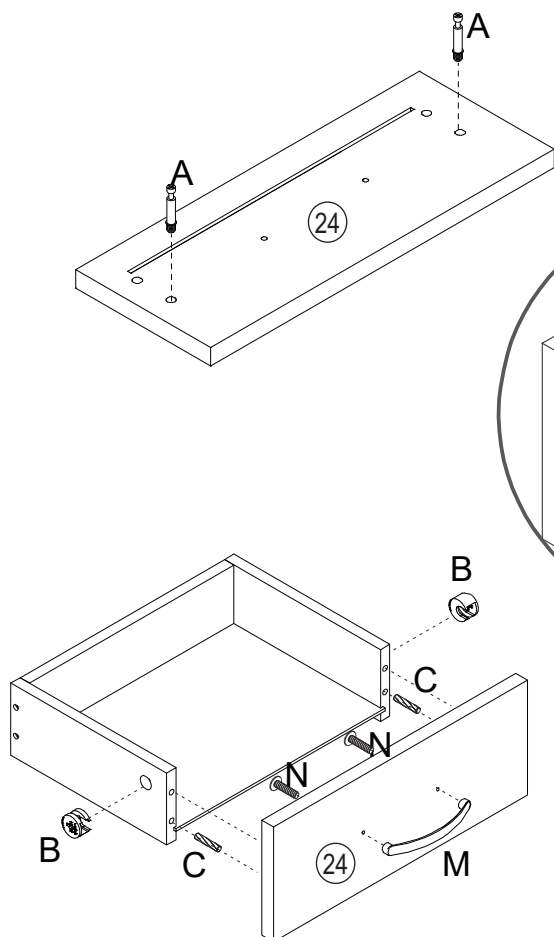


U x 42

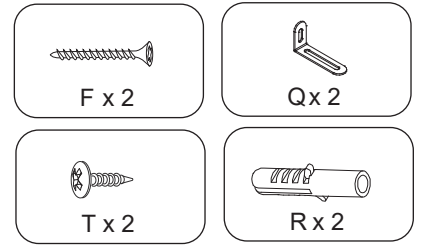
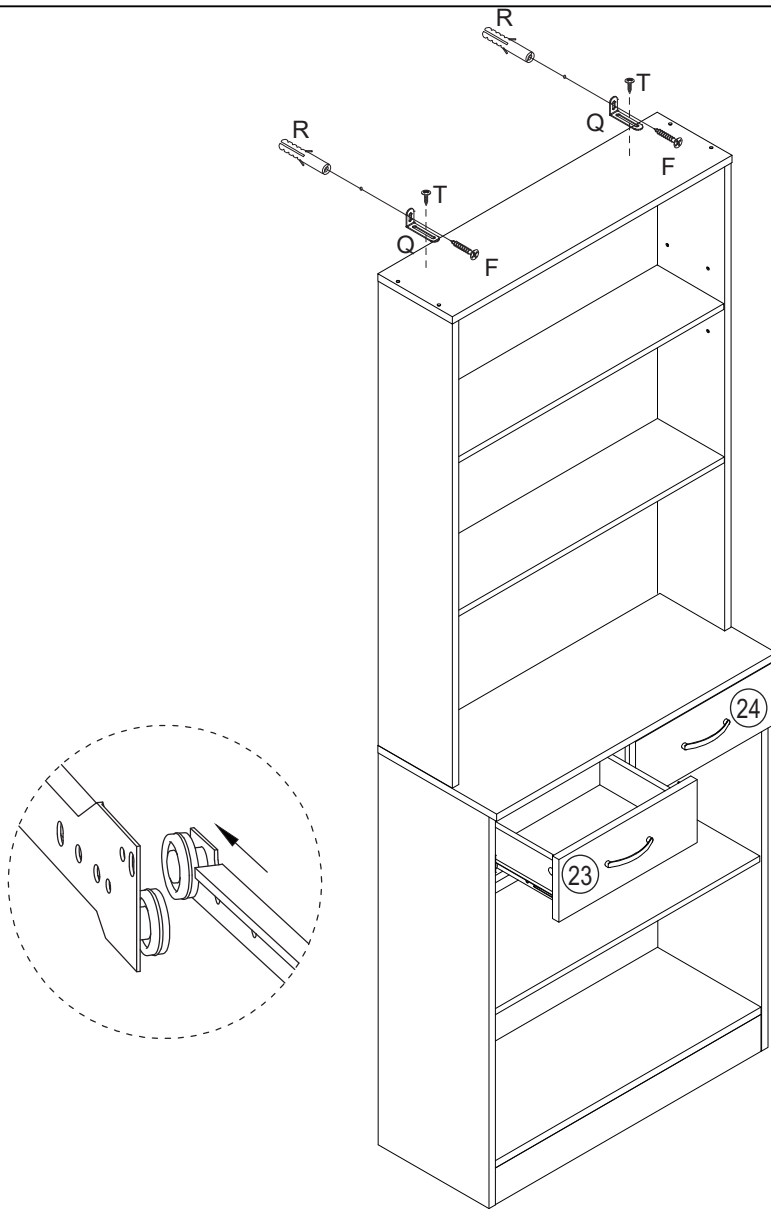
STEP 15



STEP 16

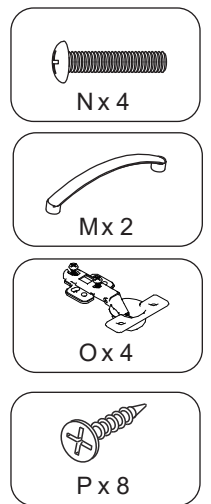
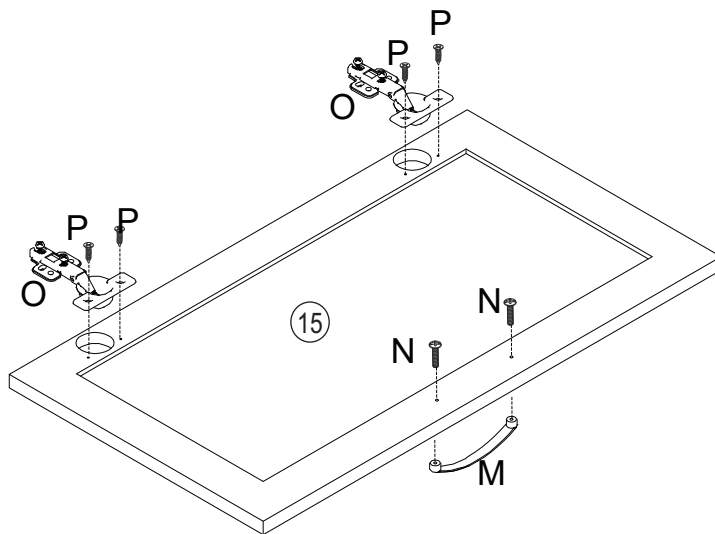


STEP 17

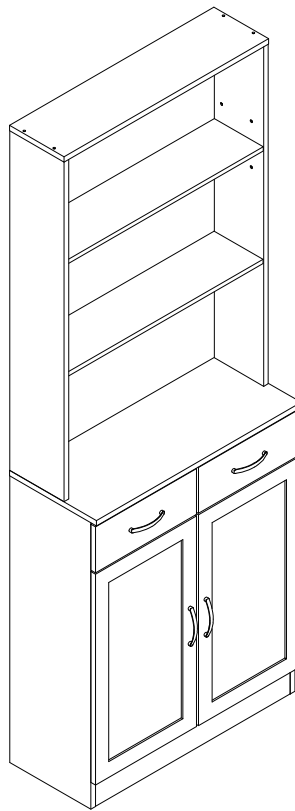
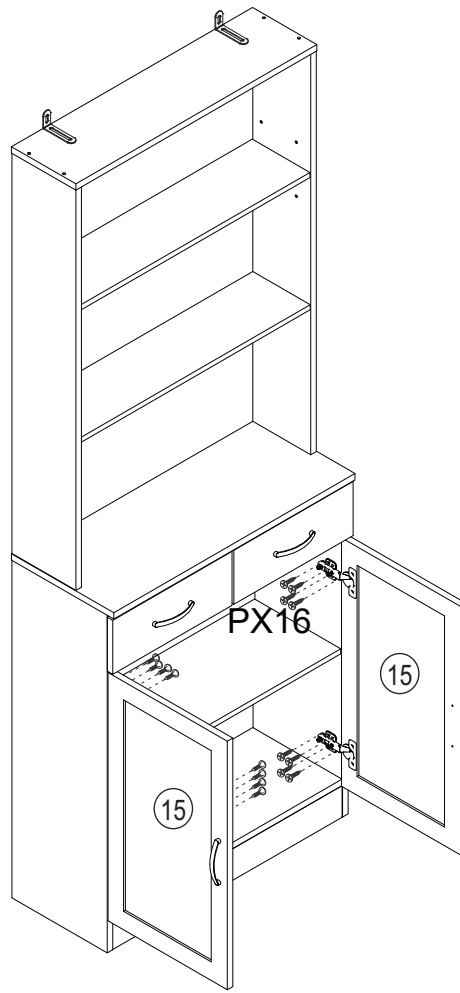
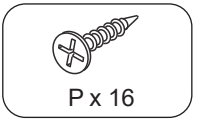


STEP 18

X 2



STEP 19



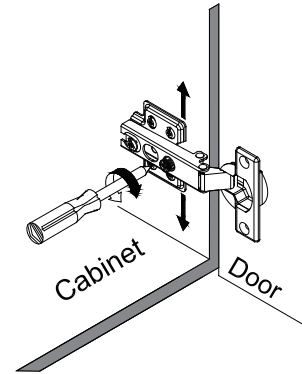
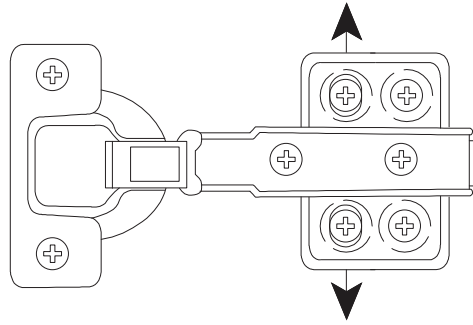
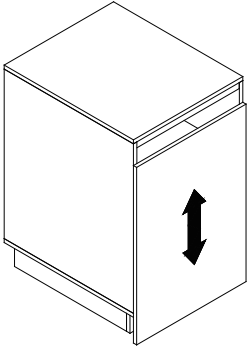
Attention: For safety and stability, we suggest you have to secure the anti-tip accessories to the wall to prevent tipping, injury, and property damage.

Installation Completed

Cabinet Door Adjustment Instructions

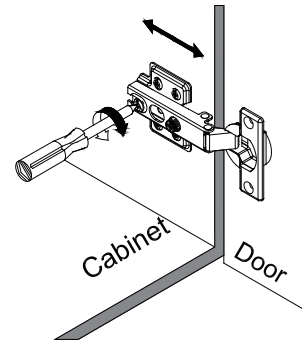
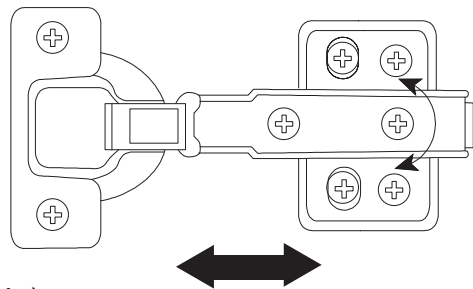
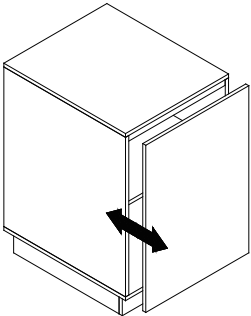
Height adjustment:

- Locate the height adjustment screws on the hinge.
- Use the Phillips screwdriver to either tighten or loosen the screws to raise or lower the cabinet door as desired.



Side-to-side adjustment:

- If the cabinet door needs to be moved closer to or away from the cabinet frame, locate the side-to-side adjustment screws on the hinge.
- Use the Phillips screwdriver to adjust these screws and gradually move the door in the desired direction.



Depth adjustment (if applicable):

- Check if the cabinet door needs to be brought closer to or further away from the cabinet frame.
- For depth adjustment, locate the depth adjustment screws on the hinge.
- Use the Phillips screwdriver to turn these screws clockwise or counterclockwise accordingly.

