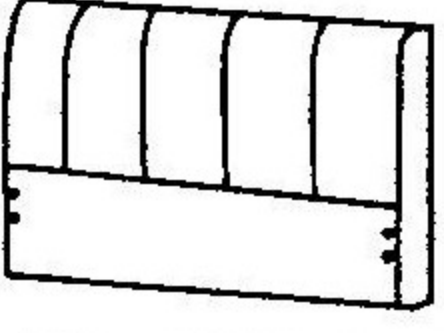
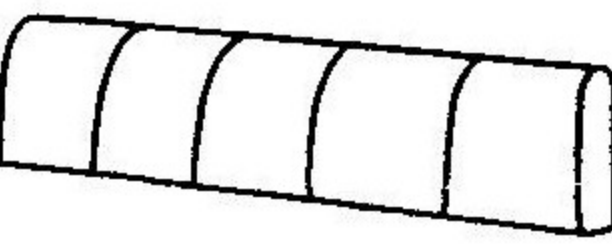
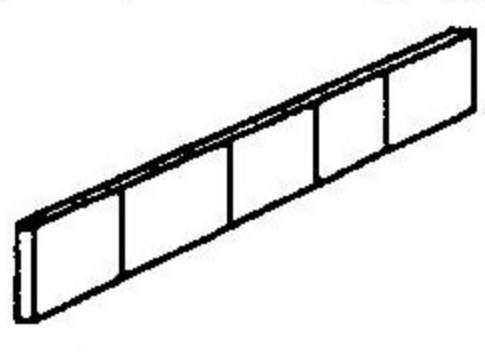
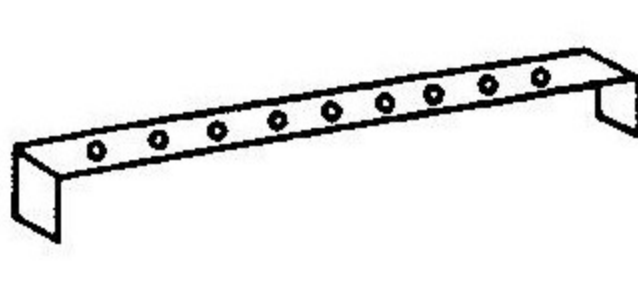
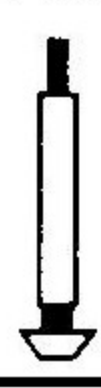
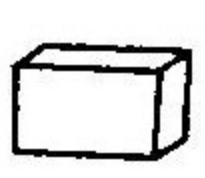
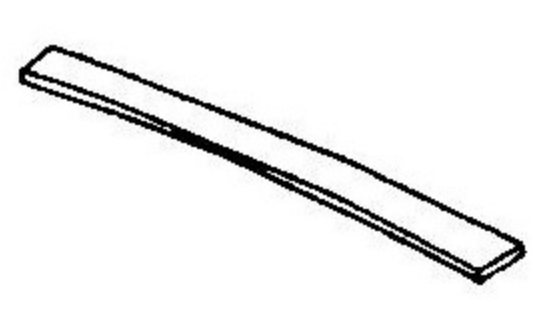


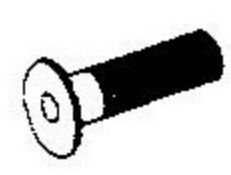
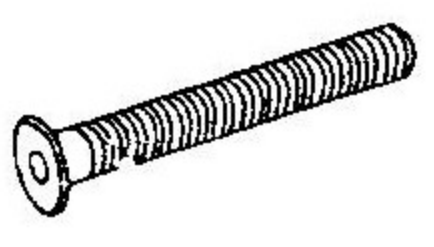
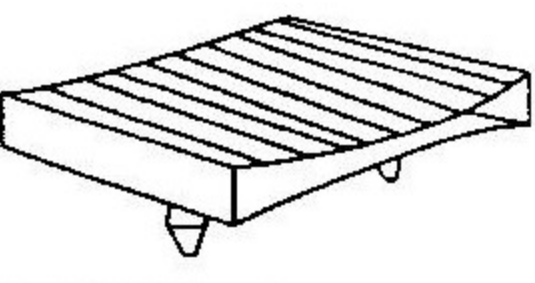
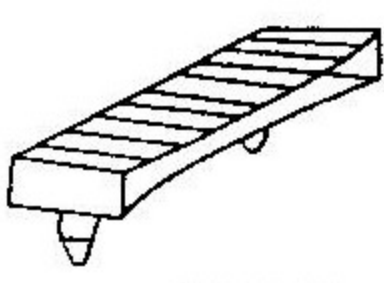


# Assembly Instruction

D.I.Y. Instruction Sheet 5" & 6"

## BED PART

(A)		Headboard - 1 pc
(B)		Footboard - 1 pc
(C)		Side Rail - 2 pcs
(D)		Centre Rail - 1 pc
(E)		Centre Support Legs - 3 pcs
(F)		Wood Leg - 4 pcs
(G)		Sprung Slat - 26 pcs

## HARDWARE LIST

①	 Can be found at head/Footboard	M8 x 20mm JCBB Bolt - 8 pcs
②		M6 x 50mm JCBC Bolt - 8 pcs
③		Middle Cap For Sprung Base - 13 pcs
④		End Cap For Sprung Base - 26 pcs
⑤		Allen Key (M5) - 1 pc
⑥		Allen Key (M4) - 1 pc

## Safety Advice

Please take the time to carefully read through the whole of these instructions before you commence.

Keep these instructions for future reference.

Unpack, inspect and check off all of the contents.

Please dispose of all packaging safely.

Small component parts could choke a child if swallowed.

We strongly recommend that you keep children well away from the work area.

It would be sensible to lay a sheet or blanket on the floor where you intend to work to avoid scratching this product and to protect your floor.

This product is heavy. Take extreme care when lifting to avoid personal injury or damage to the product.

Assemble the product as close to its intended final position in the room as possible.

**HANDY HINT:** If you keep the hardware in a bowl during assembly you will be less likely to lose them.

**STEP 1.**

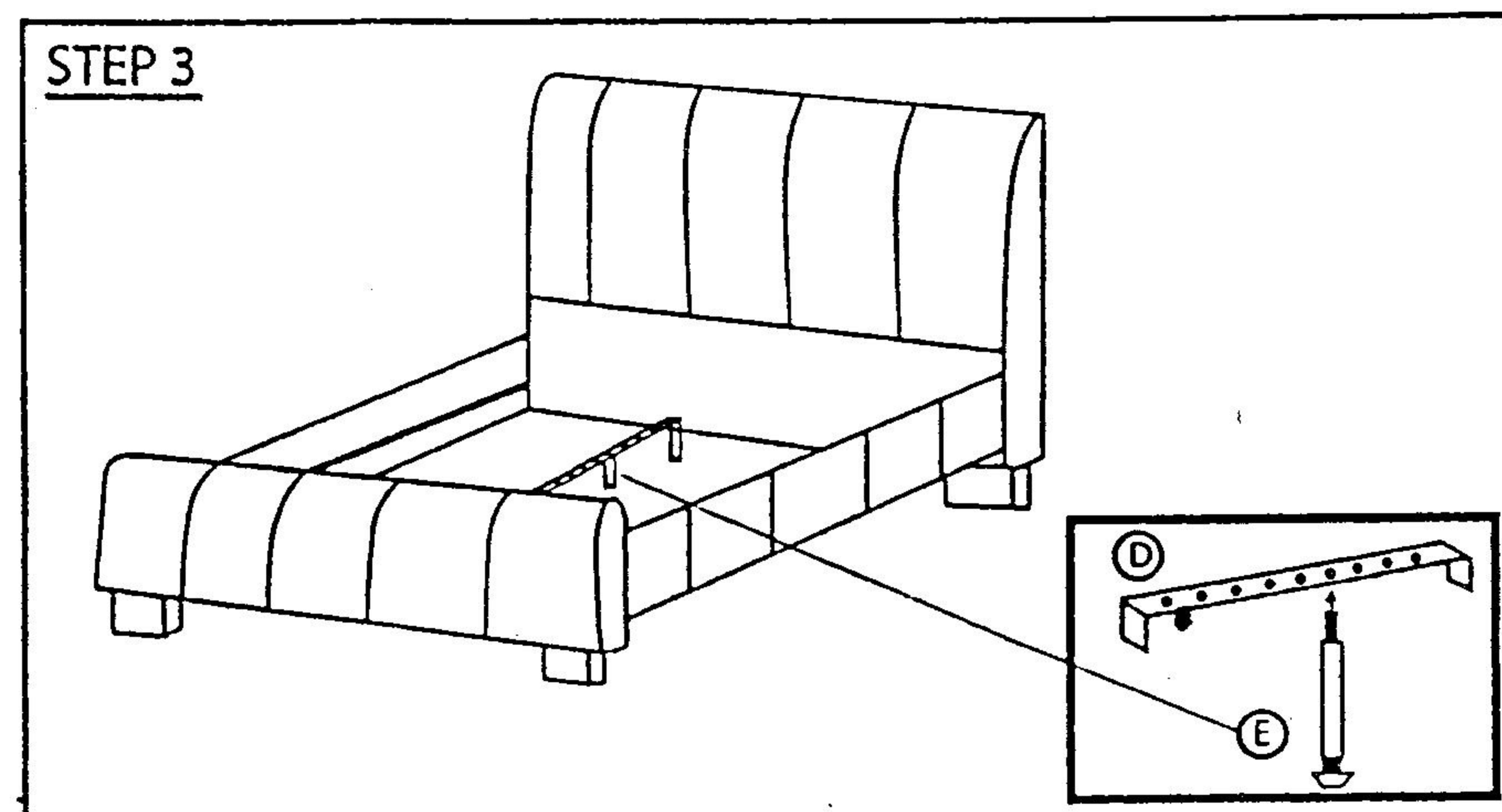
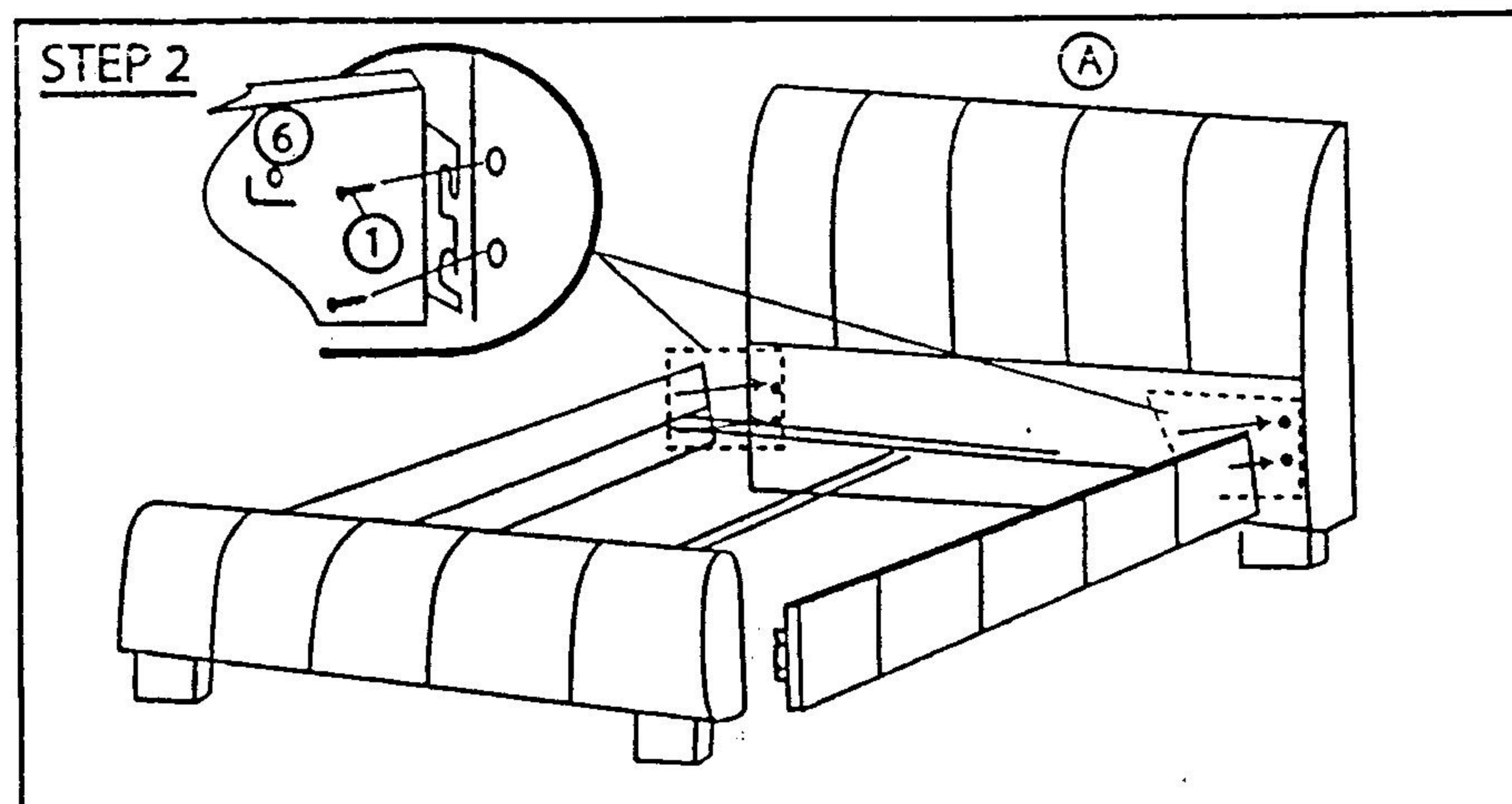
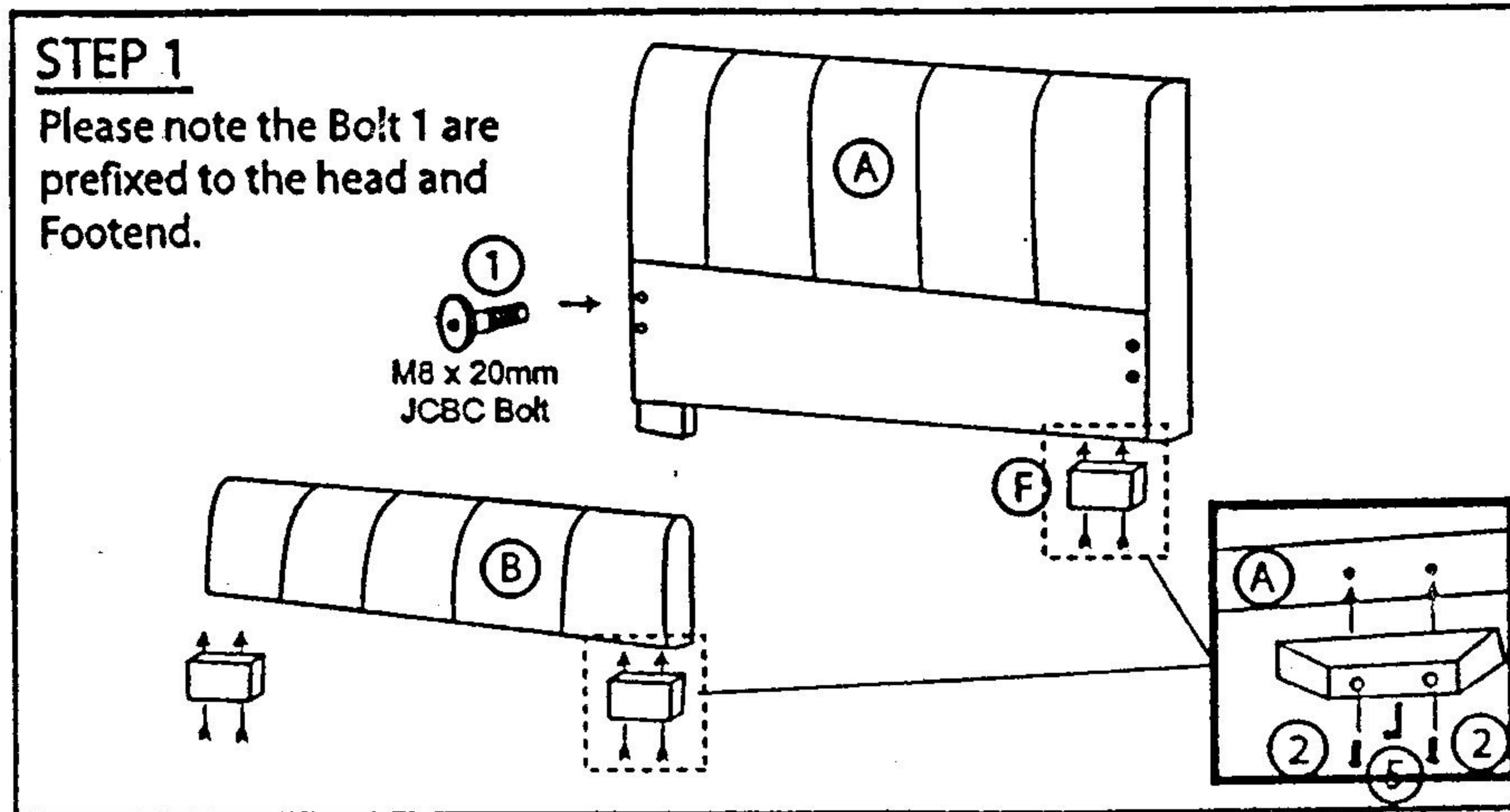
Fix the leg (F) to the headboard (A) and footboard (B) by using M6 x 50mm JCBC Bolt (2), then use M5 Allen key (5) to tighten it.

**STEP 2.**

Loosen the bolt (1) on headboard and footboard before hook the side rail use Allen key M4 (6) to tighten. But please do not tighten before all part ready to assemble. Hook the side rails (C) to headboard and footboard.

**STEP 3.**

Take the centre support legs (E) screw in to the centre rail screw in all 3 of them.

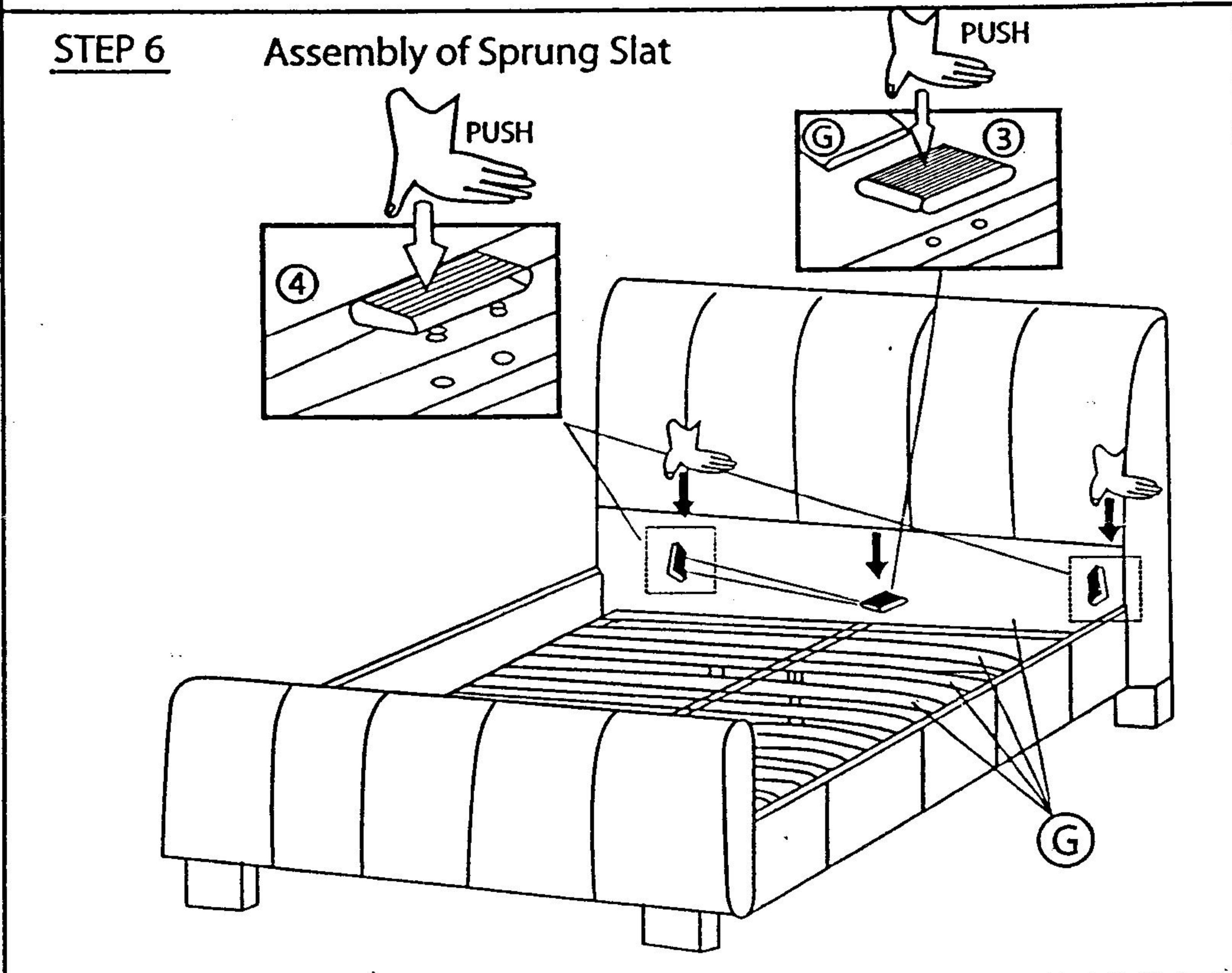
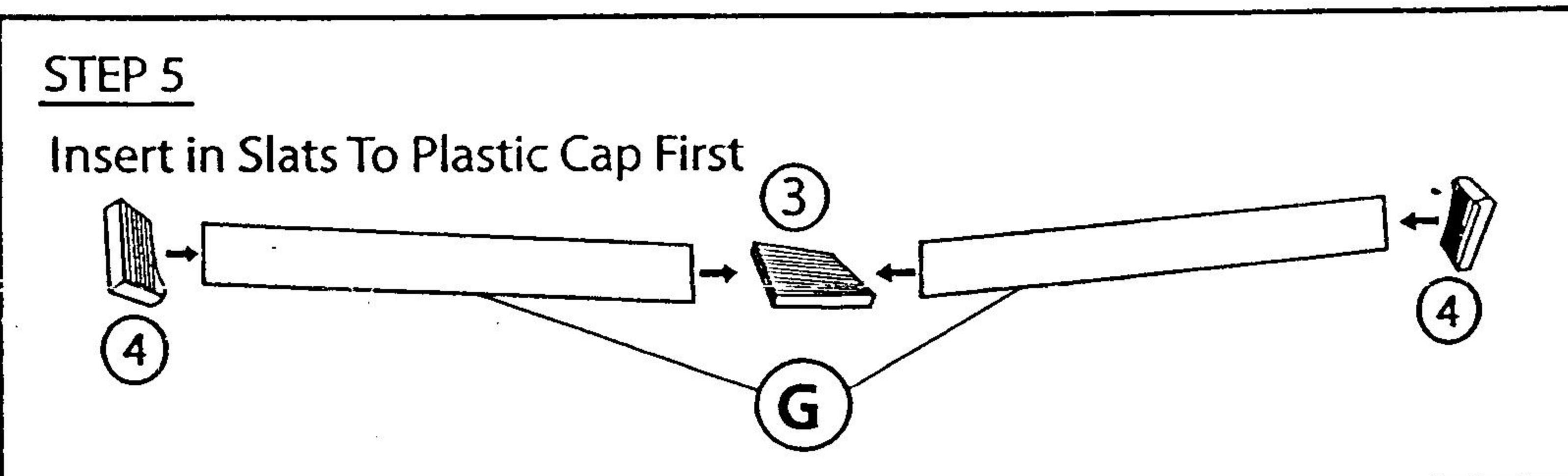
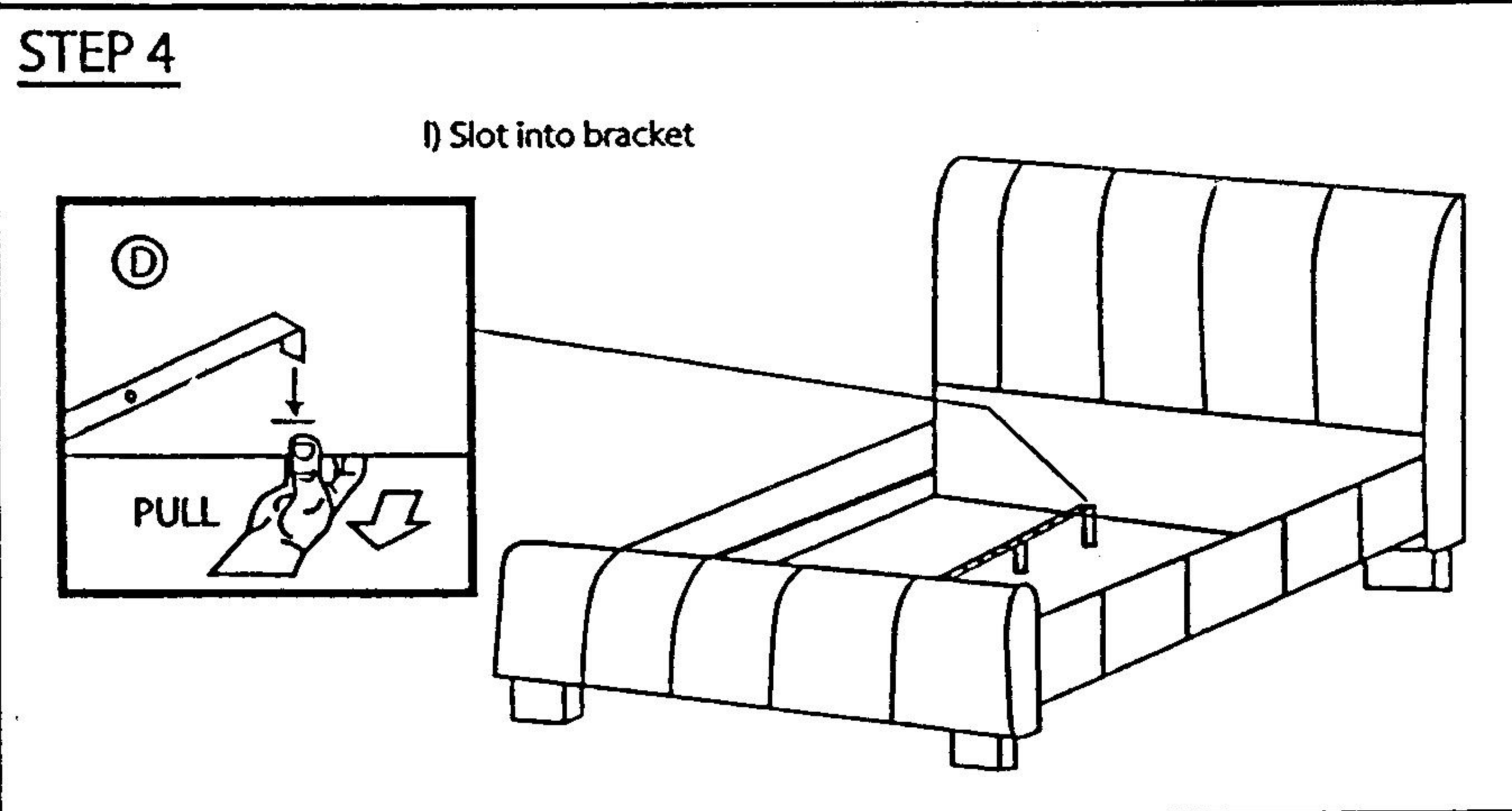


**STEP 4.**

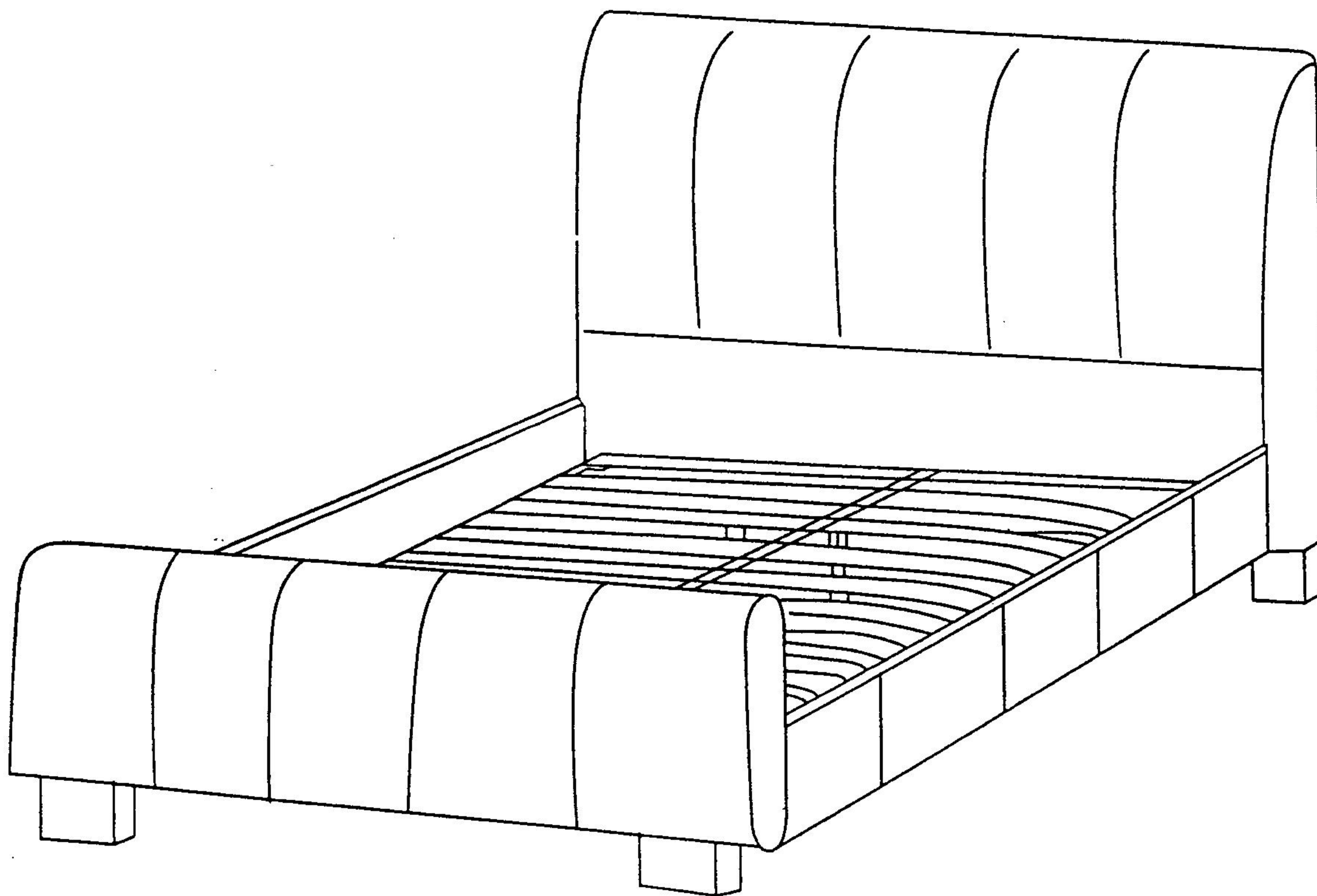
Hook the Centre Rail (D) into the bracket. Adjust the height of centre support legs for balance but leave 5mm away from the floor.

**STEP 5.**

Insert the slat (G) to the end cap (4) then the middle cap (3) and then insert another slat (G) to the middle cap (3) and then the end cap (4). Push the cap into the holes on all. Do the rest the same.



# COMPLETED VIEW



## URGENT WARNING

### ASSEMBLY INSTRUCTION FOR CENTRE SUPPORTLEGS

When correctly adjusted the centre support legs on this product should be raised by 5mm from the floor with the added weight of the mattress and bedding

This bed will FAIL if is used on a wooden floor WITHOUT the use of non slip rubber pads on all support legs and bed posts (non provided)

If the bed is to be moved, carefully lift the product rather than dragging to ensure that the centre legs do not become twisted and buckle

