
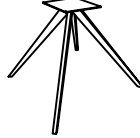


ASSEMBLY INSTRUCTION FOR ACME FURNITURE


MODEL#DN02403

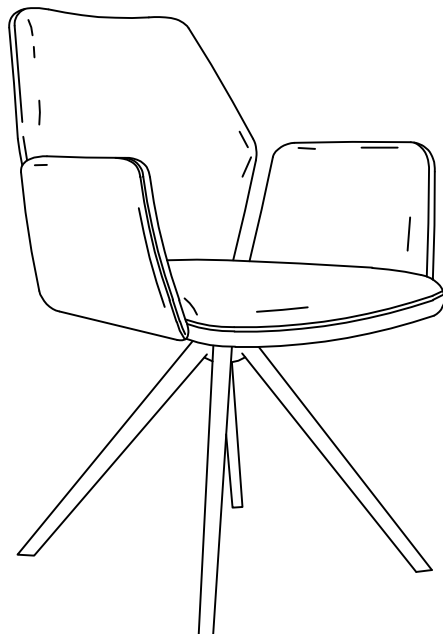
Thank you for purchasing the quality product. Be sure to check all packing material carefully for small parts which may have come loose inside the carton during shipment. Separate, identify and count all parts and metal hardware. Compare with all parts list to be sure all parts are present. If any part(s) are missing or damaged, please contact your local furniture dealer. For efficient and speedy service, please indicate the model number and code letter or part(s) needed.

Do not fully tighten screws until fully assembled

Assembly Parts Desc.			
DESCRIPTION	PART NAME		QTY (PCS)
1	Seater		1
2	Metal Leg		1

HARDWARE REQUIRED

A		JCBC Bolts	M6x20mm	4 pcs
B		Spring Washer		4 pcs
C		Flat Washer		4 pcs
D		Allen Key	M4x65mm	1 pc

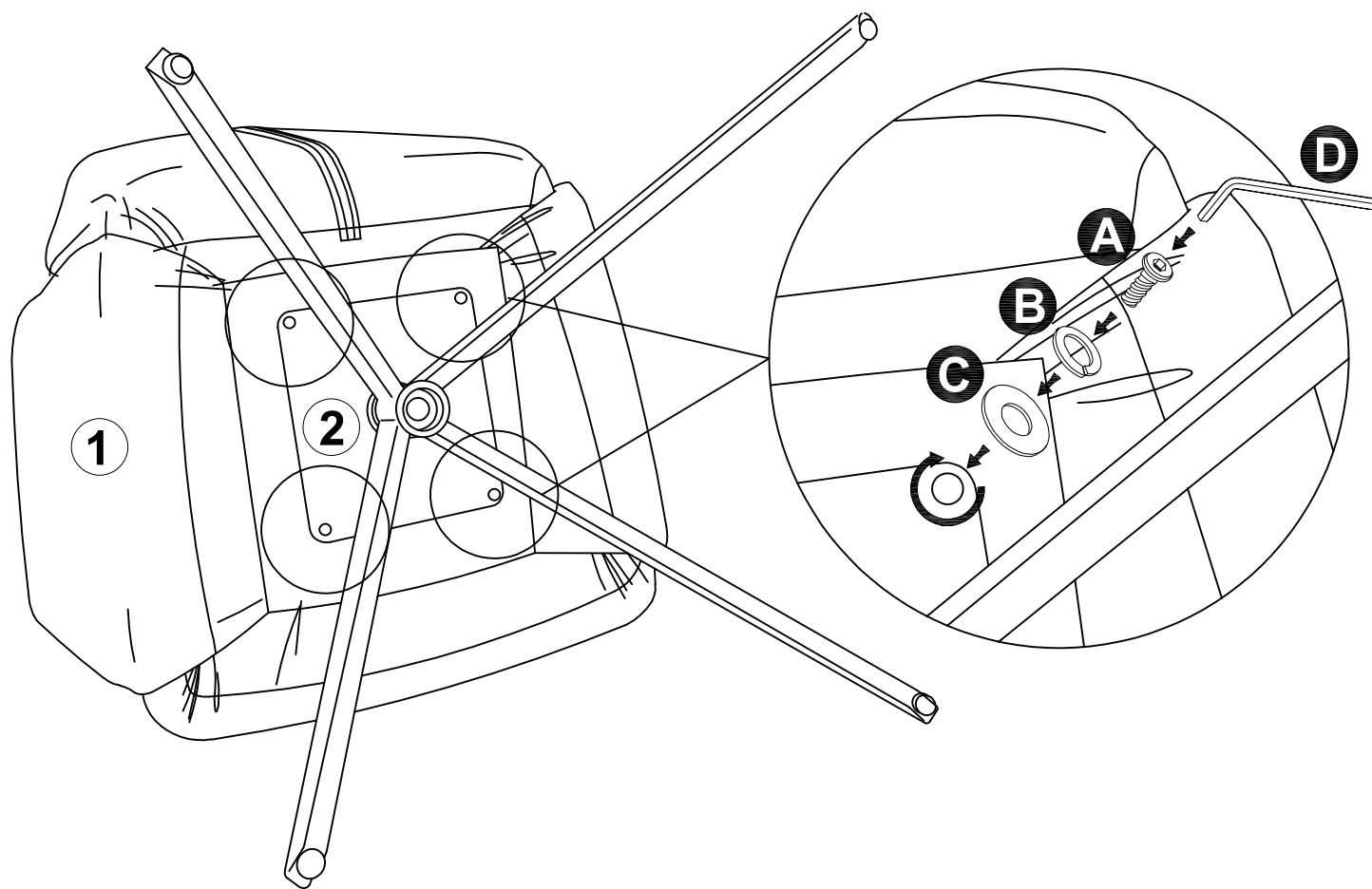


Attention

***Some number parts listed on the instruction sheet may not be in parts bag as they may already be assembled. Carefully check parts and packing materials prior to ordering replacements.

How to assemble:

STEP 1



Assembly:

Place the metal leg (2) on to the bottom of the upholstery that you are building. Make sure the hole on the metal leg (2) aligns with the hole on the bottom of seater (1). Tighten the metal leg (2) with the bolt (A), spring washer (B) and flat washer (C) by using the allen key (D).