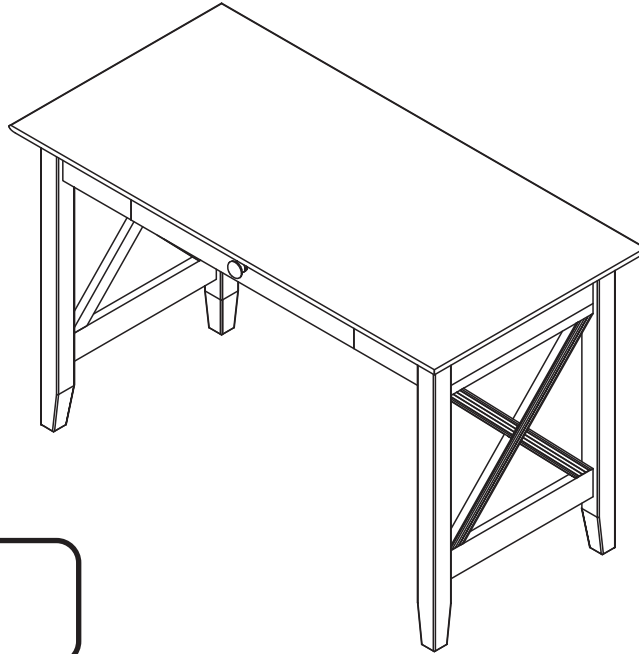
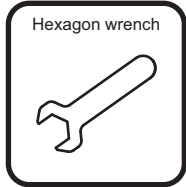


DESK WITH DRAWER

ASSEMBLY INSTRUCTIONS

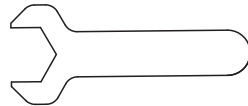
Before assembling your Desk, please read through these instructions carefully and familiarize yourself with the different parts.



CODE	ITEM
------	------

NOTE: WE INCLUDE SPARE HARDWARE IN CASE DAMAGE OCCURS DURING ASSEMBLY.

A Flat washer - 8 pcs
Spare - 2 pcs



C Hexagon wrench - 1 pc

D Wooden dowel - 4 pcs
Spare - 1 pc



B Hexagon nut - 8 pcs
Spare - 2 pcs



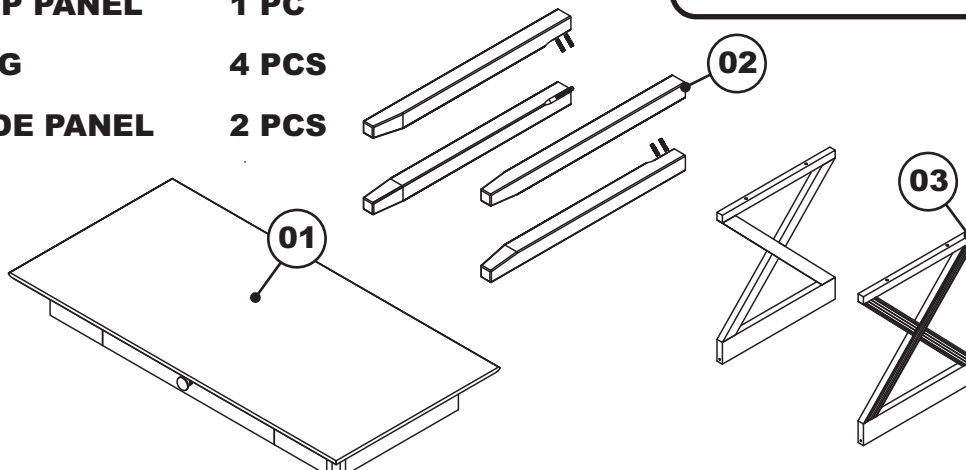
E Wood screw - 4 pcs
Spare - 1 pc



PARTS LIST

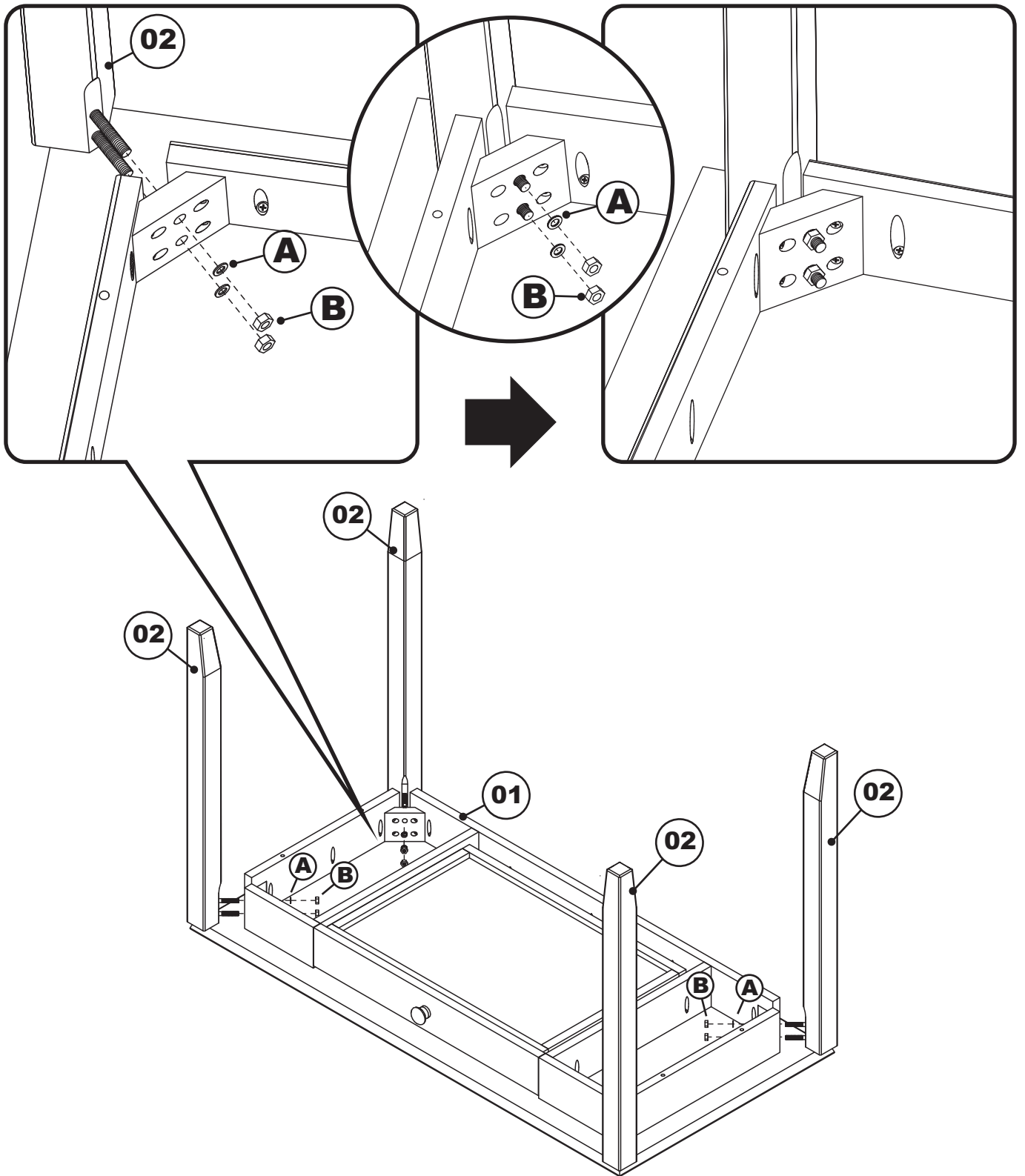
- 01** TOP PANEL 1 PC
- 02** LEG 4 PCS
- 03** SIDE PANEL 2 PCS

PO:

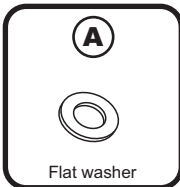


STEP 1

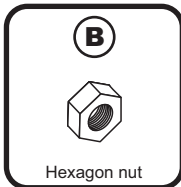
Attach the legs (02) to the top panel (01) using flat washers (A) and hexagon nuts (B), tighten with hexagon wrench (C), as shown below.



Adult assembly



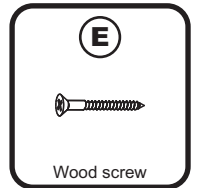
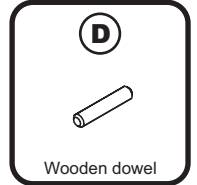
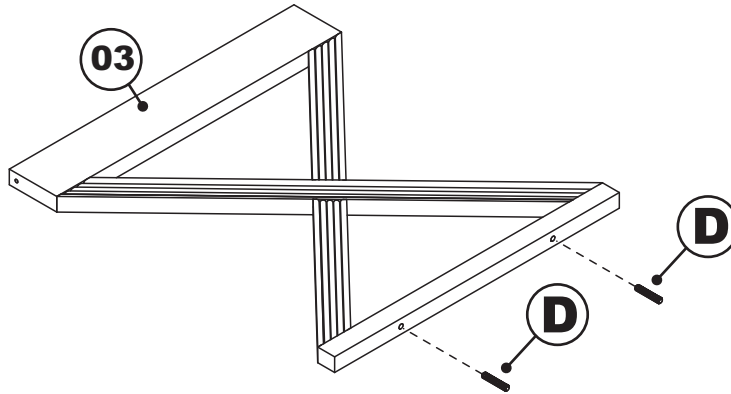
Flat washer



Hexagon nut

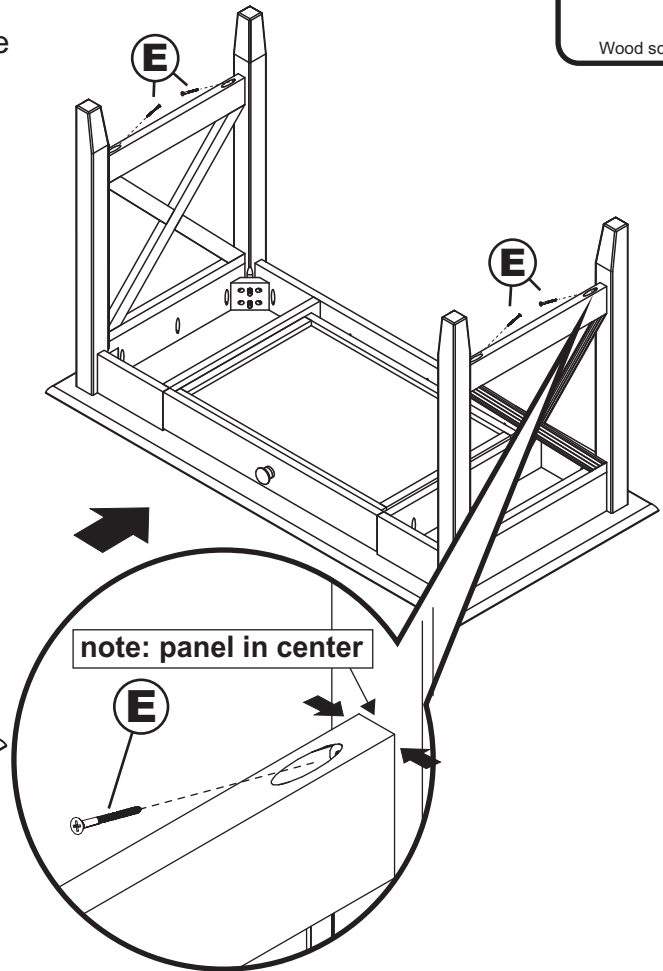
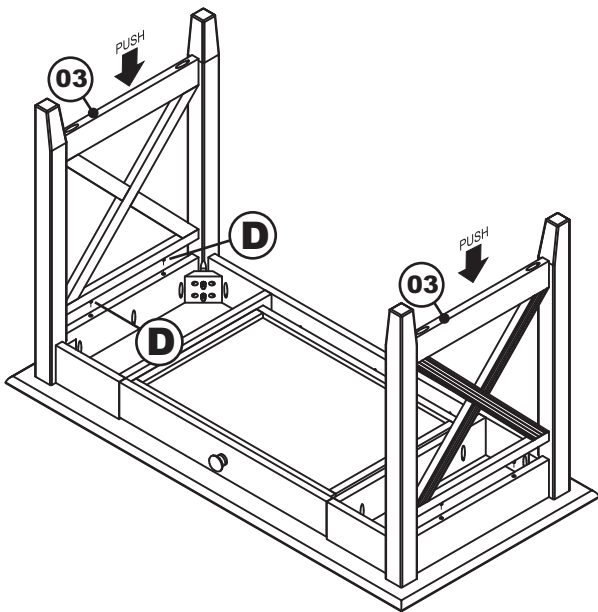
STEP 2

Install wooden dowels (D) into the locator holes on (03) as shown below. Repeat with the other panel.



STEP 3

Attach side panels (03) to desk aligning the dowels (D) with the holes in the apron. Be sure the panel is centered before tightening the wood screw (E).



Congratulations!

Your Desk is now ready for use.

To ensure lasting safety, we recommend that you periodically check that all screws are tight and all parts are secure.