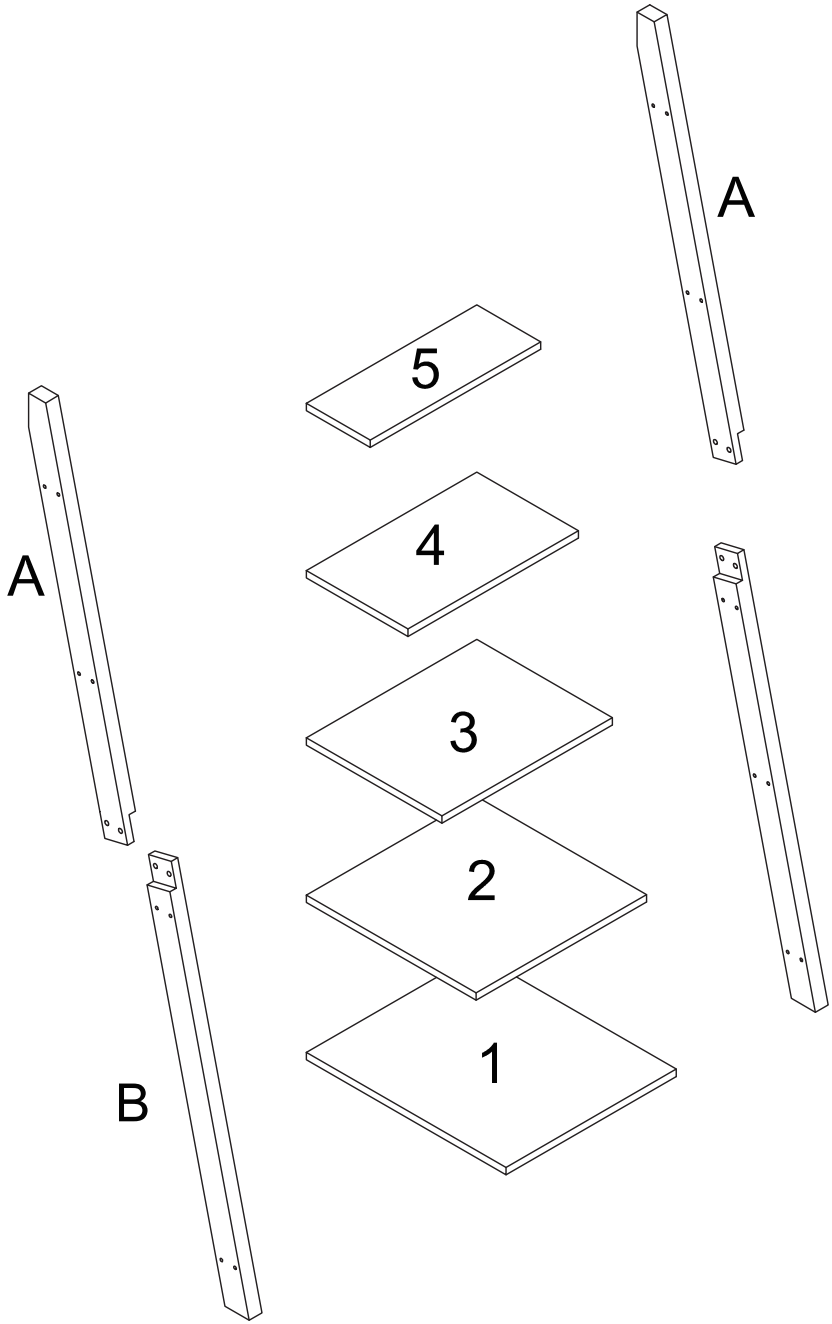


# USER'S MANUAL

## Ladder Shelf

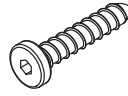




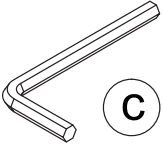
**a** M6\*12 x4



M6\*10 x4

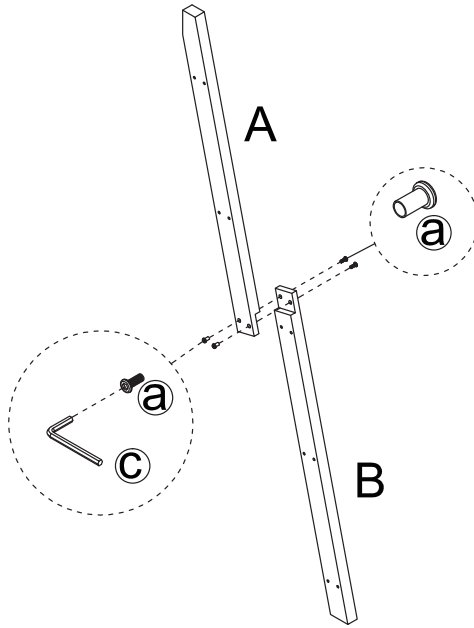


**b** M6\*30 x20

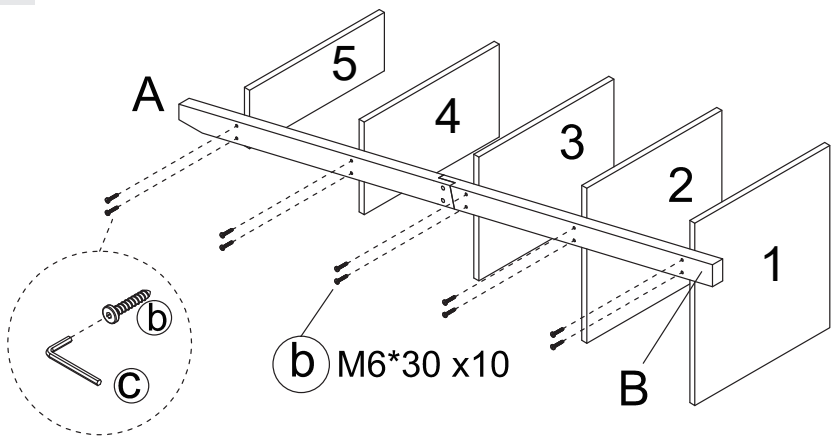


**c** x1

**1**



**2**



**3**

