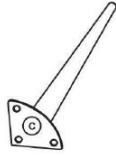


ASSEMBLY INSTRUCTIONS

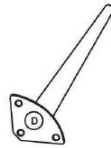
B x1



C x2



D x2



E x12



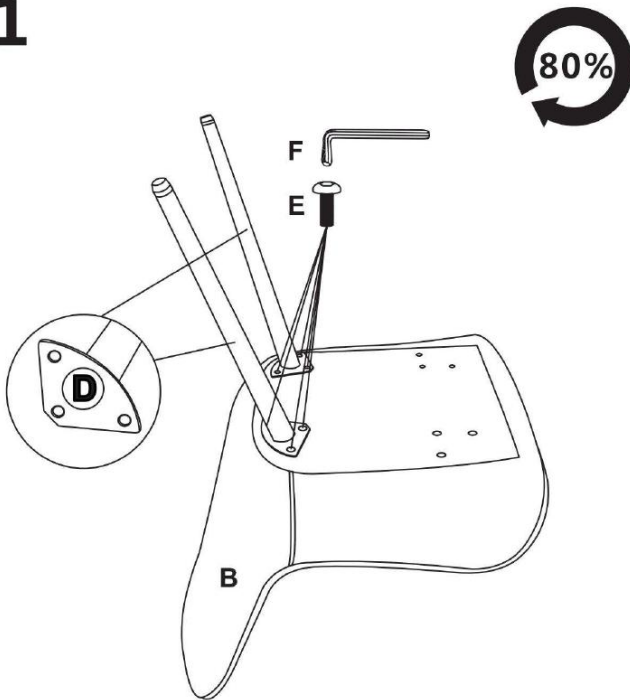
M6x20mm

F x1



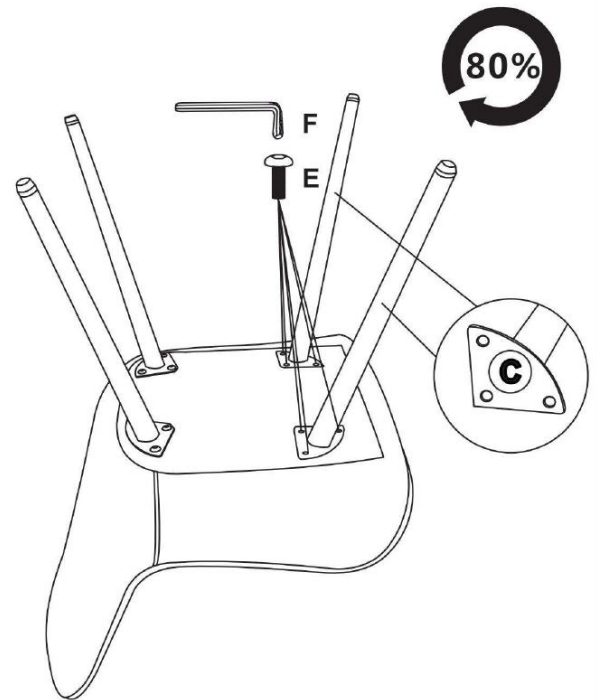
M6

1



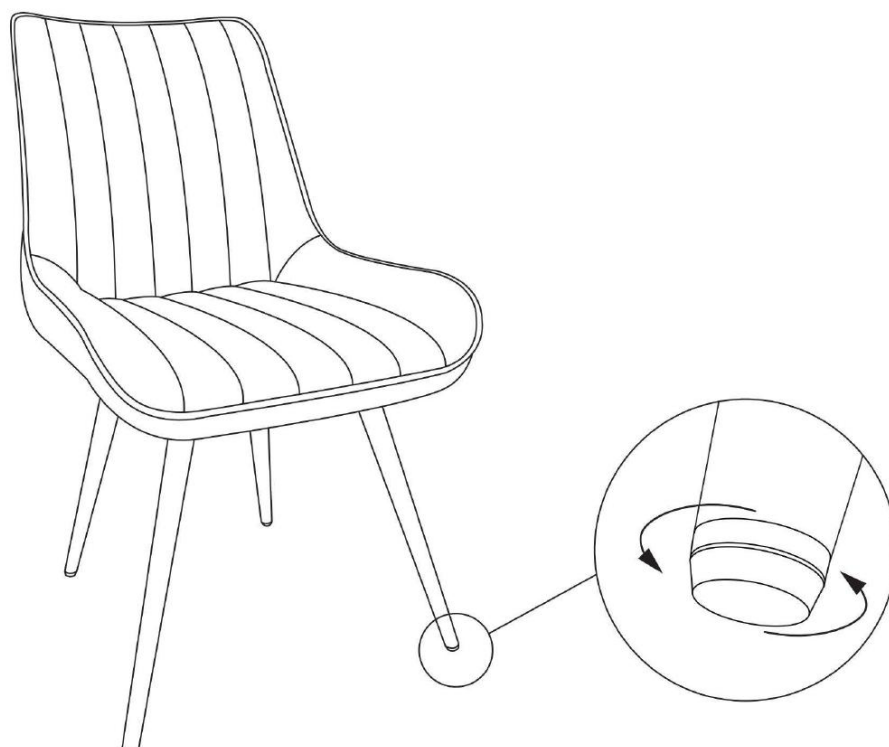
Attention: All the screws in, and then tighten them.

2



Attention: All the screws in, and then tighten them.

3



Tips: 1. If the product lacks any accessories or the product has any quality problems, please contact us in time, we will give you a satisfactory answer in time. 2. The installation steps are for reference only. Please refer to the actual arrival. Please pay attention to safety during the installation process. Welcome to visit next time.