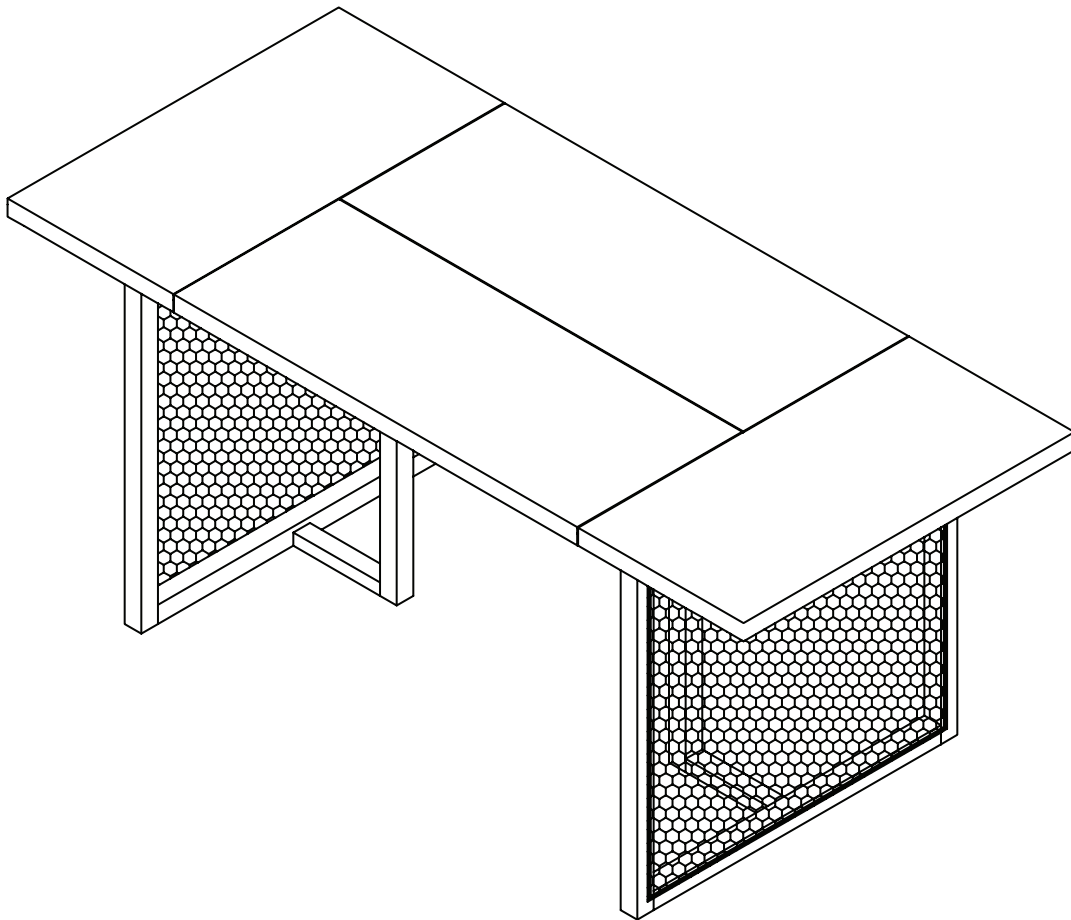


Let's build the

Willow Dining Table

SKU 41301



Scan me!

Free Lifetime
Warranty

nathan james

25-0606-VN

Ok, let's get rolling

This should be easy, just follow our instructions and you will be back to Netflix in no time.

Estimated time for assembly



20:00

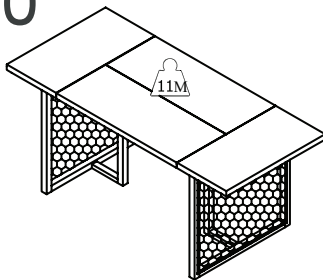
What you need

- Some of your favourite bubbly or your preferred relaxant
- Use the packaging carton as a working surface to prevent product damage during assembly

Weight Limitation



110
lbs



Toll-free at 1-866-619-1004
Help@nathanjames.com
Nathanjames.com/help

What's included

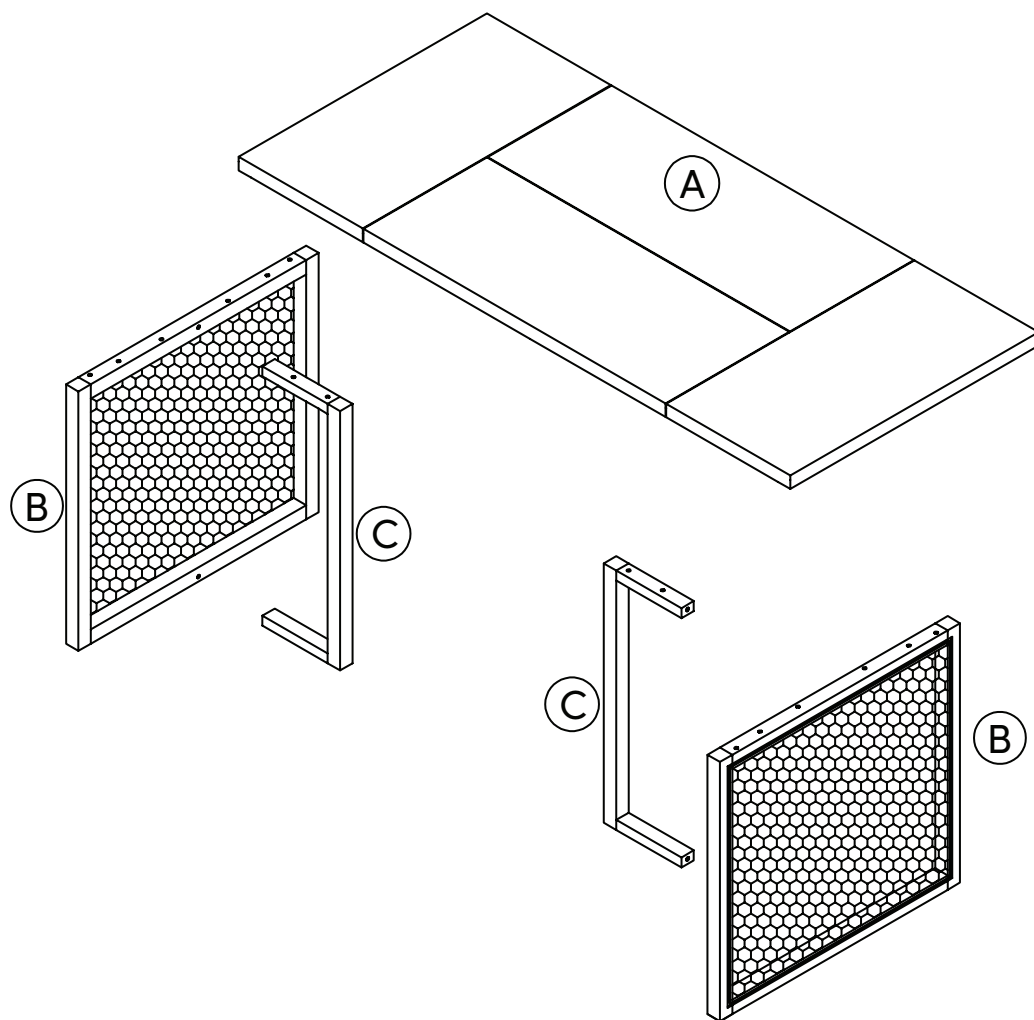
Description	Qty
A Tabletop	1
B Main Leg Frame	2
C Leg Frame Support	2
1 Ø1/4 x 50mm Hex Button Head Bolt	16
2 Ø1/4 x 10mm Spring Washer	16
3 Ø1/4 x 13mm Flat Washer	12
4 Ø1/4 Crescent Washer	4
5 Allen Key	1
6 Wooden Dowel Ø10x30mm	4
7 Adjustable Levelers (extra)	4

Scan me!

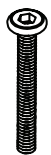
Free Lifetime
Warranty



The goods



1



2



3



4



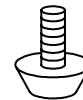
5



6



7



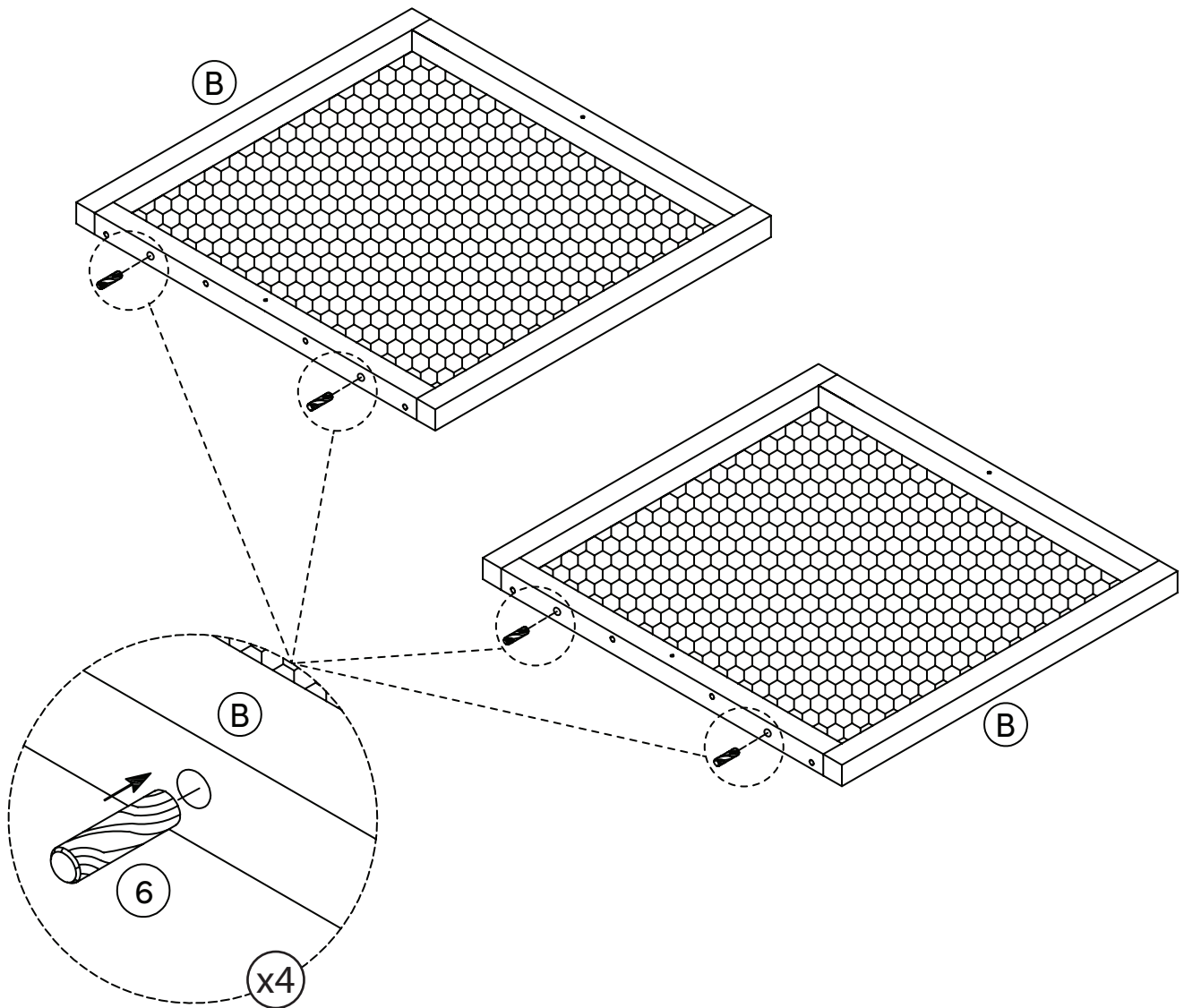
IMPORTANT

1. Do not tighten bolts / screws completely until all bolts / screws are lined up and inserted into holes.
2. Do not over tighten screws and bolts to avoid stripping.
3. Please use hand tools to assemble this product. Do not use power tools.

Step 1

⑥  x4pcs

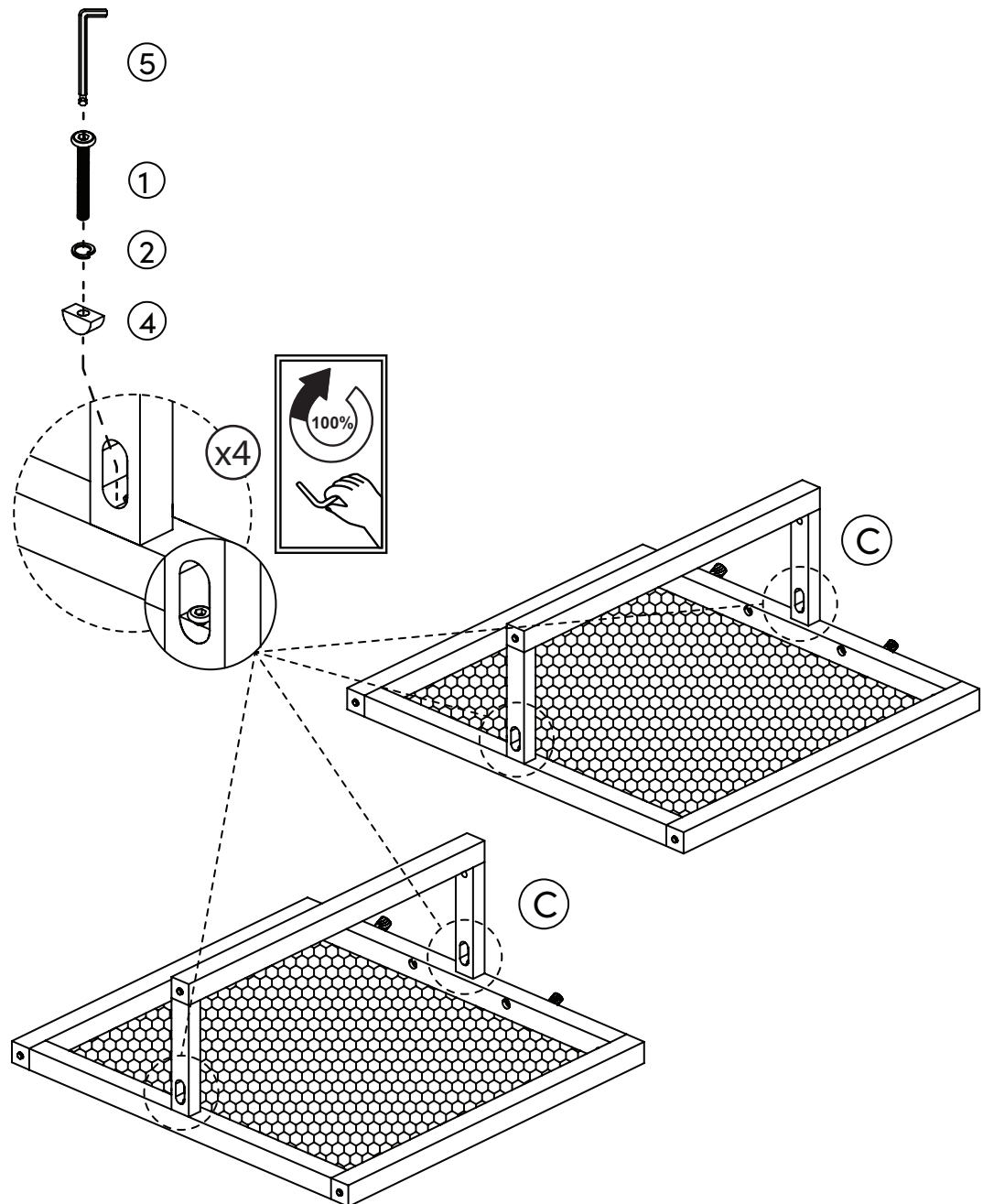
Your highly anticipated dining table has arrived, let's get this thing started! Start by laying out the Main Leg Frames (B) on a soft surface or towel to prevent scratches. Insert the Wooden Dowels (6) into their corresponding holes.



Step 2



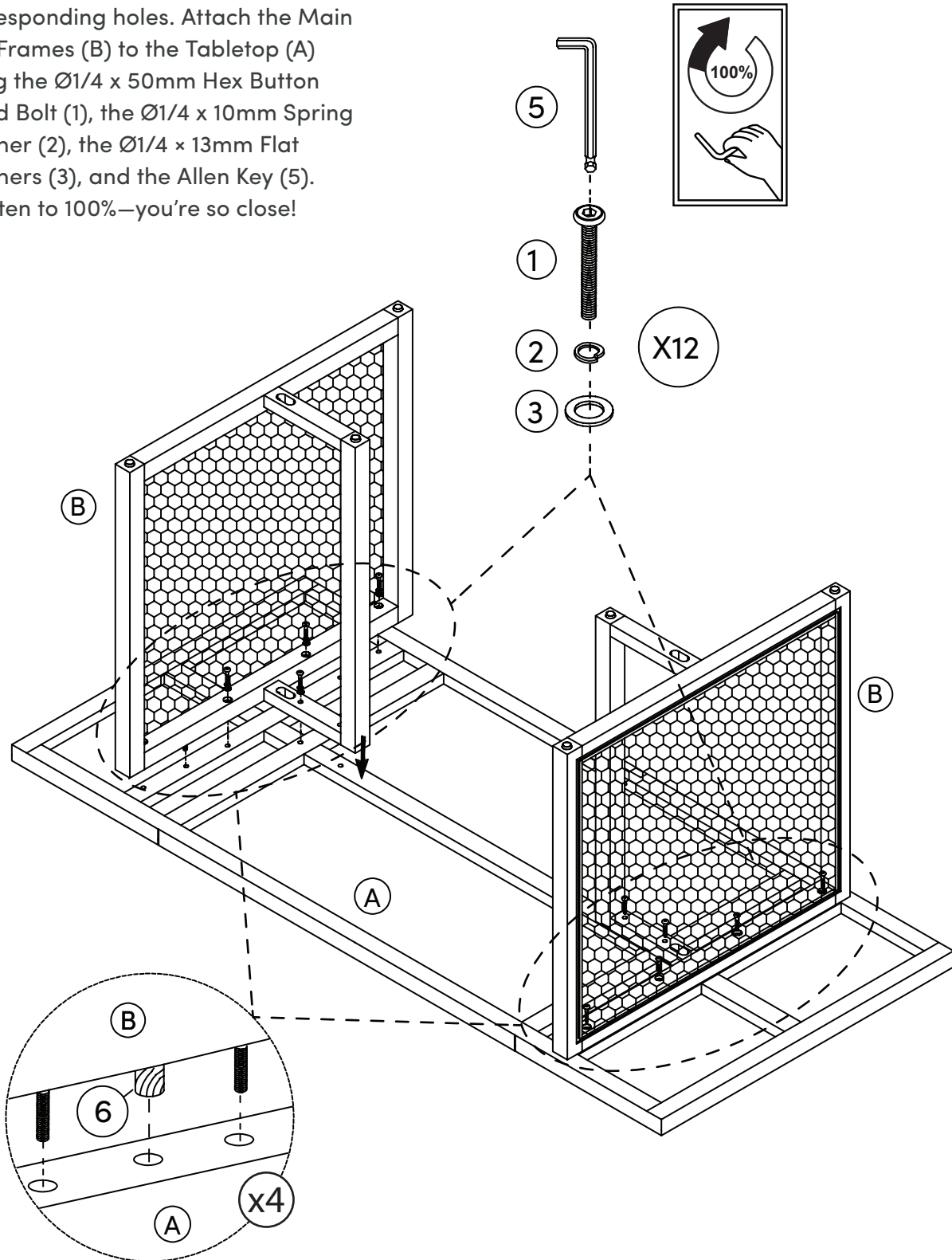
Now it's time for some assembly action! Take the Leg Frame Supports (C) and attach them to the Main Leg Frames using the $\text{Ø}1/4 \times 50\text{mm}$ Hex Button Head Bolt (1), the $\text{Ø}1/4 \times 10\text{mm}$ Spring Washer (2), the $\text{Ø}1/4$ Crescent Washers (4), and the Allen Key (5). Tighten everything to 100%—you've got this!



Step 3

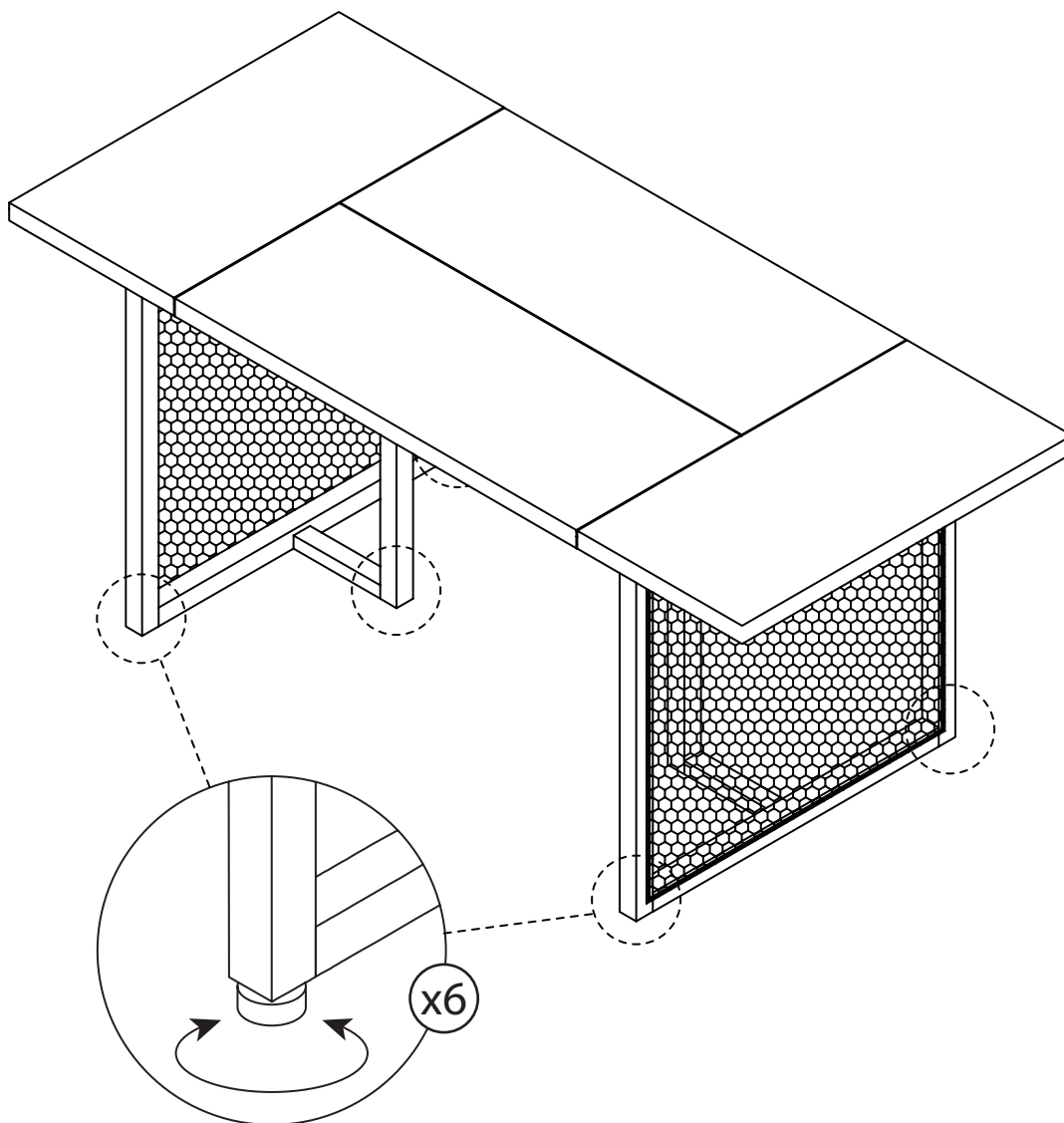
- ①  x12pcs
- ②  x12pcs
- ③  x12pcs

We're almost done! Make sure to line up the Wooden Dowels (6) with their corresponding holes. Attach the Main Leg Frames (B) to the Tabletop (A) using the $\text{Ø}1/4 \times 50\text{mm}$ Hex Button Head Bolt (1), the $\text{Ø}1/4 \times 10\text{mm}$ Spring Washer (2), the $\text{Ø}1/4 \times 13\text{mm}$ Flat Washers (3), and the Allen Key (5). Tighten to 100%—you're so close!



Step 4

If things are feeling wobbly or unlevel, just rotate the foot pads until the table feels sturdy. Congratulations, you've done it—your dining table is complete! Now, how about celebrating with a pizza? You've earned it!



Wobbly or unlevel?

Adjust feet until stable!

No heartburn, when we handle the return

Give us a call **1-866-619-1004** or shoot us a message at **help@nathanjames.com** we will issue you a free replacement with **zero hassle**.

Our way



Give us a call



Replacement



You

Their way



Re-package item



Schedule pick up



Track package



Replacement



You

We really don't want you to go through the hassle of re-packaging your item and sending it back, because let's be honest...nobody has time for that.

Safety first, fun later

We want your product to last as long as possible, so we recommend that you tighten the screws 2 weeks after assembly and for added safety check the tightness of all screws every 2 months.

For proper care and treatment, please check our website at NathanJames.com/products

Safe use of this product starts with you.

Use this product responsibly with the primary concern for your safety. Follow assembly instructions carefully and inspect product upon receipt and each use.

Nathan James and its parent companies cannot be held legally responsible for any injuries or death resulted from failure to follow instructions or improper use of this product.

Do not modify the structure of this product in any way.

Our products have been tested to meet specific safety measures as they were originally intended to be sold. Any modifications will present the risk of creating significant safety issues which NJ will not be responsible for.

Proper use

- DO NOT** use for commercial purposes
- DO NOT** frolic on table
- DO NOT** use table as foot stool
- DO NOT** leave spilled liquid on table
- DO NOT** use table if damaged
- DO NOT** make temporary repairs
- DO NOT** use outdoors

We are only in business if you're happy

For starters, thanks for being you.

☎ Toll-free at 1-866-619-1004

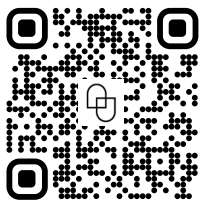
✉ Help@nathanjames.com

🌐 NathanJames.com/help

We do our best to ensure your furniture arrives without any problems, but occasionally mistakes happen—as humans we are imperfect beings. In the event that a part is damaged or missing, we will be more than happy to provide you with replacement part(s) for free.

Warranty

This product comes with a lifetime warranty from the date of purchase. Please use your phone to scan the QR code to register your product or visit <https://goo.gl/i9dk3q>



Did we do alright? Please spread the love!

If you are happy with your product, tell your friends and family about us or even better leave us a review online. Spreading the word gives us the opportunity to make more people happy and keep our prices low for your next purchase.

Brooke Burdon

Founder, Nathan James