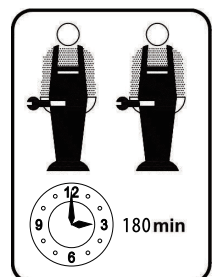
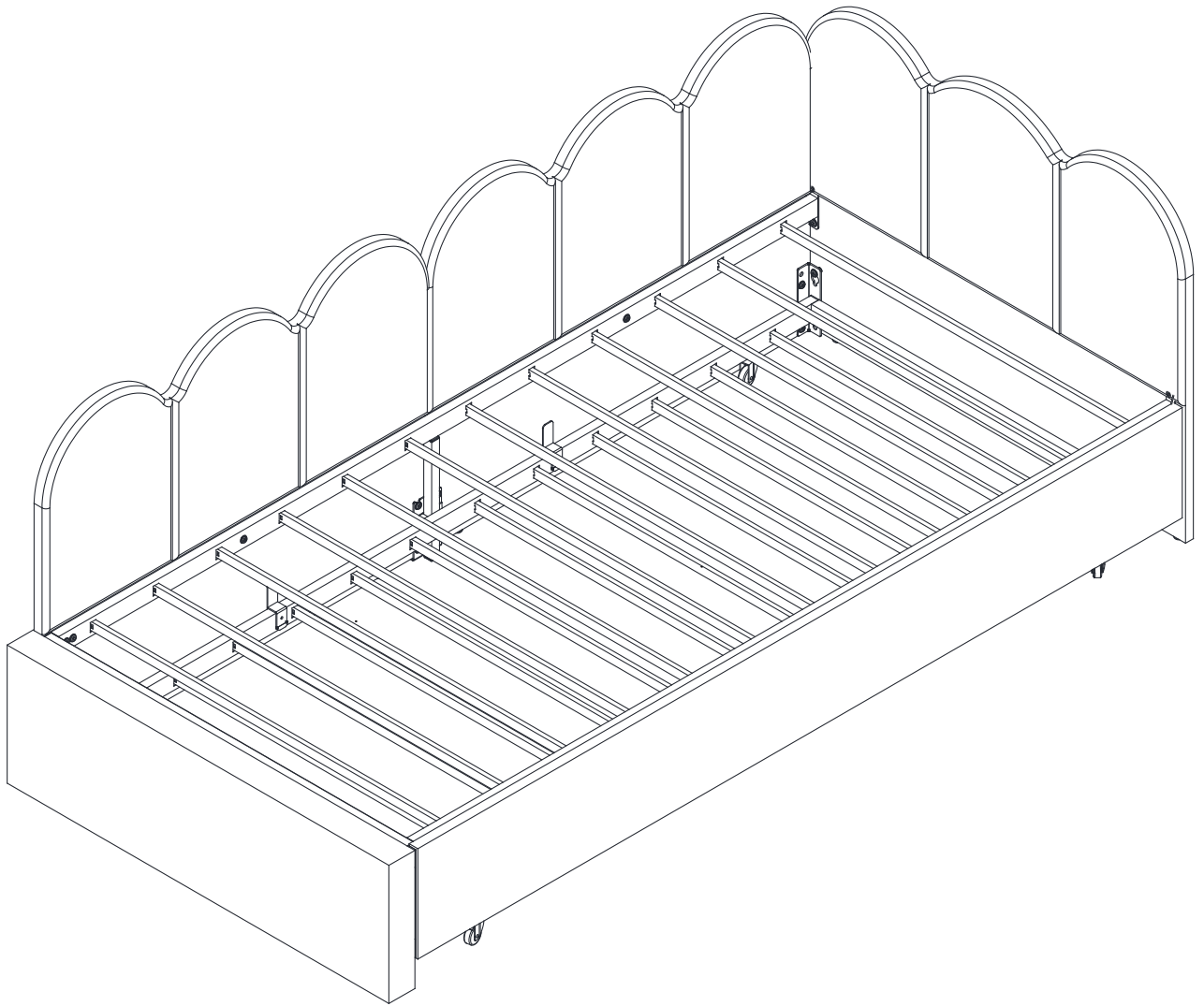


ASSEMBLY INSTRUCTION

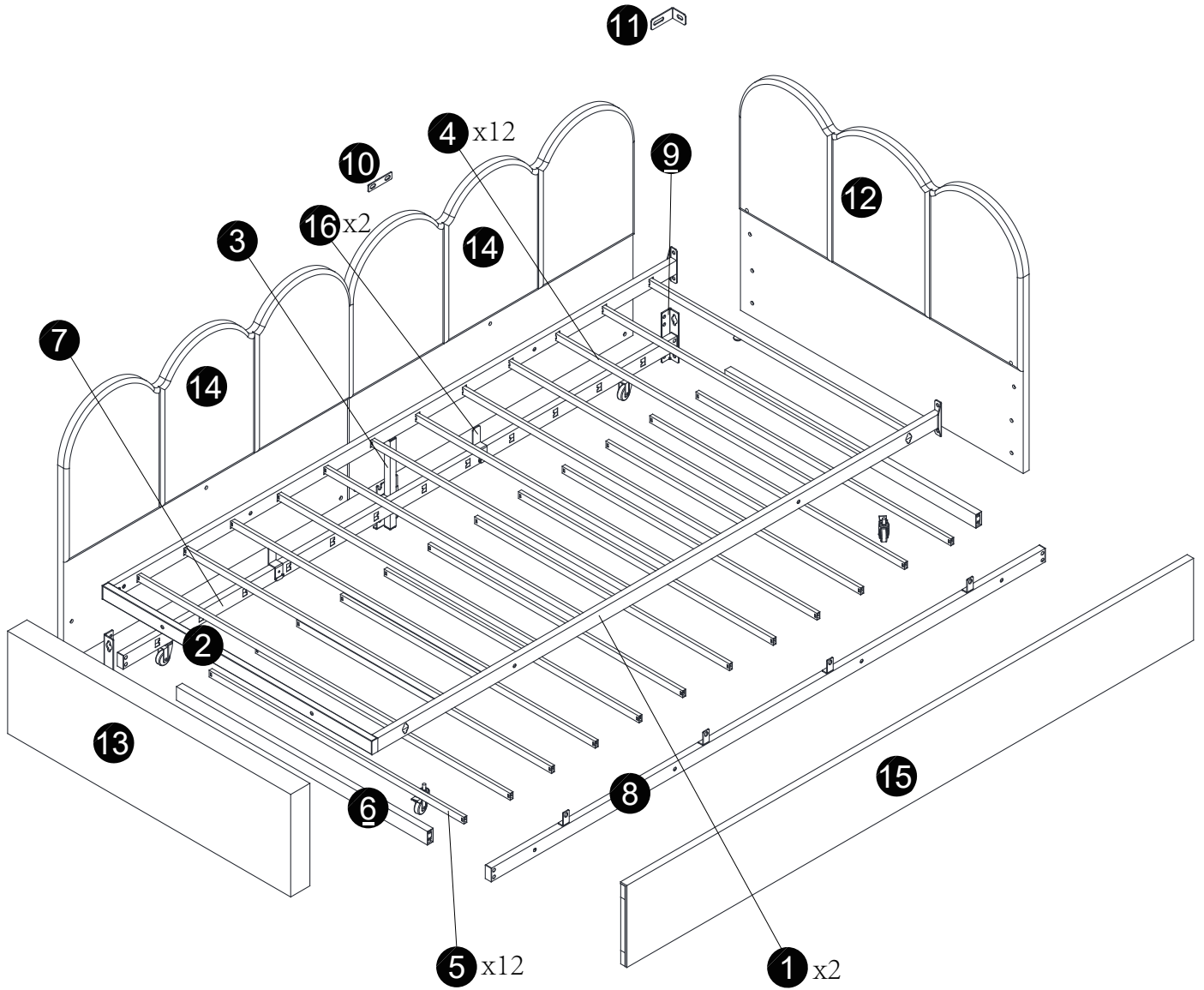


English -IMPORTANT!

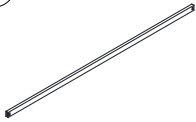
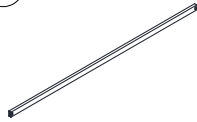
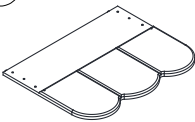
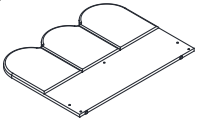
KEEP FOR FUTURE REFERENCE: READ CAREFULLY

- To be assembled by an adult. Assembly must be checked by an adult before use
- WARNING! keep all screws, small parts and plastic bags out of the reach of children
- Properly identify all parts before assembling
- Never use your item if any of its parts are broken or missing
- Should any problems arise, please contact our After Sales Service
- Manufacturer's instructions shall be followed at all times
- Care: clean with a soft, dry cloth. In case of larger stains, carefully rub with a slightly damp, non-abrasive sponge
- Do not jump on the bed


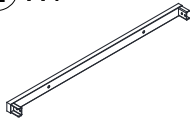
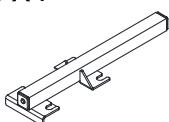
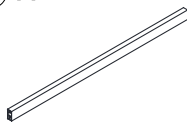
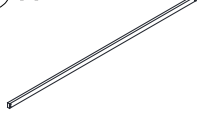
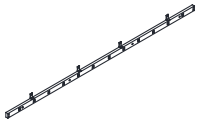

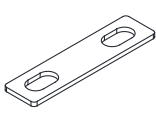
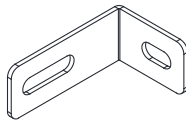
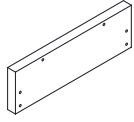
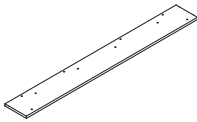
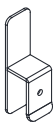
Components List





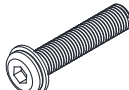
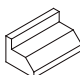

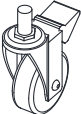

Part List

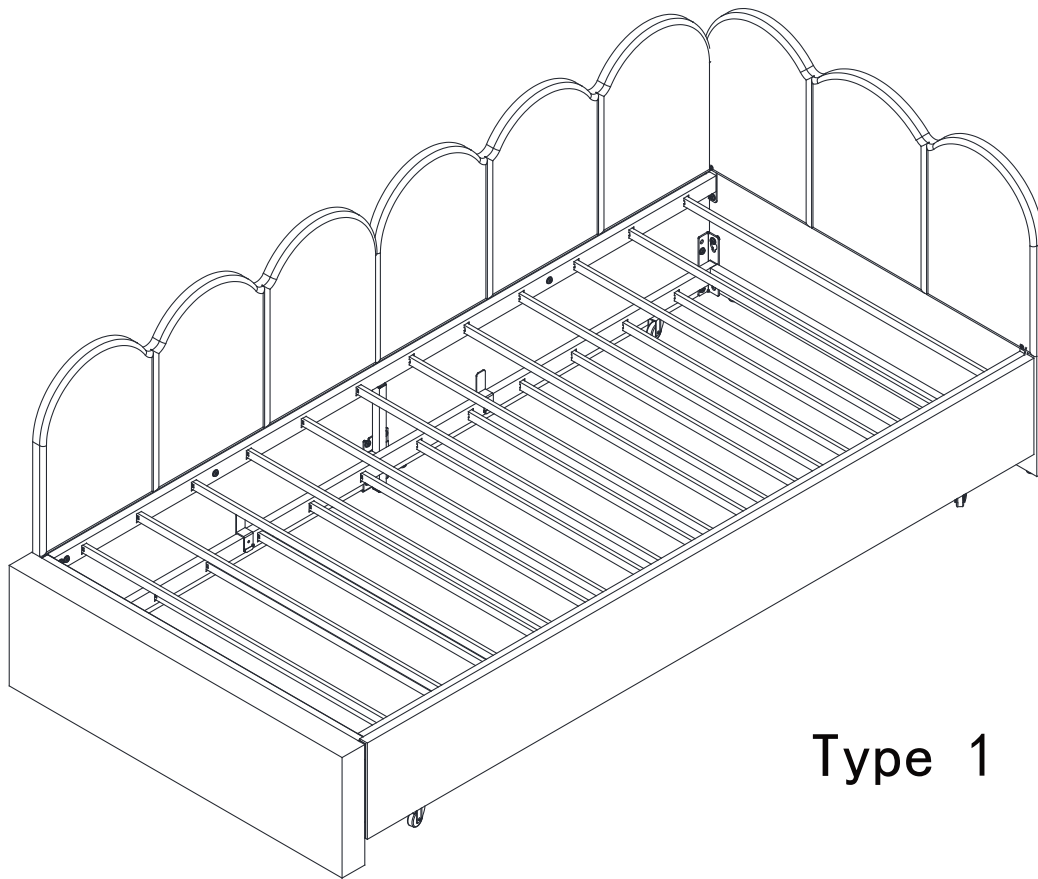
<p>④ X12</p> 	<p>⑤ X12</p> 	<p>⑫ X1</p> 	<p>⑭ X2</p> 
--	--	---	--

Part List

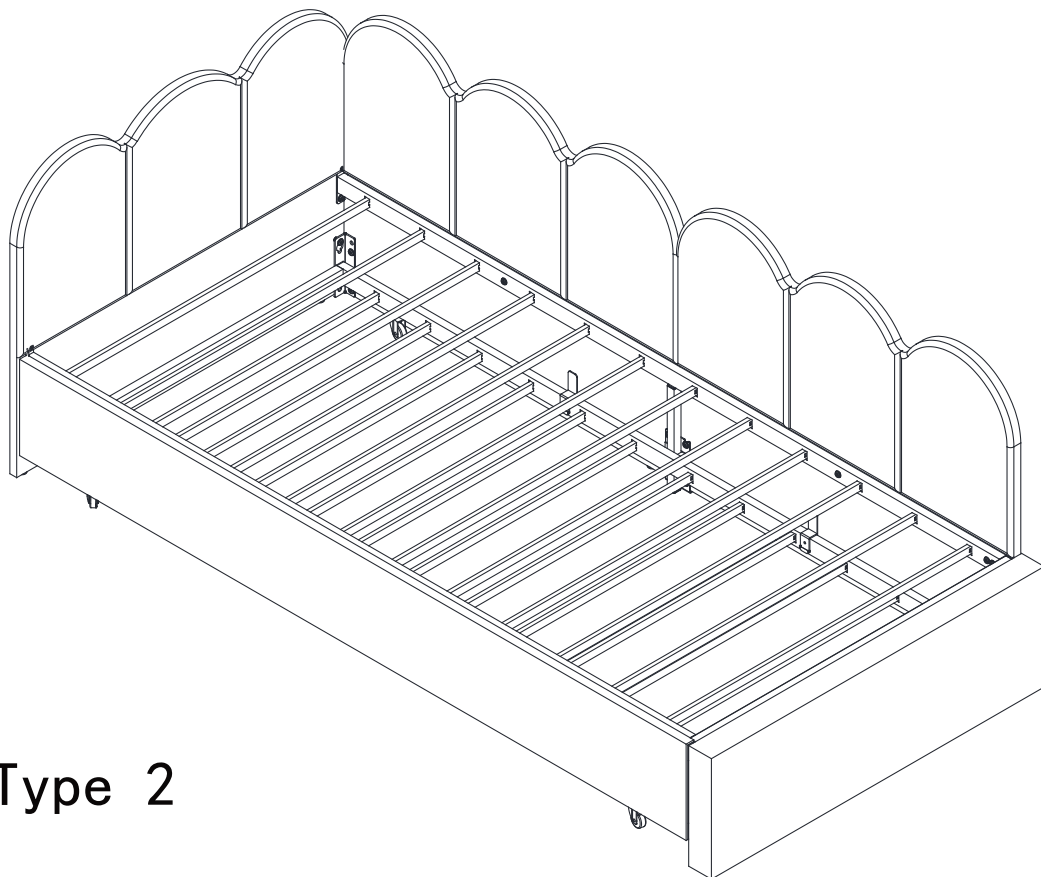
<p>① X2</p> 	<p>② X1</p> 	<p>③ X1</p> 	<p>⑥ X2</p> 	<p>⑦ X1</p> 
<p>⑧ X1</p> 	<p>⑨ X2</p> 	<p>⑩ X1</p> 	<p>⑪ X1</p> 	<p>⑬ X1</p> 
<p>⑮ X1</p> 	<p>⑯ X2</p> 			

Hardware List

<p>A x 28</p>  <p>M8X18</p>	<p>B x 2 Color Zinc</p>  <p>M8X18</p>	<p>C x 16</p>  <p>M8X38</p>	<p>D x 48</p> 	<p>E x 1</p>  <p>5X5</p>
<p>V x 4</p> 	<p>G x 1</p> 			

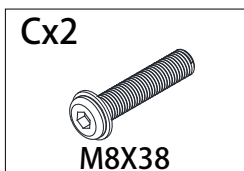
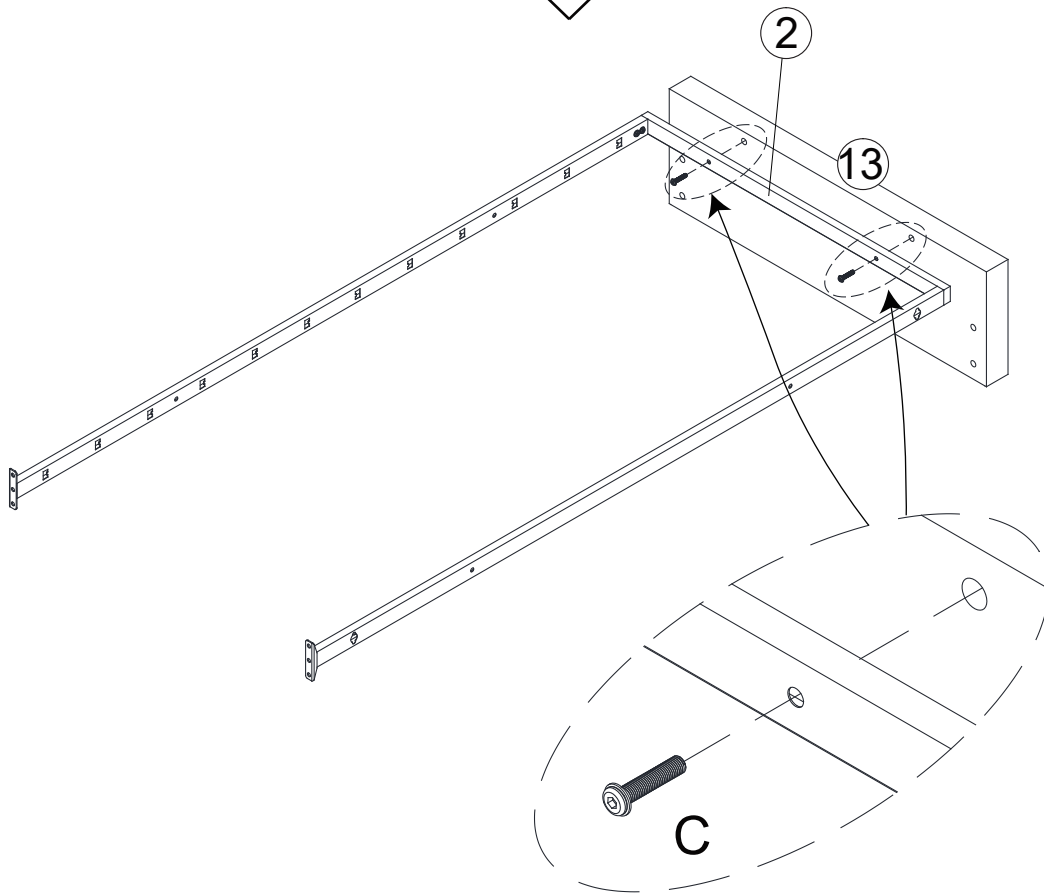
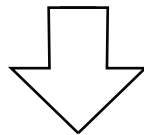
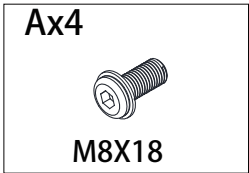
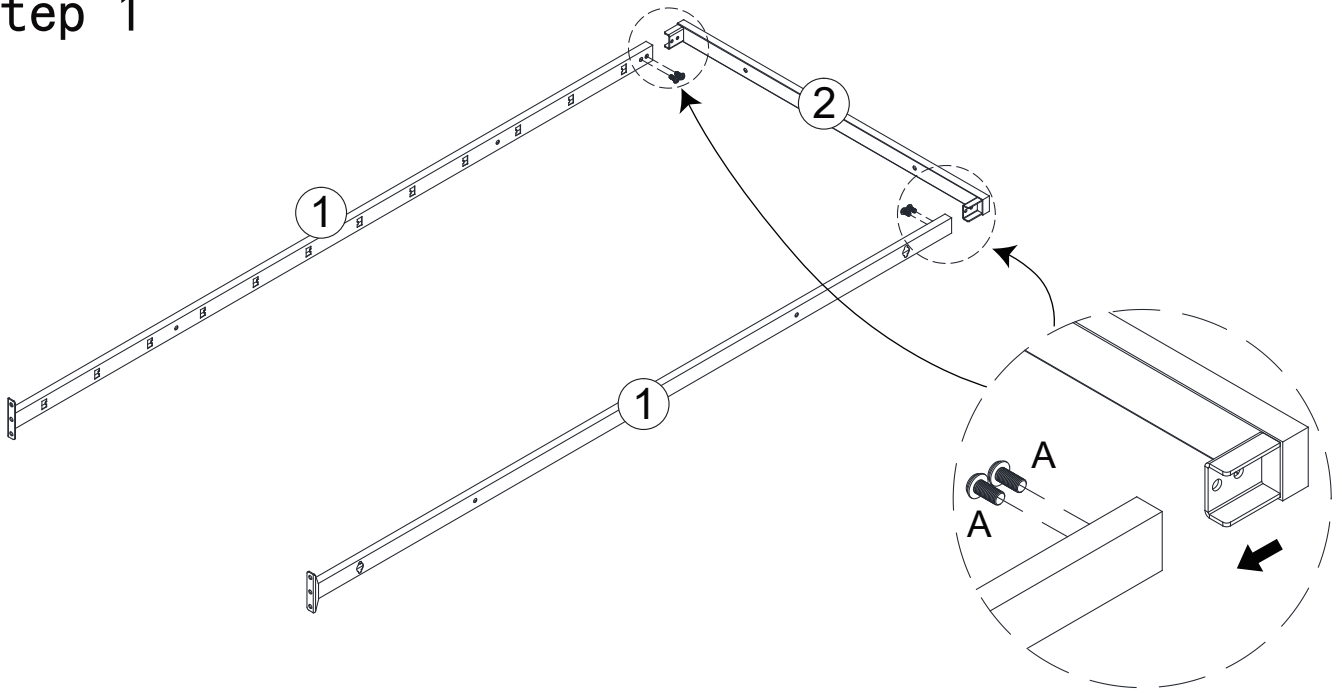


Type 1

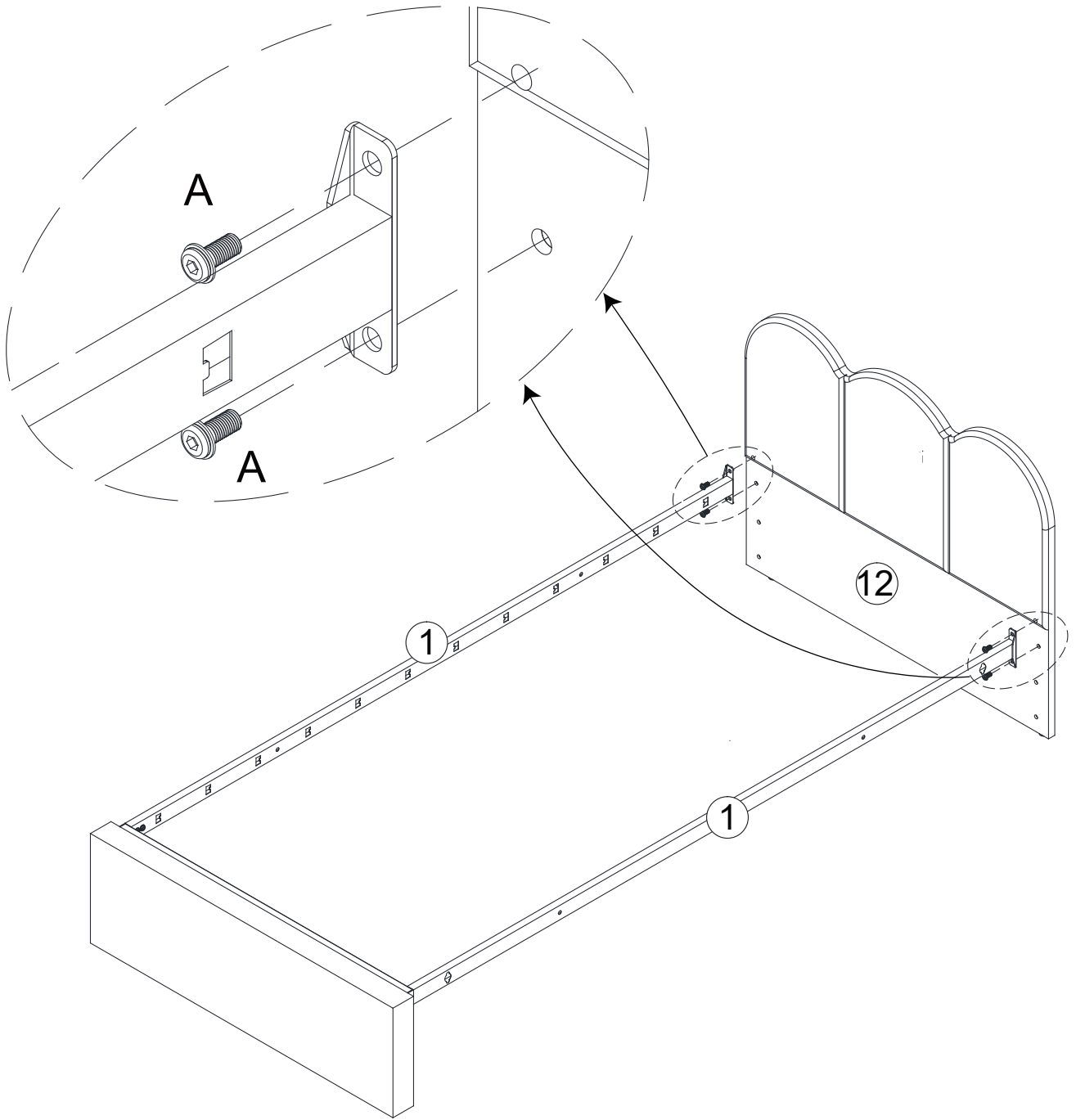


Type 2

Step 1



Step 2

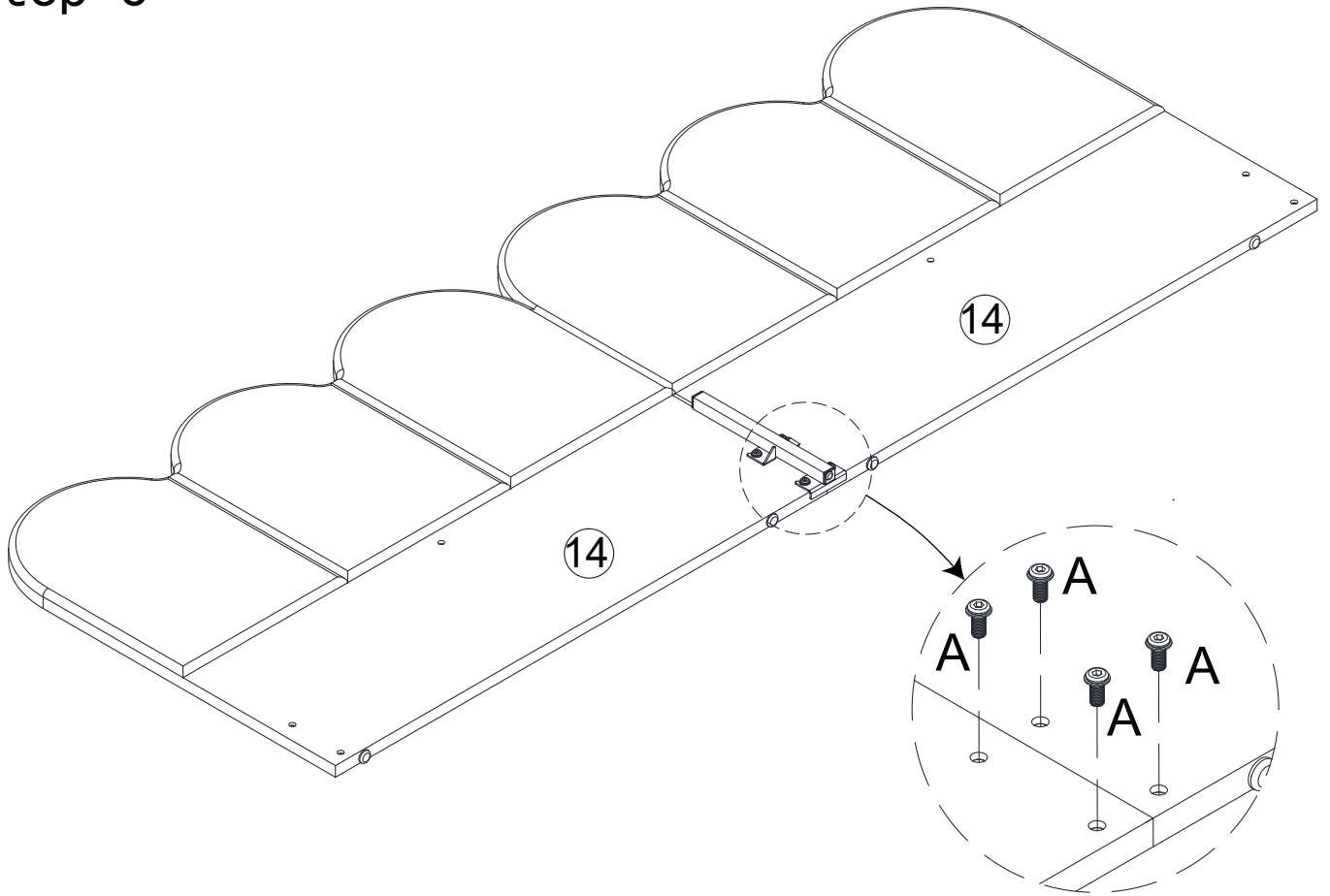


Ax4

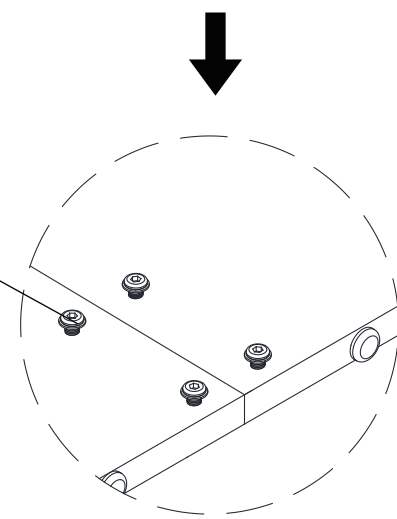


M8X18

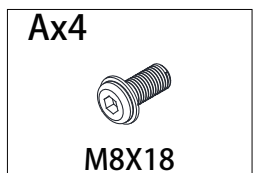
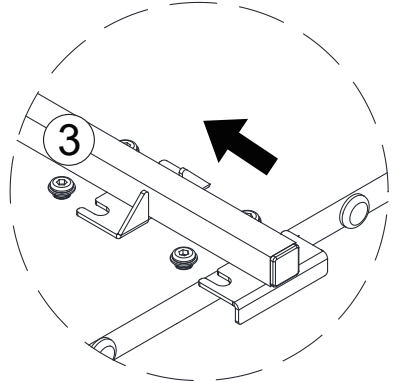
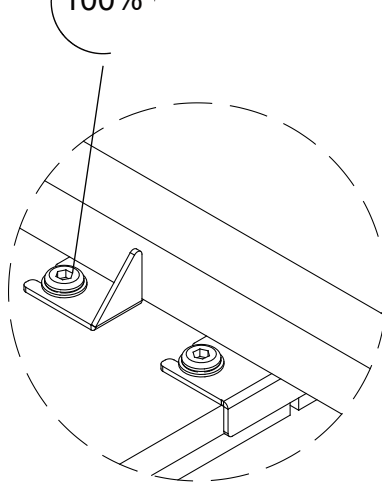
Step 3



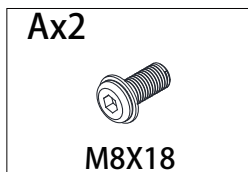
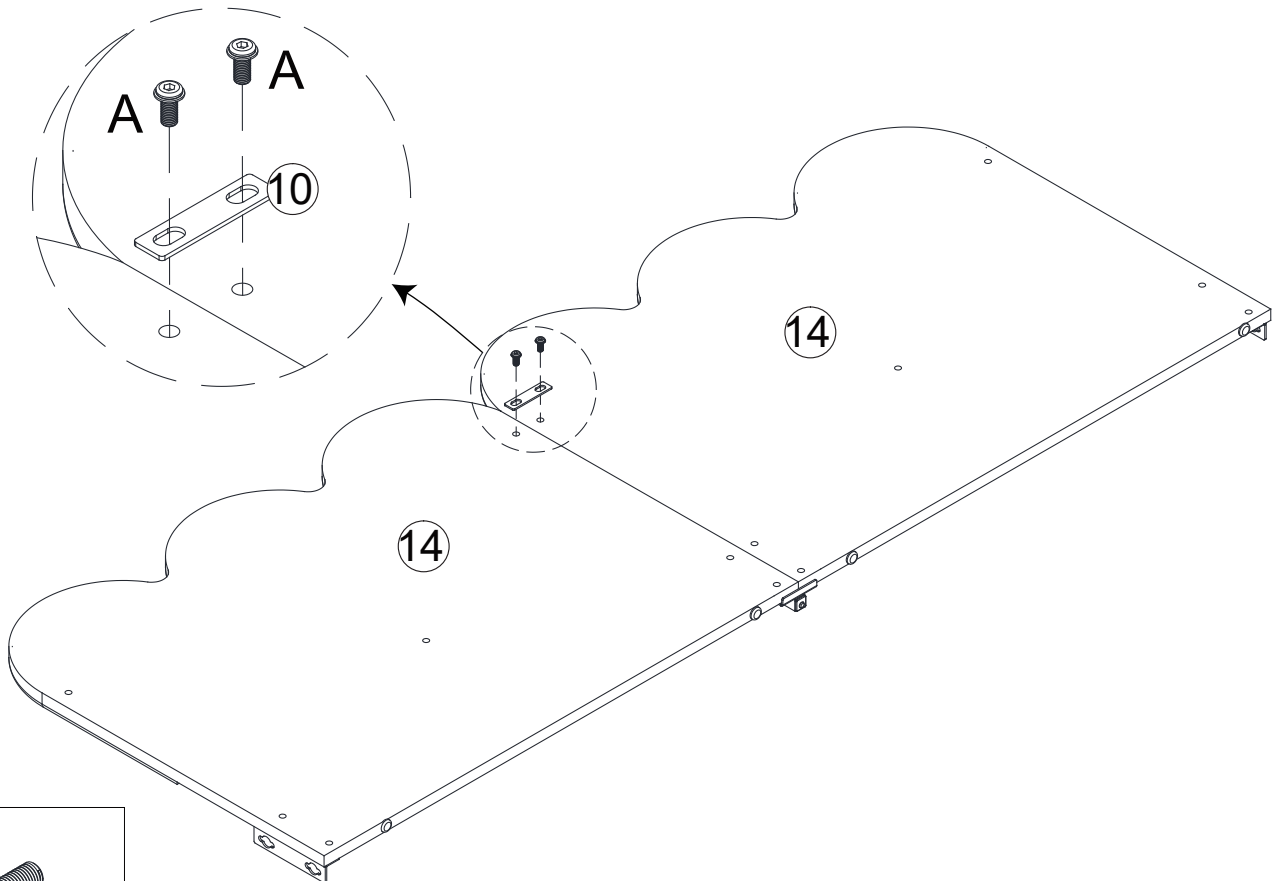
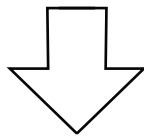
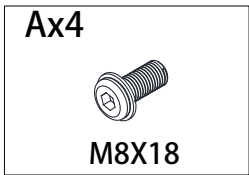
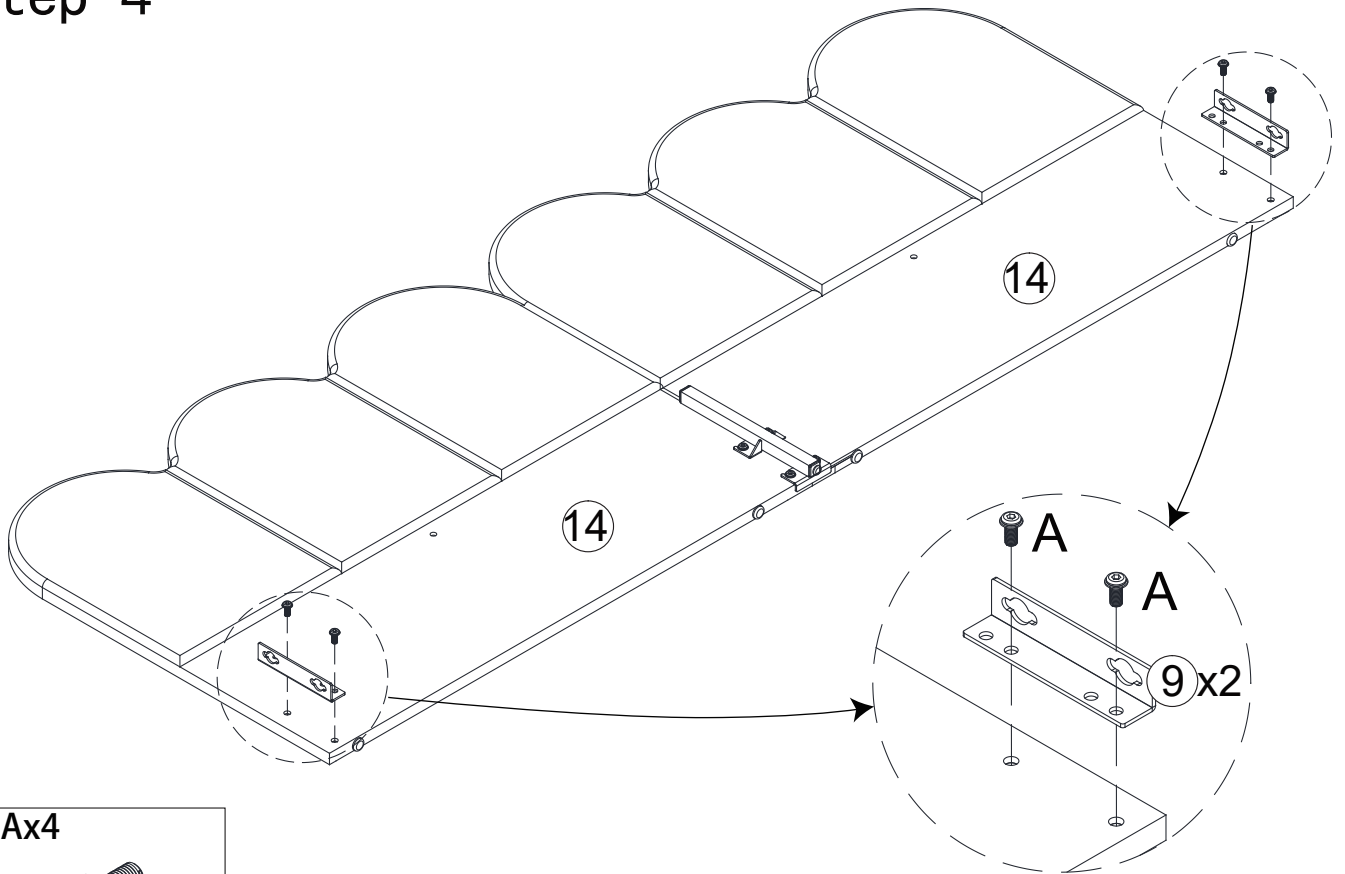
50%



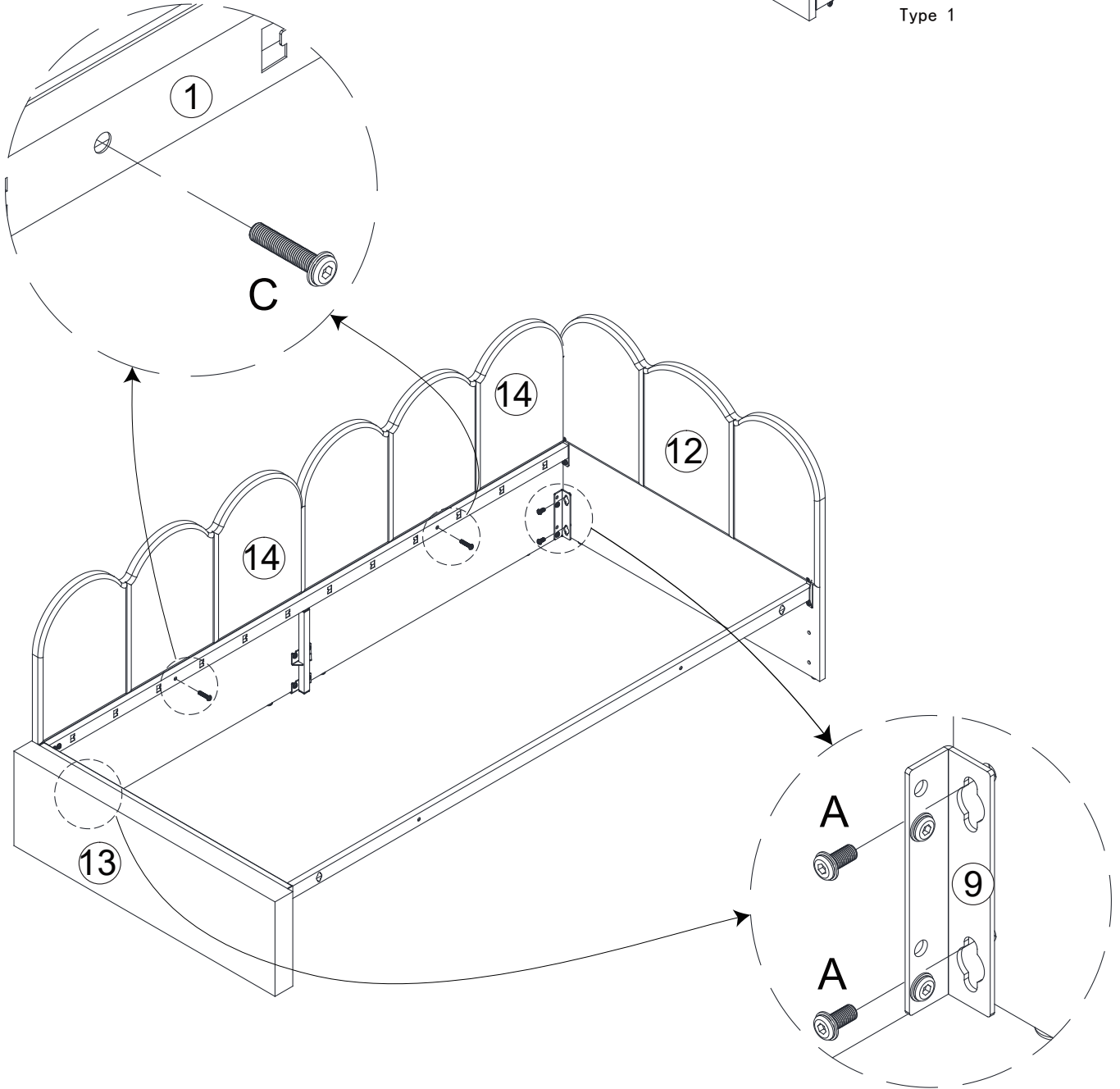
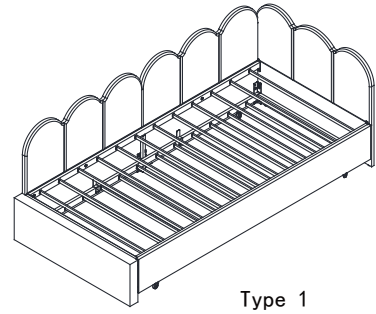
100%


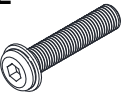


Step 4

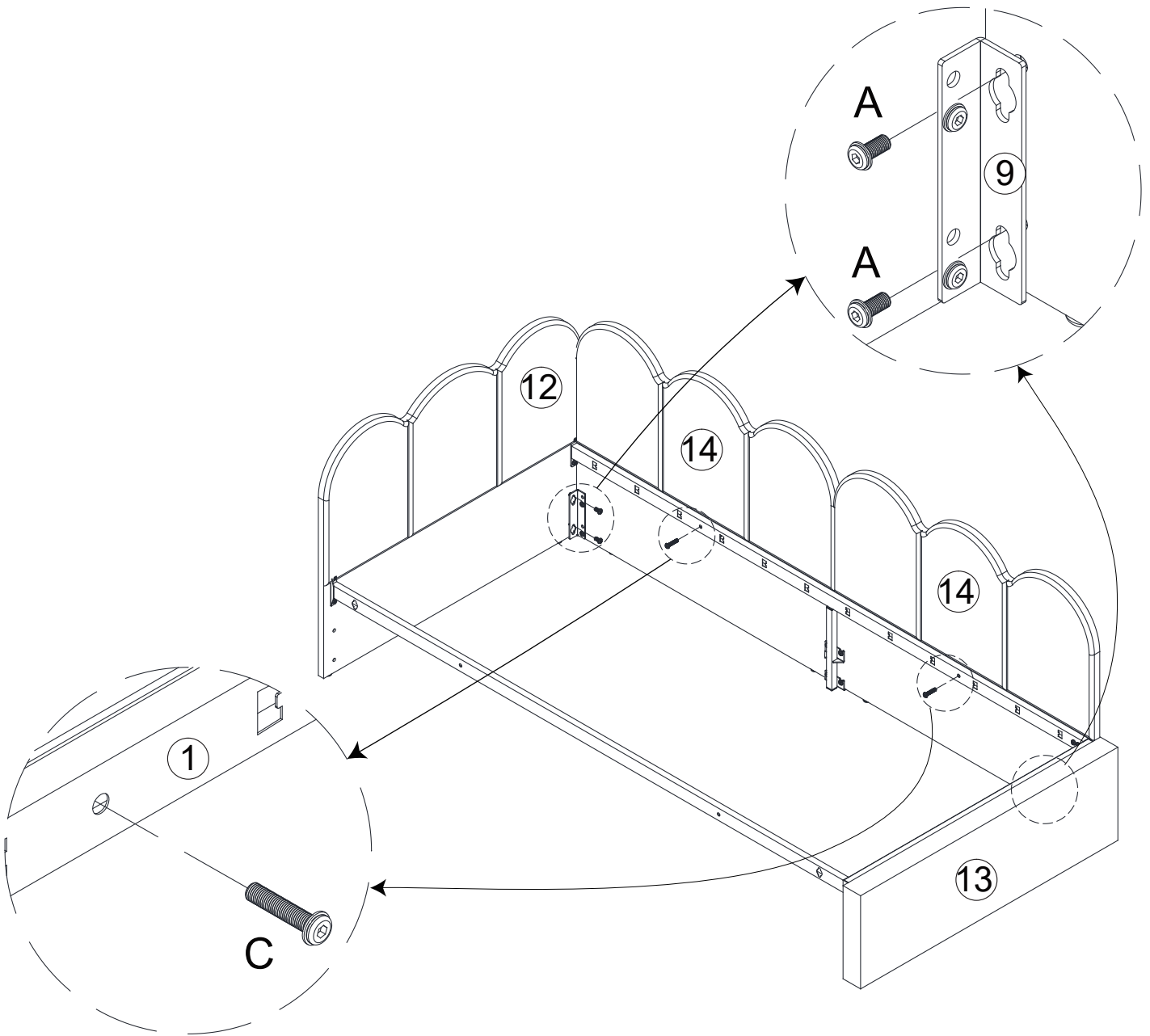


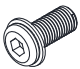
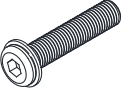
Step 5 (Type 1)

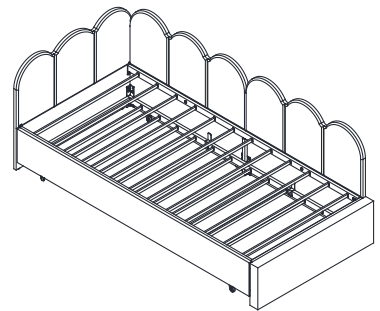


- | | |
|-------|---|
| Ax4 |  |
| M8X18 | |
| Cx2 |  |
| M8X38 | |

Step 5 (Type 2)

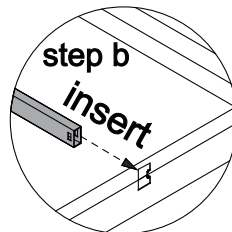
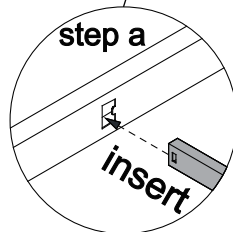
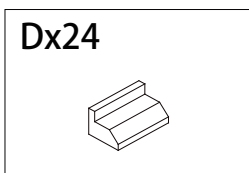
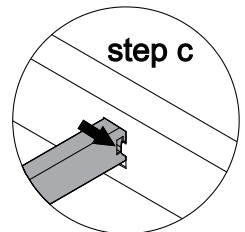
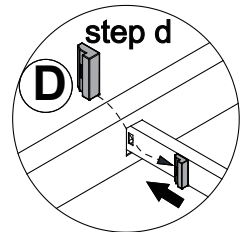
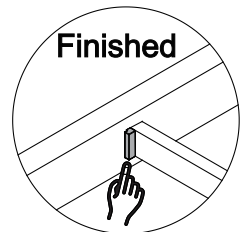
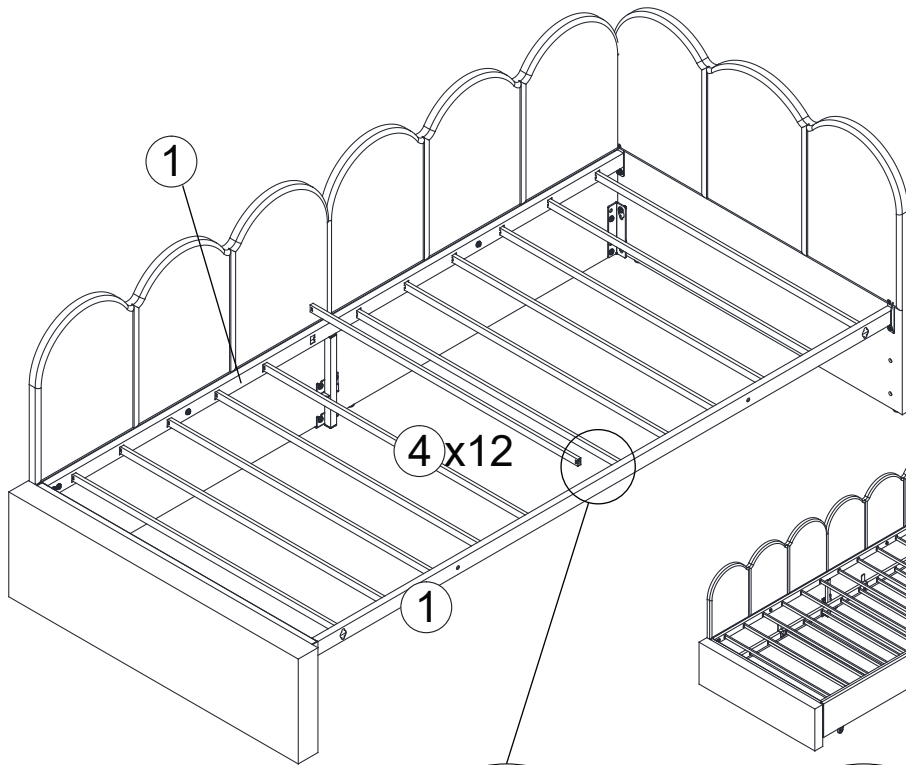
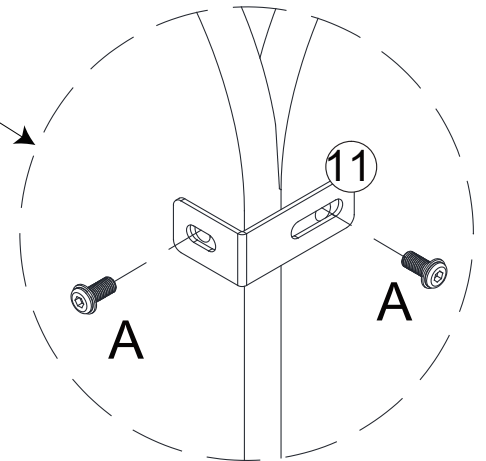
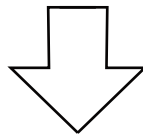
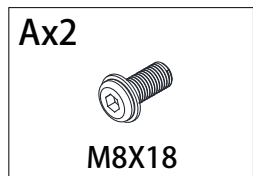
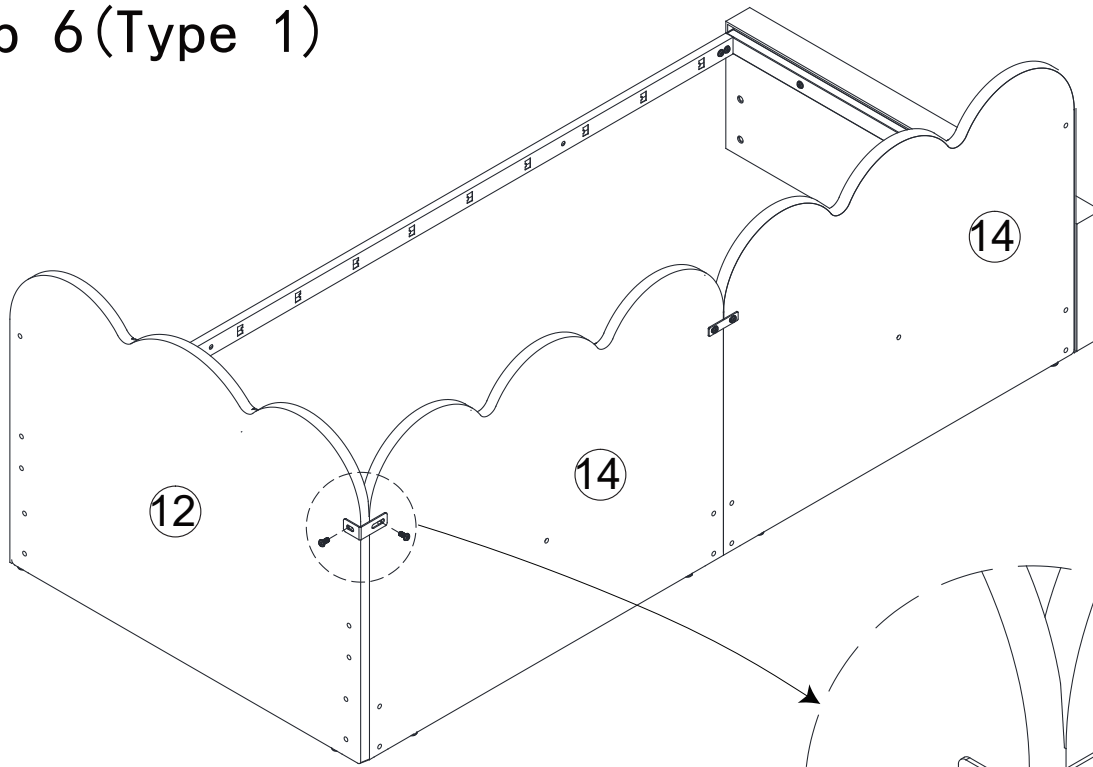


- | |
|---|
| Ax4 |
|  |
| M8X18 |
| Cx2 |
|  |
| M8X38 |

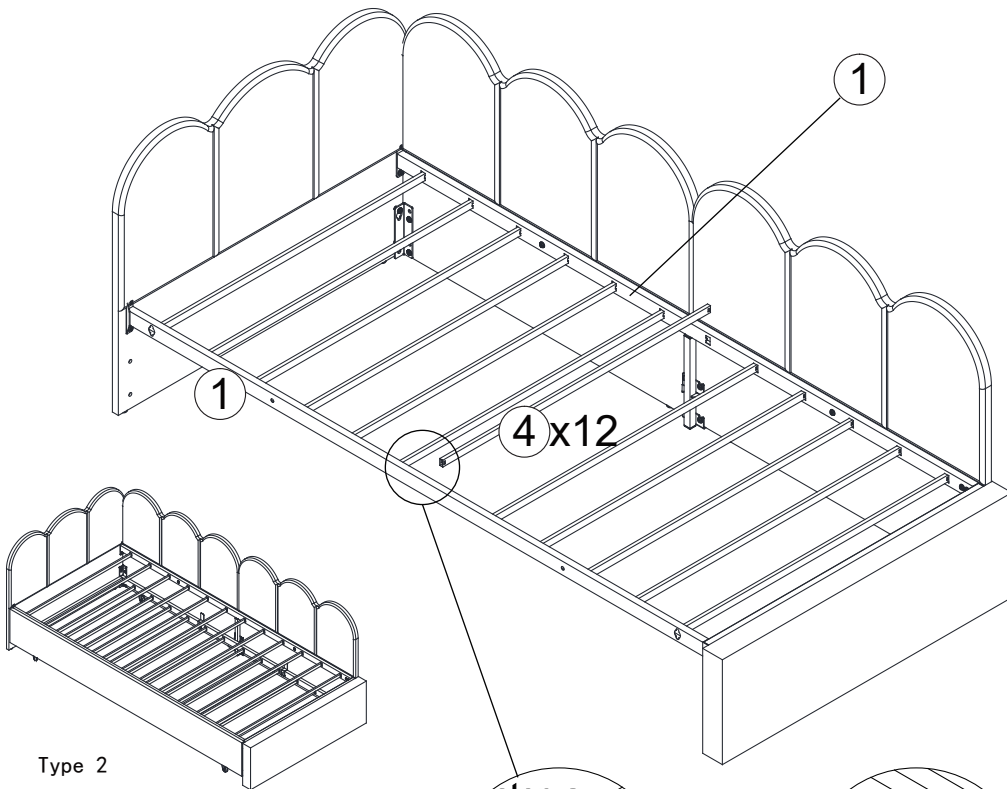
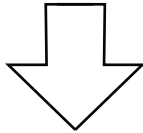
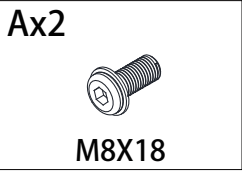
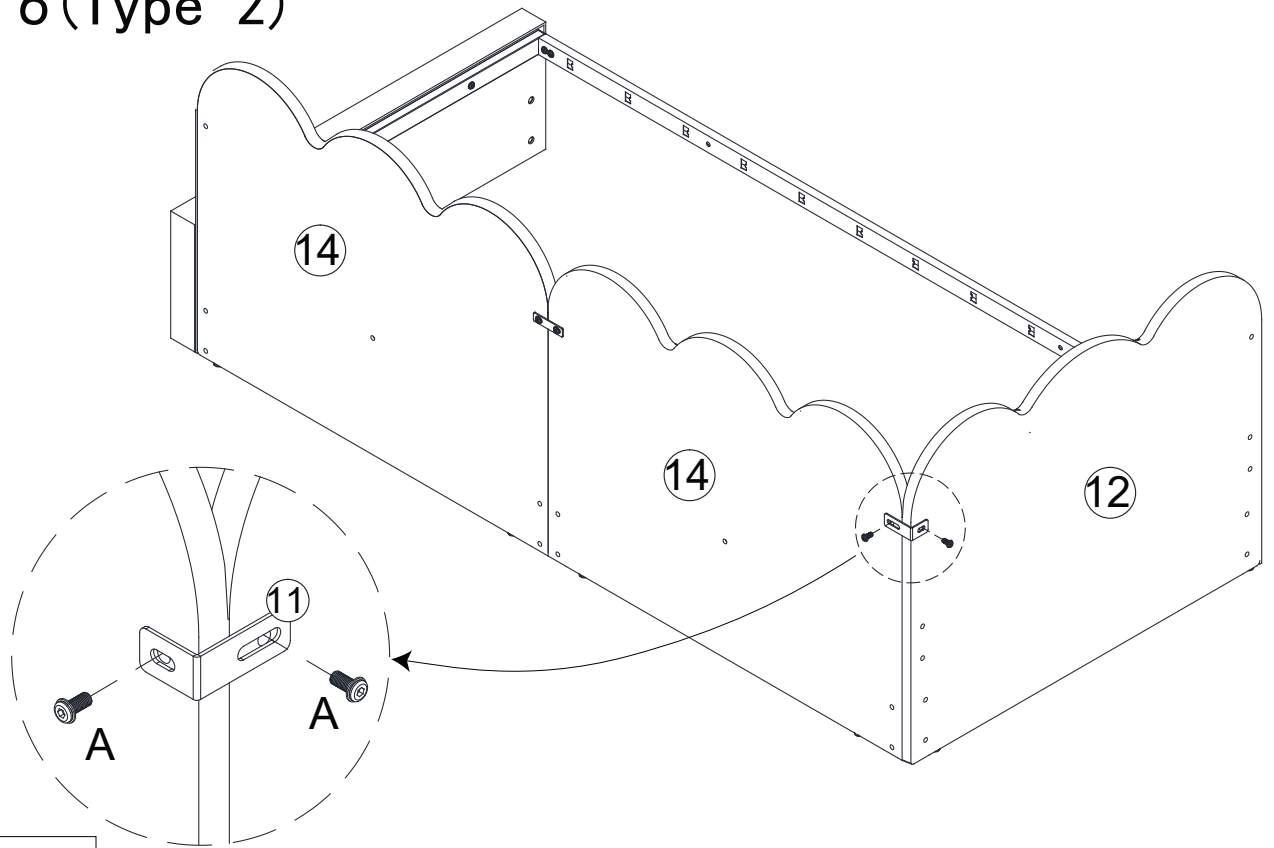


Type 2

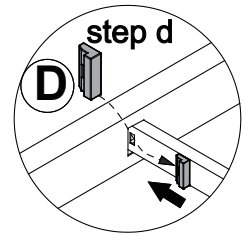
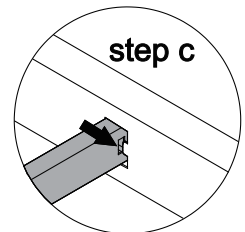
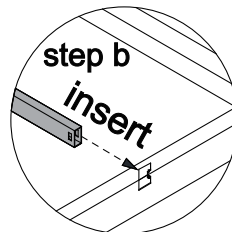
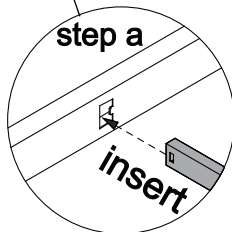
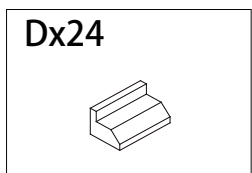
Step 6 (Type 1)



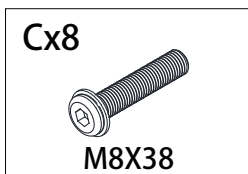
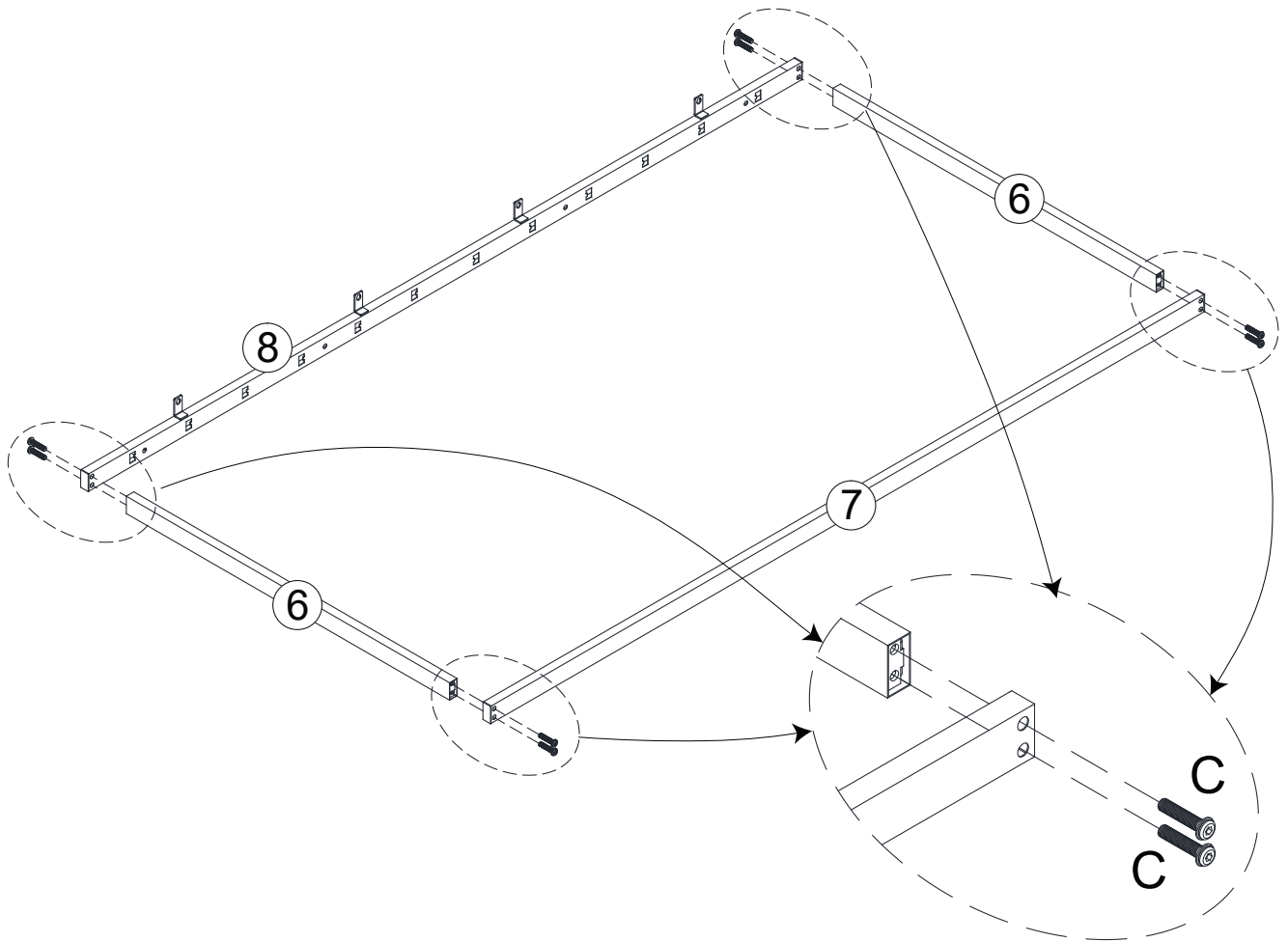
Step 6 (Type 2)



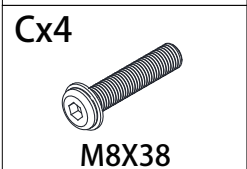
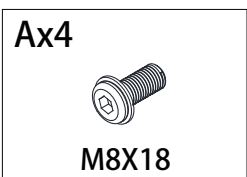
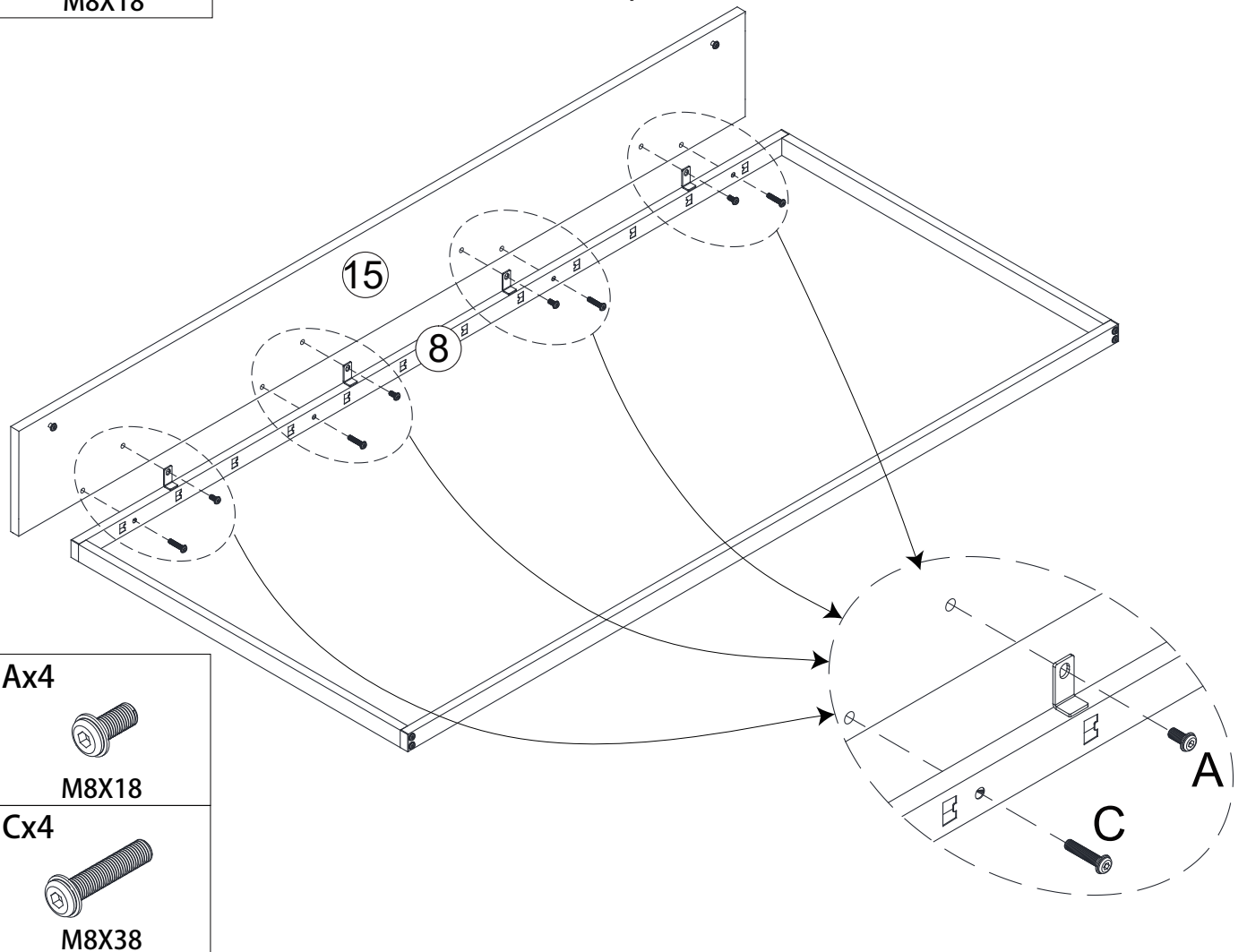
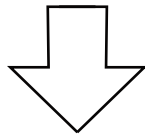
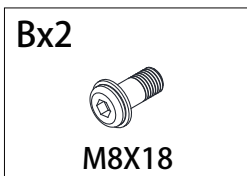
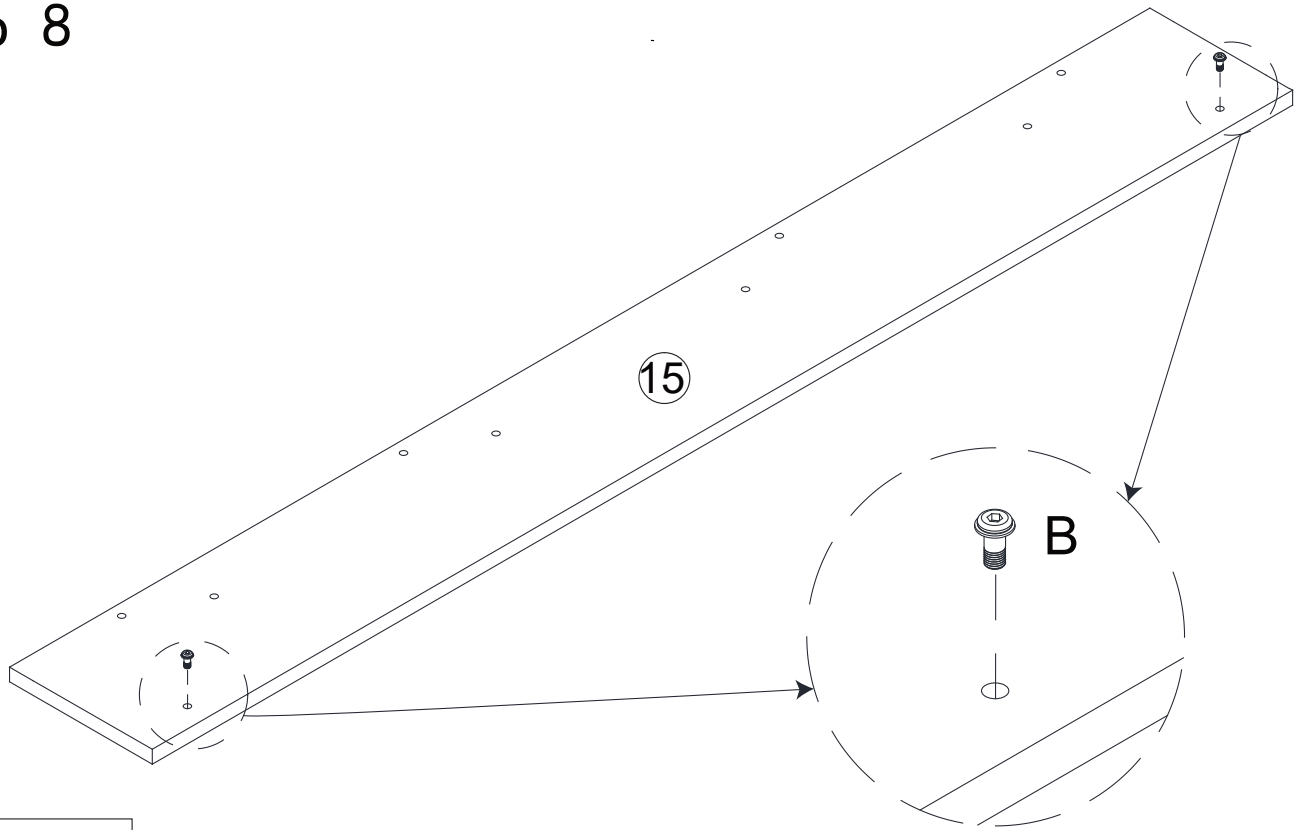
Type 2



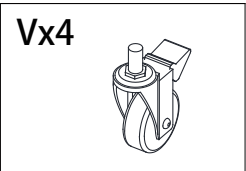
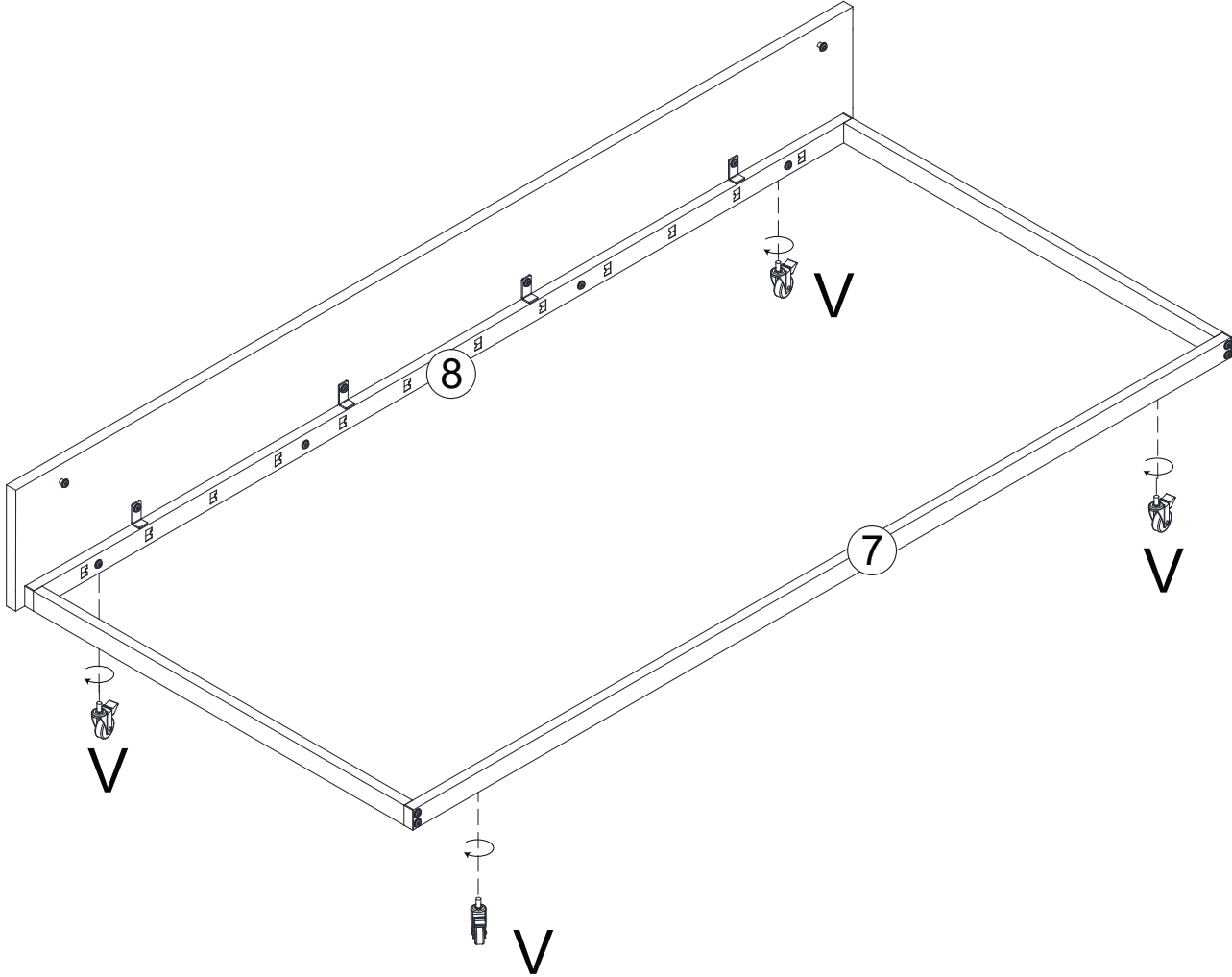
Step 7



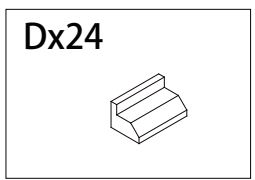
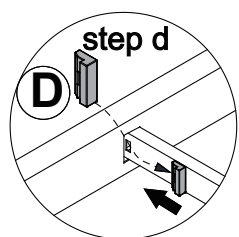
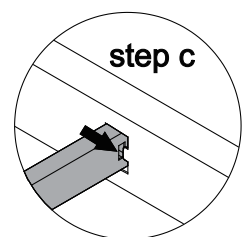
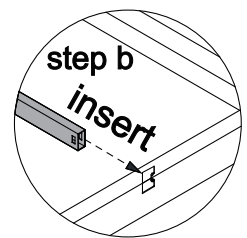
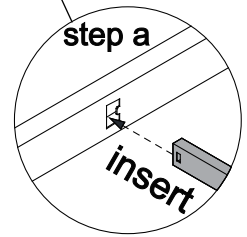
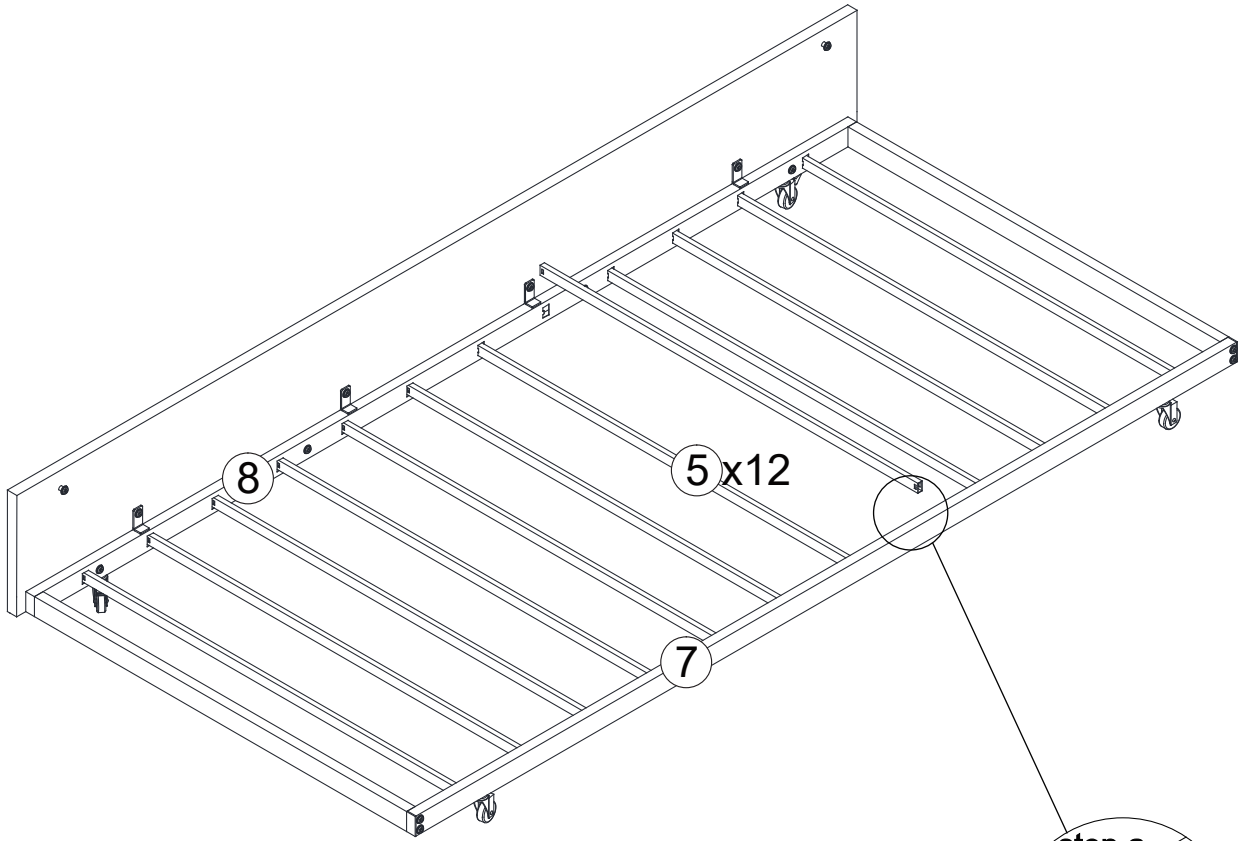
Step 8



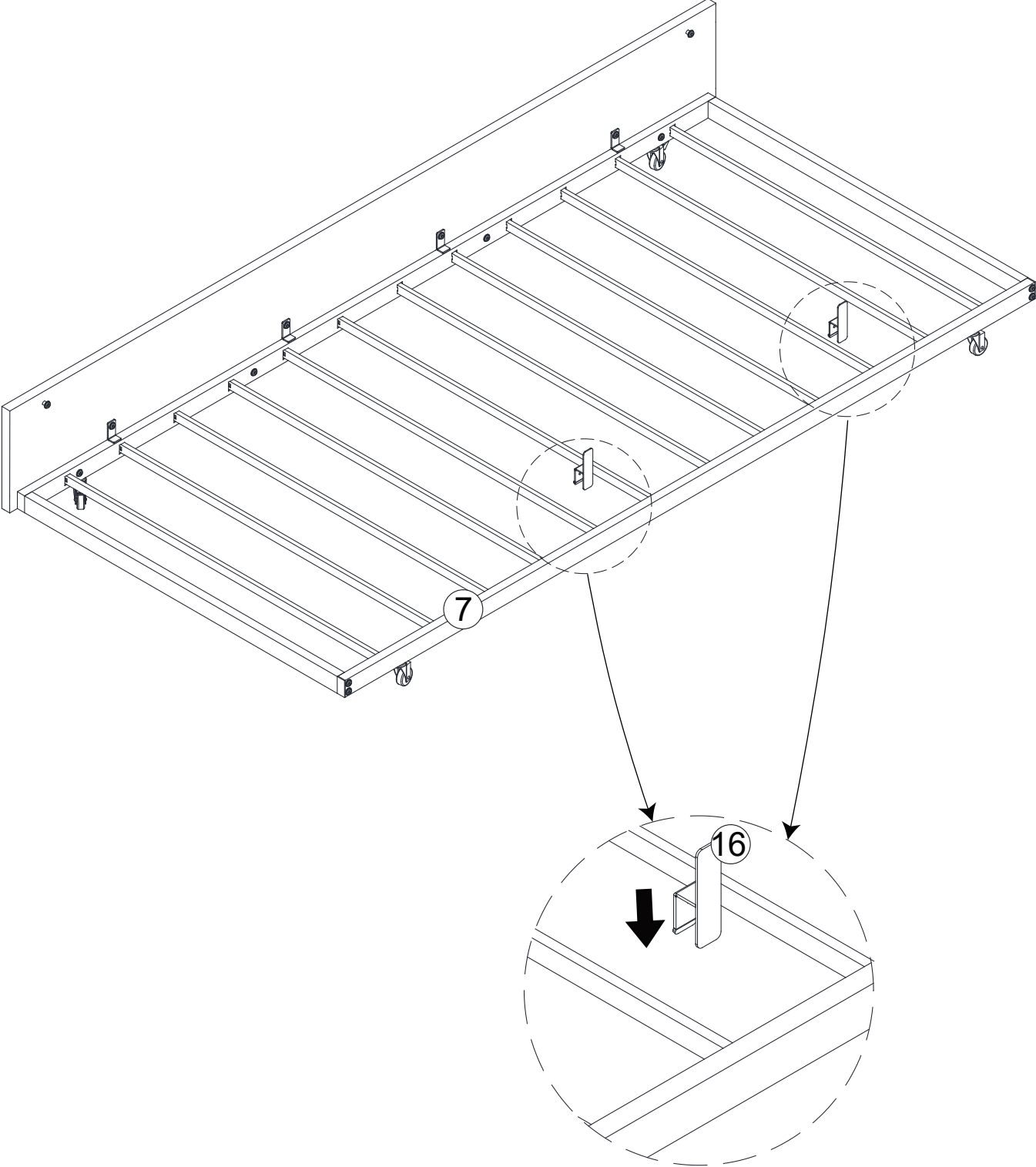
Step 9



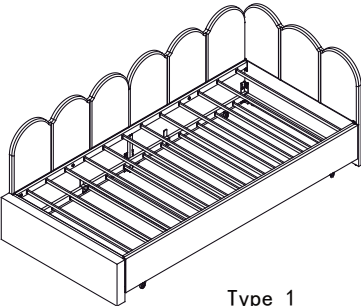
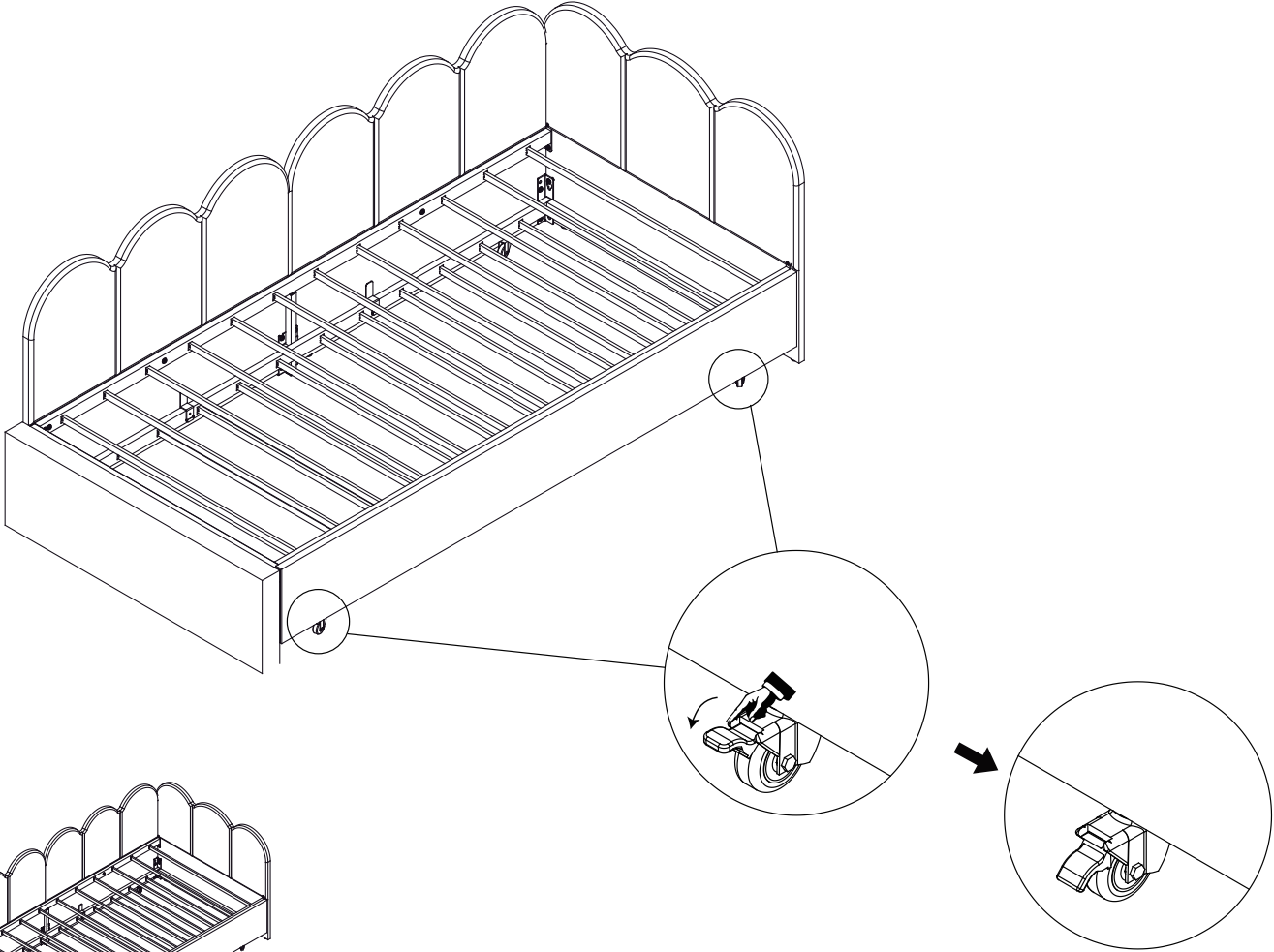
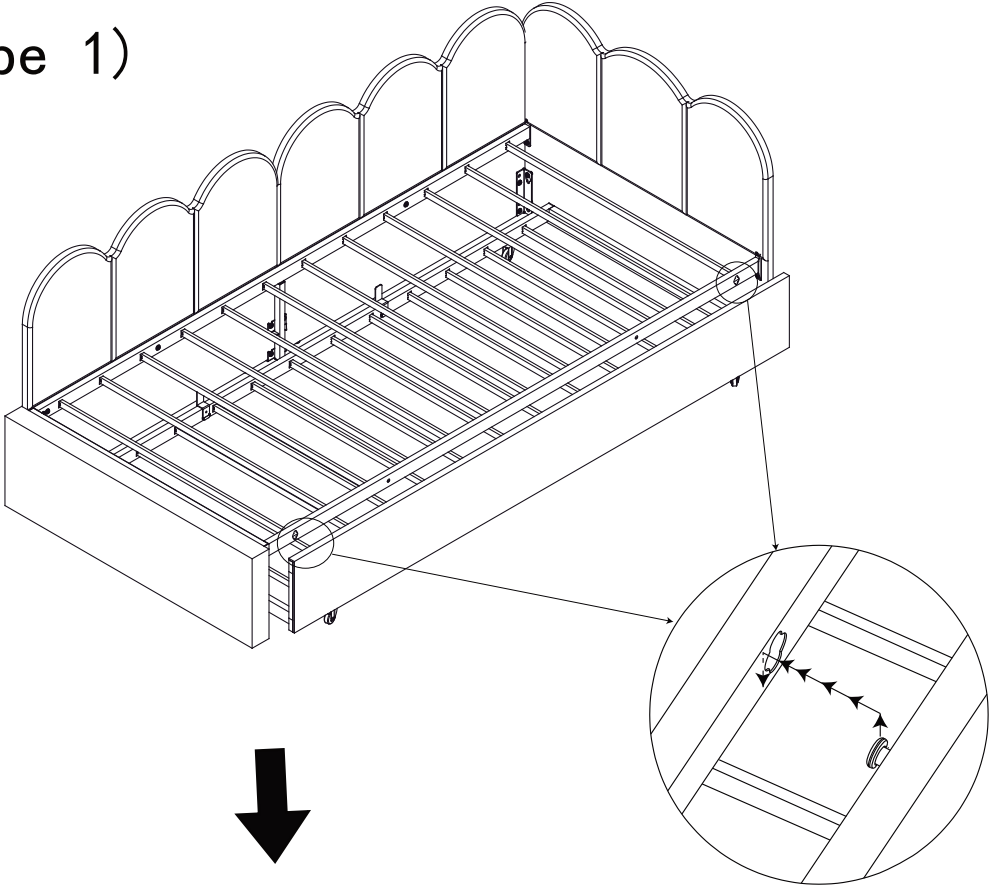
Step 10



Step 11



Step 12 (Type 1)



Type 1

Step 12 (Type 2)

