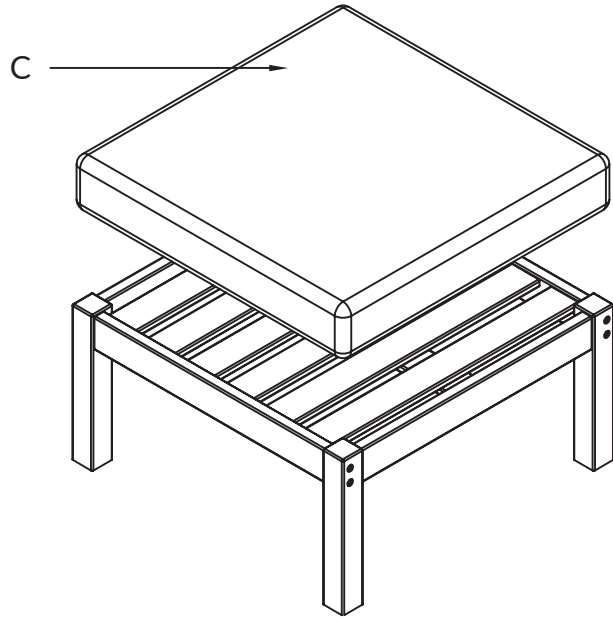
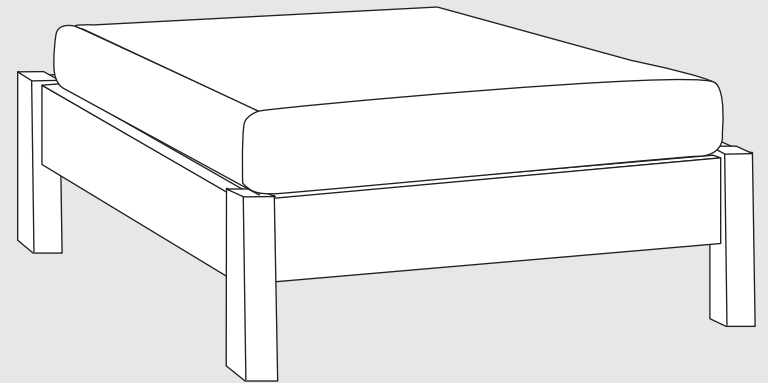


2 Place Seat Cushion (C) on assembled Ottoman Frame.

Model: _____
Lot No: _____
Date of Purchase: _____



OTTOMAN



ADULT ASSEMBLY REQUIRED

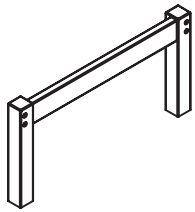
If you are missing any parts or have any questions regarding assembly, do not return this item to the retailers store. Please call our toll-free, customer service number and have this assembly manual open to the parts list ready to provide the model name, number and part name or number.



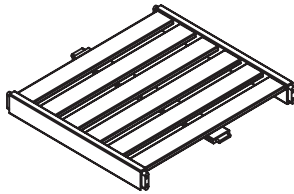
WARNING: This product may contain small components, please ensure they are kept away from small children.

PARTS AND HARDWARE

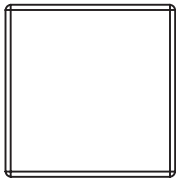
Avoid using sharp objects such as a knife to cut open packing as you may accidentally damage the upholstery.



A. Legs
2x



B. Top
1x



C. Cushion
1x



D. Bolt
8x



E. Allen Key
1x

ASSEMBLY INSTRUCTIONS

Do not fully tighten bolts until assembly is complete.

- 1 Attach Leg Frame (A) to Ottoman Top (B) using Bolts (D). Tighten with provided Allen Key (E).

