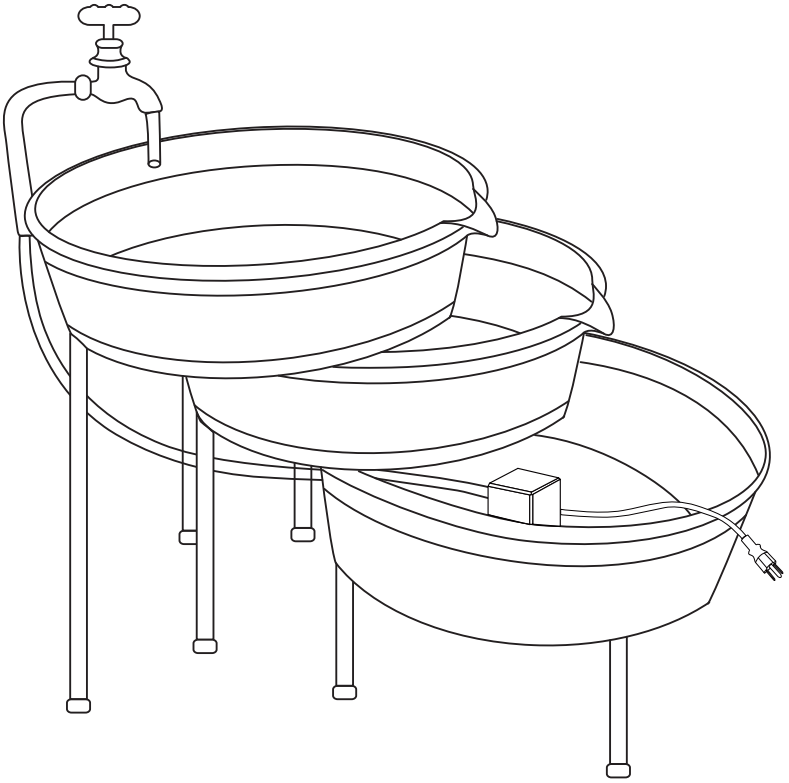


---

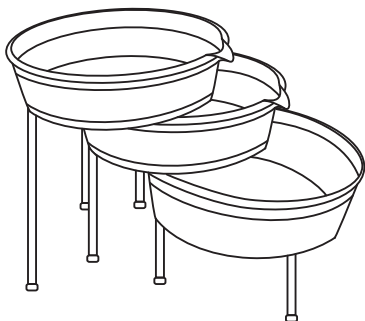
**ASSEMBLY INSTRUCTION**

**OUTDOOR FOUNTAIN WITH PUMP**



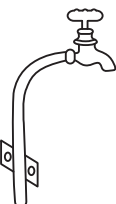
## PARTS LIST

A



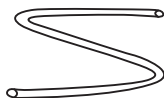
Qty: 1

B



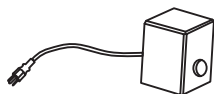
Qty: 1

C



Qty: 1

D



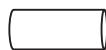
Qty: 1

E



Qty: 1

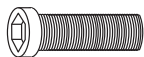
F



Qty: 1

## HARDWARE LIST

G



Qty: 2

H

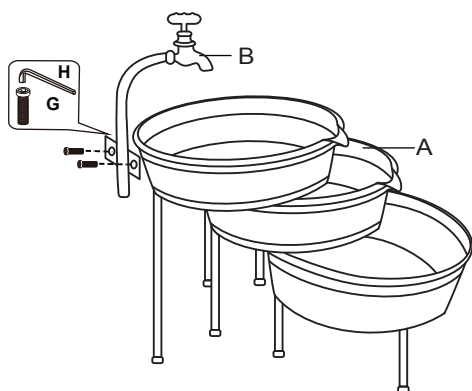


Qty: 2

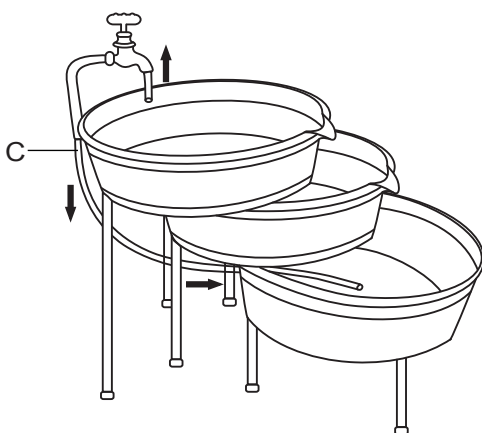
## ASSEMBLY INSTRUCTION

IT'S BEST TO CHOOSE A LOCATION WHERE RAIN CHAINS CAN LEAD TO LANDSCAPED AREAS, RAIN BARREL AND WHERE OVERFLOW CAN BE DIVERTED FROM FOUNDATIONS.

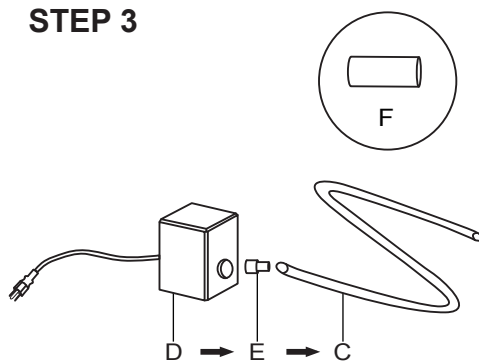
## STEP 1



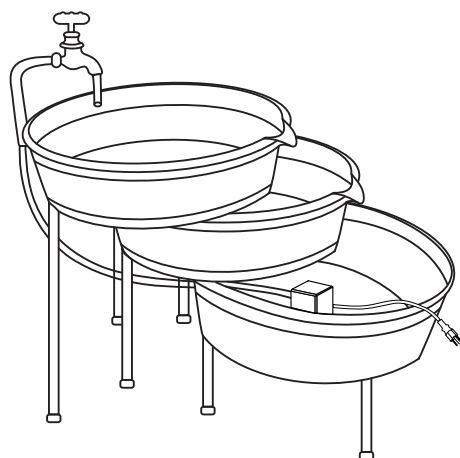
## STEP 2



## STEP 3



## STEP 4



### Caution:

The part of "F" is an additional spare part to adapt to other flexible hoses on the market, which is not available for our hose.