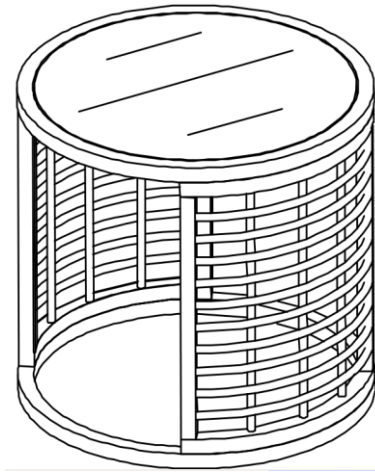



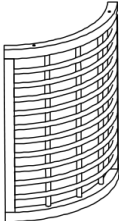
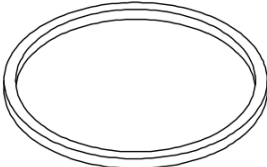

Assembly Instructions

Caution: You must read this before you proceed

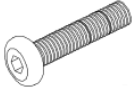





Table



Part List

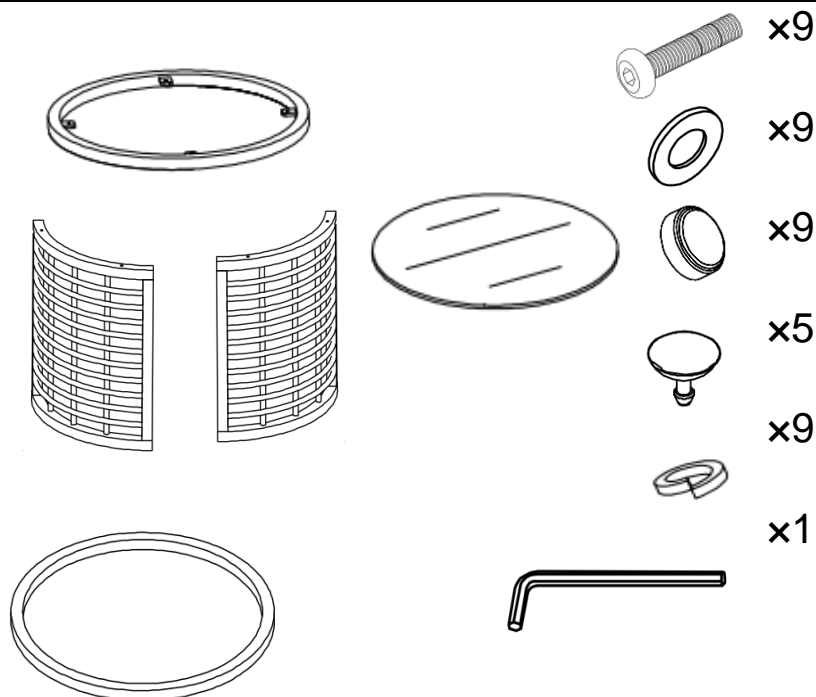
Label	Picture	Description	QTY
A	 A line drawing of a circular glass panel with four small square mounting holes around its perimeter.	Table Panel	1
B	 A line drawing of a curved section of the table's woven frame, showing the vertical and horizontal slats.	Frame	2
C	 A line drawing of a circular base or bottom ring for the table, consisting of two concentric circles.	Table Bottom	1
D	 A line drawing of a circular glass panel, similar to the one in part A, with three diagonal lines on its surface.	Tempered Glass	1

Hardware

Label	Picture	Description	QTY
①		Bolt (M6x35mm)	9
②		Washer	9
③		Allen Key	1
④		Cap	9
⑤		Suction Cup	5
⑥		Spring Washer	9

Assembly Preparation

Before Beginning Assembly:



- Read instructions, cover to cover-



- Have 2 adults on hand for assembly-



- Do not assemble on flooring or carpet-



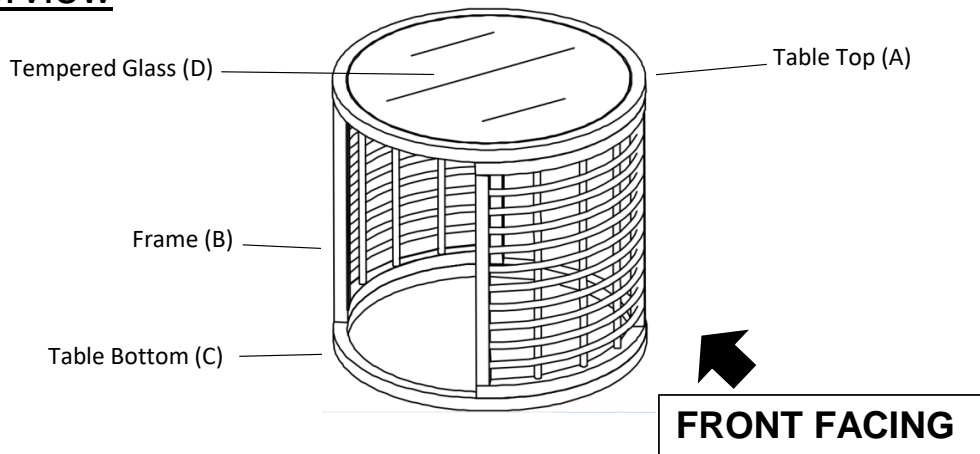
- Assemble on a clean non-marring surface (packing foam)-



- Save all packaging until finished-

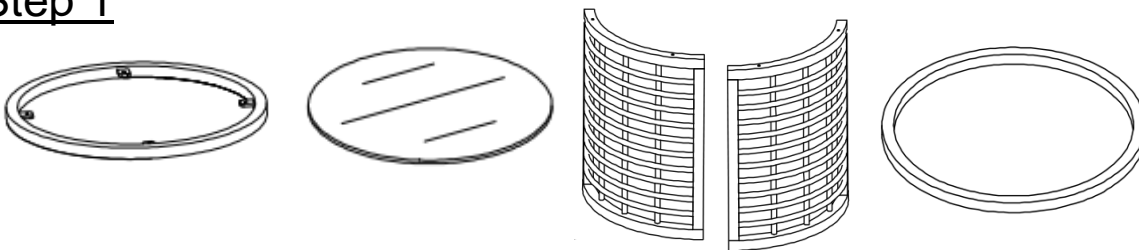
Assembly Steps

Overview



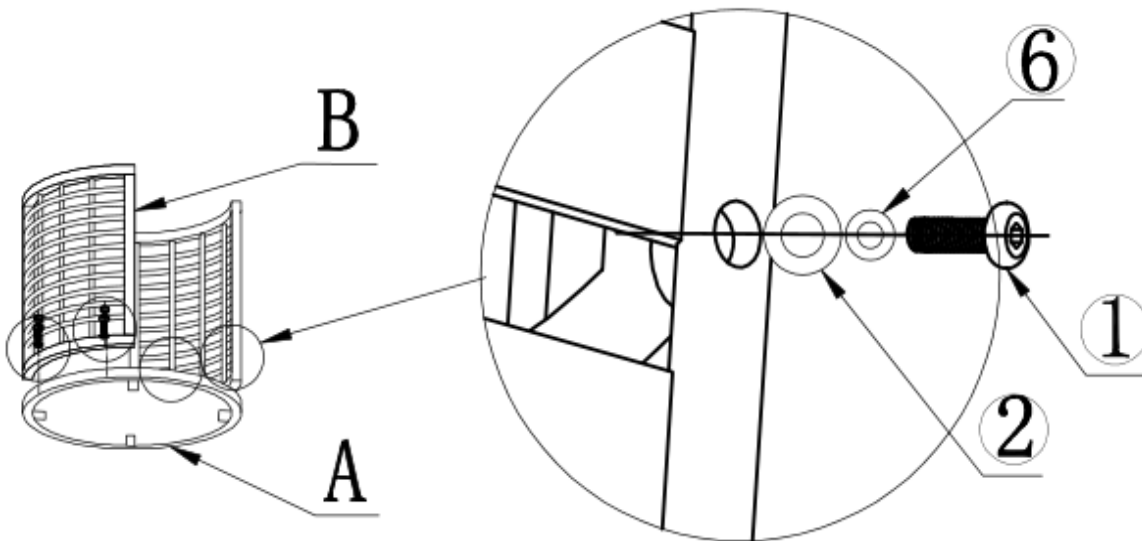
This Table has multiple parts and may require up to 30 minutes to assemble. To give you an overview of the Table, the above picture is to help you put the various parts into perspective. Please read through the instructions below to familiarise yourself with the parts and steps before assembly.

Step 1



Unpack and place all parts on a clean, non-marring surface.

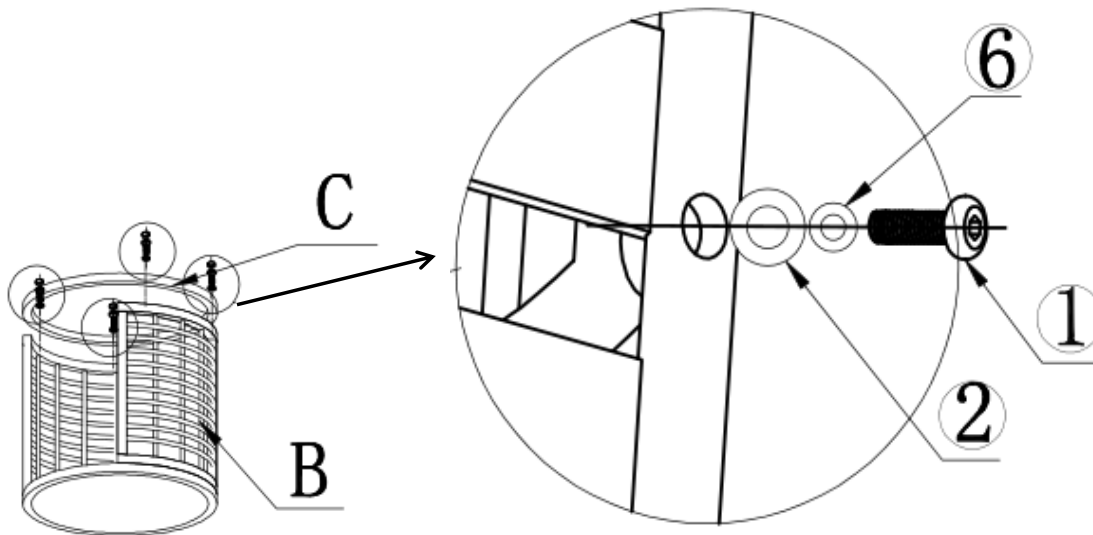
Step 2



Attach Frames(B) to Table Panel(A) using Bolts(①), Spring Washers(⑥) and Washers(②) with Allen Key(③).

Do not fully tighten the Bolts.

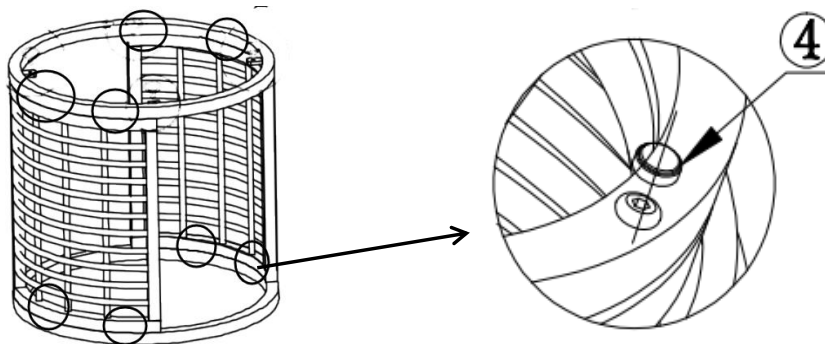
Step 3



Attach Frames(B) to Table Bottom(C) using Bolts(①), Spring Washers(⑥) and Washers(②) with Allen Key(③).

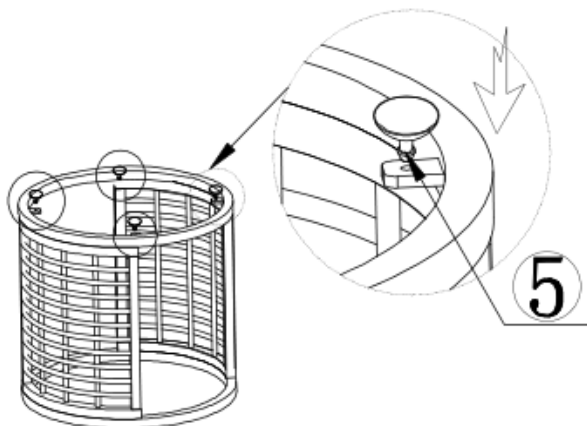
Fully tighten all Bolts at all joints in a sequential manner.

Step 4



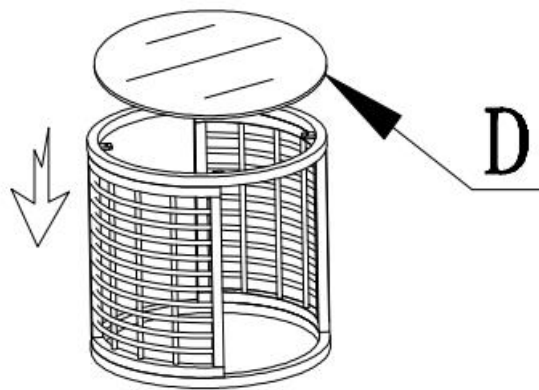
Turn over the Table.
Cover the Bolts(①) using Caps(④).

Step 5



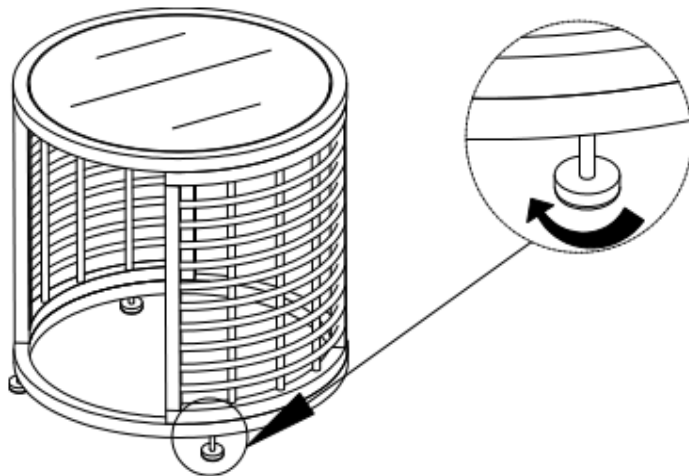
Insert the Suction Cups(⑤) into Table Panel(A) as pictured above.

Step 6



Carefully place the Tempered Glass(D) on the Table.

















Step 7



Adjust the Pre-installed Levelers on the Table Bottom(C) until the Table is level with the ground. Your Table is ready for use.

This Table can only be used on a flat and level surface.

Care & Maintenance

-   ● Do not put hot items directly on furniture surface
-   ● Do not clean furniture with harsh cleansers or polish.
-   ● To obtain the longest lifespan of your outdoor products, minimizing exposure to direct sunlight is recommended.
-  ● Children should not climb or jump on the furniture.
-  ● Do not write on furniture without a padded barrier to protect the surface.
-   ● To obtain the longest lifespan of your outdoor products, avoid extended and lengthy exposure to rain, snow, and direct sunshine. Whenever possible cover the product and /or place under patio or awnings.
-  ● Not for commercial use. For residential use only .
-   ● Stains may be removed with mild soap solution and damp cloth.
-  ● Keep away from sources of ignition.
-   ● Dust and pick-up spills using a clean, non-colored, lint-free cloth.