

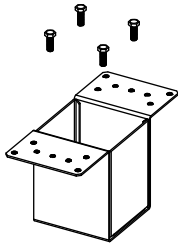


**MAIL BOSS**  
LOCKING SECURITY MAILBOXES

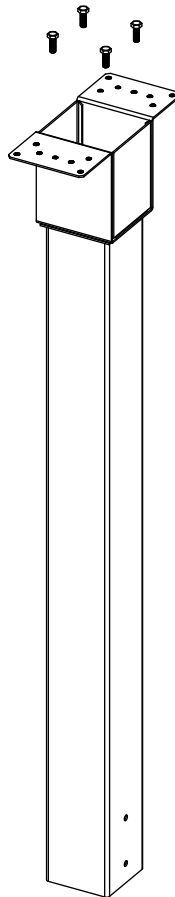
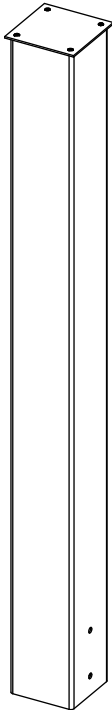
# Post Height Extension

Congratulations on the purchase of your Mail Boss® Post Height Extension. This Post Height Extension is constructed of tough 14 gauge galvanized powder coated steel and will mate perfectly with your Mail Boss® post and mailbox. Included with the Mail Boss® Post Height Extension are four 12 mm bolts for attachment to your Mail Boss® mailbox.

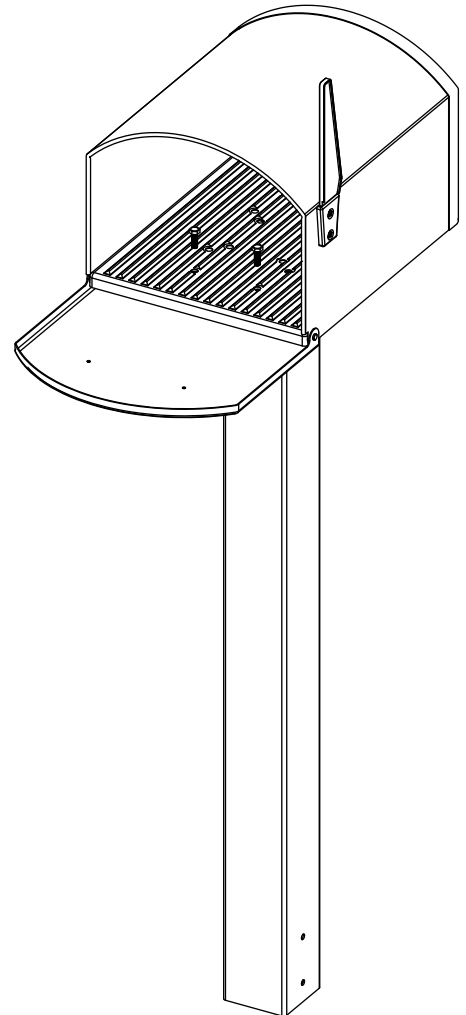
If you require assistance with assembly or part replacement, or for any other matter, contact the toll-free Epoch Design Service Center from anywhere in the Continental United States, Monday through Friday, 9AM - 5PM PST at 1-800-589-7990. You may also email your request or comments to [info@mailboss.com](mailto:info@mailboss.com) and a service representative will respond. You can also find helpful hints and tips on our website: [www.mailboss.com](http://www.mailboss.com).



- 1 Attach the post extension bracket to your post using the existing post bolts provided. **You will need to use a socket wrench with at least a 6" extension.**



- 2 Install your mailbox onto the post extension bracket using the four 12mm bolts provided.



**Have a question?... Need a part ASAP?...1-800-589-7990**

Copyright © 2022 Epoch Design™ All rights reserved