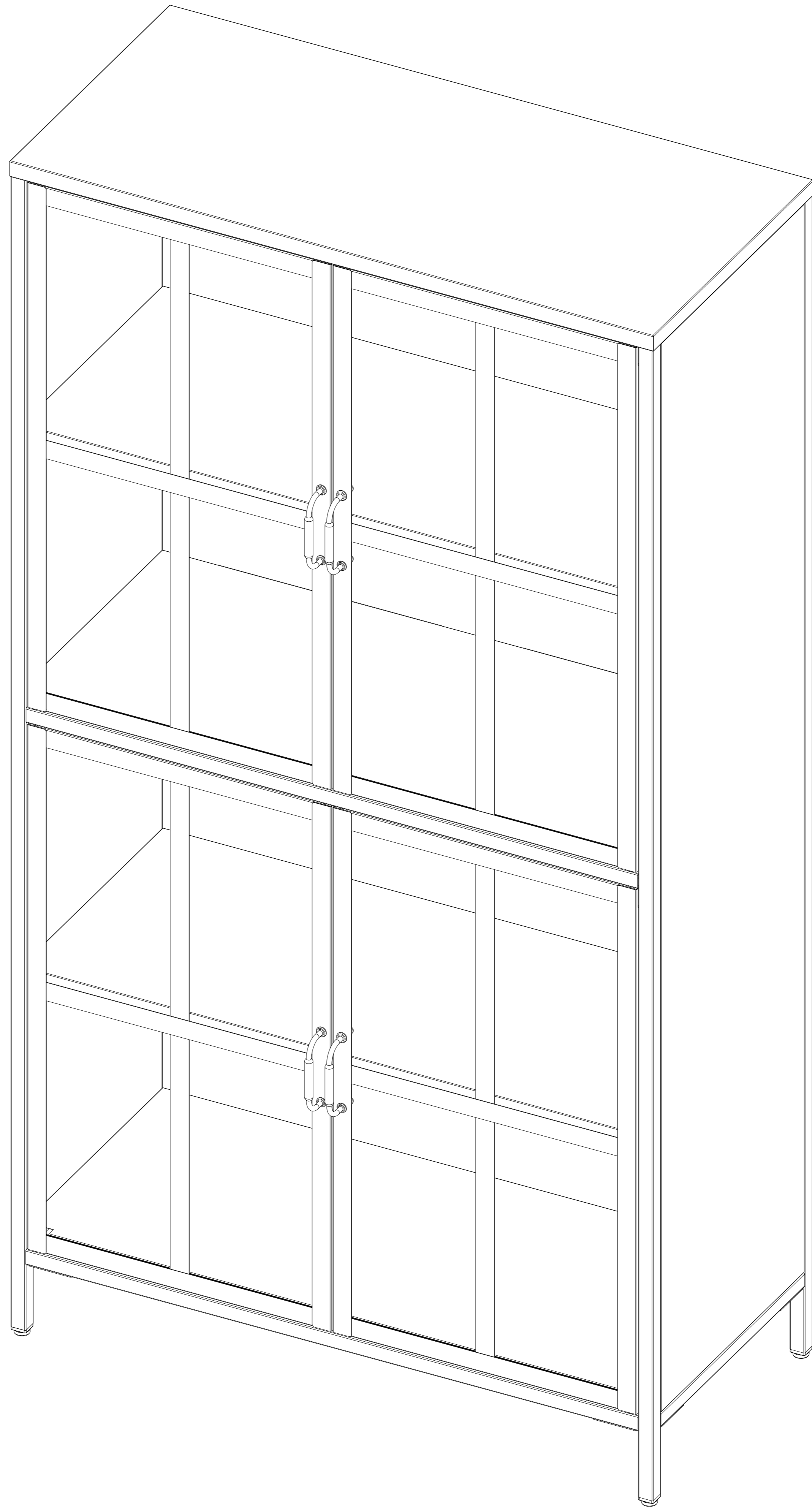
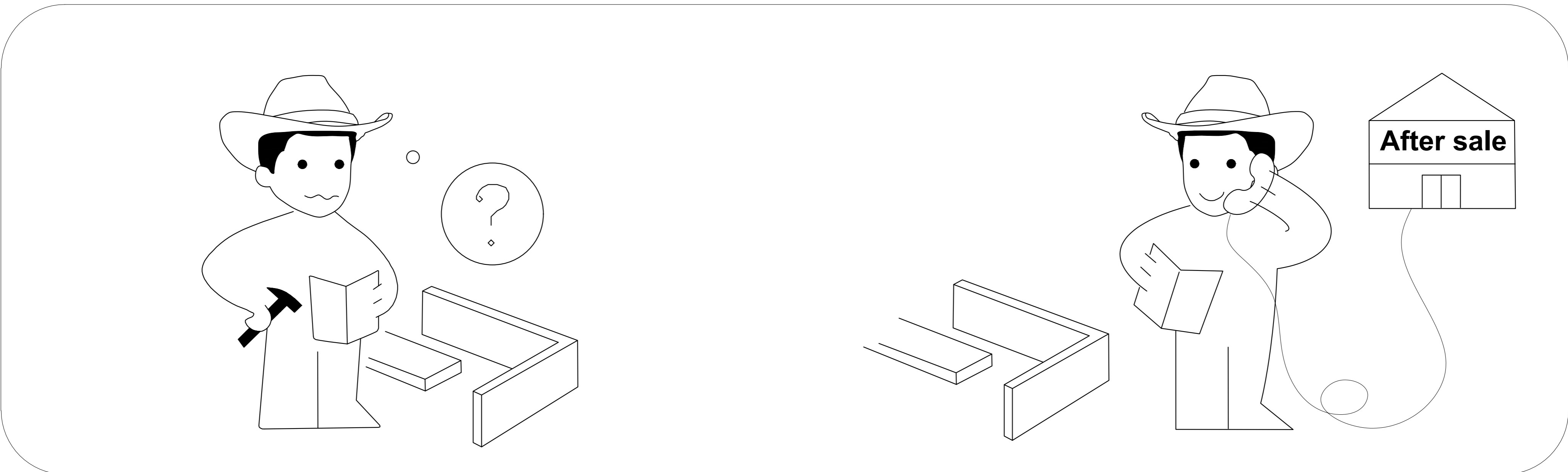
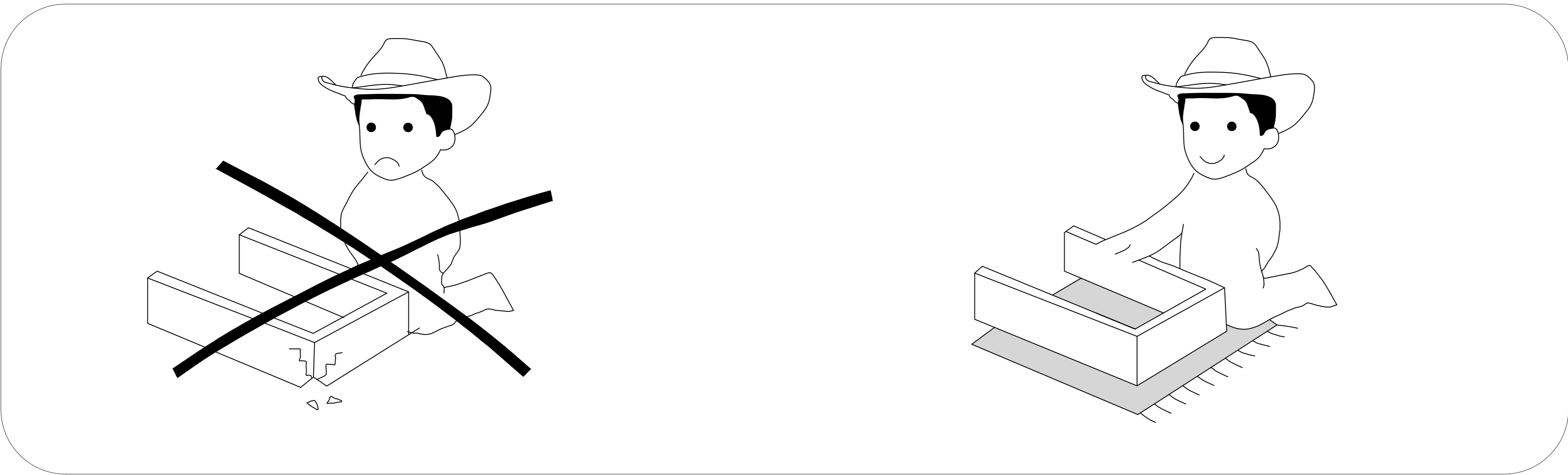
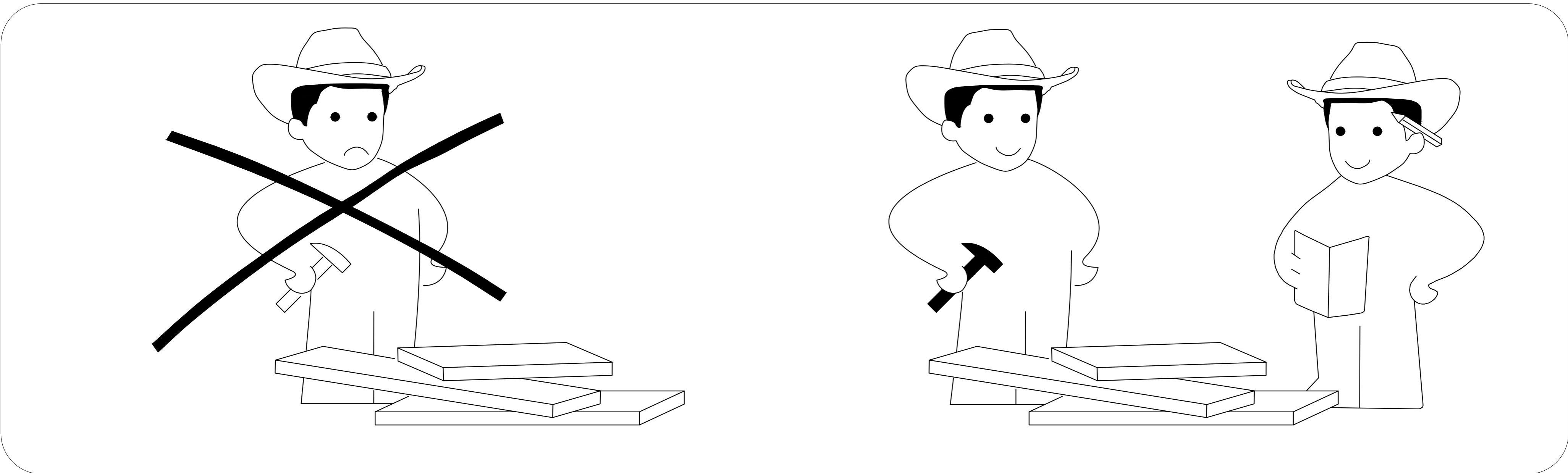
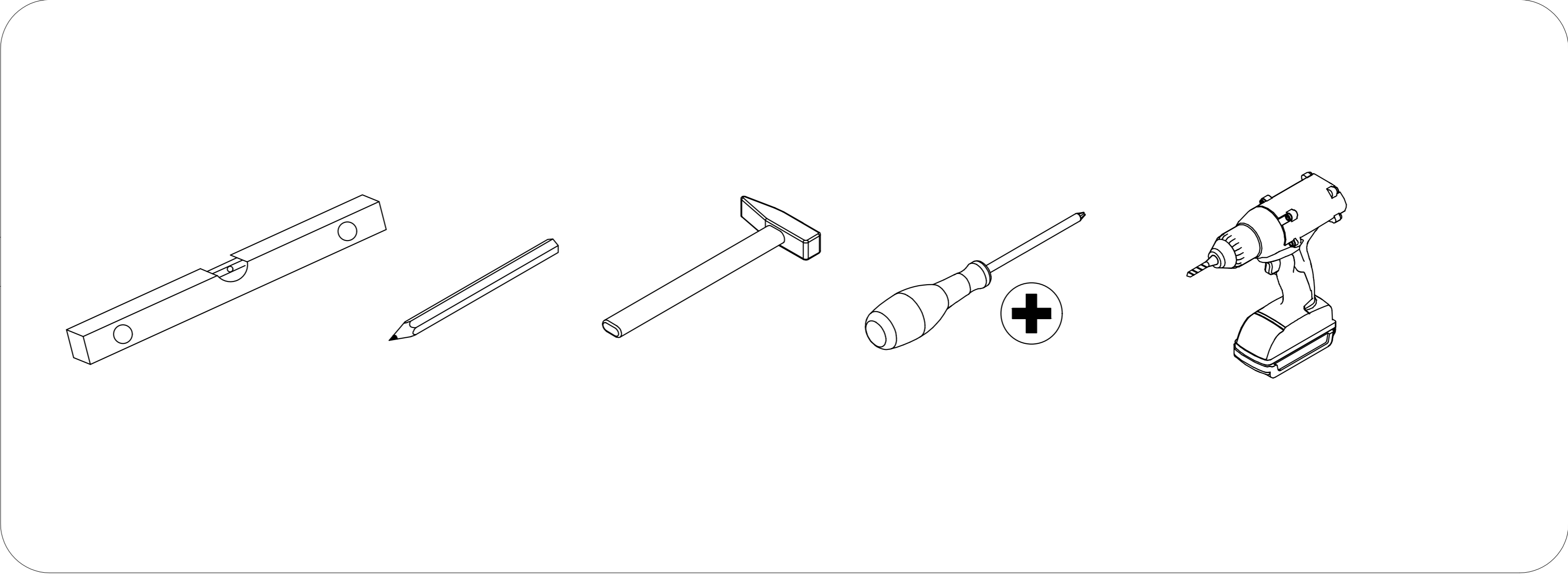
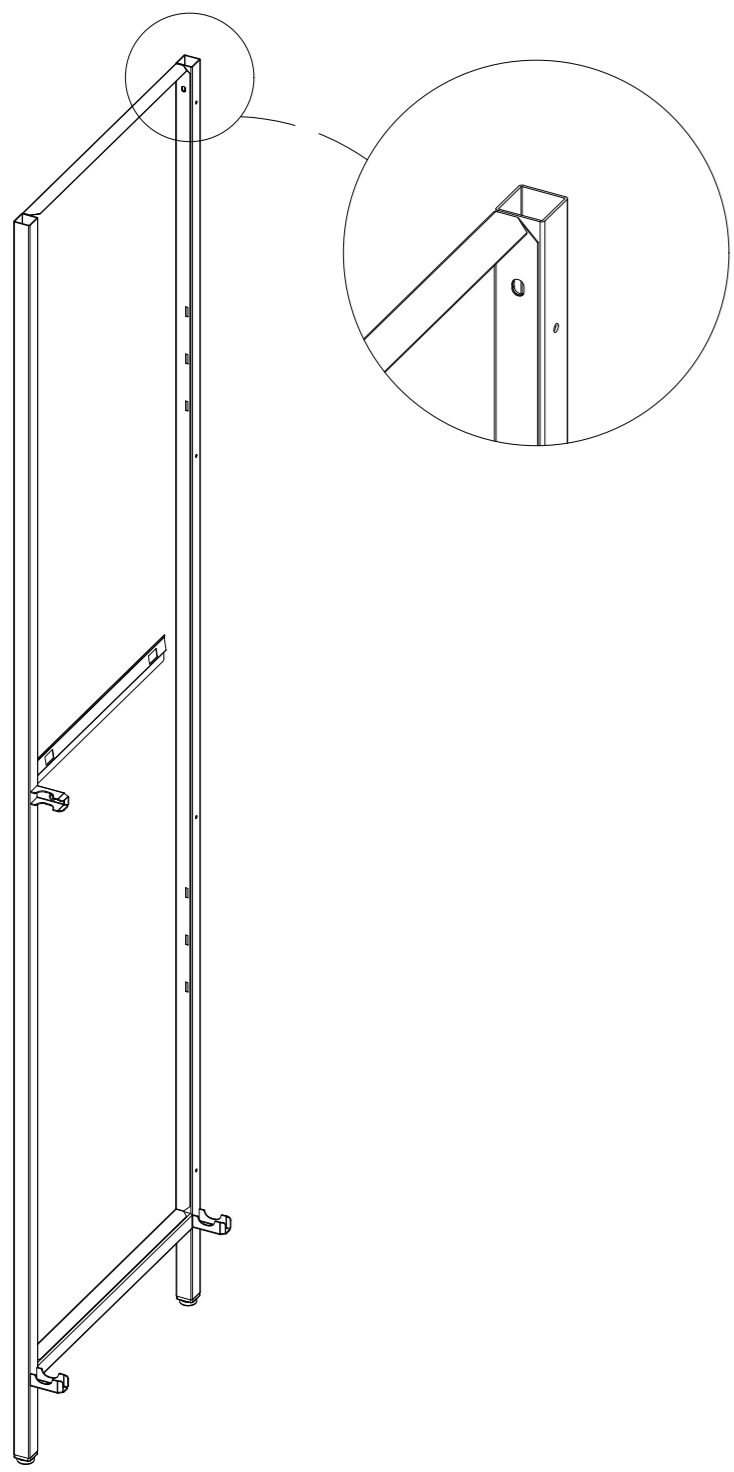


# Installation & Assembly

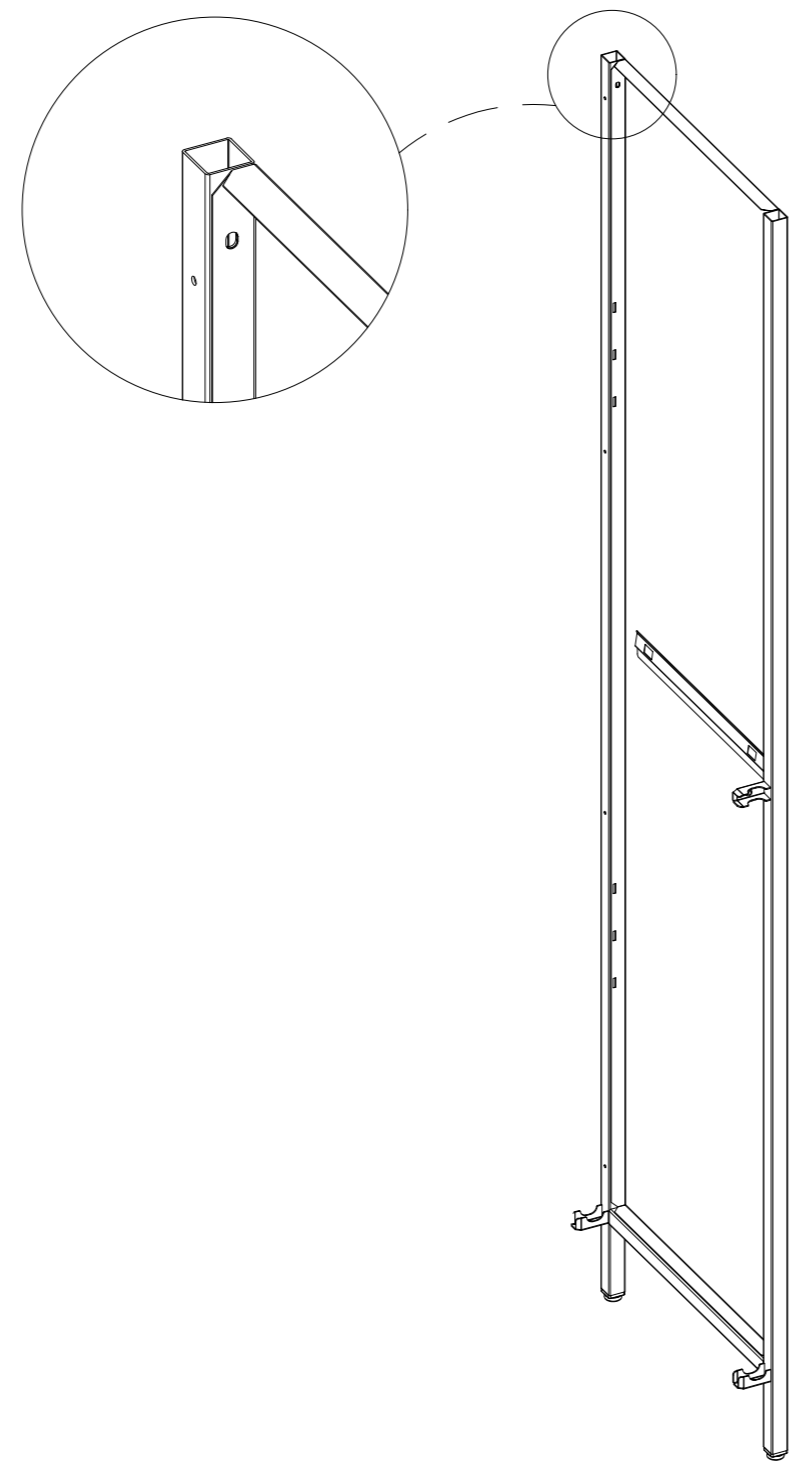




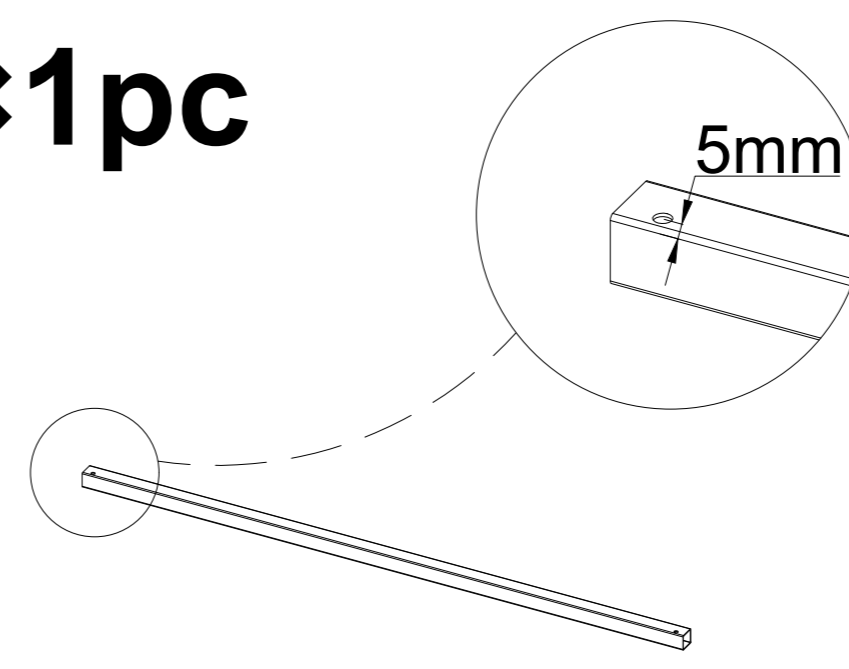
1×1pc



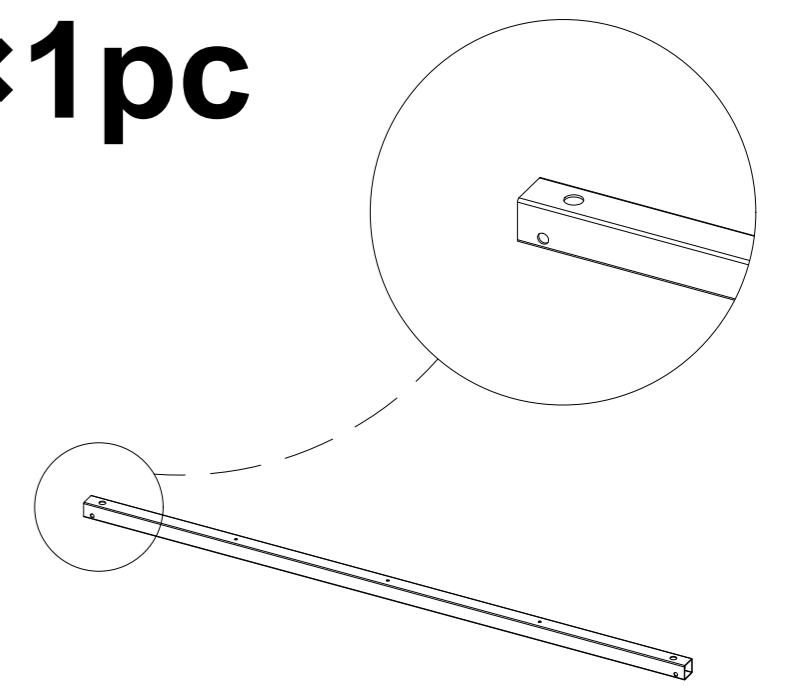
2×1pc



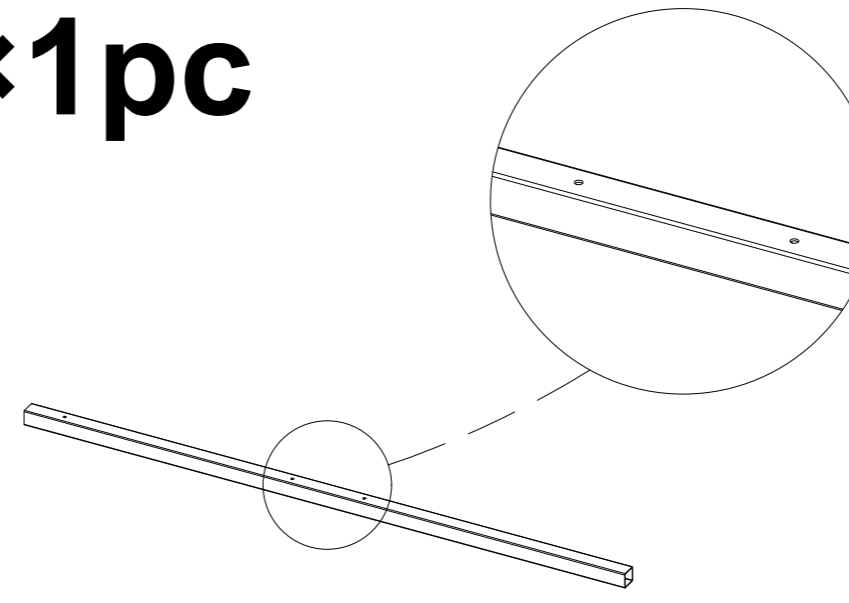
3×1pc



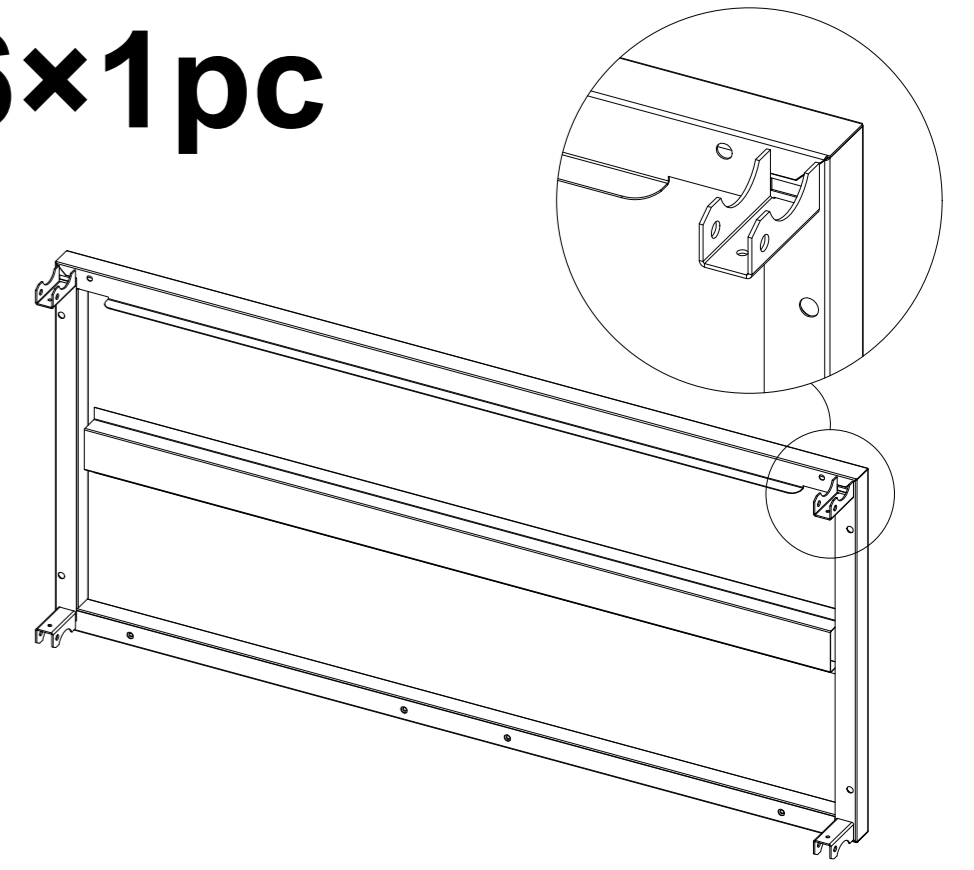
5×1pc



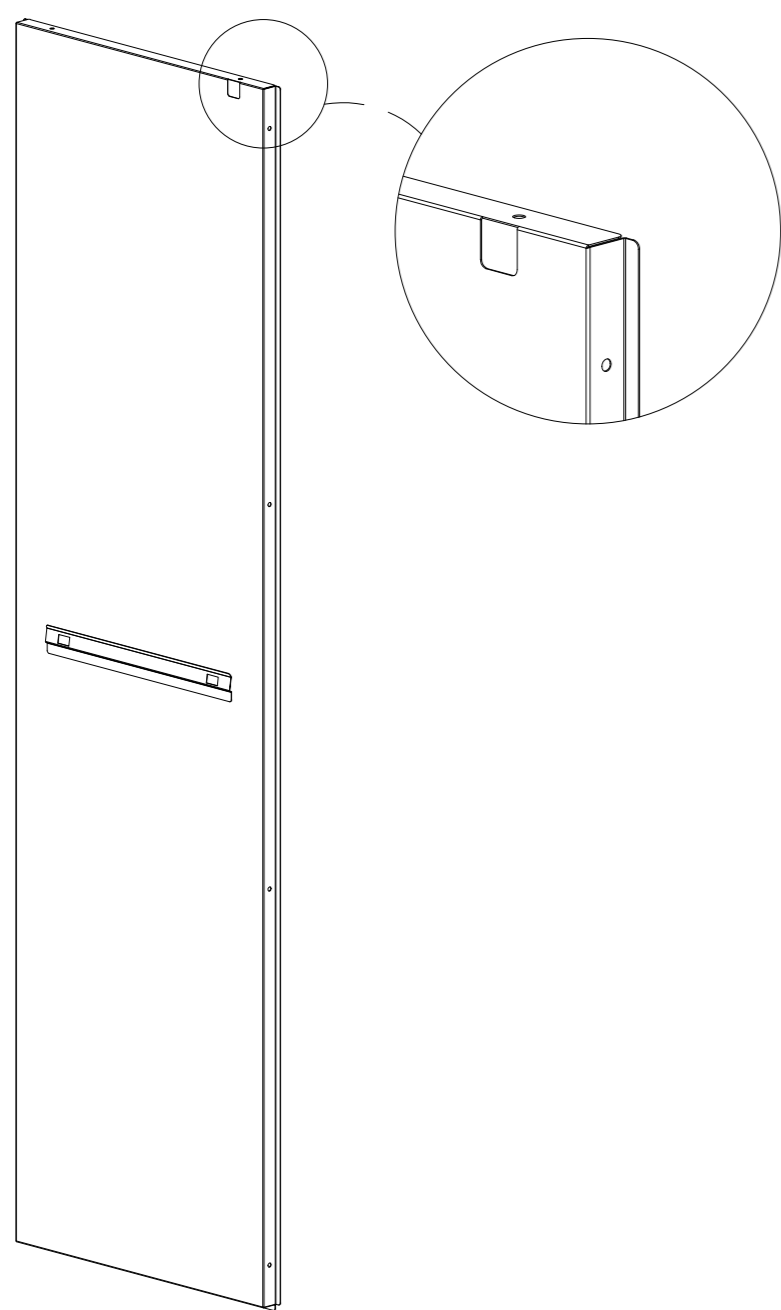
4×1pc



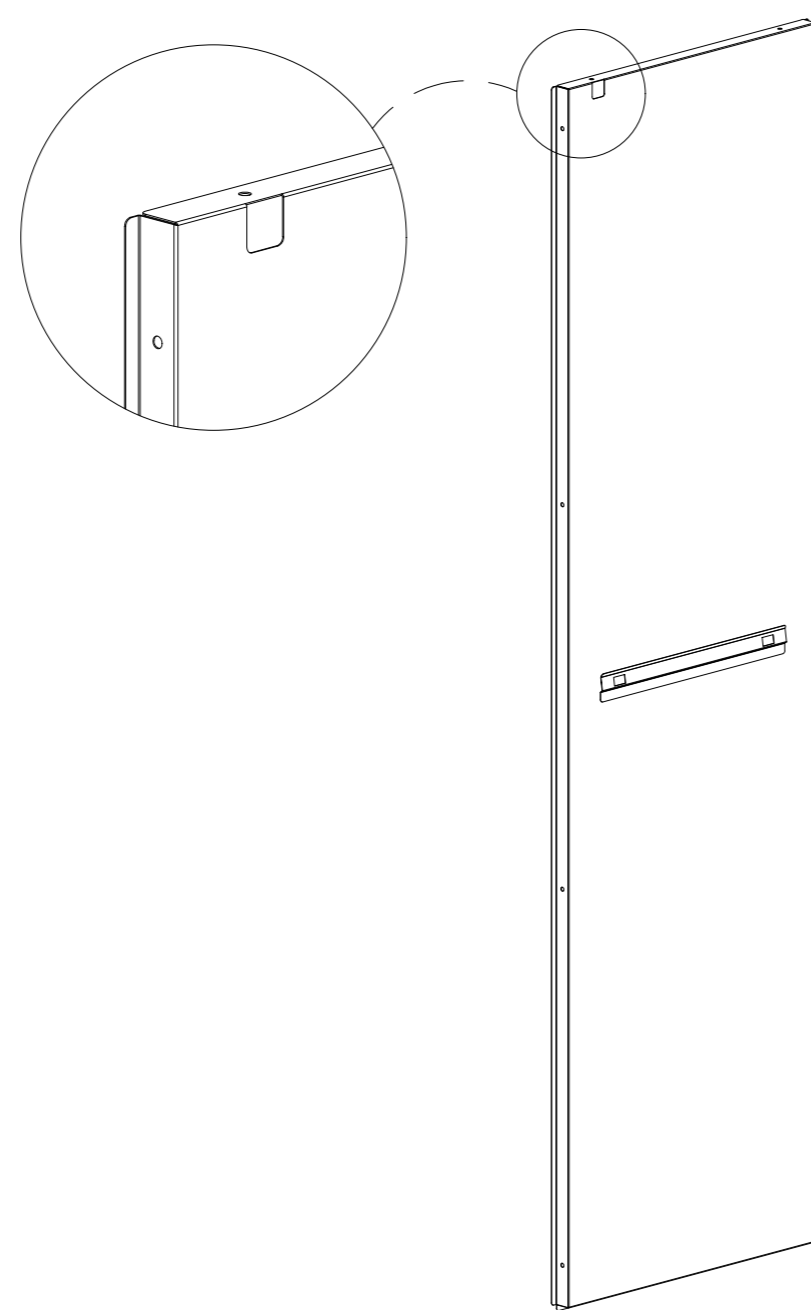
6×1pc



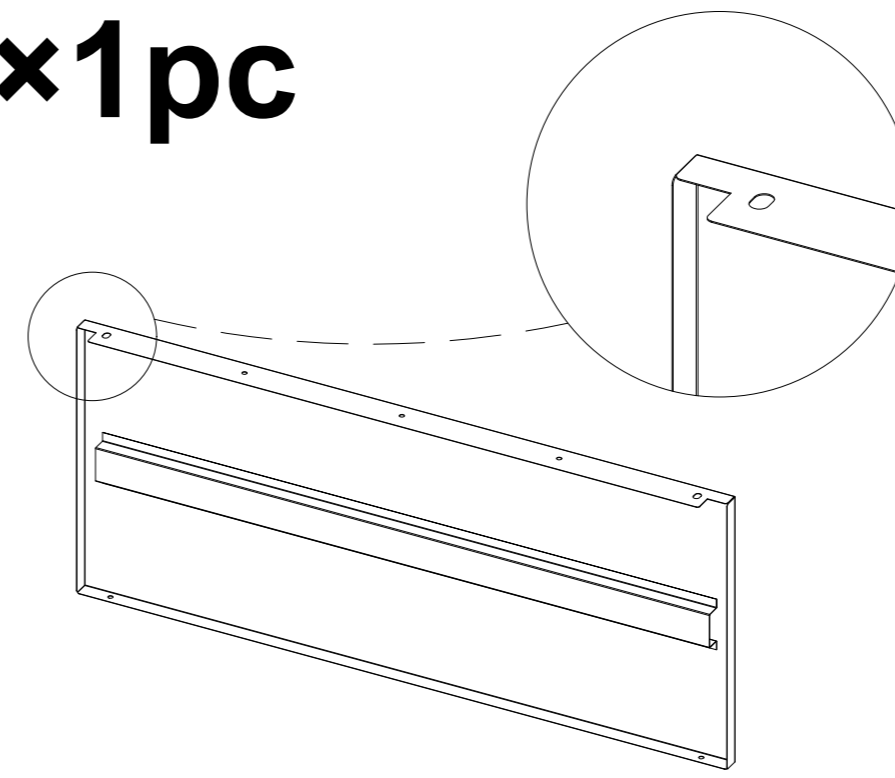
7×1pc



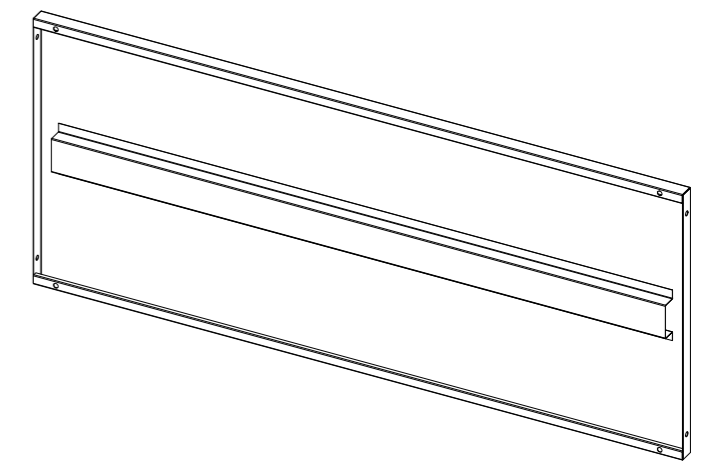
8×1pc



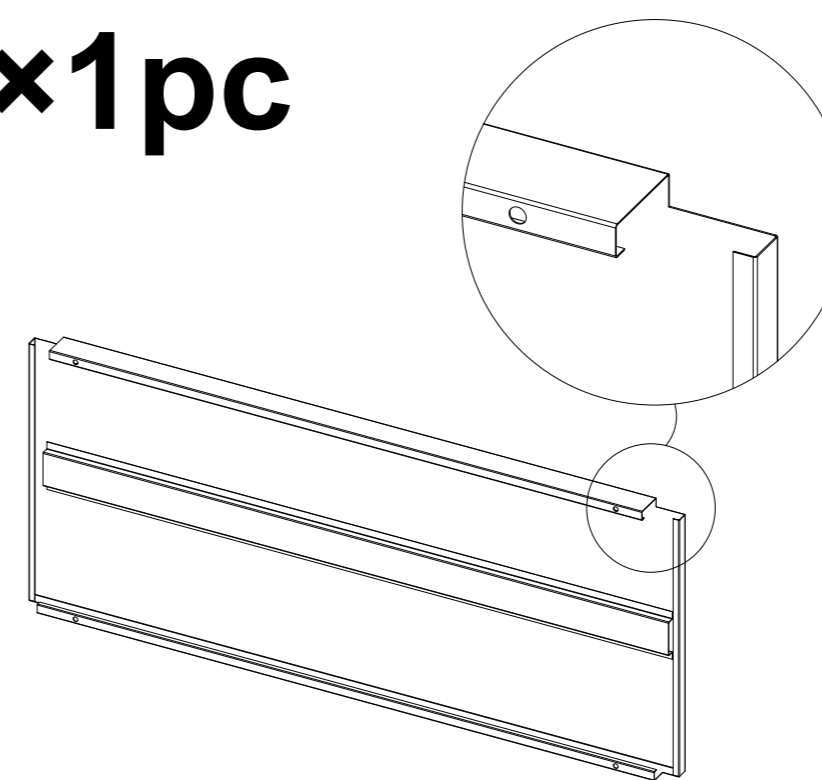
9×1pc



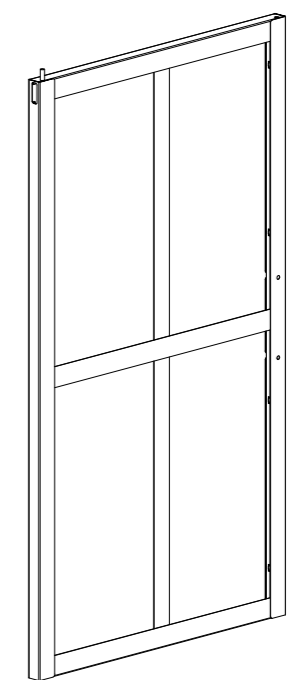
11×2pcs



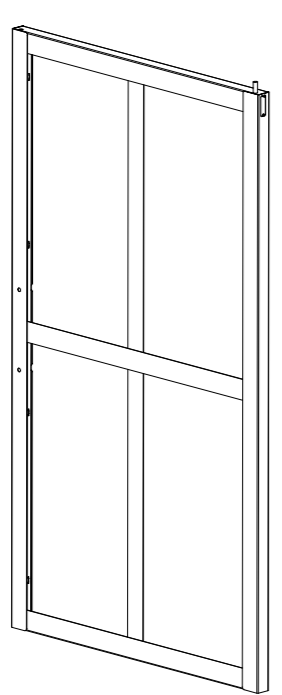
10×1pc



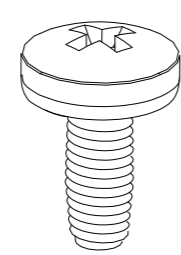
12×2pcs



13×2pcs

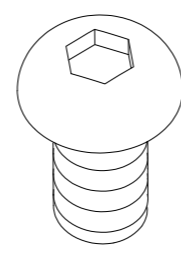


A×39pcs



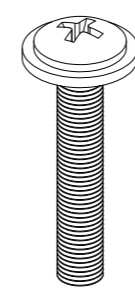
M4×8 mm

B×6pcs



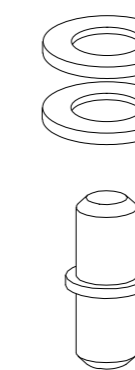
M6×10 mm

C×8pcs



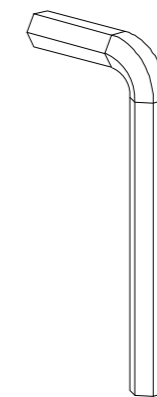
M4×22 mm

D×4pcs



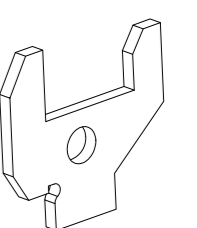
Ø4.8×22 mm

E×1pc

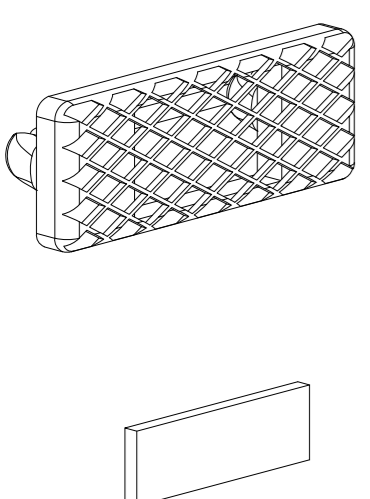


4 mm

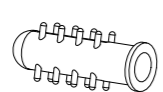
F×8pcs



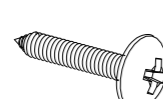
G×8pcs



H×2pcs

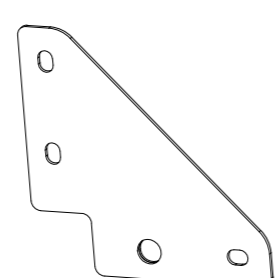


M8

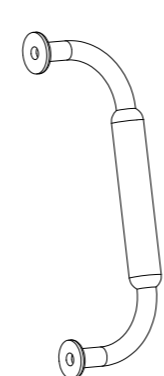


M5×40 mm

I×4pcs

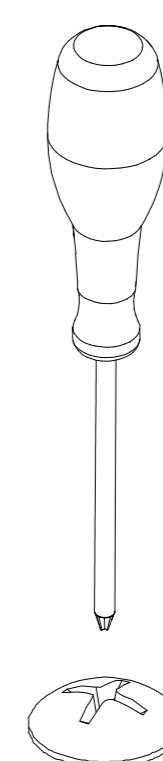
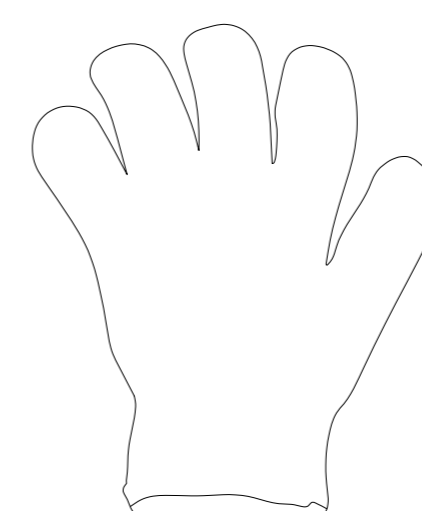
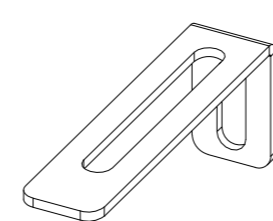


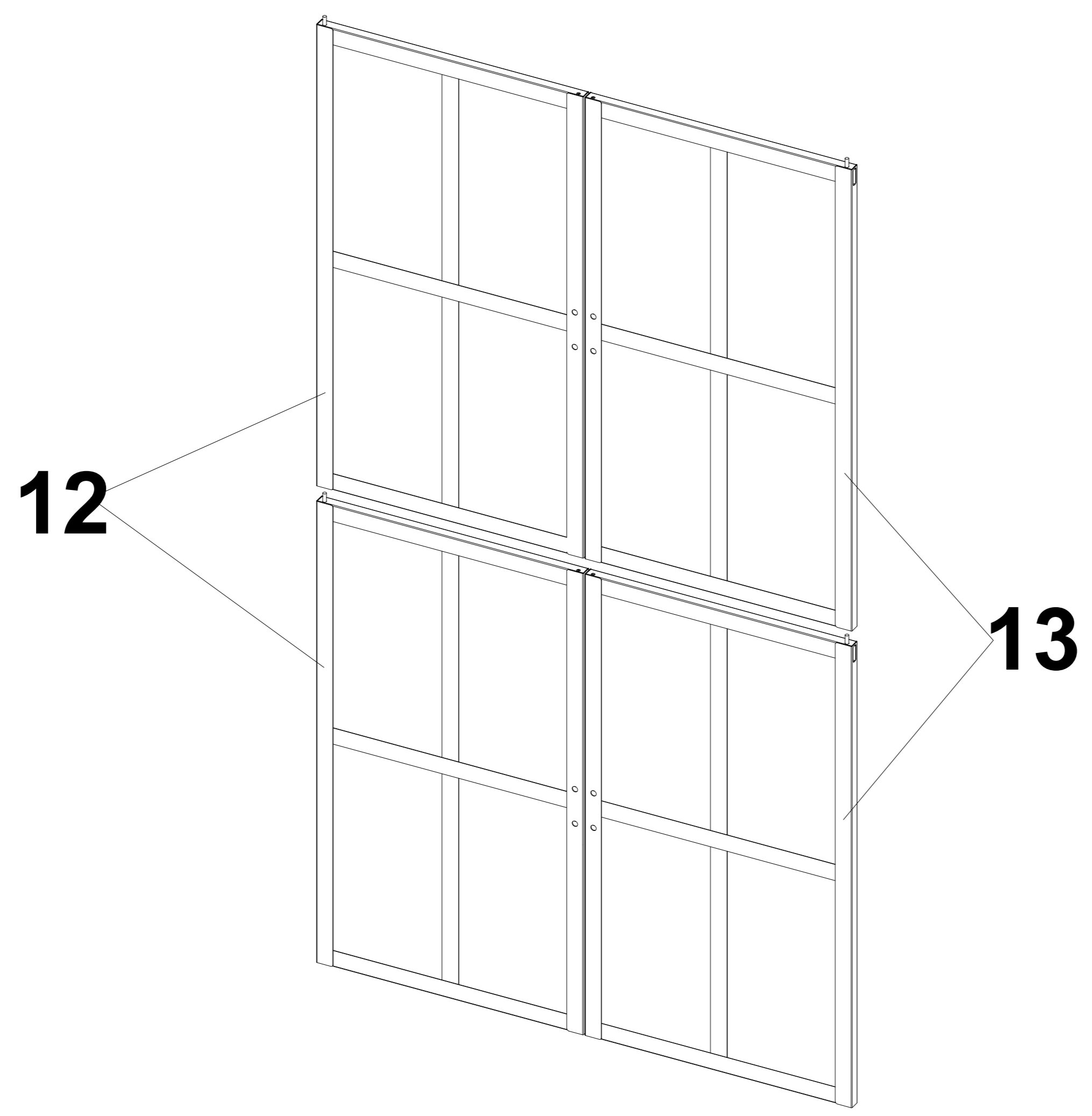
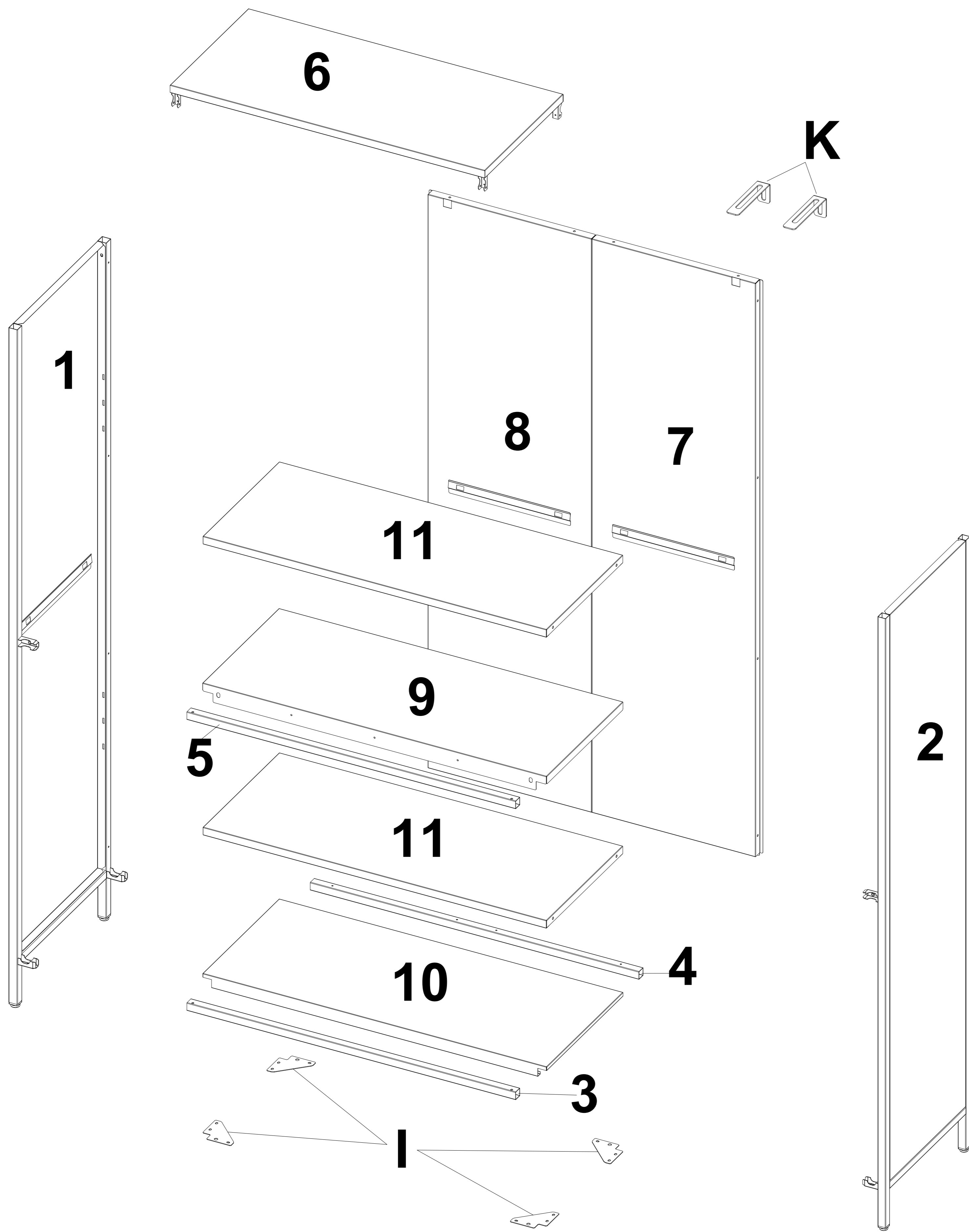
J×4pcs



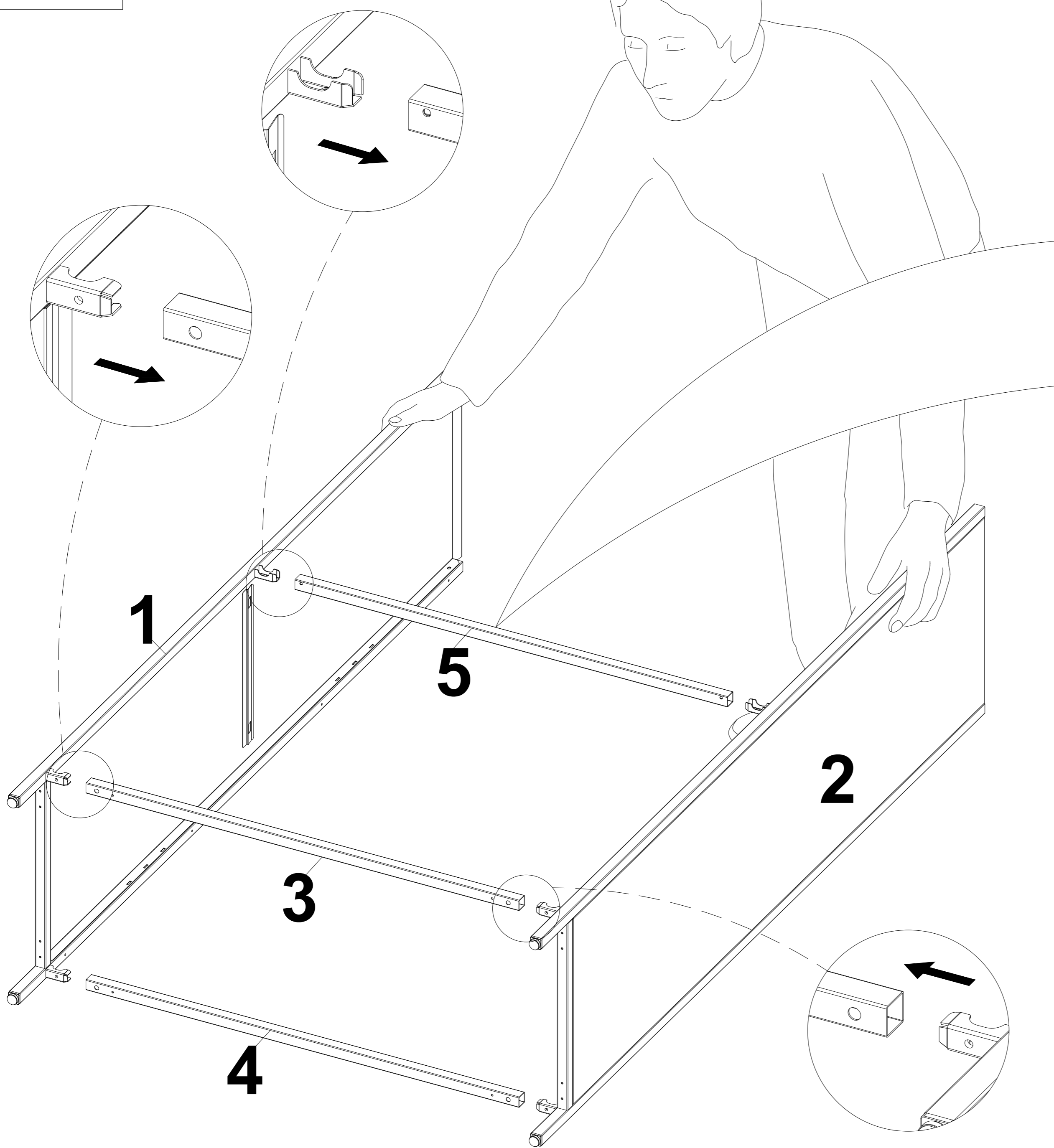
96 mm

K×2pcs

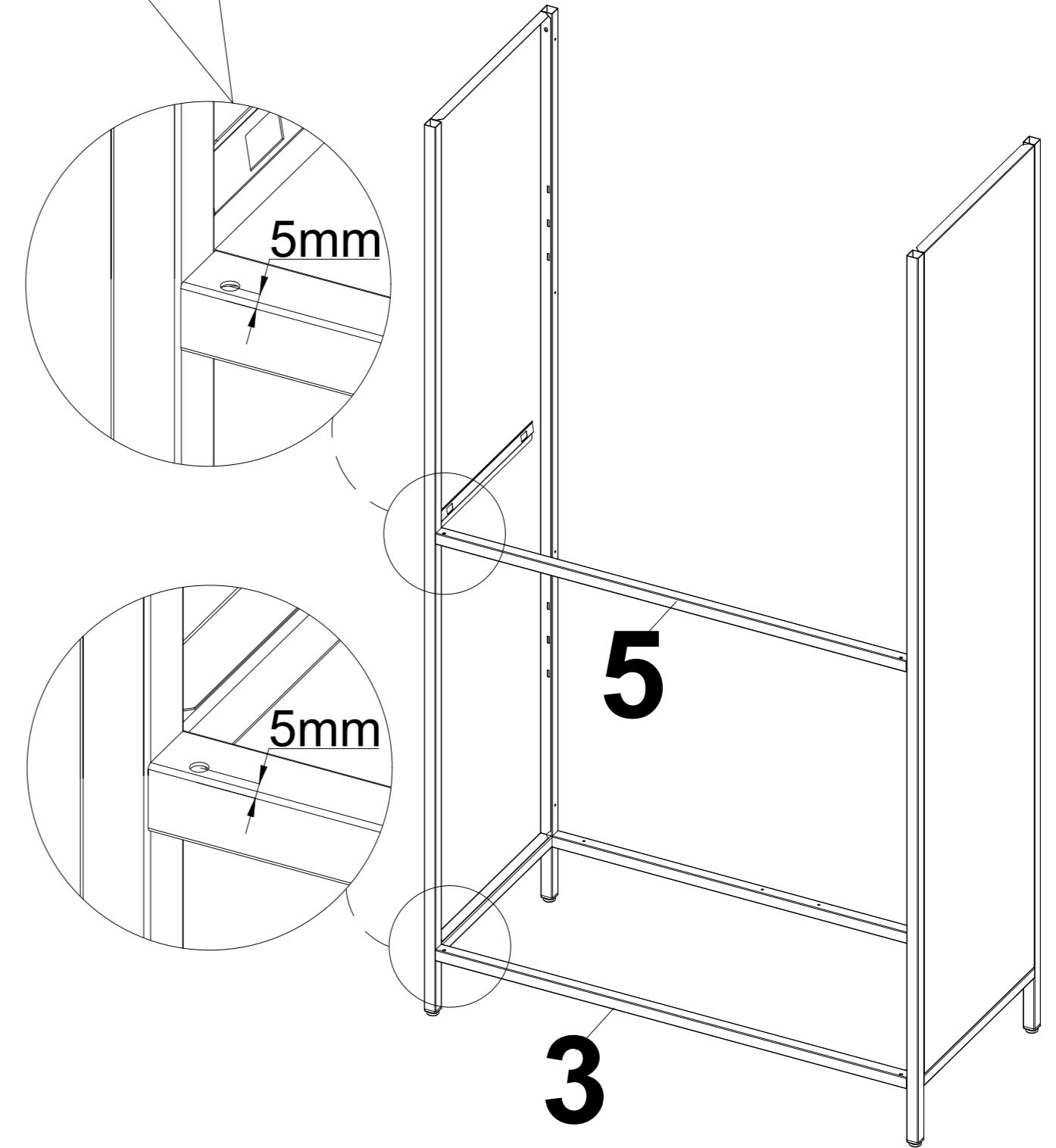




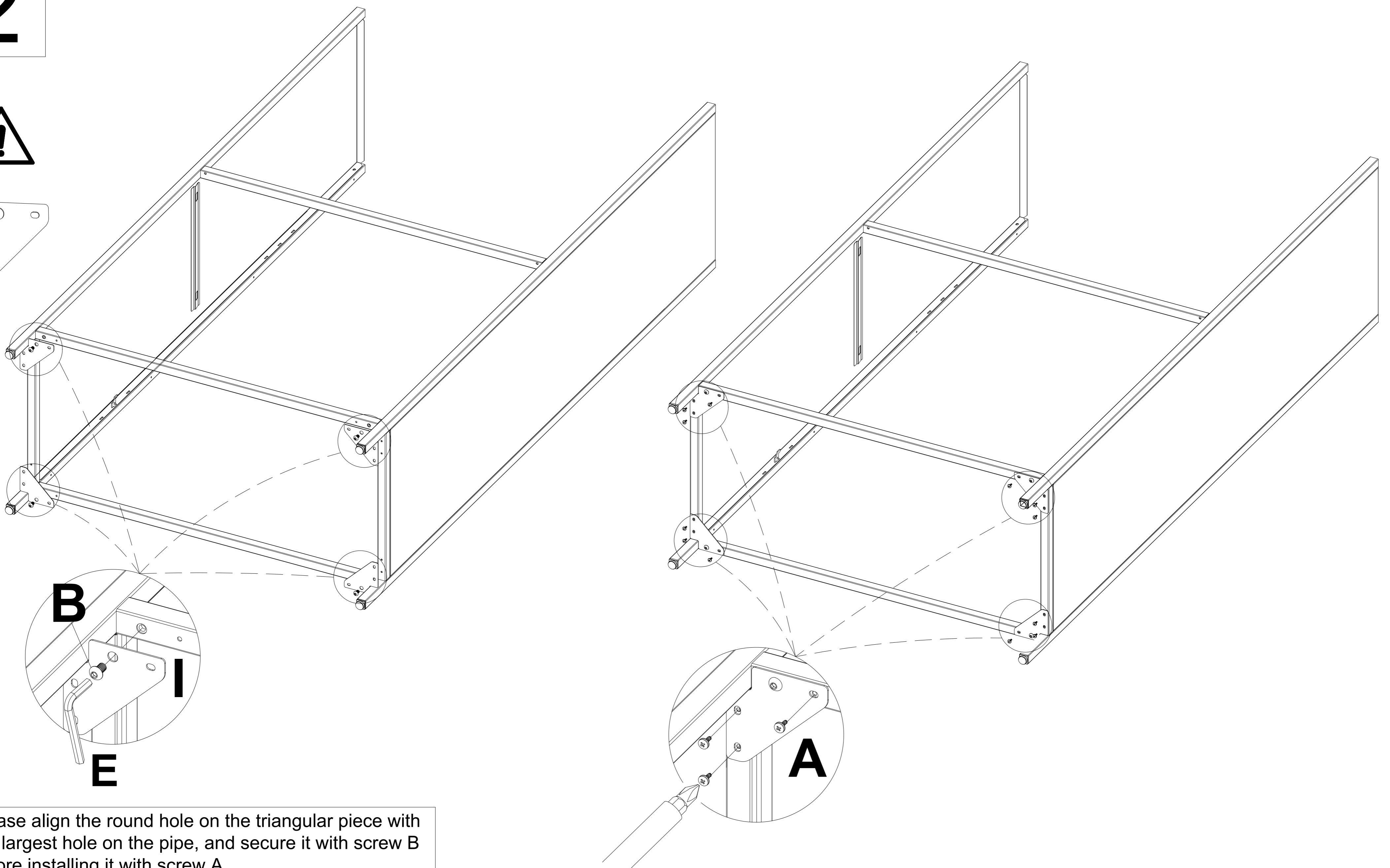
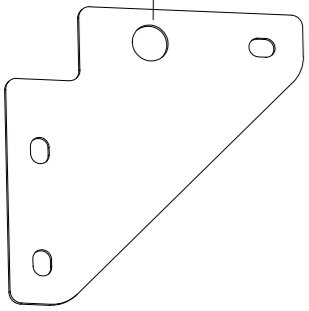
# 1



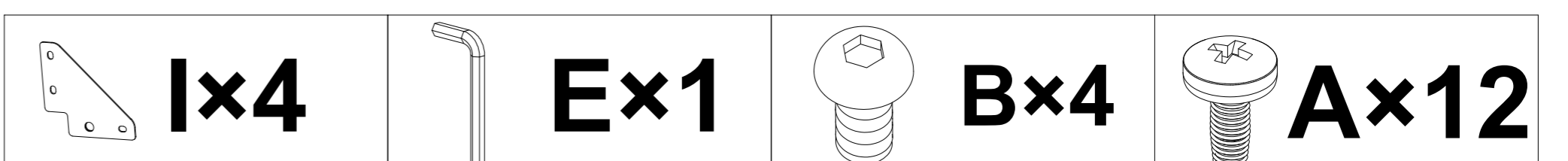
Please note that the hole is located on the outer side. When installing, distinguish the front and back directions of components 5 and 3, as well as the left and right directions.



# 2

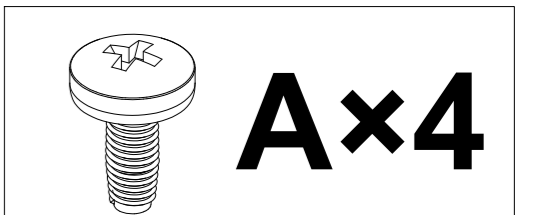
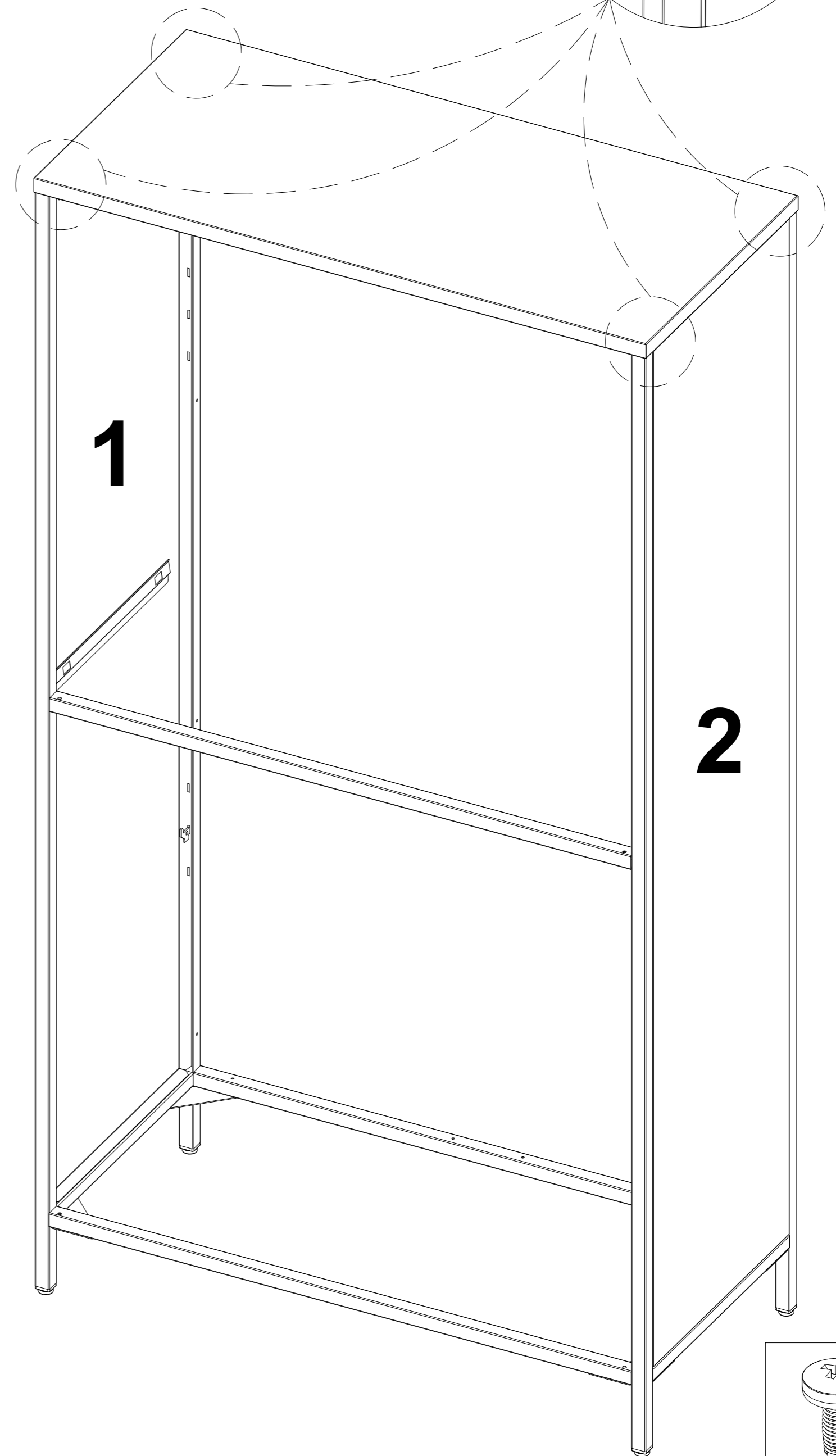
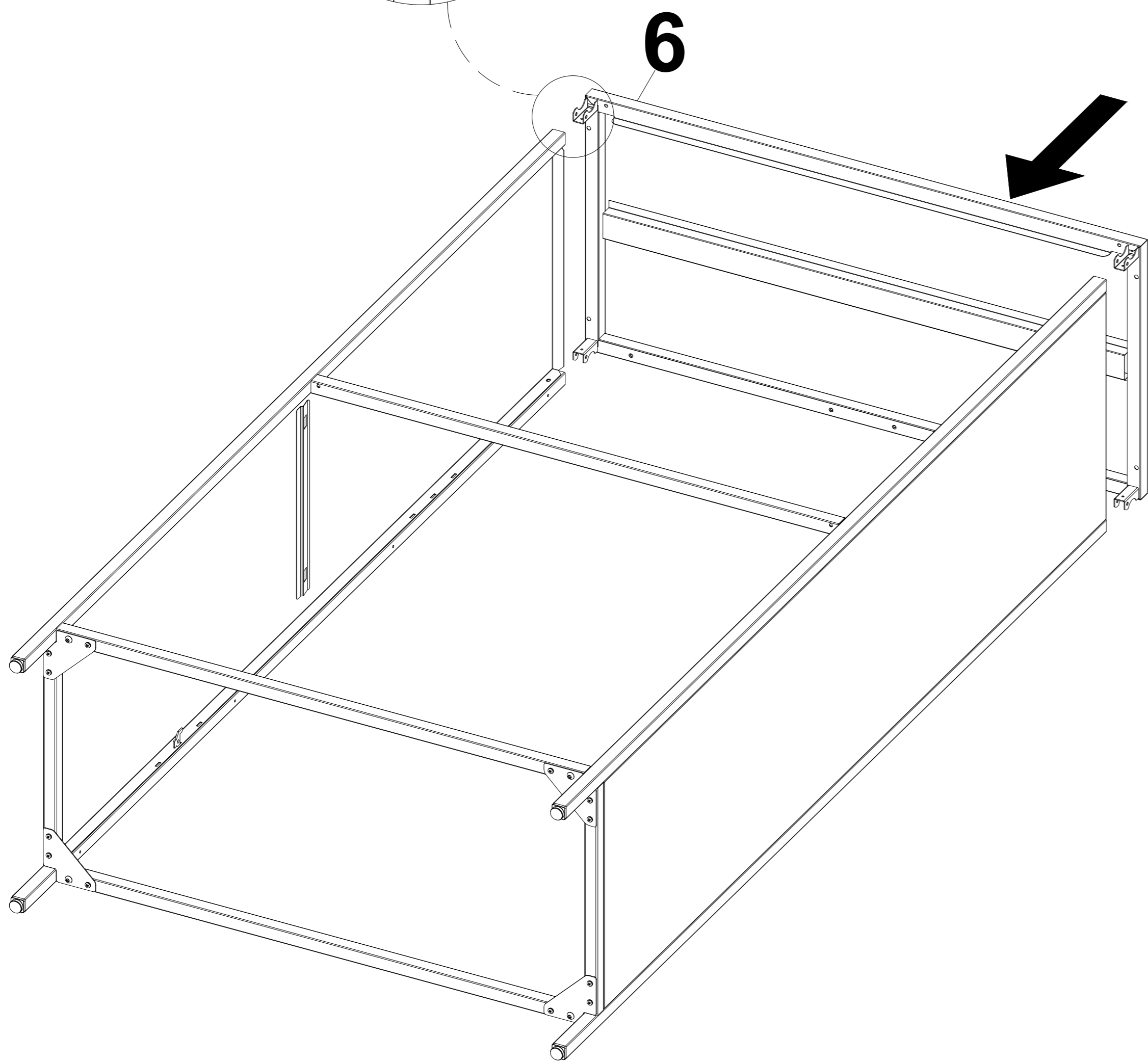
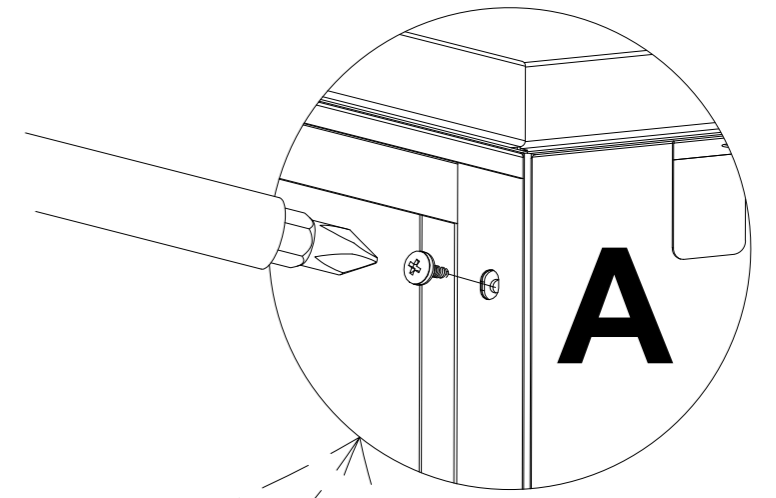
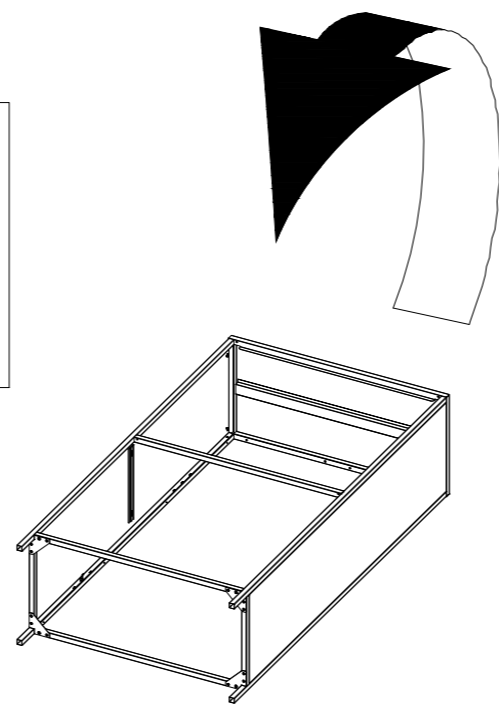
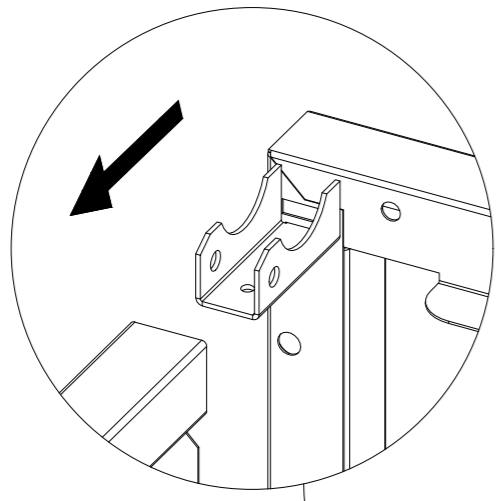


Please align the round hole on the triangular piece with the largest hole on the pipe, and secure it with screw B before installing it with screw A.

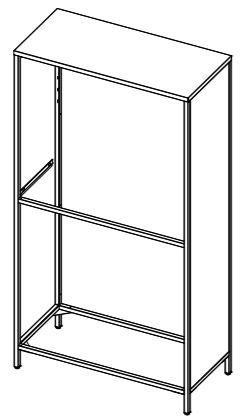
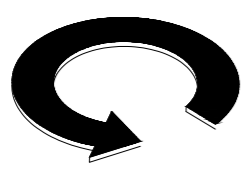


3

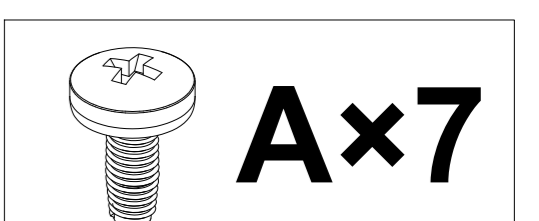
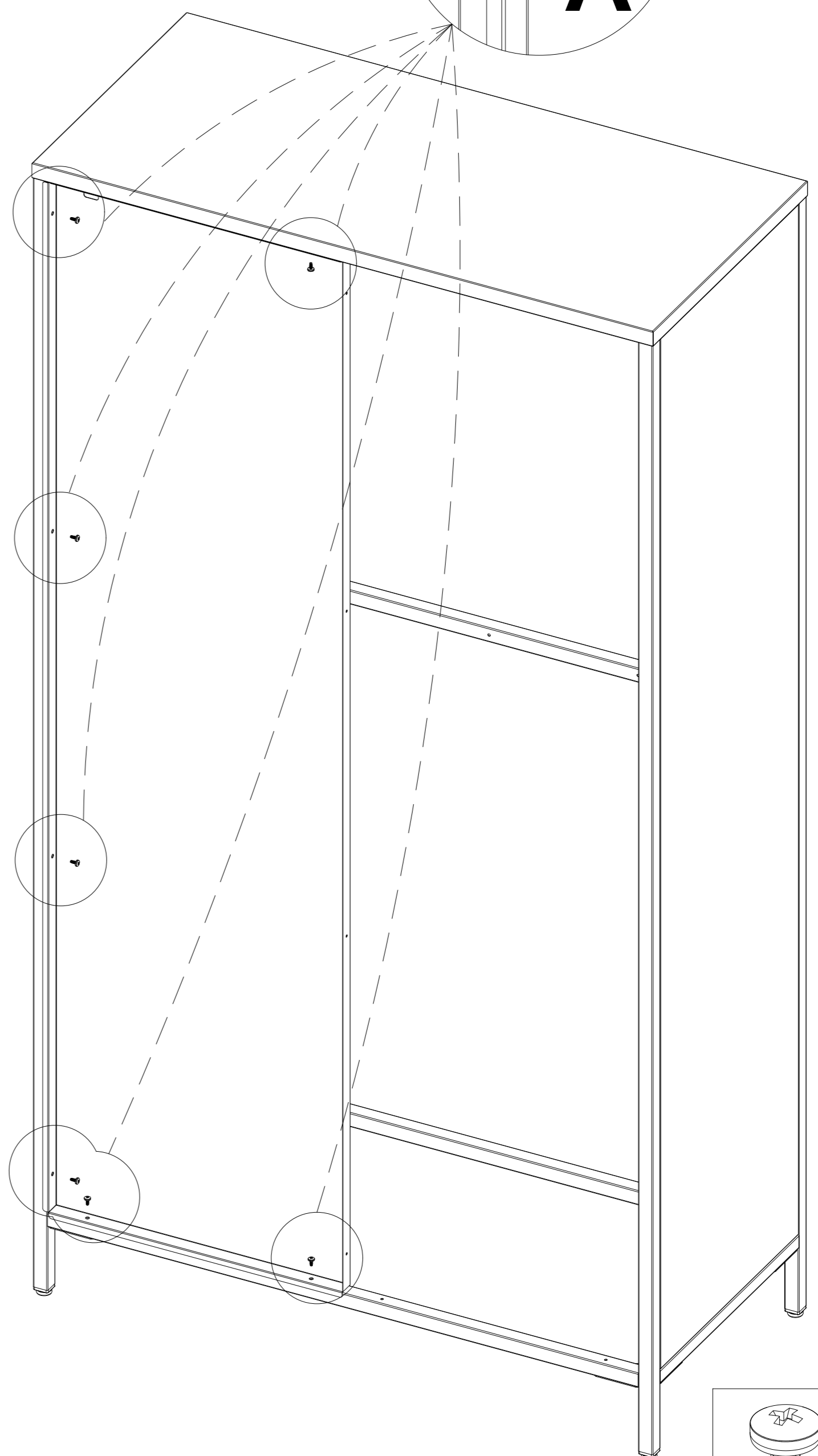
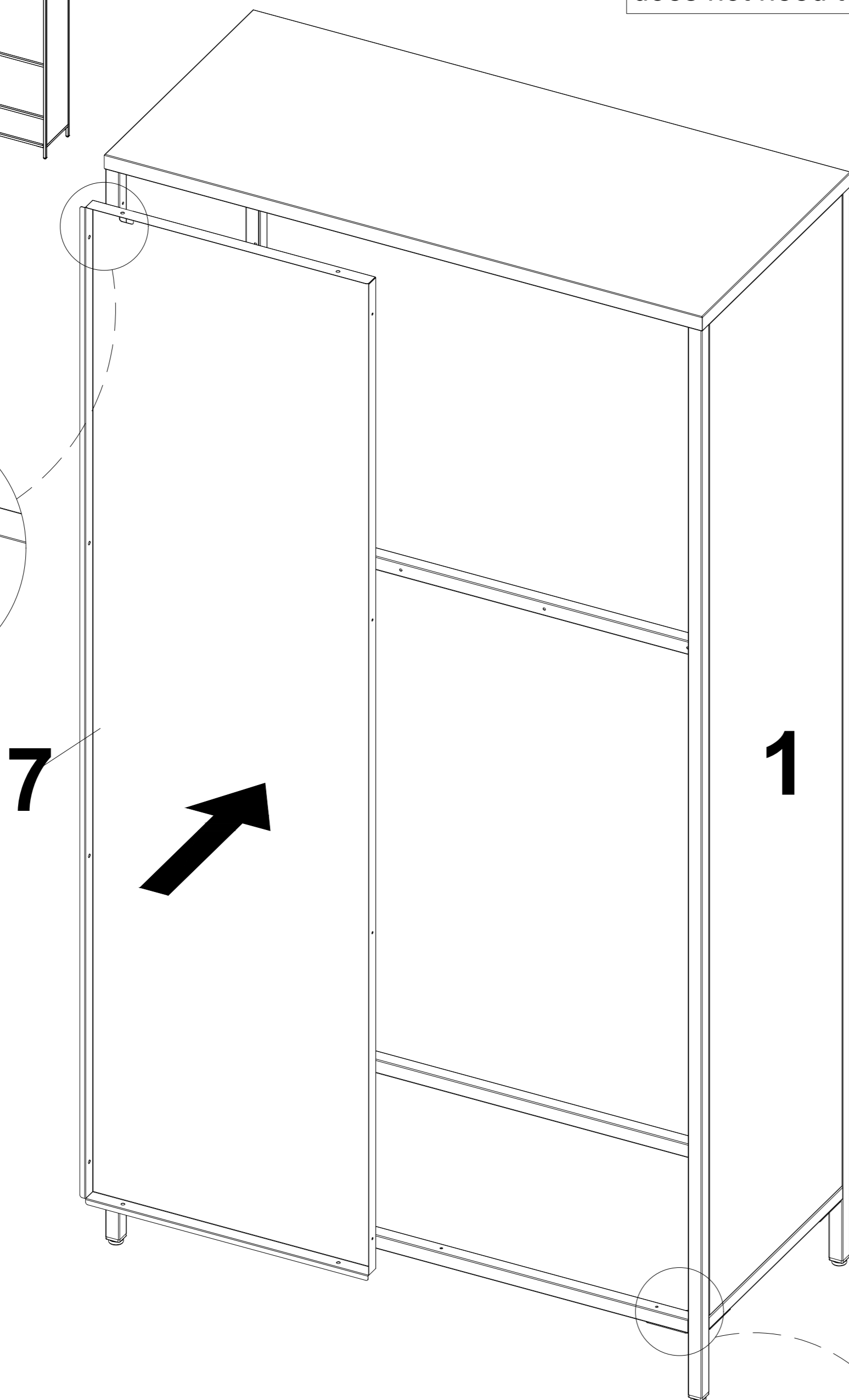
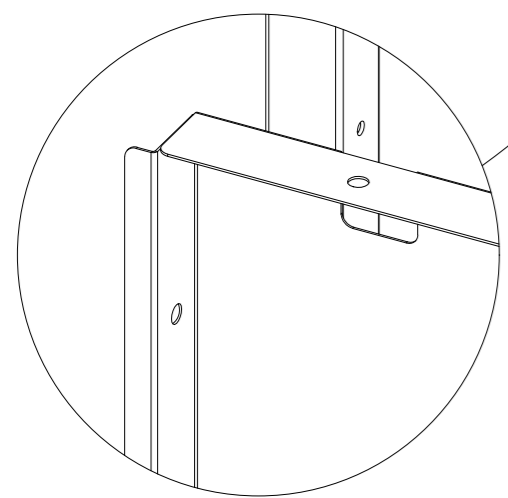
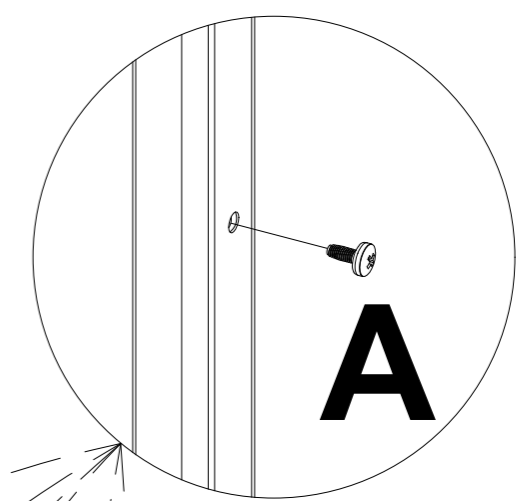
After installing component number 6, you can firmly tap the four corners of the component to reduce the gap between component number 6 and the cabinet.



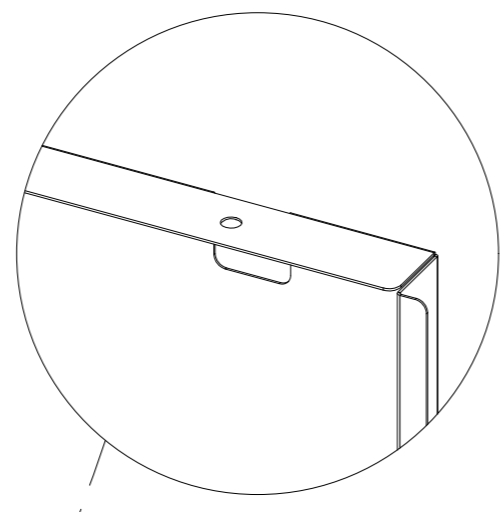
4



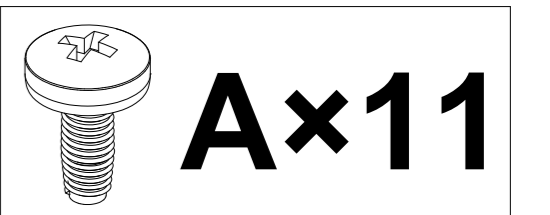
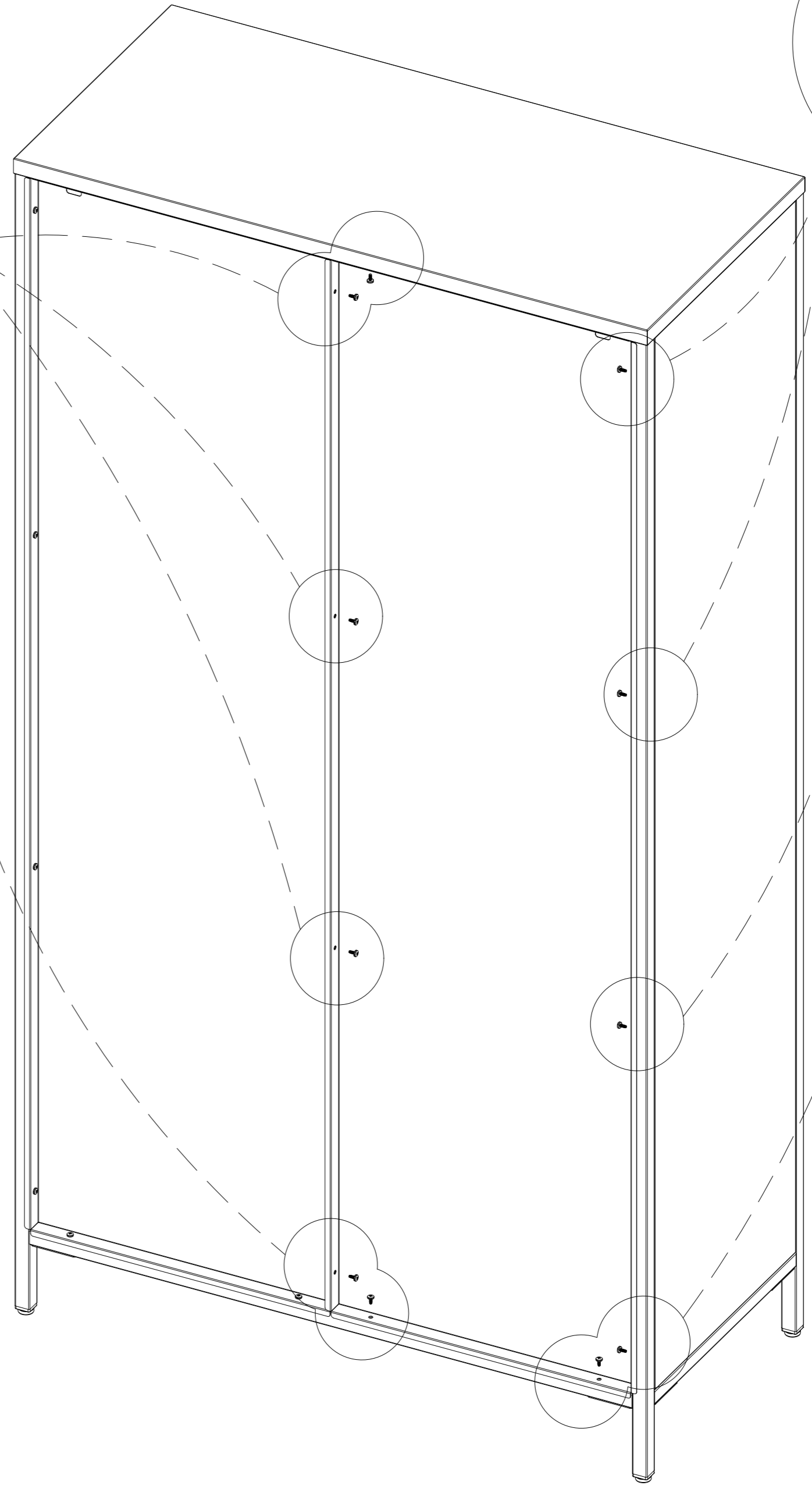
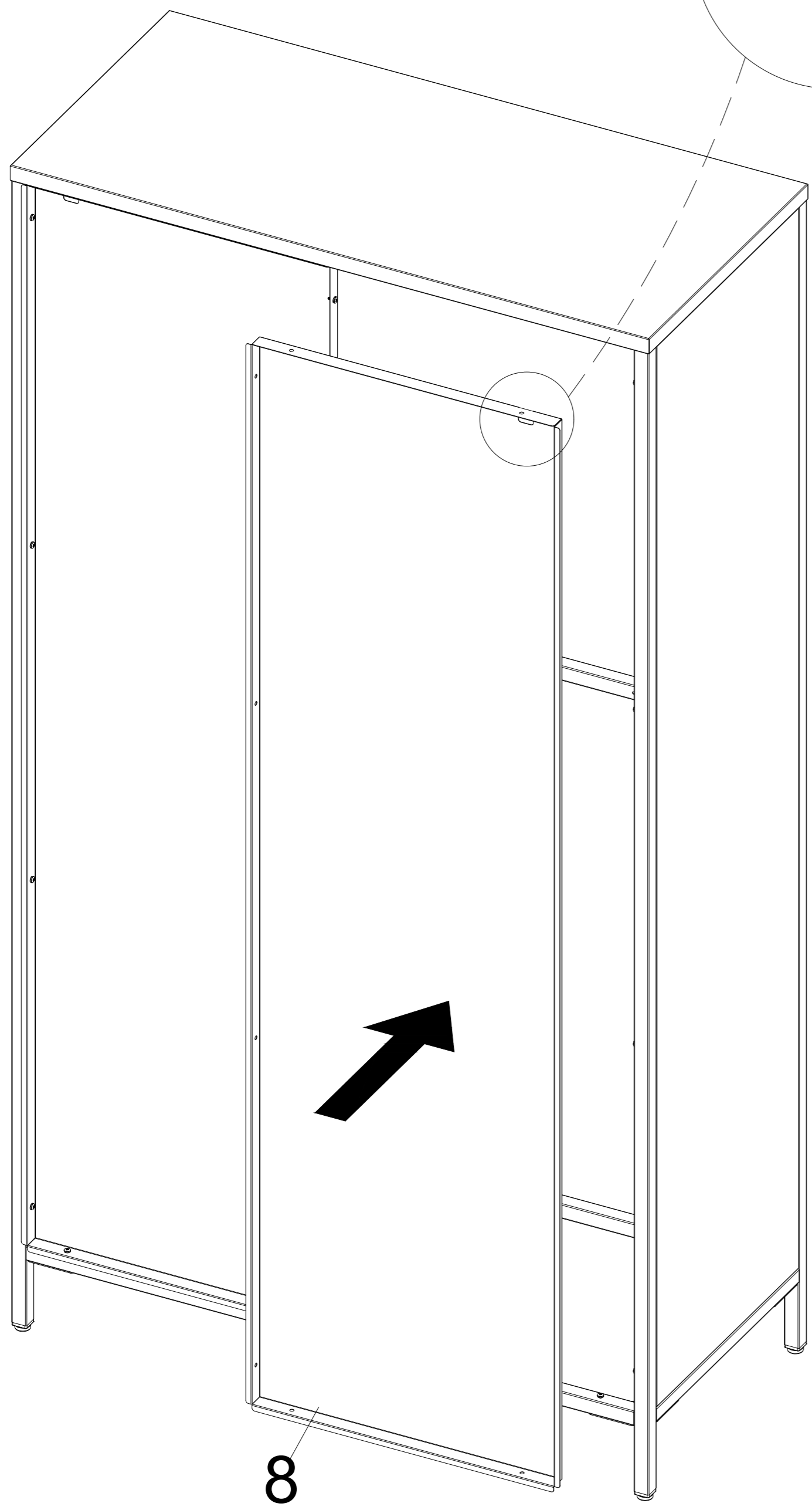
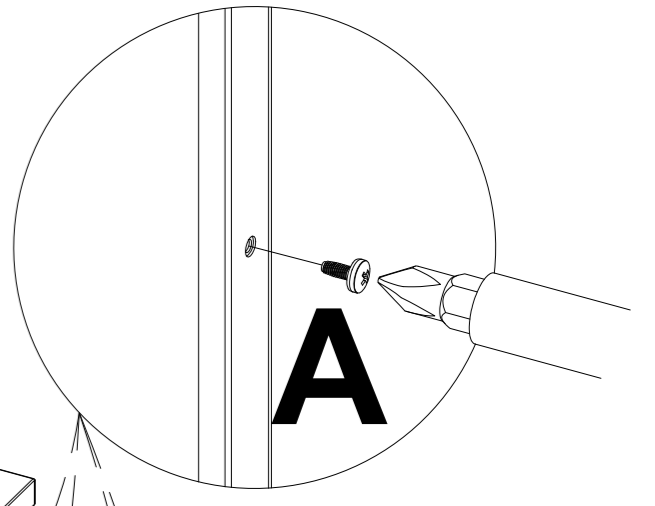
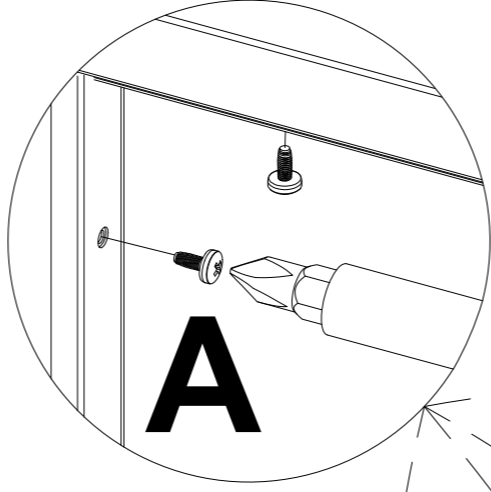
Pay attention to the position of the gap and the gap does not need to be installed with screws.



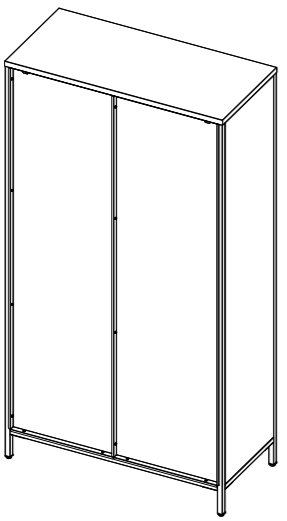
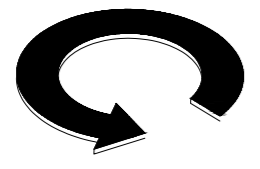
5



Pay attention to the position of the gap and the gap does not need to be installed with screws.



6

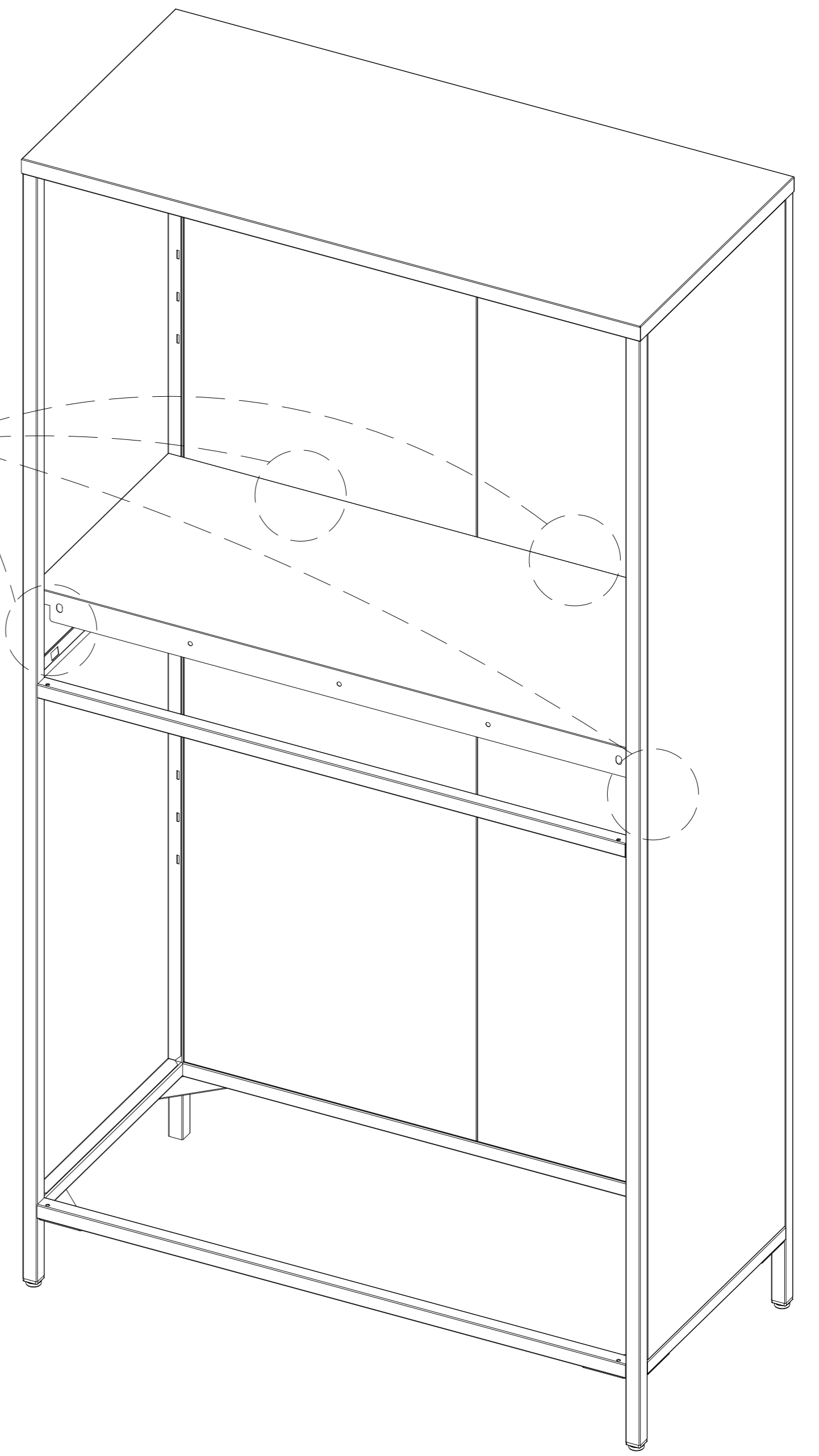
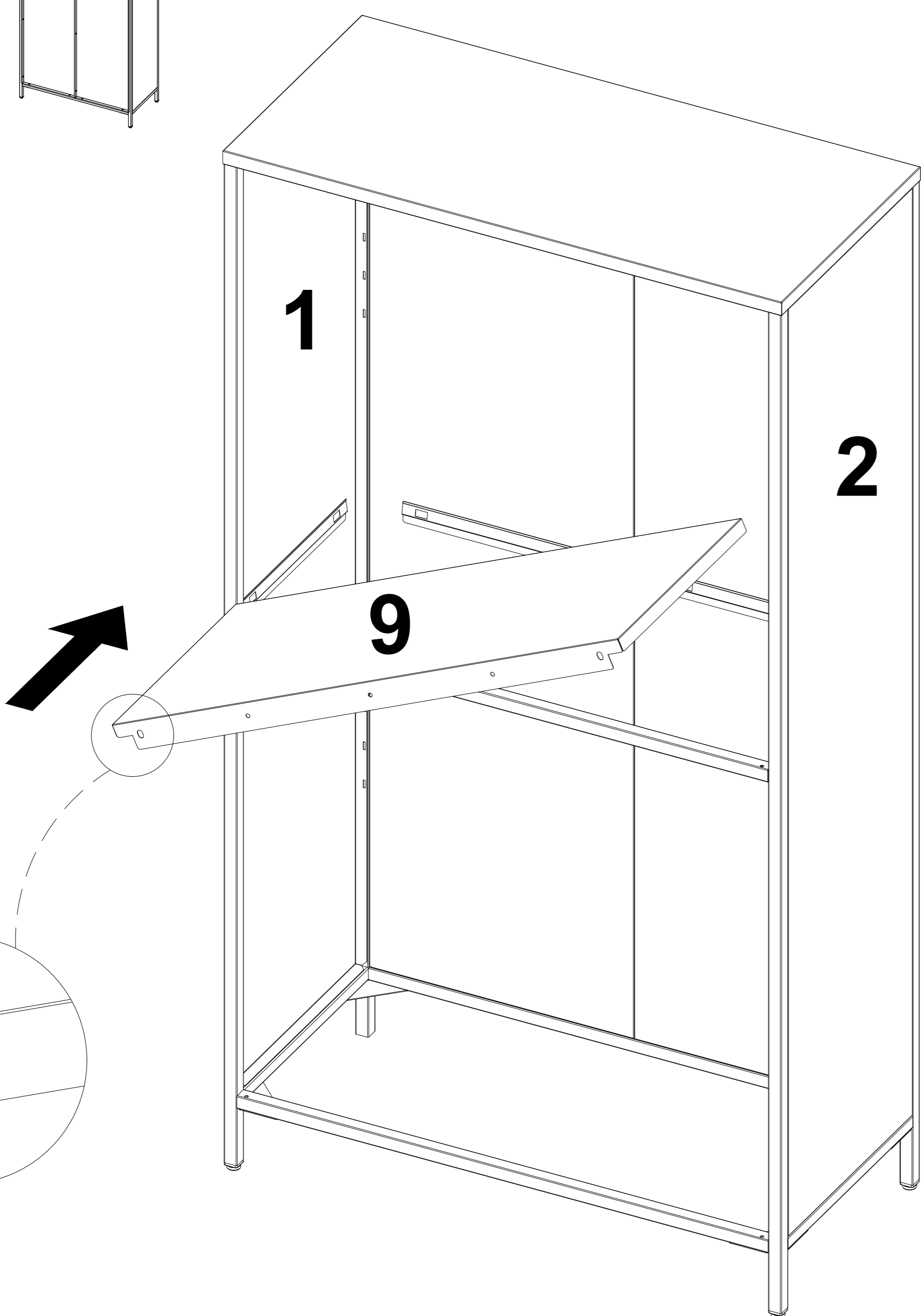
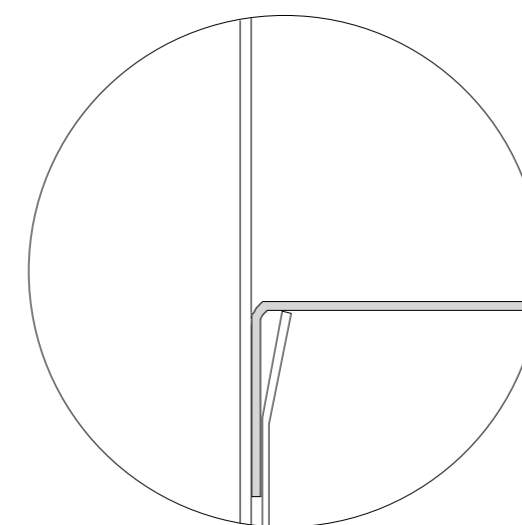
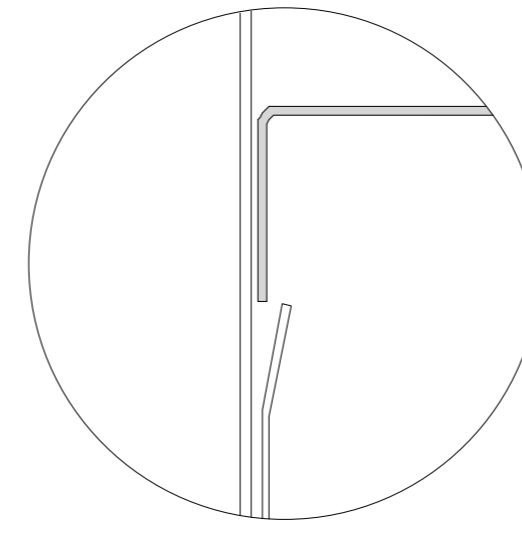
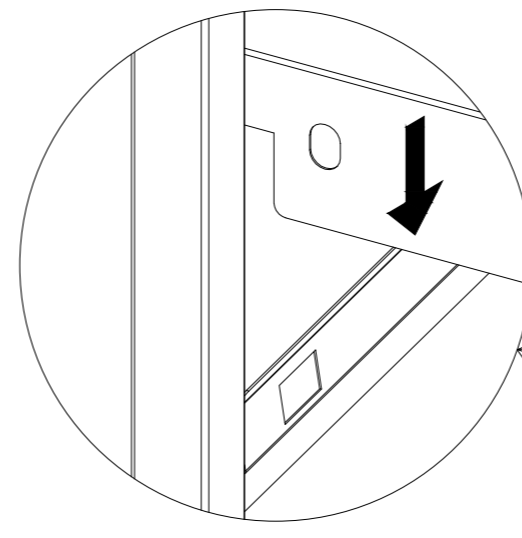
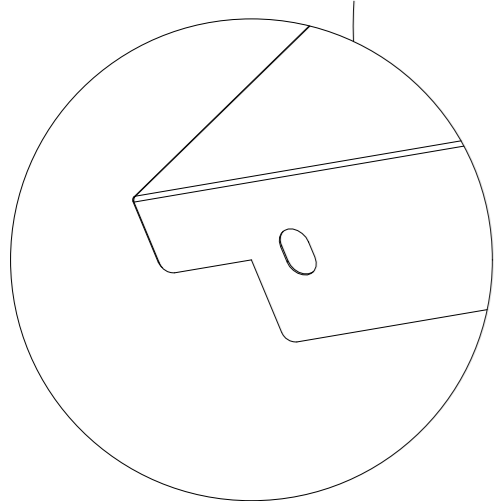


When installing component 9, pay attention to hooking it inside the bracket on both sides and at the back.

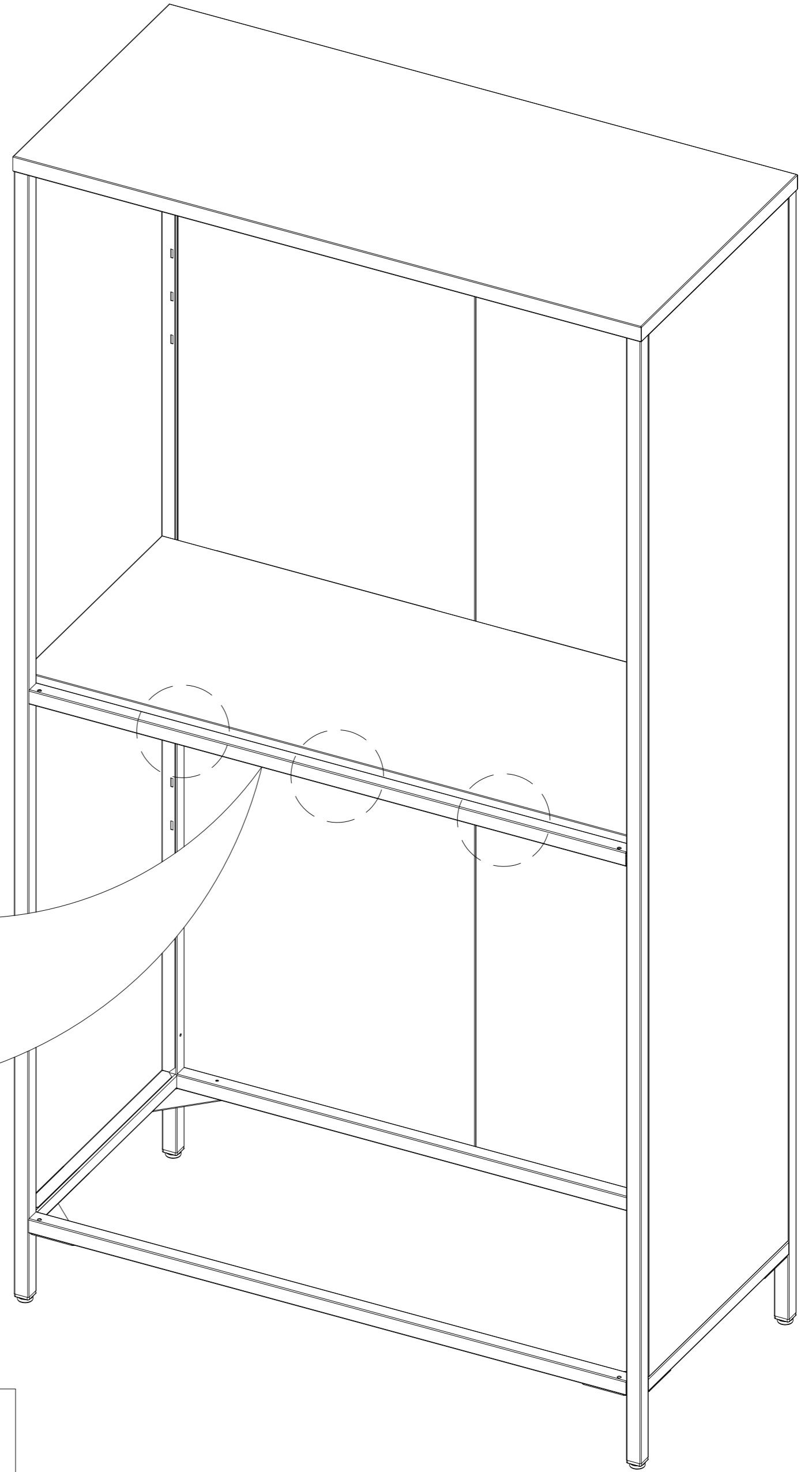
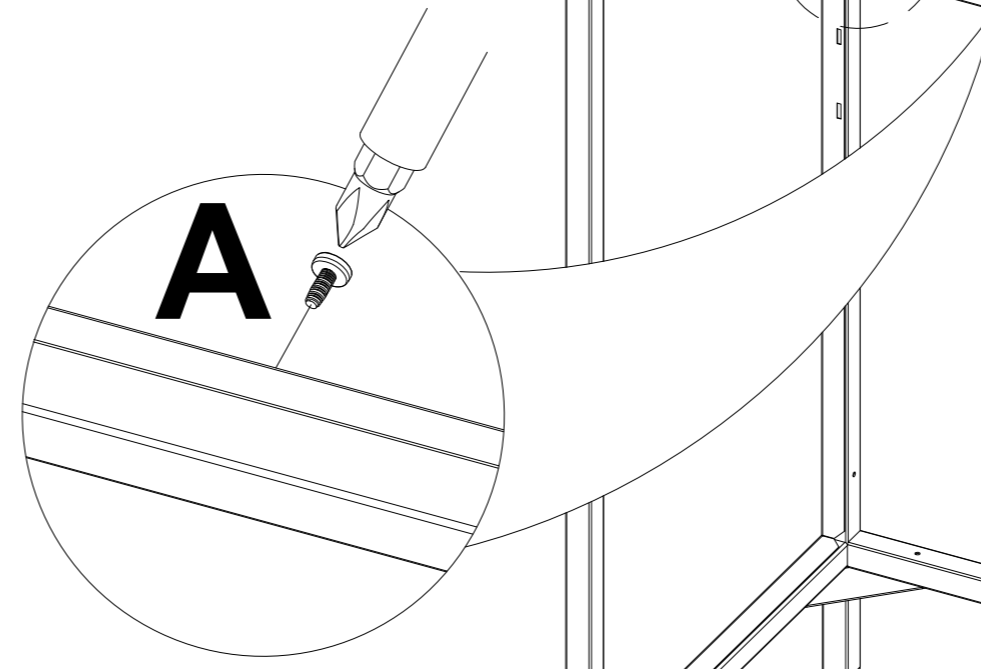
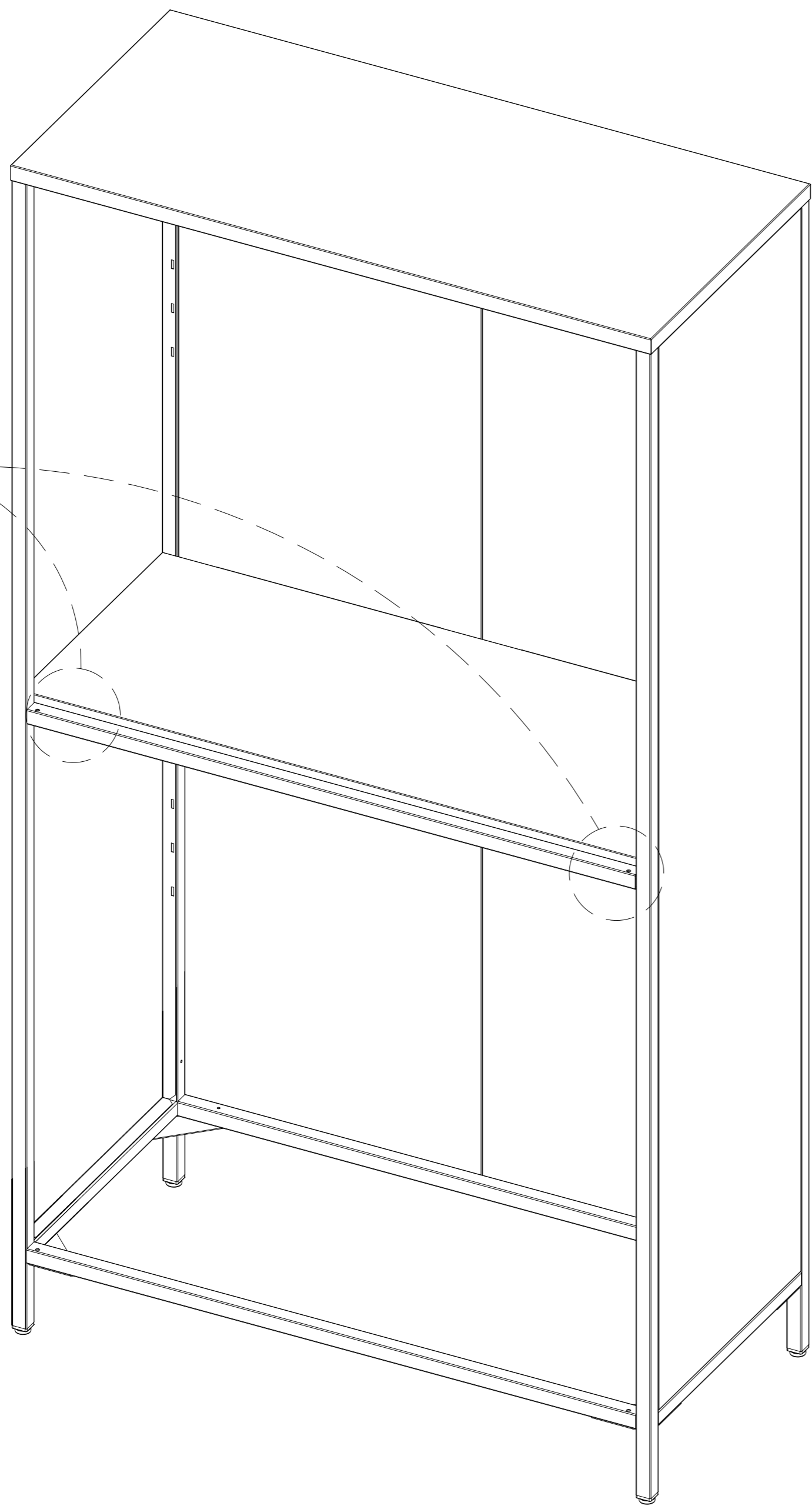
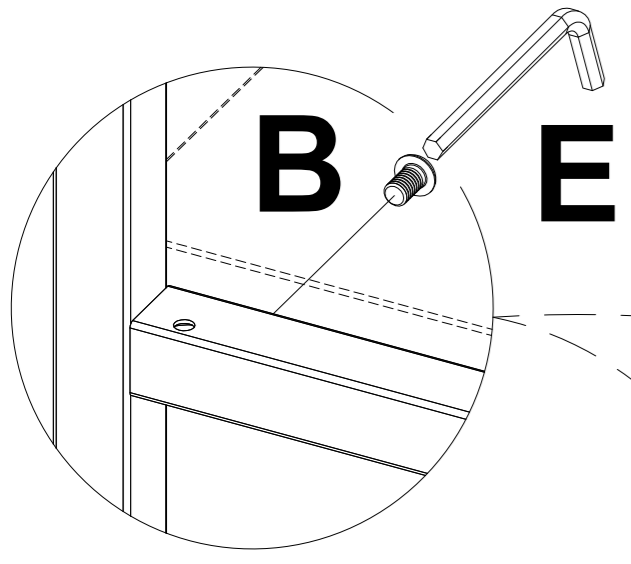
1

2

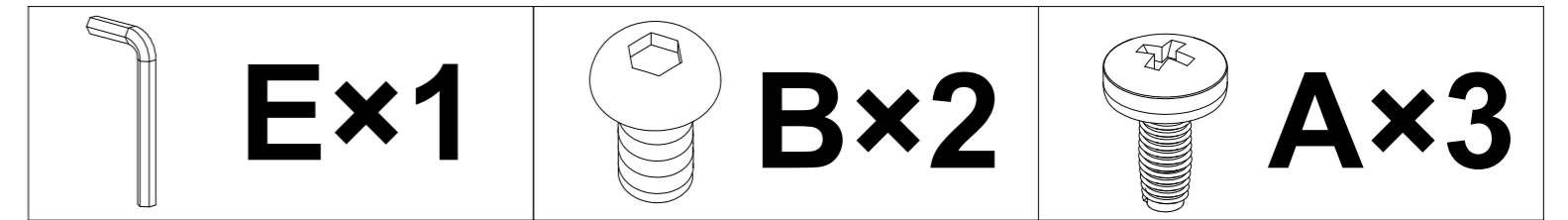
9



7

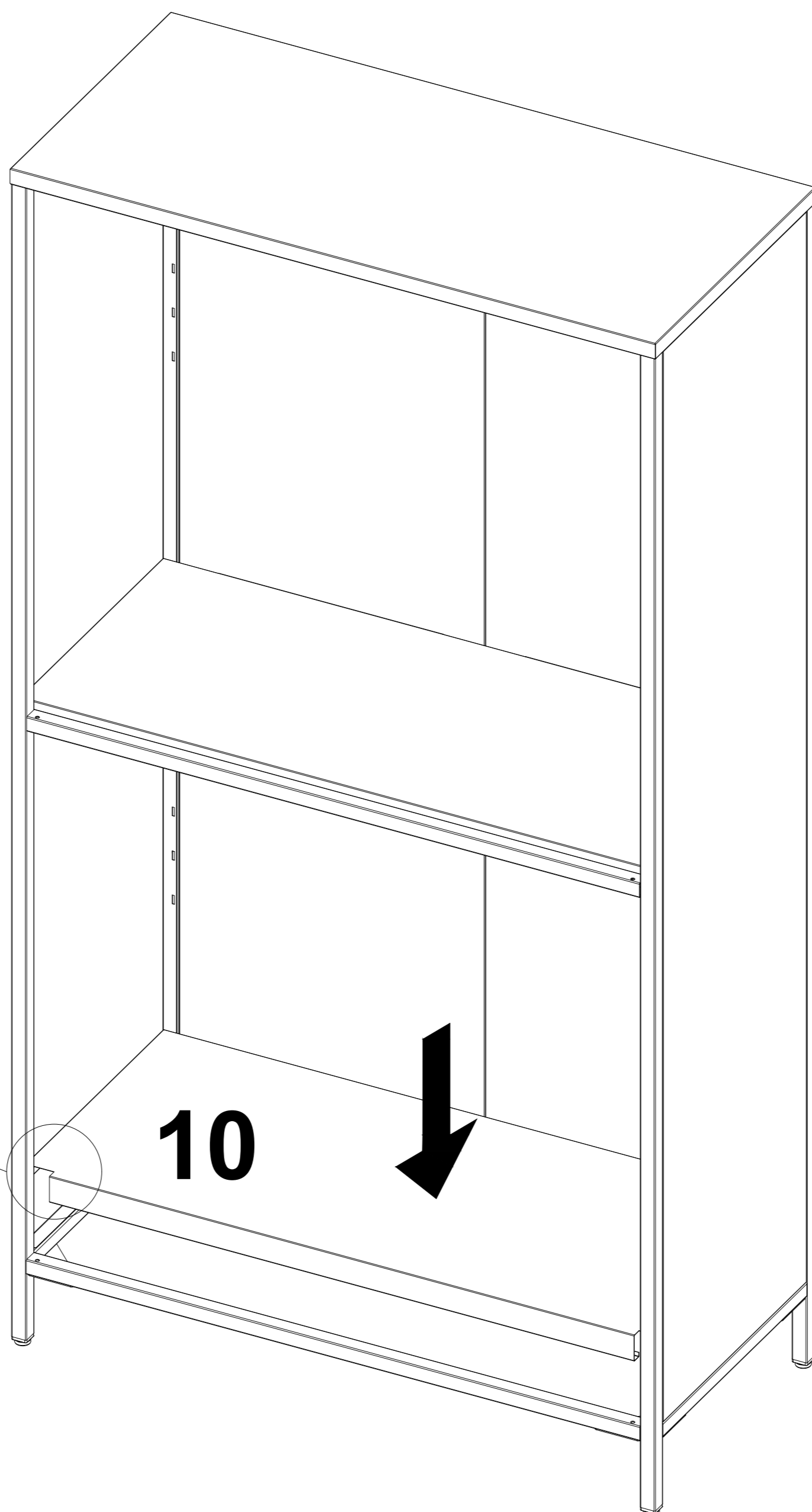
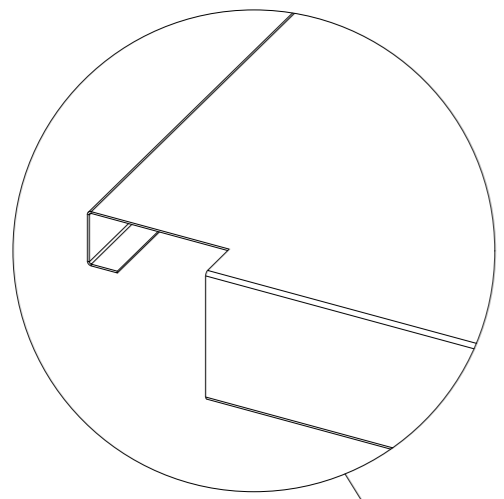


There are two different screws that need to be installed, each in their designated locations as shown in the diagram.



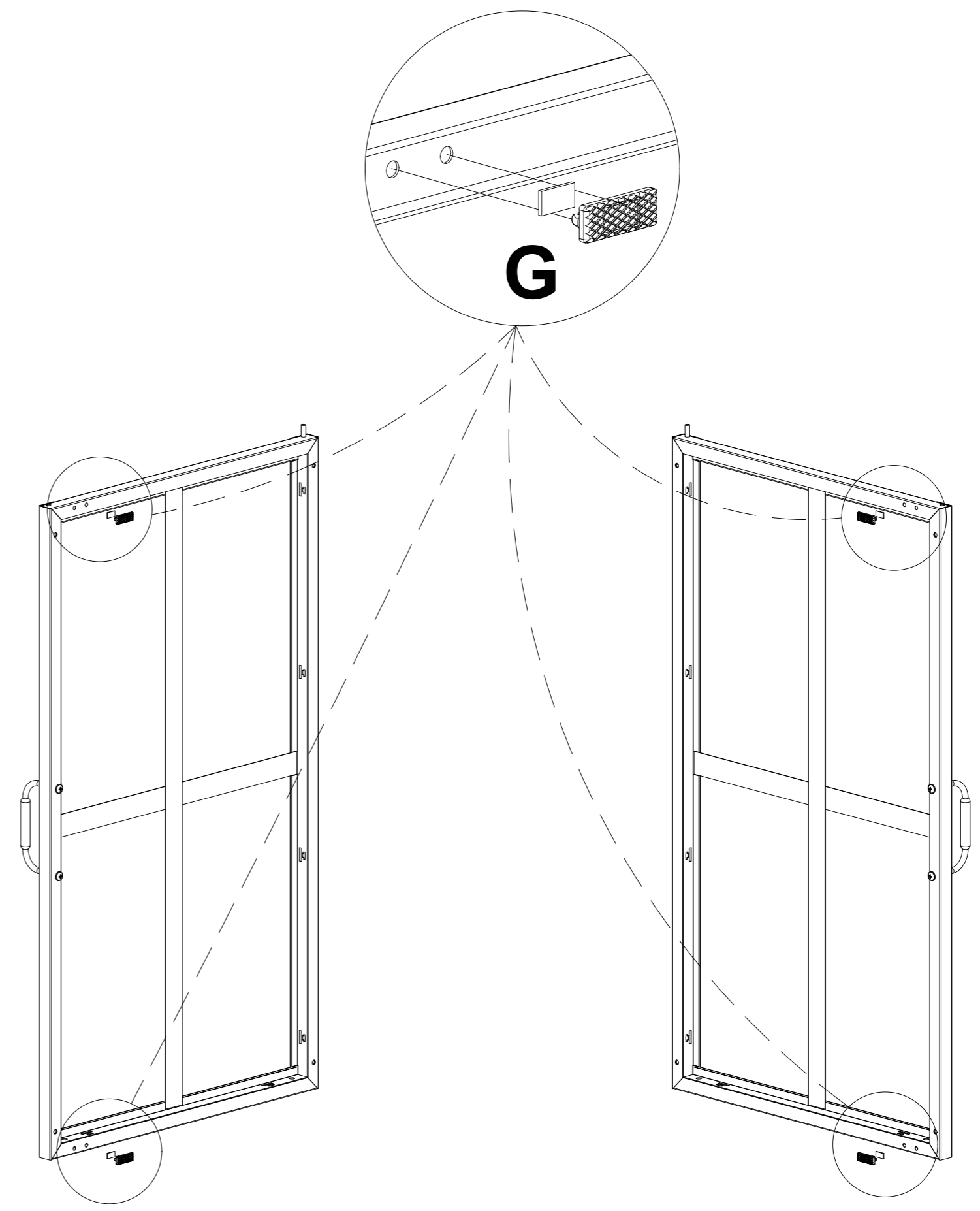
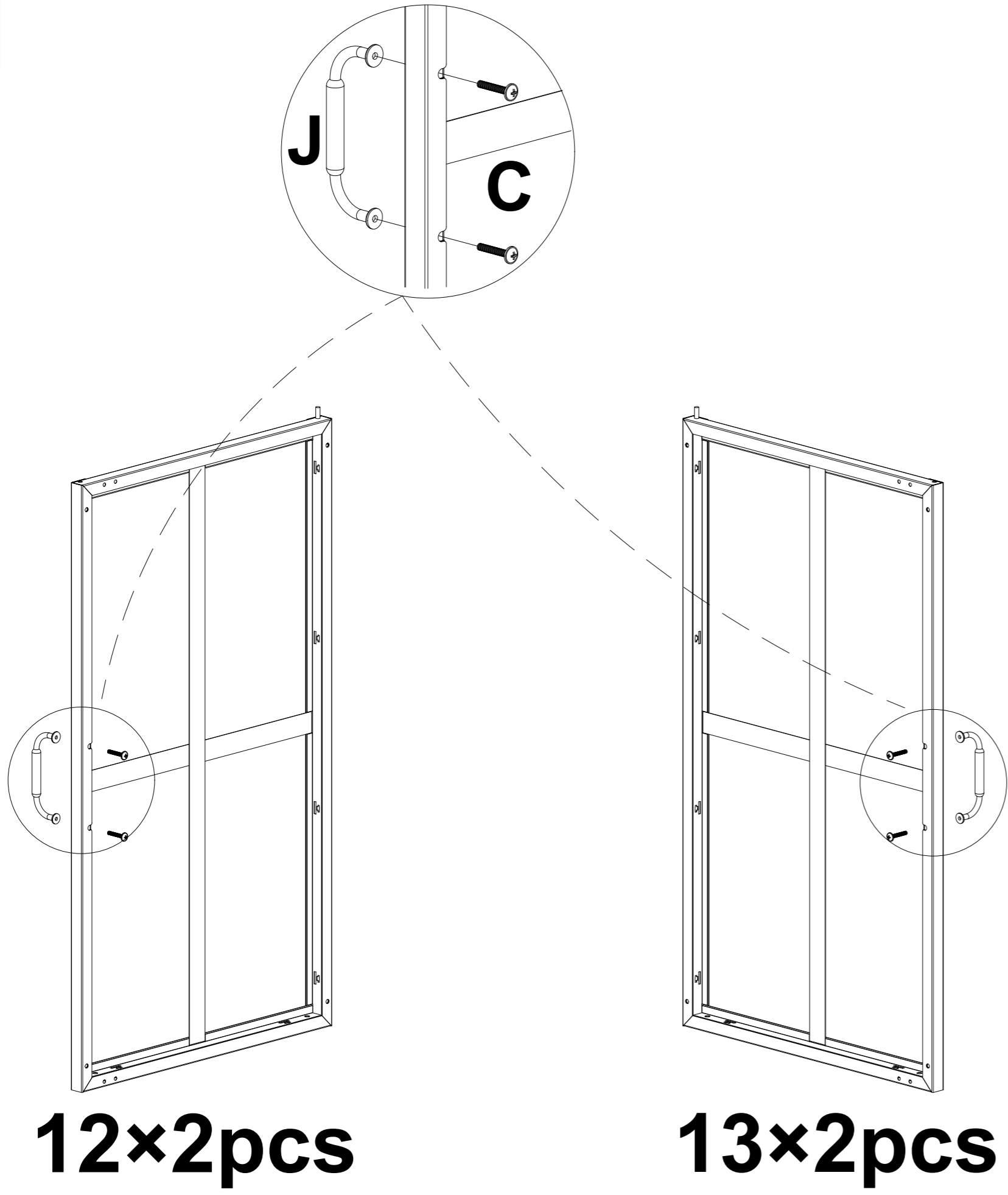
8

Pay attention to the installation direction of component 10.

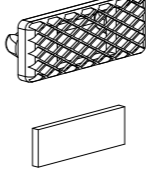
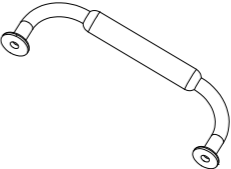
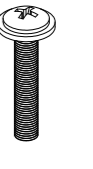


9

One G accessory consists of a magnet and a buckle.



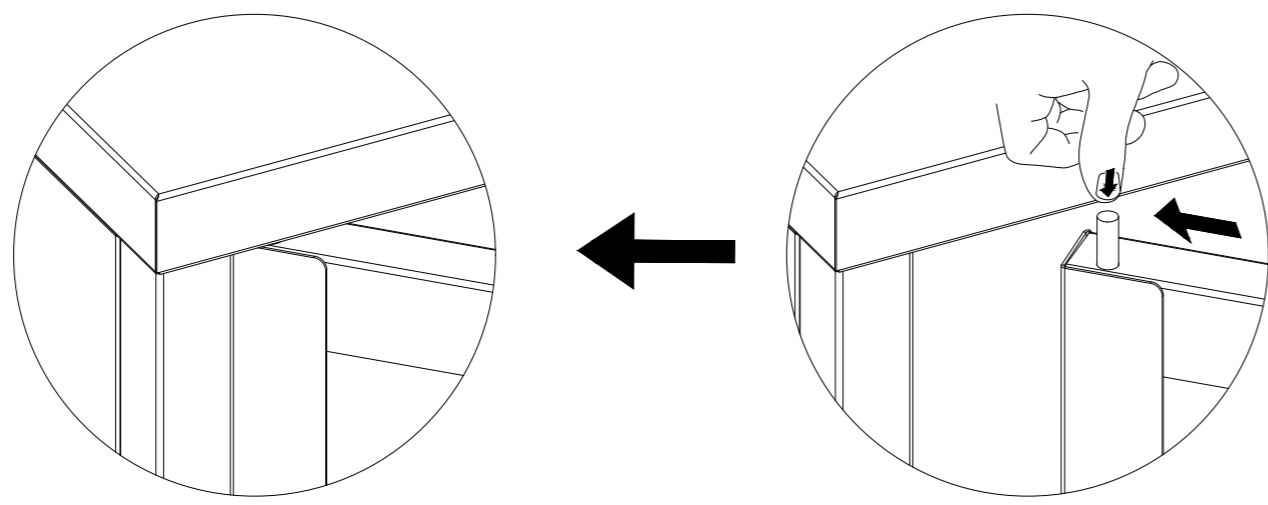
Install the handle in place according to the diagram.

- |   |            |   |            |   |            |
|---|------------|---|------------|---|------------|
|  | <b>G×8</b> |  | <b>J×4</b> |  | <b>C×8</b> |
|---|------------|---|------------|---|------------|

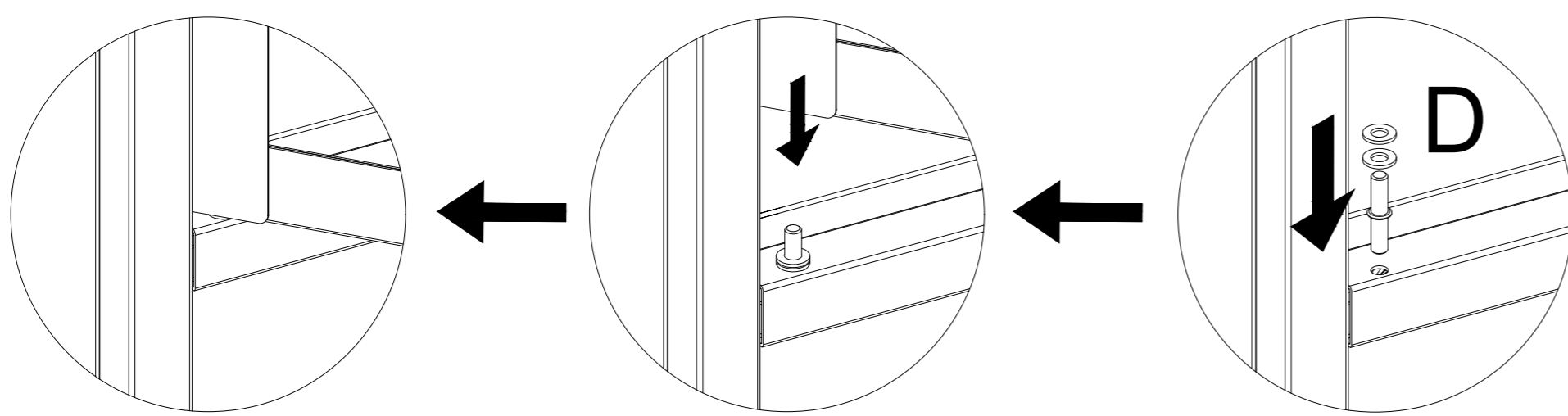
10

As shown in the diagram, install the two cabinet doors in the specified order.

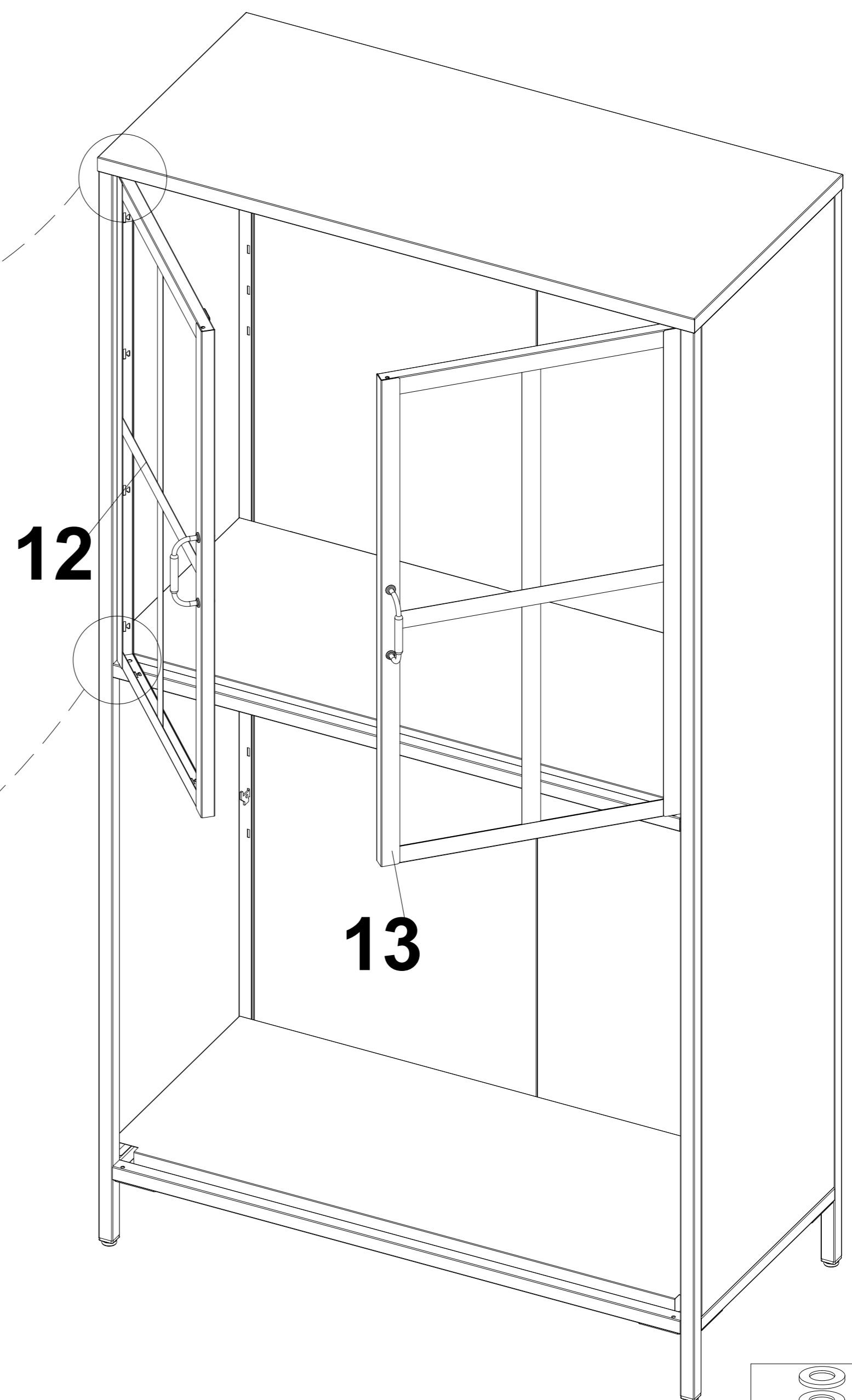
**STEP 2**

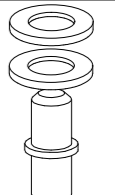


**STEP 1**



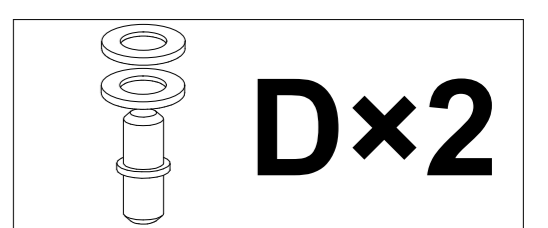
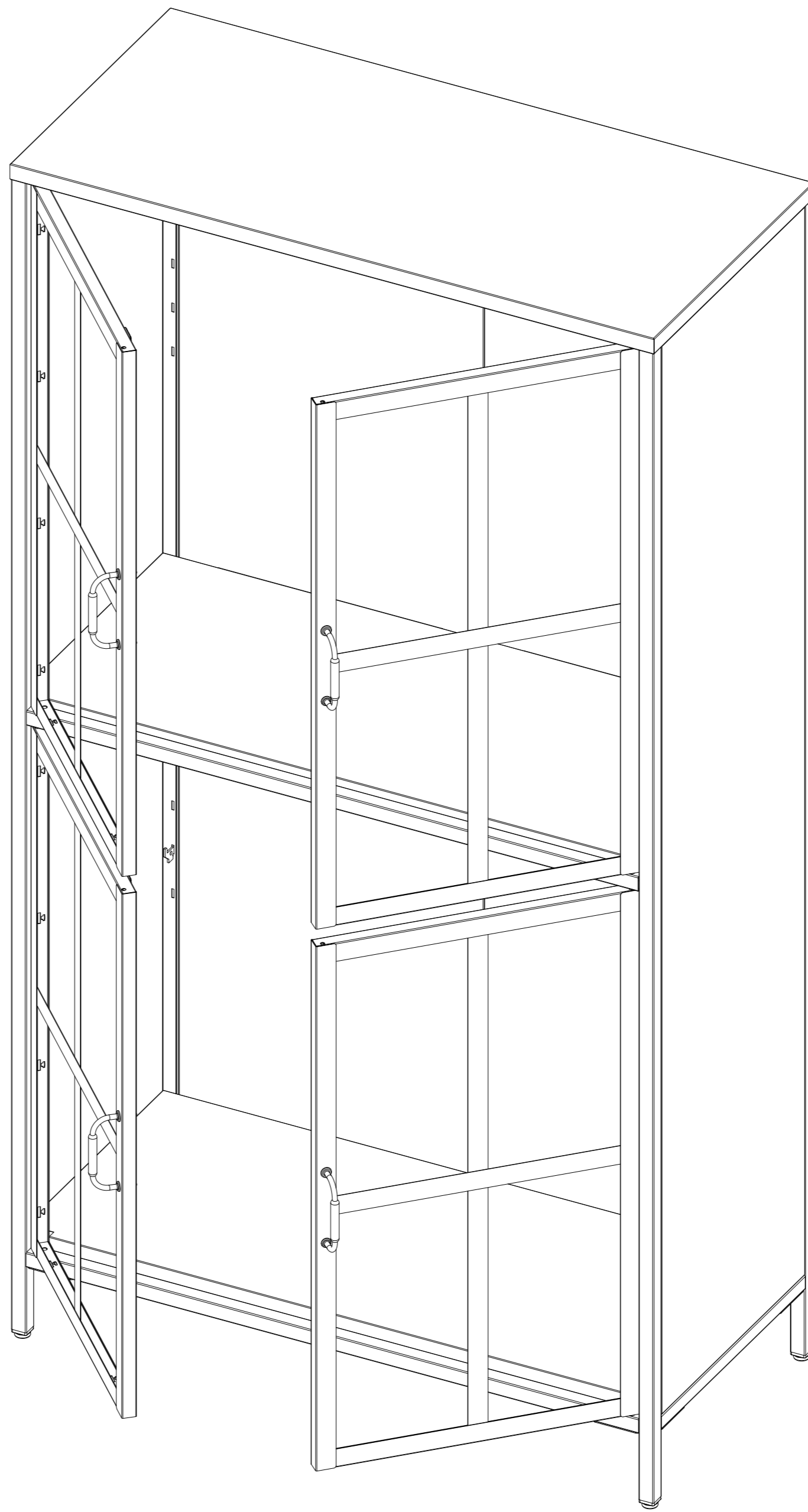
A part D consists of a cylinder and two circular gaskets.



- |   |            |
|---|------------|
|  | <b>D×2</b> |
|---|------------|

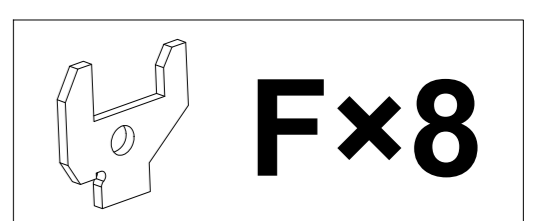
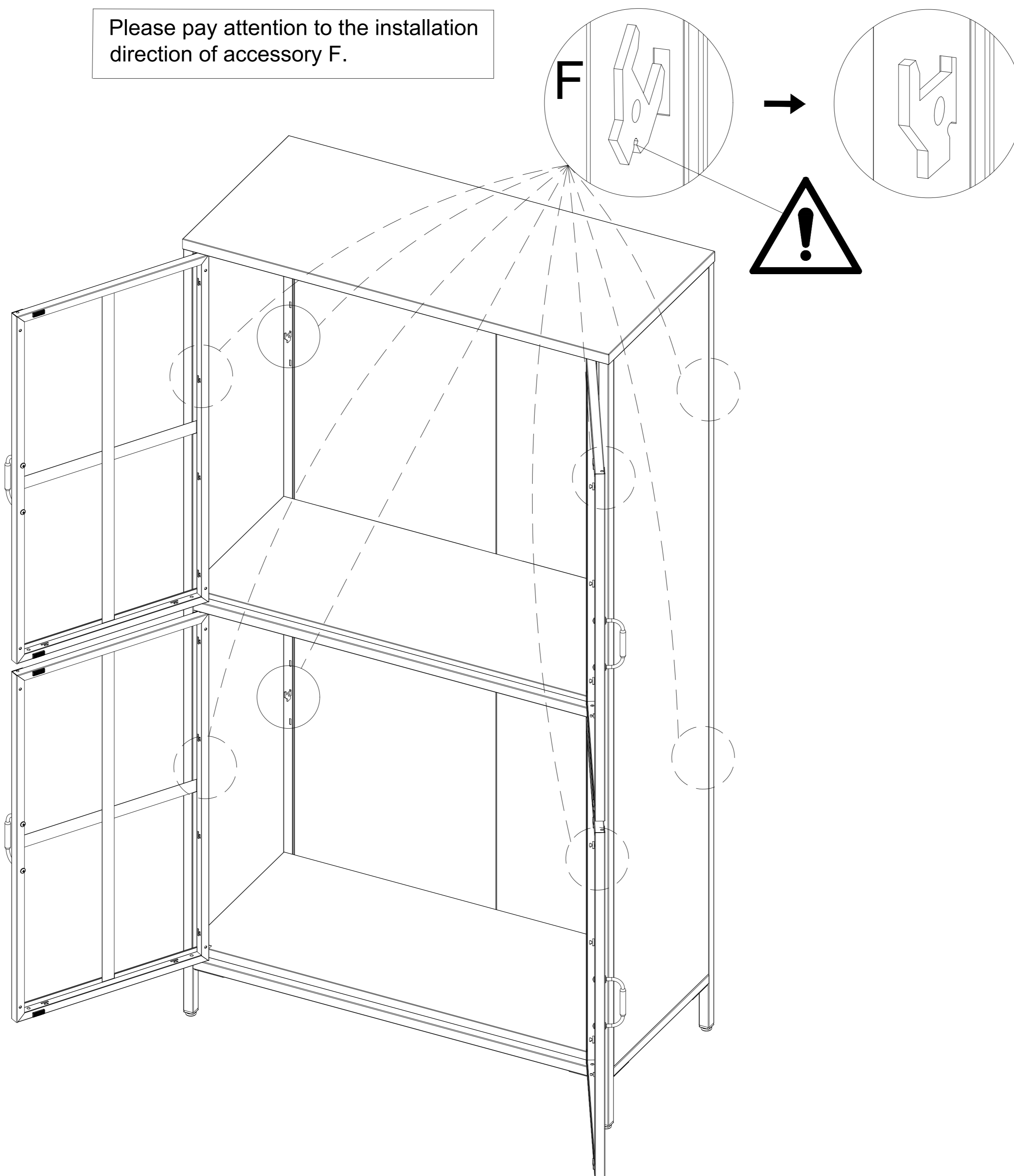
# 11

Follow step 10 to install the remaining doors onto the cabinet.



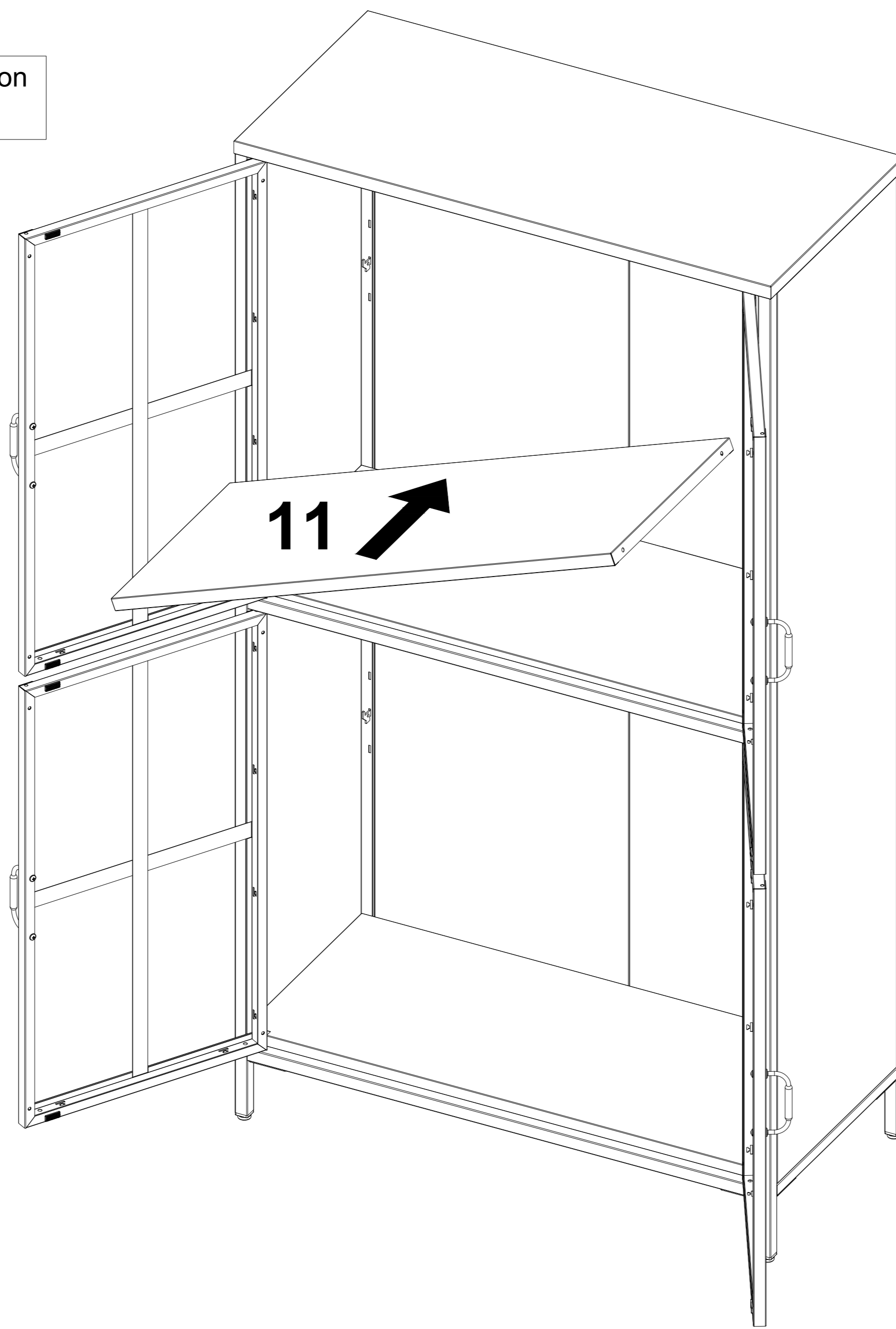
# 12

Please pay attention to the installation direction of accessory F.



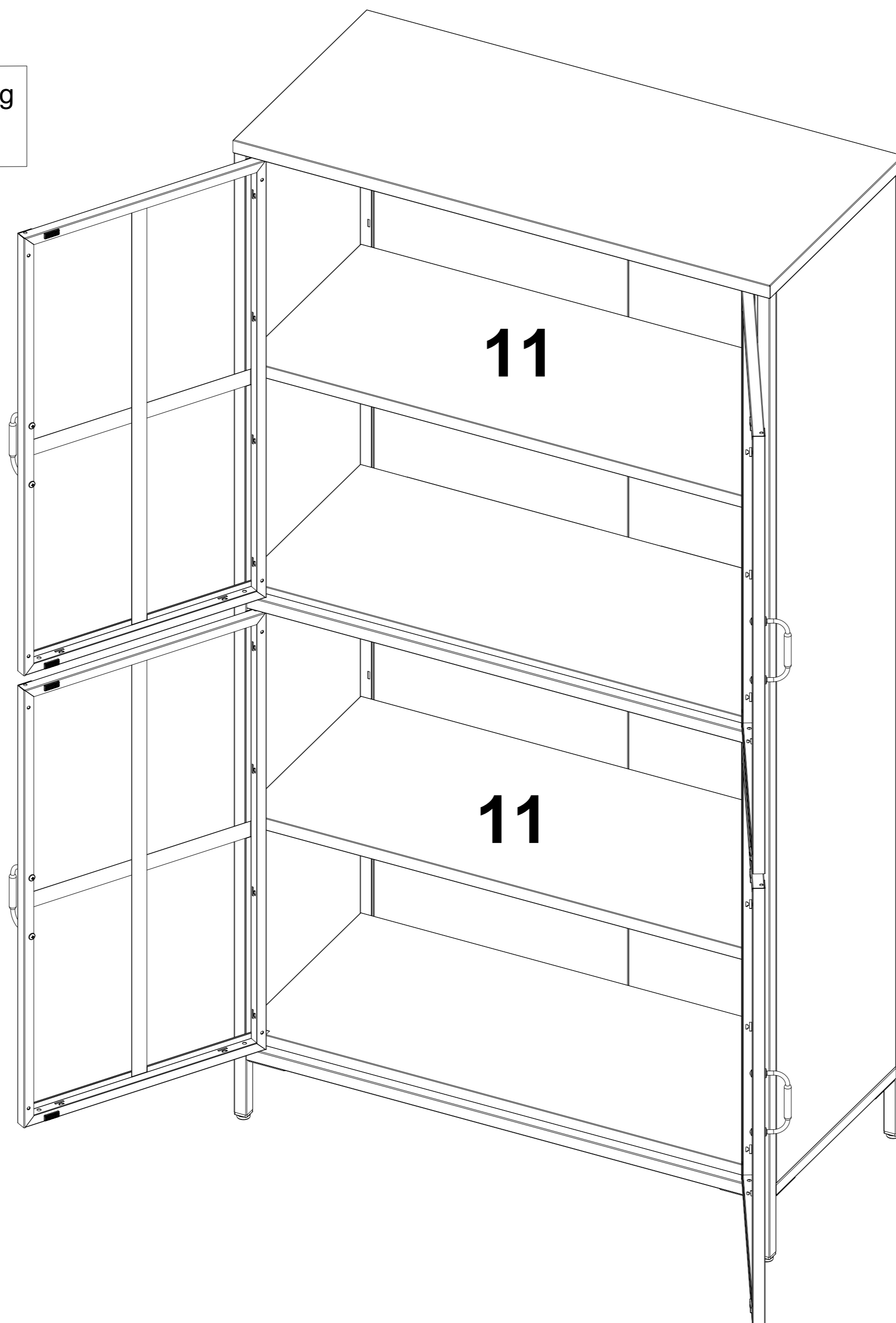
# 13

Install component 11 in the designated position according to the diagram.



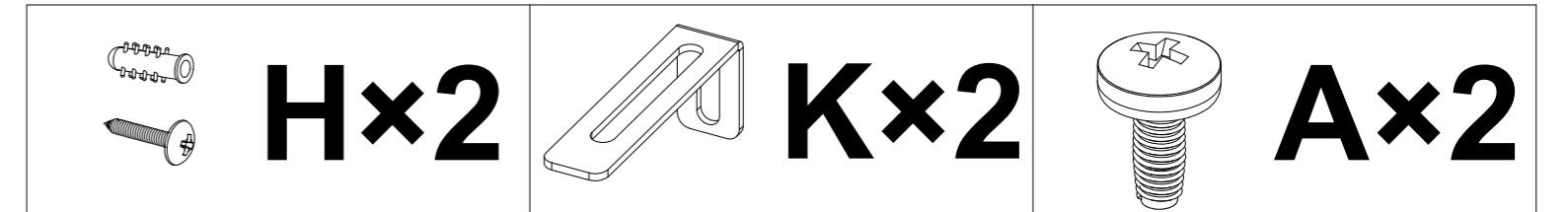
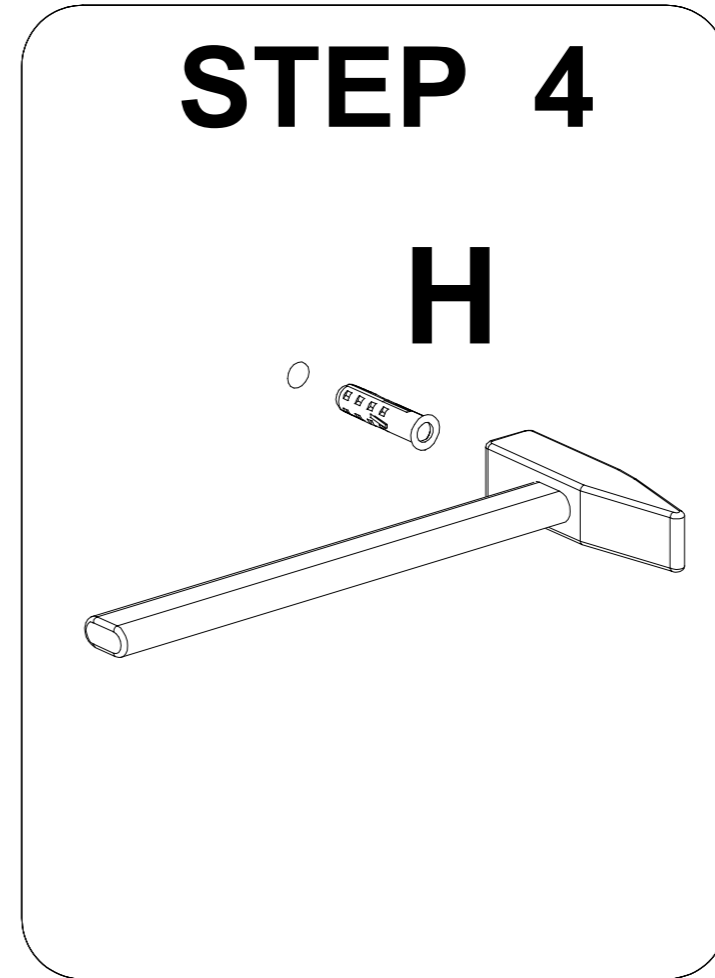
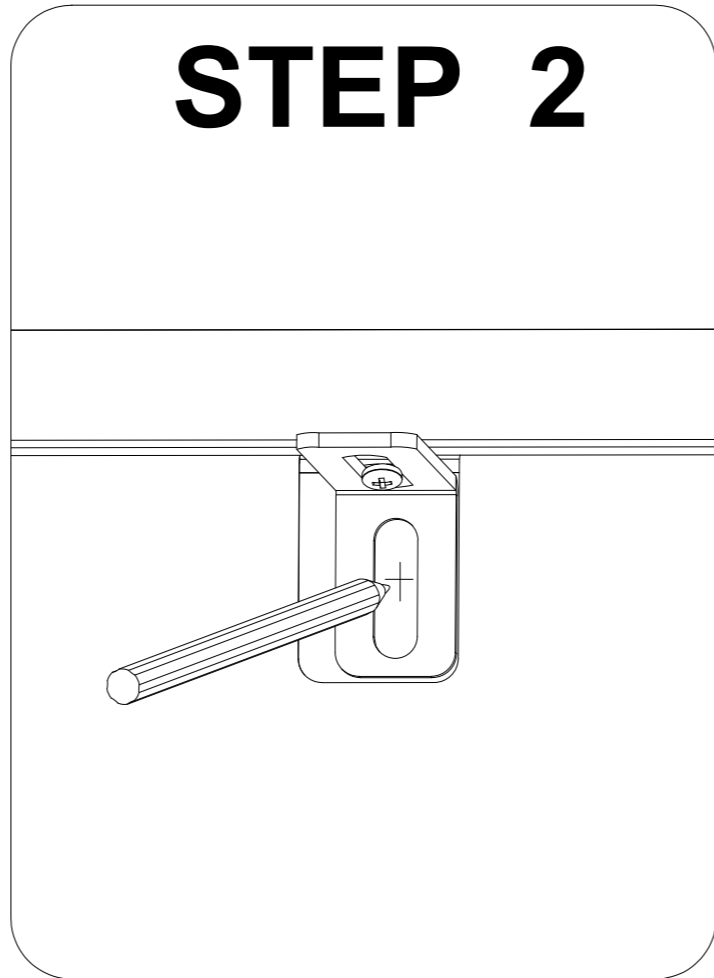
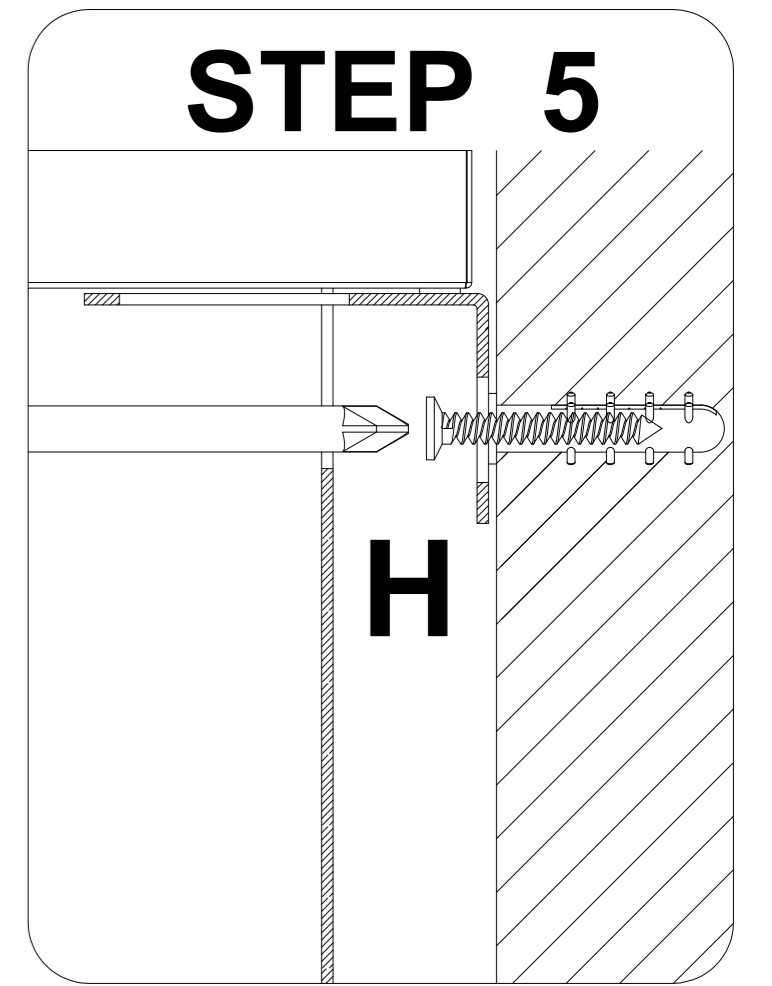
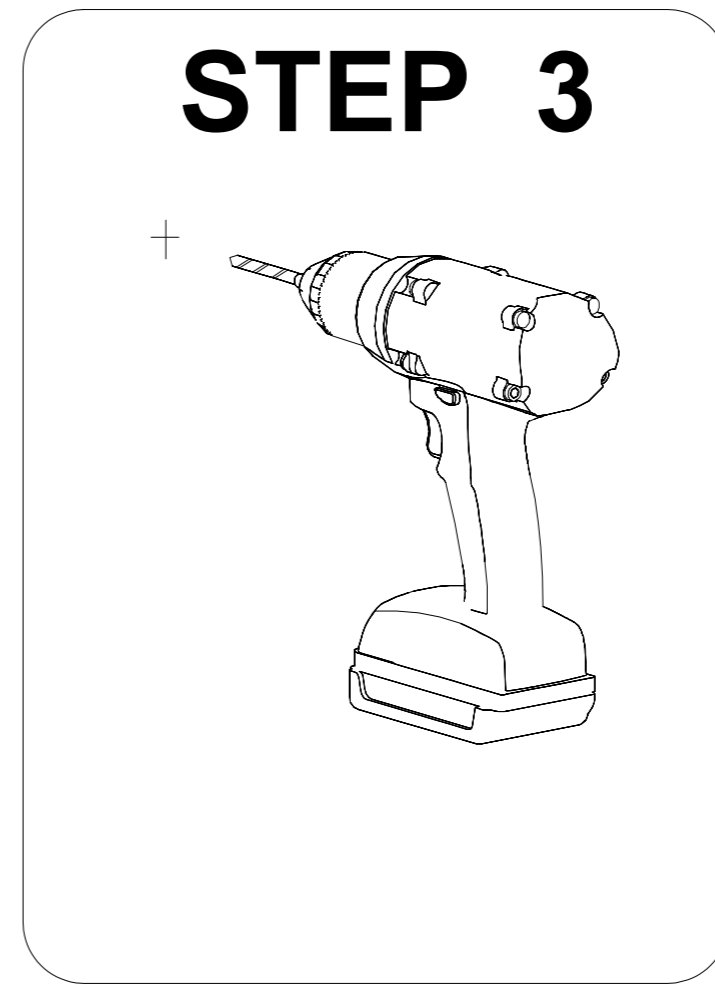
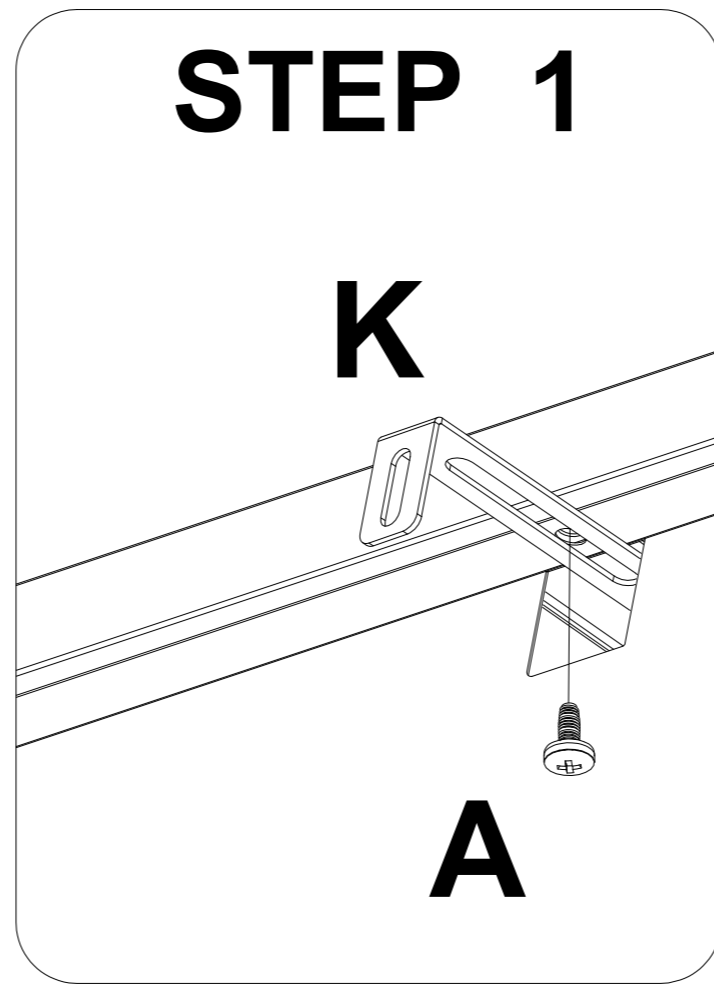
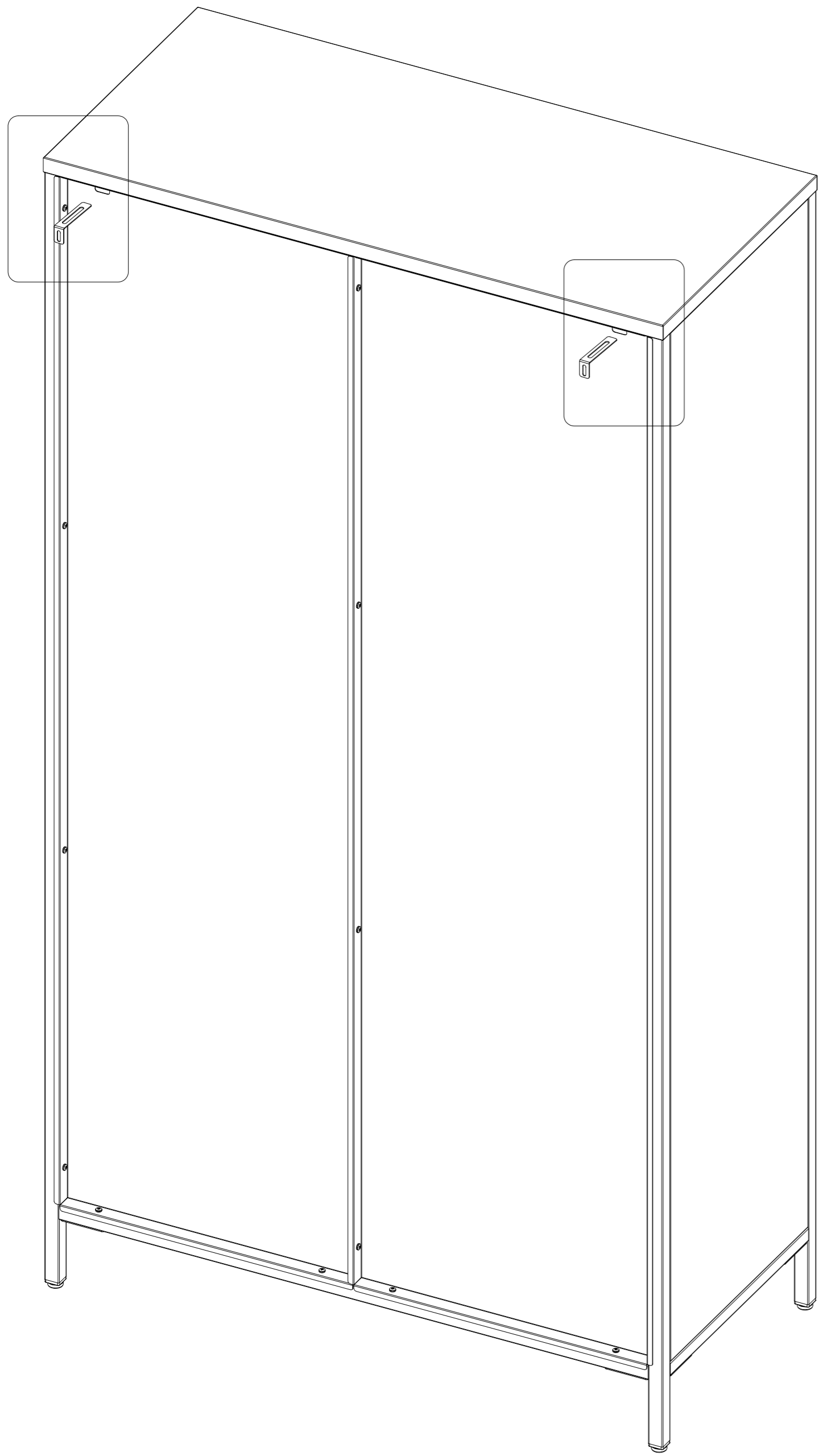
# 14

Install the remaining shelves in place following step 13.



# 15

If you need to fix the cabinet, please follow the installation steps. If not, please ignore it.



# 16

