

INSTRUCTION MANUAL

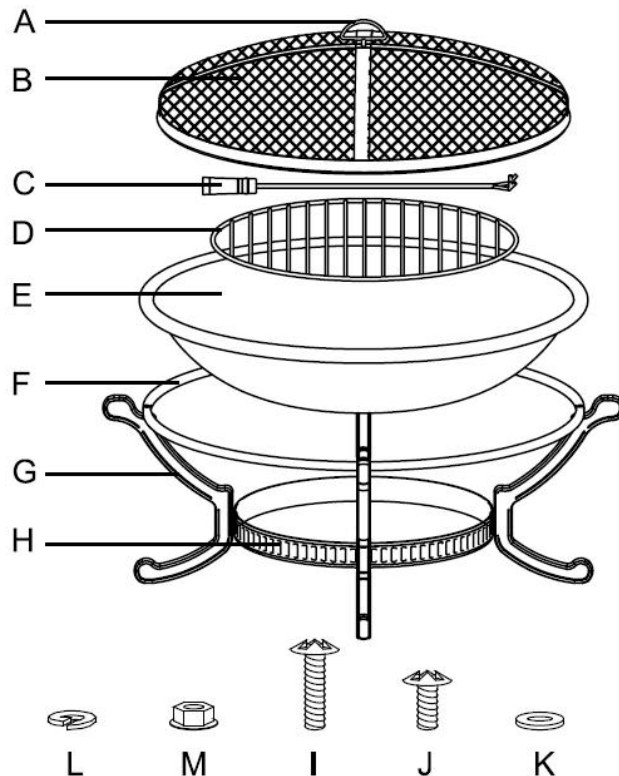
Assembly Instructions

WARNINGS:

- ☒ This fire bowl is intended for outdoor use only. Do not use on wooden decks.
- ☒ This fire bowl is intended to burn wood logs only. Do not burn coal, leaves, or other combustible materials in the fire bowl.
- ☒ Not for use by children. Keep children and pets away from the fire bowl.
- ☒ The fire bowl is hot. Use with caution. Do not touch the hot fire bowl with bare hands.
- ☒ Never leave the burning fire bowl unattended, and always extinguish the fire completely before leaving the fire bowl.
- ☒ Do not use near flammable or combustible objects or materials.
- ☒ When the fire bowl is in use, the handle on the mesh screen can reach extreme temperatures that can cause serious injury to an unprotected hand. Use a poker or an appropriate heat resistant glove or pad when handling.
- ☒ DO NOT use this fire bowl as a cooking appliance. This fire bowl is not designed for grilling food.
- ☒ Check local fire regulations and municipal by-laws for safe use.

PART LIST

NO.	DESCRIPTION	QTY.
A	Lift handle	1
B	Mesh screen	1
C	Poker	1
D	Log grate	1
E	Fire bowl	1
F	Top ring	1
G	Stand	4
H	Bottom ring	1



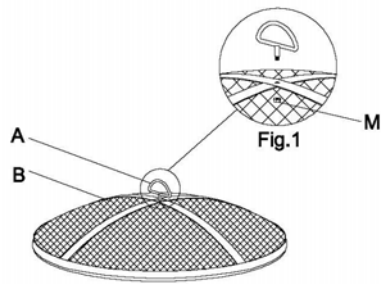
Hardware List

No.	Hardware	Qty
I	M6 X20 Bolt	4
J	M6 X12 Bolt	8
K	Flat washer M6	8
L	Spring washer M6	8
M	M6 Nut	1

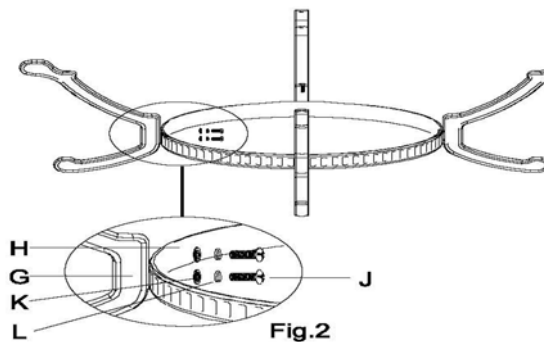
Note: You will need a screwdriver to help with the assembly.

Assembly step:

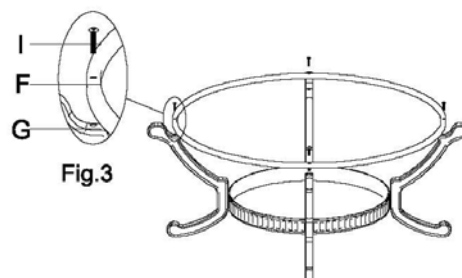
Step1 : Connect lift handle (A) to mesh screen (B), using the M6 nut (M).



Step2: Connect stand (G) with bottom ring (H) using flat washer (K) and spring washer (L) and M6X14bolt (J) to fix.



Step 3: Connect stand (G) with top ring (F), using the bolt (I)



Step 4: Place the fire bowl (E) , log grate (D) , mesh cover(B) on the assembled base.

