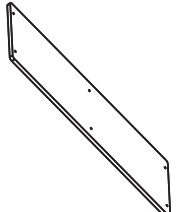
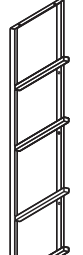
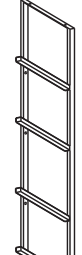
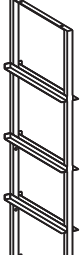

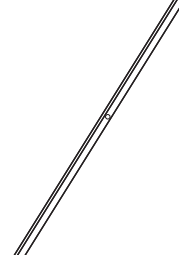
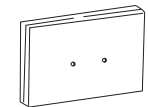


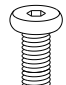
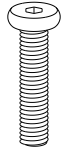
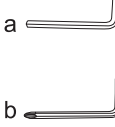


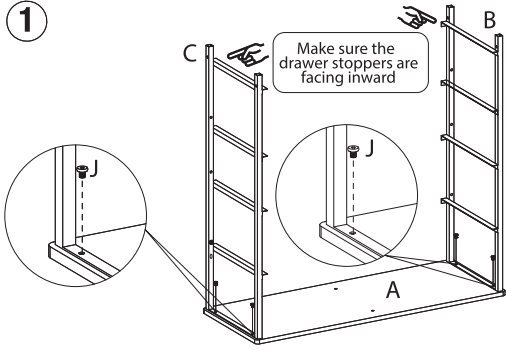


FOR EACH STEP MAKE SURE: the frames are facing the correct direction you are using the correct screws for each step! The wrong screw will break through the top of the wood top or not secure the piece properly.

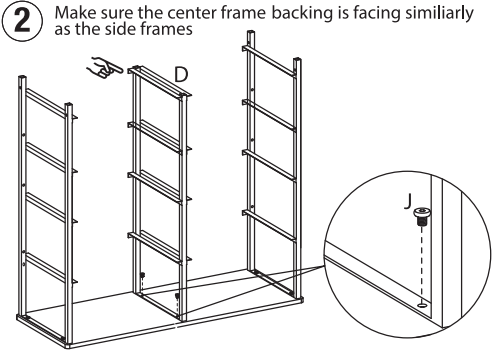
A Wood Top  x1	B Side Frame  x1	C Side Frame  x1	D Center Frame  x1	E Rear Bars  x1	F Frame Poles  x2	G Drawer  x8
I Frame Screw  x4	J Wood Top Screw  (6x10mm) x6	K Rear Screw  (5x10mm) x4	L Long Screw  x6	M Hex Key  a b x1	N Handle Screw  x16	O Handle  x8

1



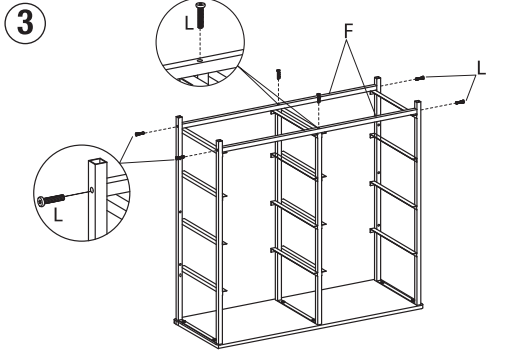
Step 1: Combine the pieces shown above with wood top screws (J) then secure with hex key (Ma).

2 Make sure the center frame backing is facing similarly as the side frames



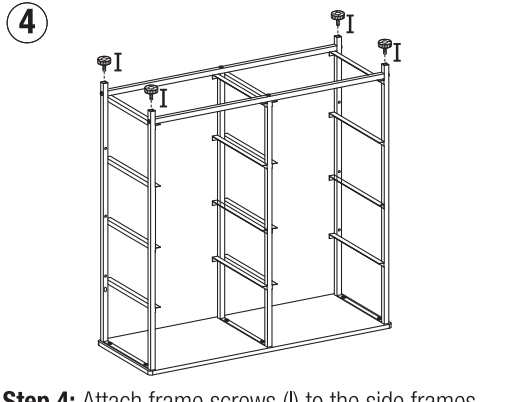
Step 2: Place center frame (D) accordingly and secure with wood top screws (J) and hex key (Ma).

3



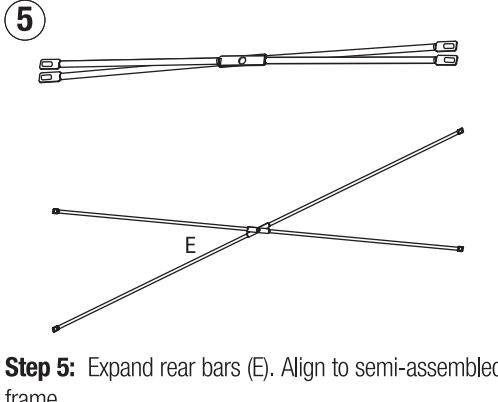
Step 3: Attach the frame poles (F) by using long screws (L) and hex key (Ma).

4



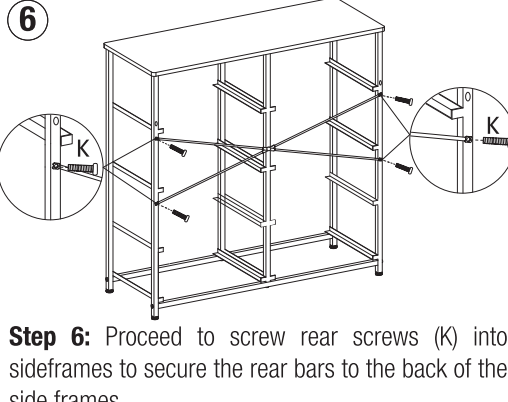
Step 4: Attach frame screws (I) to the side frames.

5



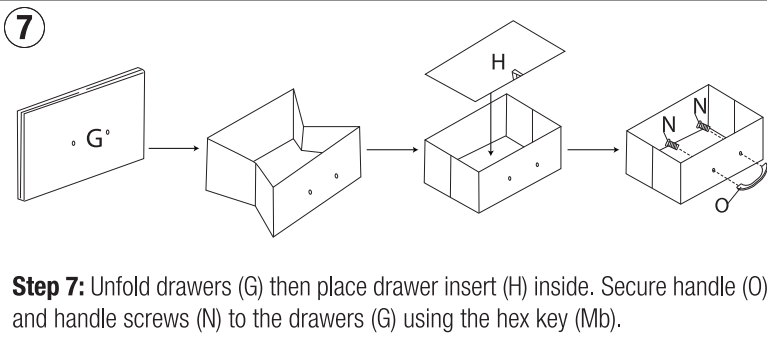
Step 5: Expand rear bars (E). Align to semi-assembled frame.

6




Step 6: Proceed to screw rear screws (K) into sideframes to secure the rear bars to the back of the side frames.

7



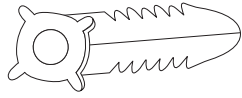
Step 7: Unfold drawers (G) then place drawer insert (H) inside. Secure handle (O) and handle screws (N) to the drawers (G) using the hex key (Mb).

8



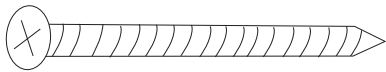
Step 8: Insert drawers within assembled storage dresser, then make sure everything is secure before use. Enjoy!

A Wall Anchor



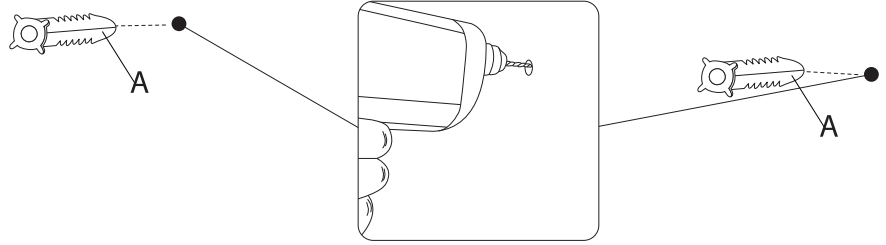
2PCS

B Wall Mount Screw



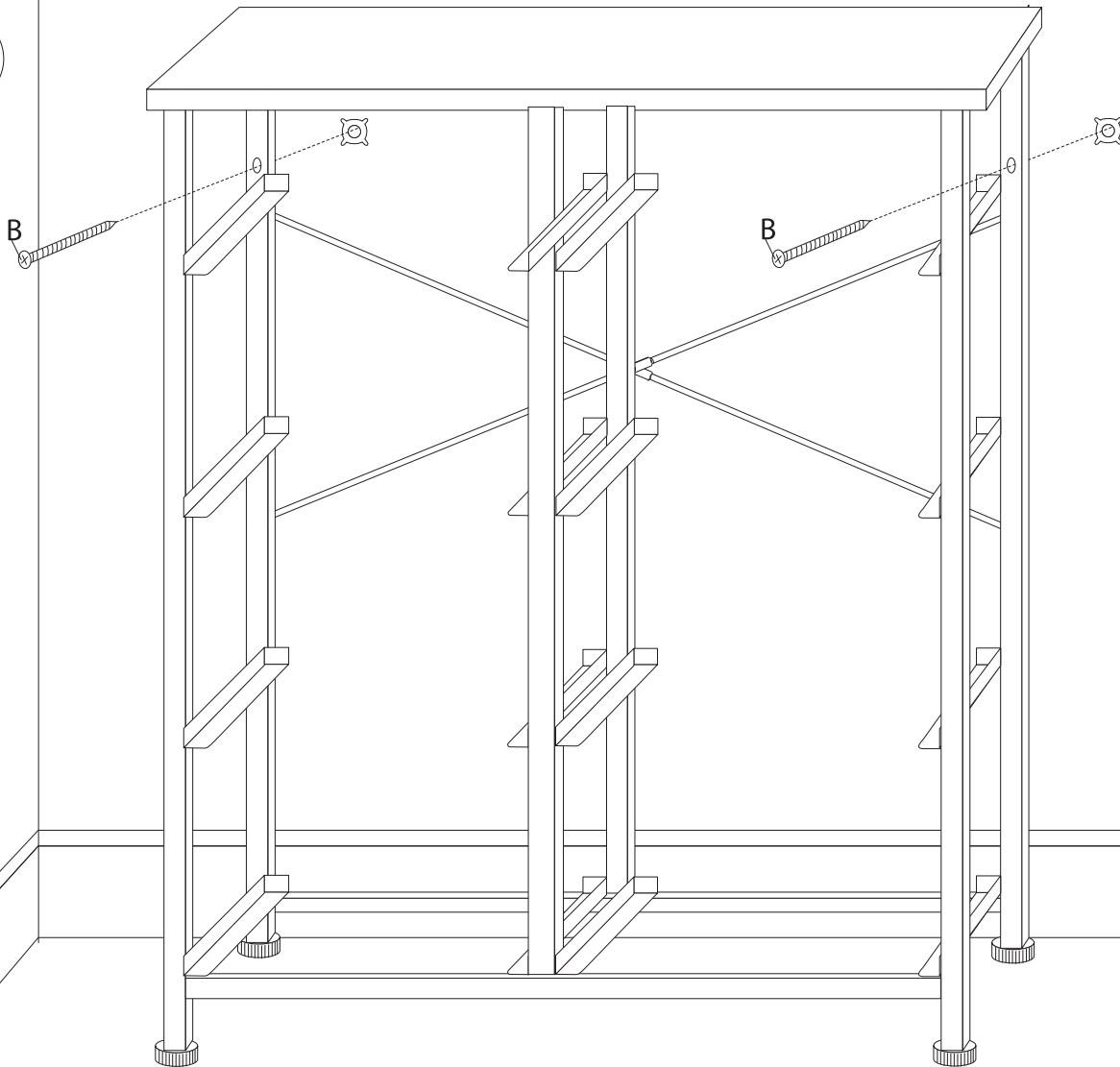
2PCS

1



Step 1: Drill a hole into the wall using a 6mm bit and gently insert the wall anchor (A) with the help of a hammer.

2



Step 2: Place the shelf against the wall, and insert the wall mount screws (B). After making sure everything is secure, feel free to use. Enjoy!