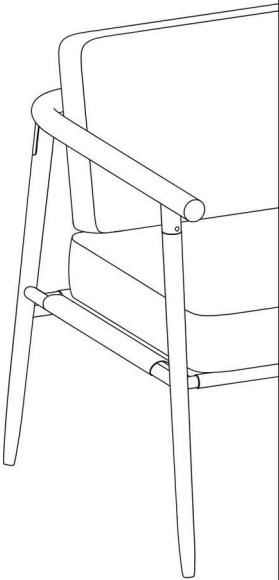


Owner Manual



WARRANTY

We strive to offer high quality product and we also try our best to satisfy each customer that order from us, no matter on products or services as needed. Each customer receives a record of their order, such as the order number or item receipt. For any items that are out of warranty period, you may still be able to purchase the replacement parts from our company if they are available.



MAINTENANCE AND WARNING

Please read the manual thoroughly
before you start installing.

Please keep the product away from
sharp object.

Packaging and small parts may have
chocking hazard, please keep them away
from children and pets.

Please clean the product according to each
clean code, check the product description
for more information.

Please keep the product away from
fire.

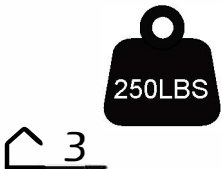
If you have any other questions, please
contact us, we will be glad to help you out.

If the product is placed under direct
sunlight, the pattern or color might fade
away overtime.

Check the product periodically to make
sure everything is secured and tightened.

Always use proper tools for installation.

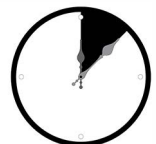
Do not jump on the product.



Two people



0-3



Around 45 min

PRODUCT DESCRIPTION

Foam filled cushions offer a plush yet supportive experience, making it perfect for relaxation and long hours of use.

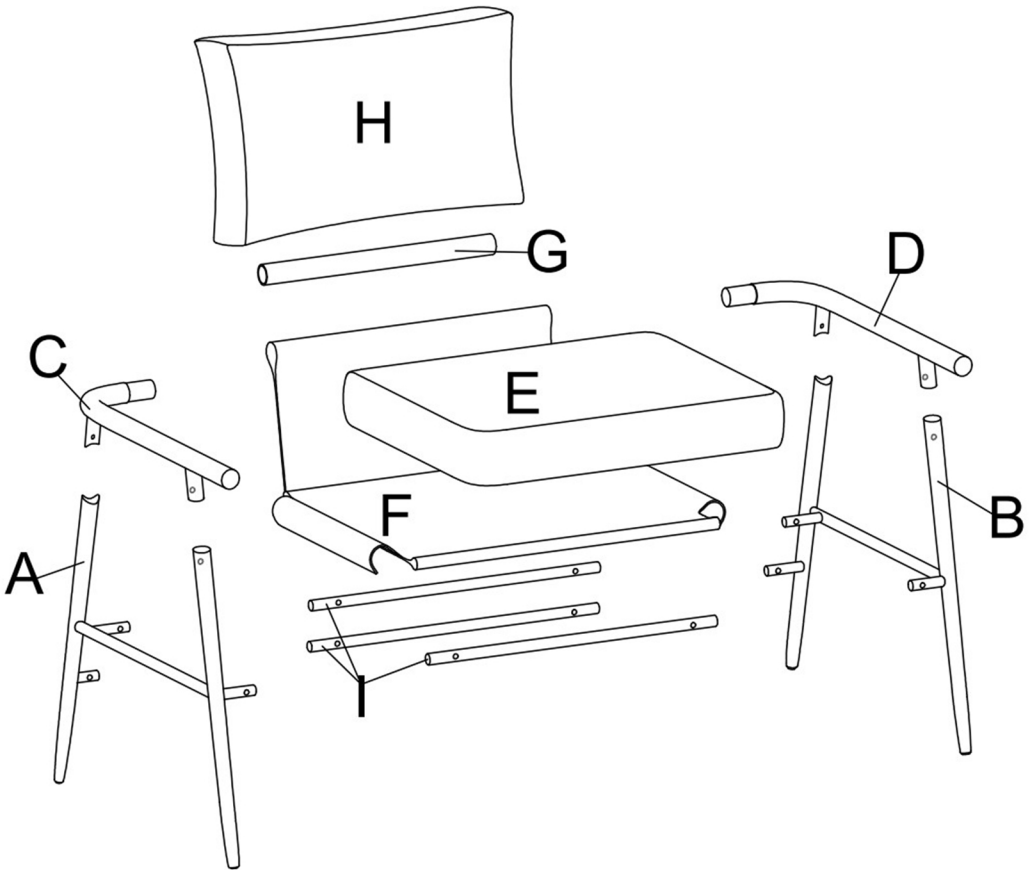
Adjustable foot pads ensure the chair remains stable, even on uneven or hard surfaces, for safe and secure seating.

Leather offers a sleek, easy to clean surface, while cotton provides a softer, more breathable option for ultimate comfort.

Built with a durable metal frame, the chair delivers long lasting support and stability, with weight capacity of 250 lbs.

With its minimalist style and variety of colors, this chair blends seamlessly with different decor styles and is easy to assemble.

EXPLODED VIEW



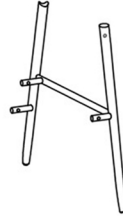
PARTS

A*1



Right leg

B*1



Left leg

C*1



Right arm

D*1



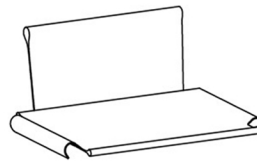
Left arm

E*1



Seat cushion

F*1



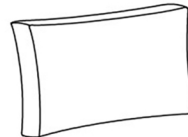
Cloth cover

G*1



Cross rail

H*1



Back cushion

I*3



Fine rail

HARDWARE

TOOL LIST

NOTE: Designated with (★) We provide additional spare parts in the hardware package

①*12



M6*15

★ Bolt

②*12



★ Flat washer

③*1

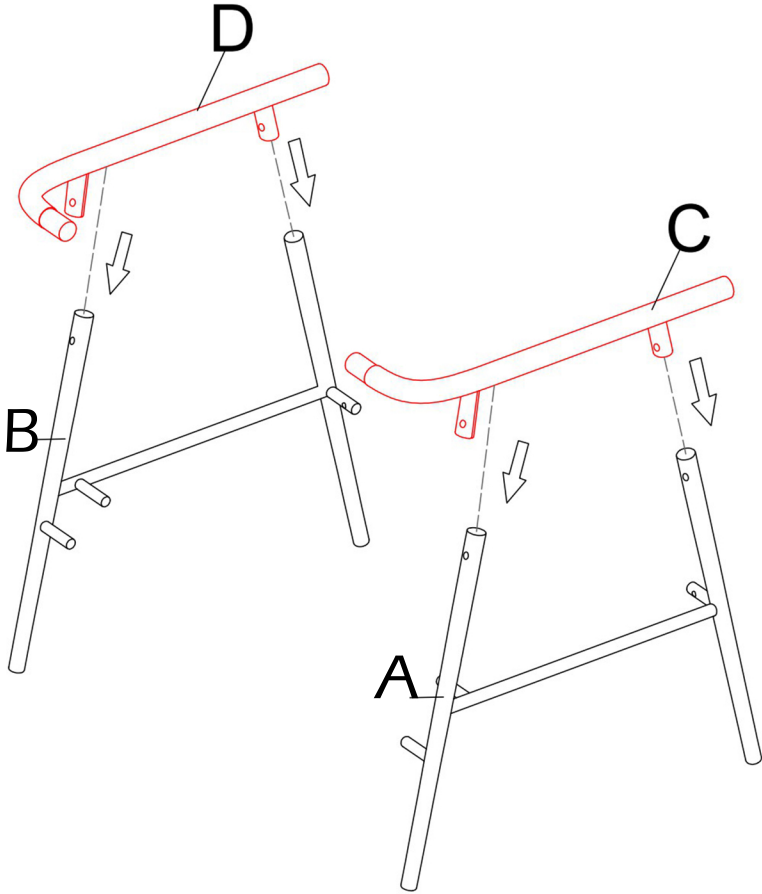


Allen key

Please make sure all hardware & packing material fitting the list. Especially some small accessories may be missing during transportation. Please contact us if you have any question.

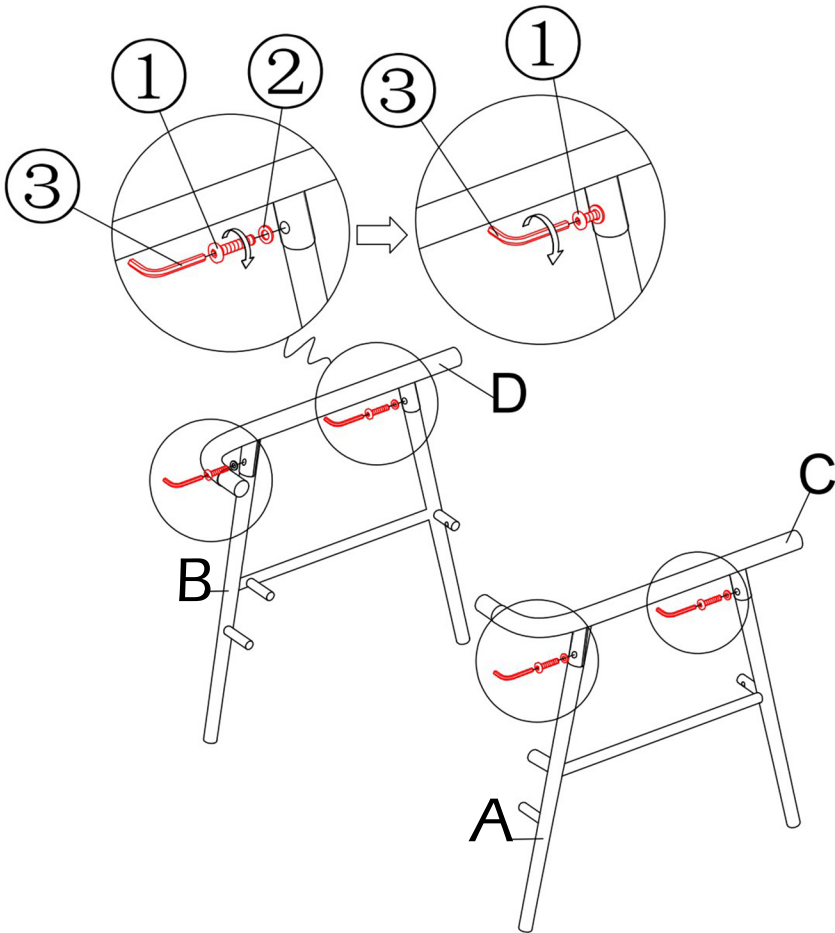
step 1

Insert right arm and left arm (D & C) into the right leg and left leg (A & B) as shown. Make sure they are aligned and installed correctly.



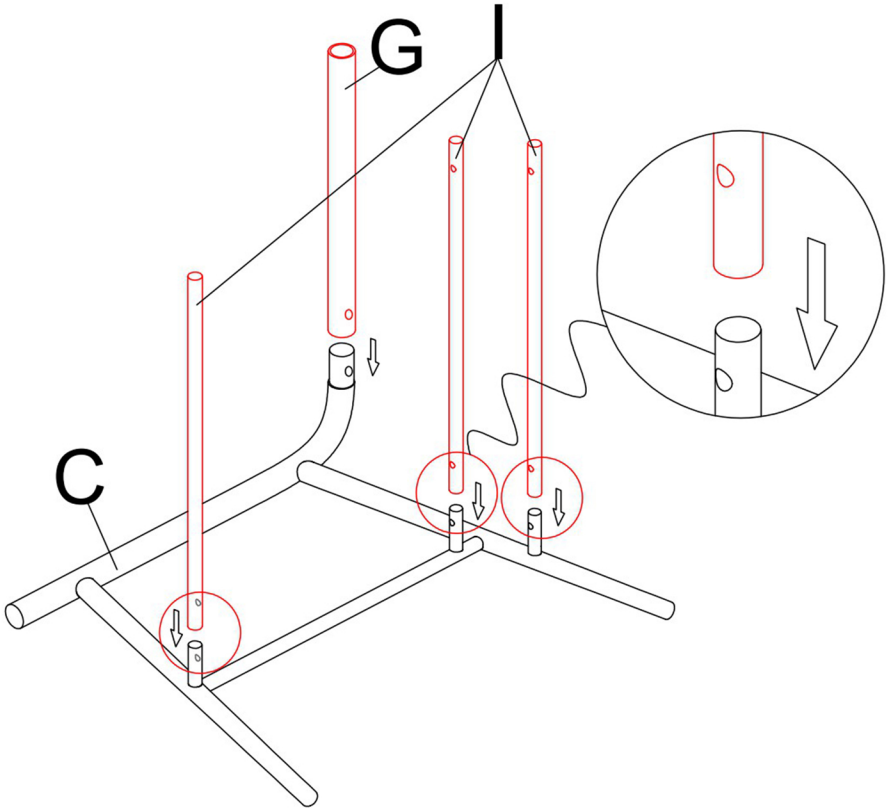
step 2

First, add one washer (2) on each screw (1) as shown, then align the screw holes on both armrest and chair foot, then use the allen wrench (3) provided to tighten all screws by 30% -50% at first, ensuring that all screws are aligned correctly before tightening all screws.



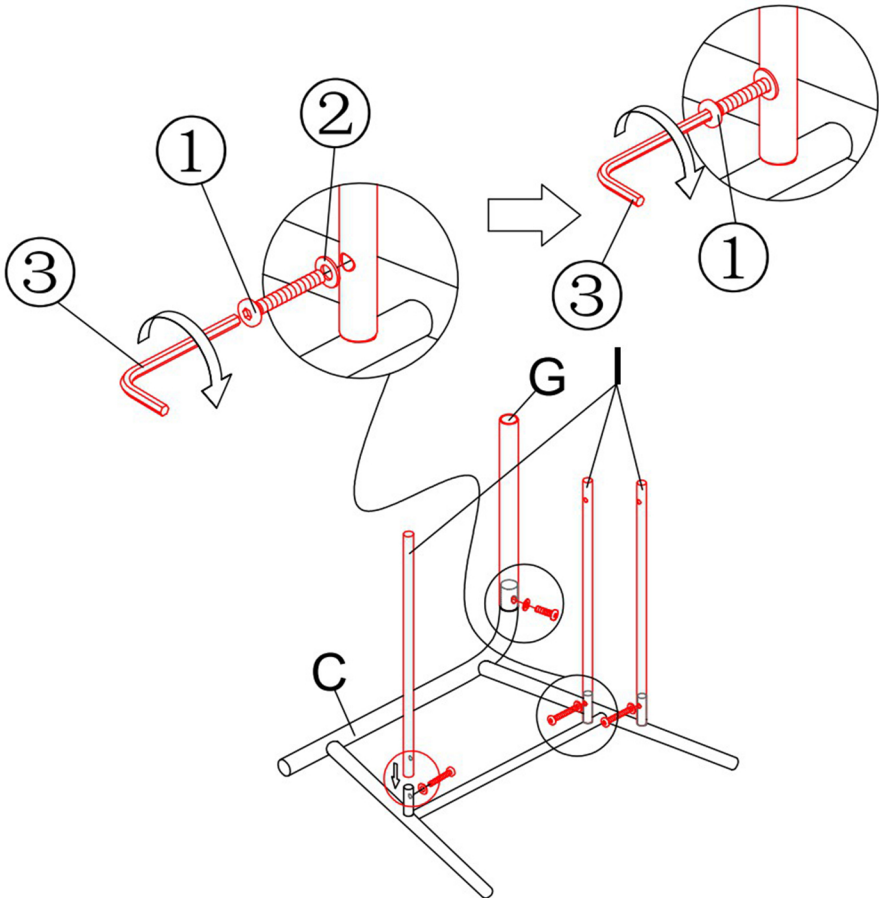
step 3

As shown in the figure, first lay the chair frame flat on the ground, and then connect the three fine rails (I) and one cross rail (G) to the left arm rest part (C).



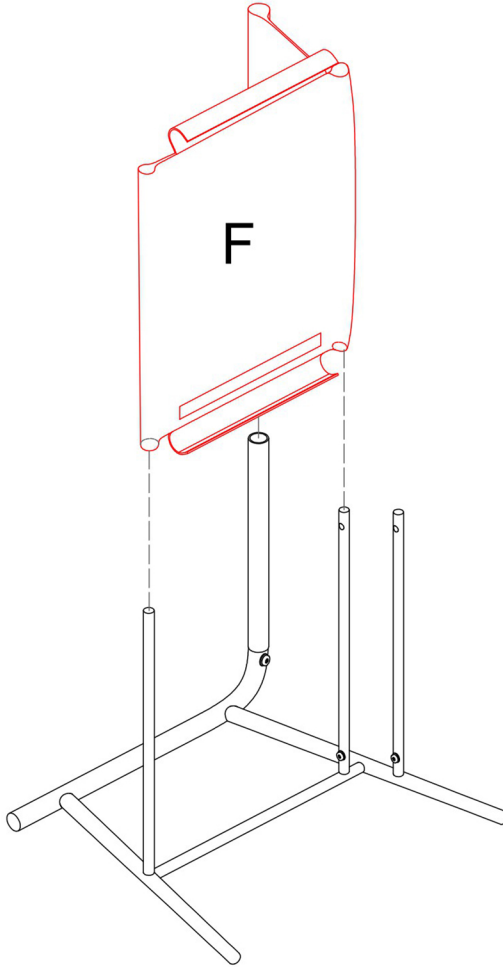
step 4

First, add one washer (2) on each screw (1) as shown, then align the screw holes on both rails and armrest part, then use the allen wrench (3) provided to tighten all screws by 30% -50% at first, ensuring that all screws are aligned correctly before tightening all screws.



step 5

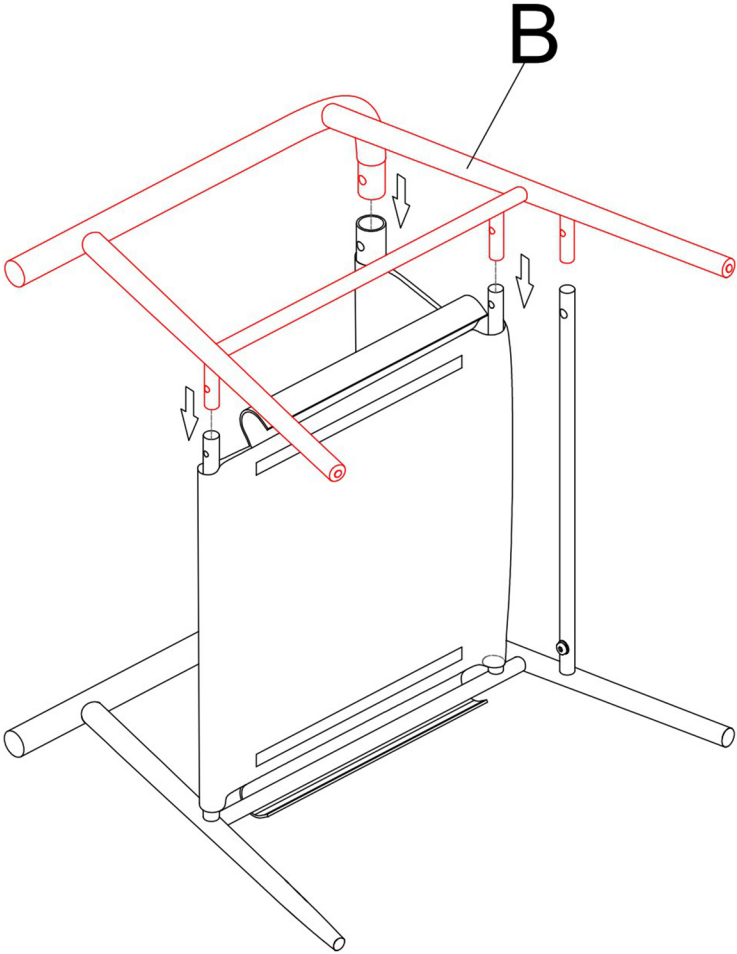
Align the rails with the holes on the cloth cover (F) as shown, then insert all rails in to the corresponding holes, make sure they are aligned correctly.



NOTE: Please notice, the face with Velcro tape is the bottom of the cloth cover.

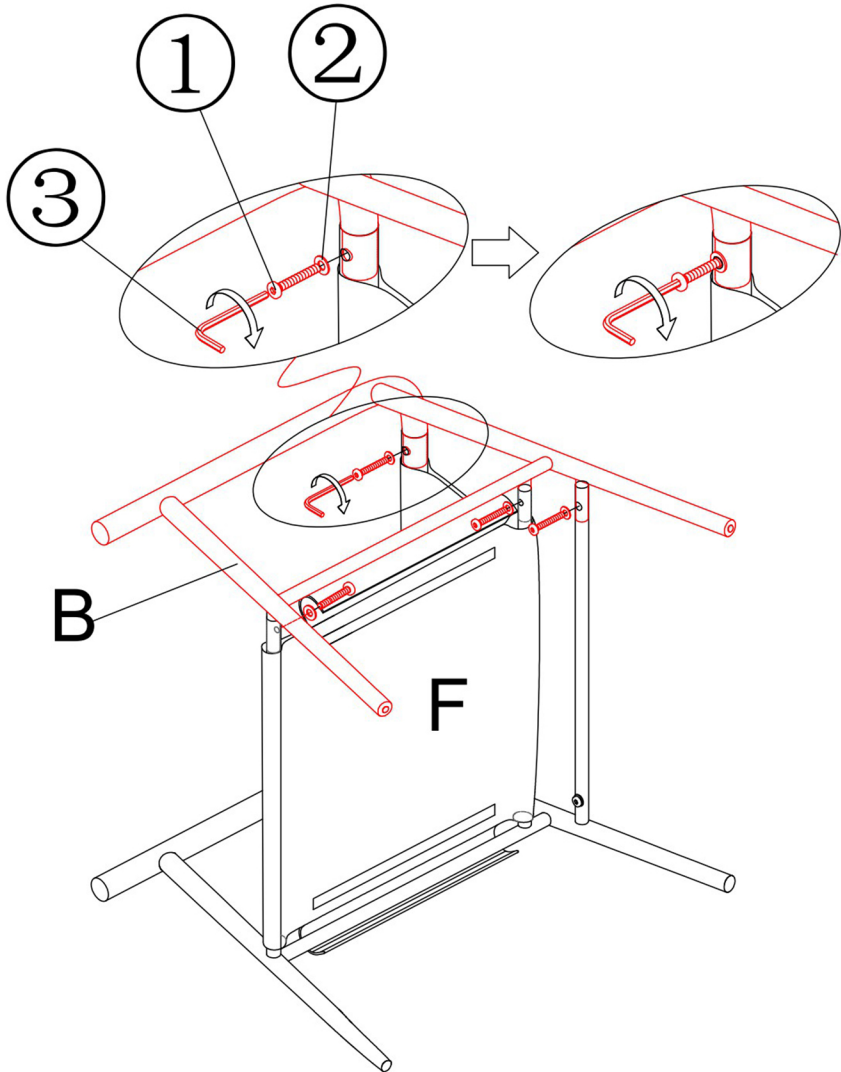
step 6

Connect the right armrest part (B) with the previous parts as shown, make sure they are aligned.



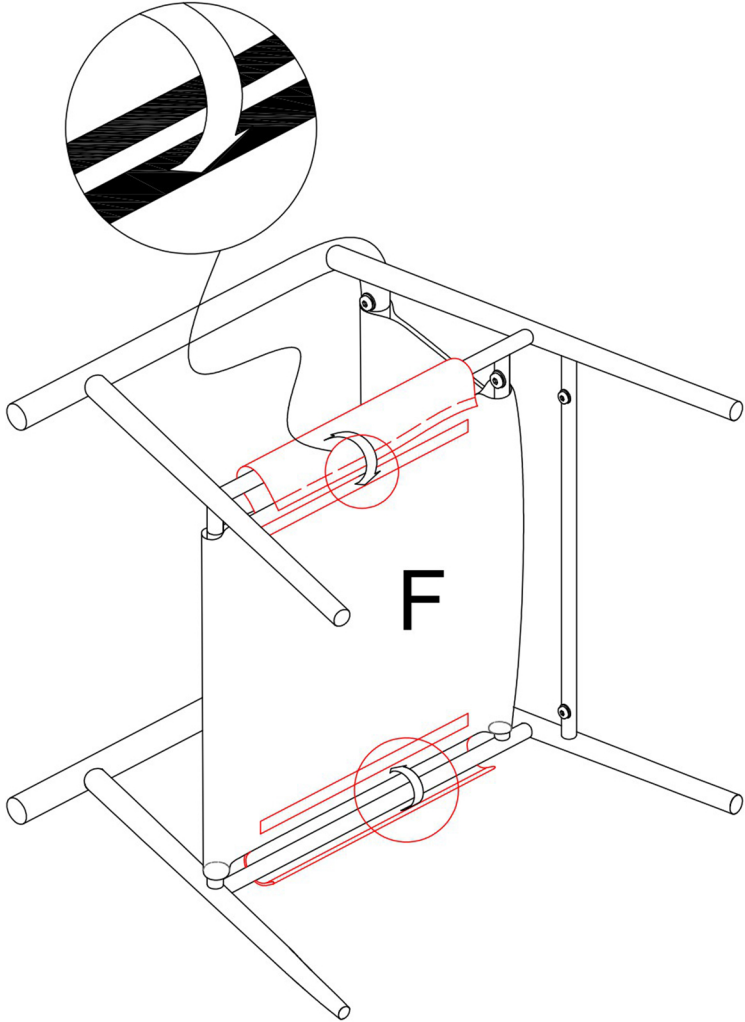
step 7

First, add one washer (2) on each screw (1) as shown, then align the screw holes on both rails and armrest part, then use the allen wrench (3) provided to tighten all screws by 30% -50% at first, ensuring that all screws are aligned correctly before tightening all screws.



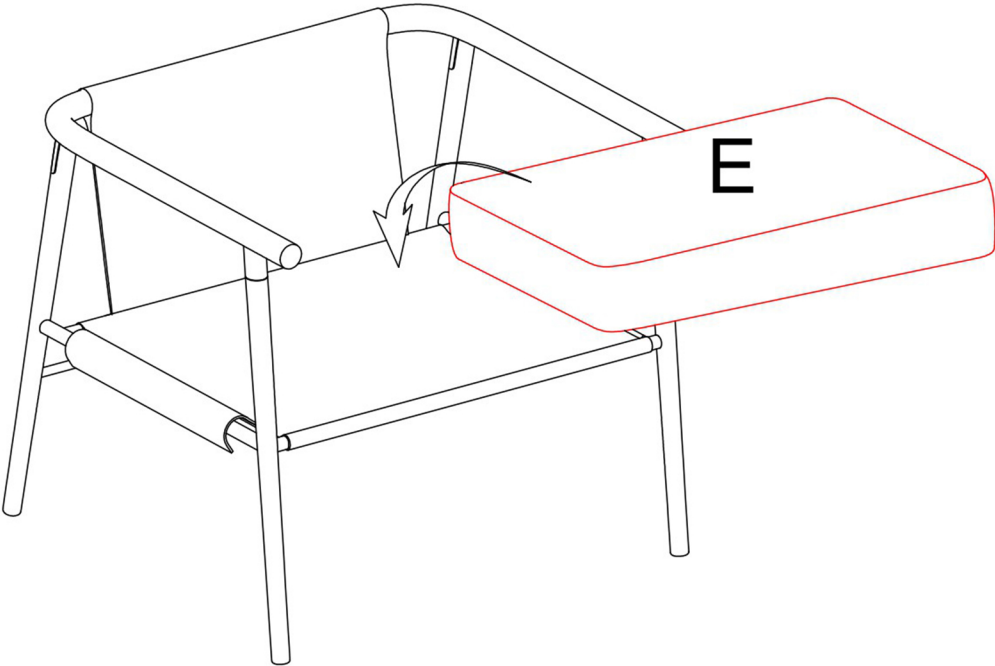
step 8

Stick the Velcro cover underneath the cloth cover (F) as shown.



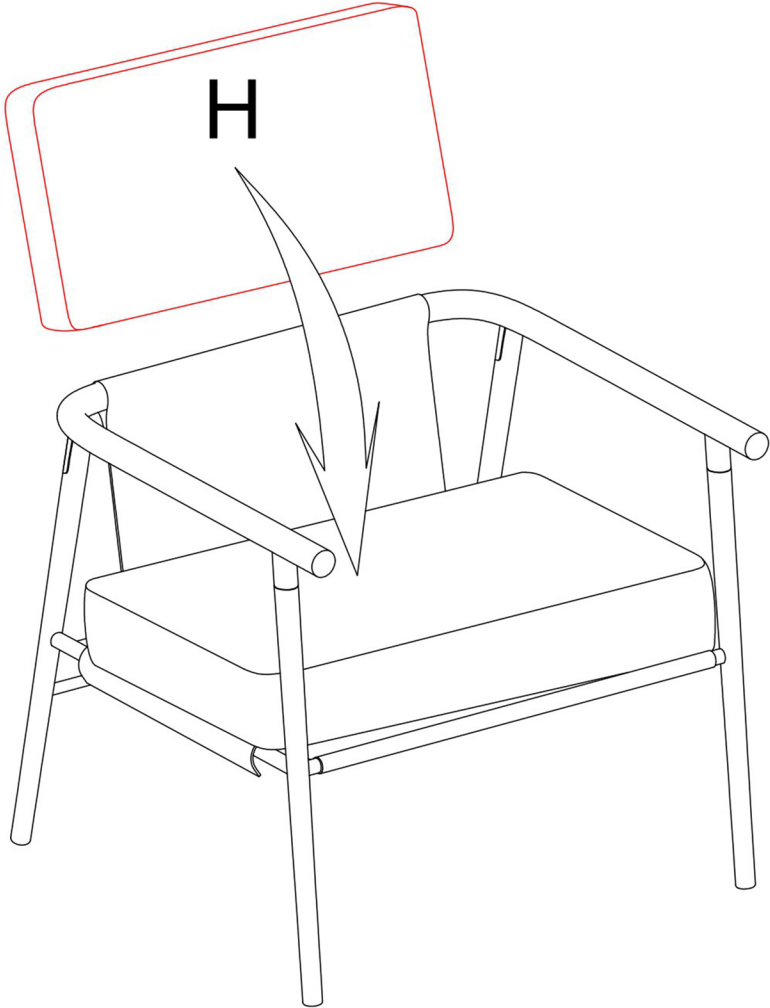
step 9

Place the seat cushion (E) onto the chair.



step 10

Place the back cushion (H) onto the chair.



step 11

The assembly is completed, thank you for choosing our product, please enjoy!

