

# Assembly Instruction

**Tools Required:** Flathead screwdriver, Phillips screwdriver, pliers, wire cutters, wire strippers, electrical tape, safety glasses.

**Light Source:** Integrated 4.5W LED

**Estimated Assembly Time:** 20-30 minutes

**Preparation:** Identify and inspect all parts before beginning installation. Check package content list and diagrams below to be sure all parts are present. If any parts are missing or damaged, do not attempt to assemble, install, or operate the fixture. Contact customer service for replacement parts.

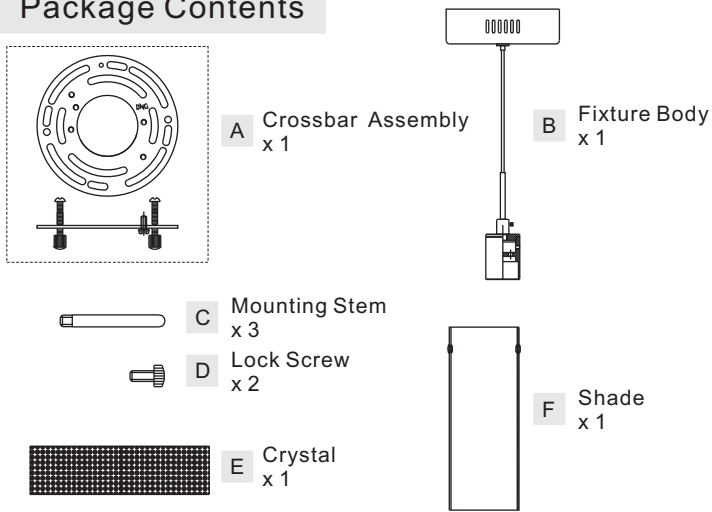
## Warnings and Cautions

Turn off electricity at circuit breaker or main fuse box before installation. Consult a licensed electrician if in doubt.

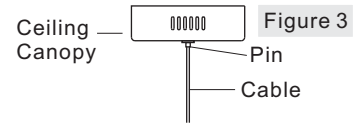
These instructions are provided for your safety. It is very important you read them completely before installing the fixture. We strongly recommend that a licensed, professional electrician perform the installation.

Disconnect fixture from power source before replacing bulbs. Make sure bulbs are given sufficient time to cool before removal. Do not subject glass parts to any shock while in operation or shattering may result.

## Package Contents



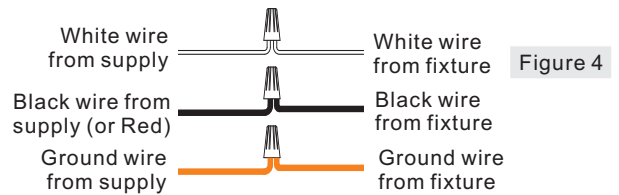
## STEP 3 - Adjust Fixture Height



A. Push the Pin and adjust the Cable length to achieve your desired fixture height.

## STEP 4 - Wire Connections

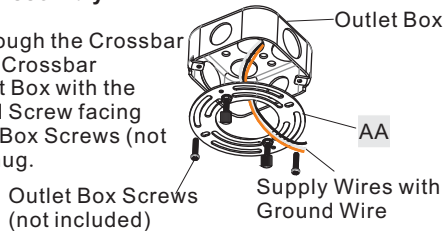
A. Use standard wire connectors (not included) to make all wire connections. (Connectors are not included with fixture.) Twist connectors until wires are tightly joined together. Wrap each connection with approved electrical tape and carefully stuff all the connected wires into the Outlet Box.



## STEP 1 - Install Crossbar Assembly

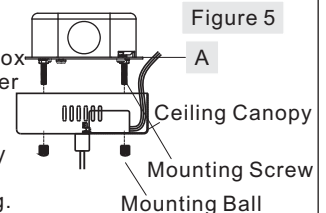
A. Pass the supply wires through the Crossbar Assembly (A). Attach the Crossbar Assembly (A) to the Outlet Box with the head of the Green Ground Screw facing you. Secure it with Outlet Box Screws (not included). Tighten until snug.

Figure 1



## STEP 5 - Install Fixture Body

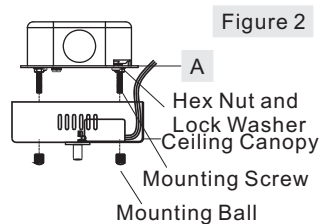
A. Carefully tuck all wires into the outlet box and position the Ceiling Canopy (A) over the outlet box. Align the holes in the Ceiling Canopy (A) with the mounting screws, then attach the Ceiling Canopy (A) using the previously removed mounting balls. Hand tighten until snug.



## STEP 2 - Fit Ceiling Canopy to Crossbar Assembly

A. Remove mounting balls from the Crossbar Assembly (A). Fit the Ceiling Canopy to the Crossbar Assembly (A) and secure with mounting balls. Note: The Ceiling Canopy should be snug against the ceiling and the mounting balls. If Not, adjust the length of the

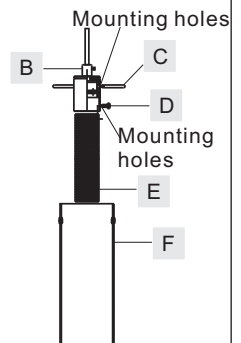
nipple on the Crossbar Assembly (A) by unscrewing the preassembled hex nut and lock washer and then screwing the mounting screws in or out of the crossbar until the correct length is achieved. Once the Ceiling Canopy is secure, remove the mounting ball and Ceiling Canopy and proceed to Step 3.



## STEP 6 - Install Shade

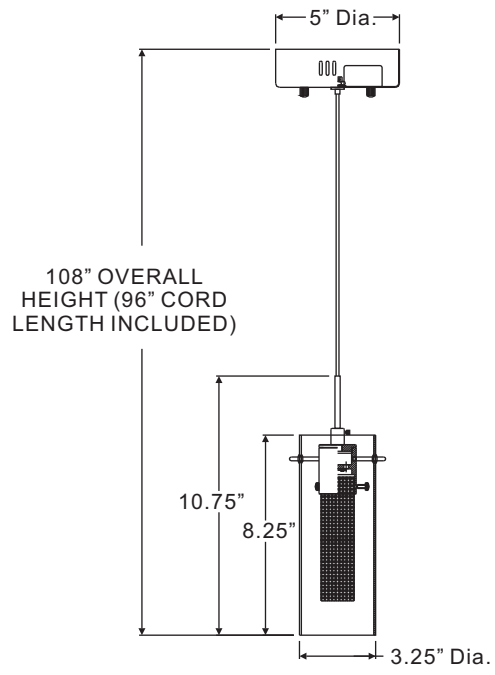
A. Place the Crystal (E) inside of the Fixture Body (B), line up the holes on the side of the Crystal (E) and the mounting holes on the side of the Fixture Body (B). Thread the Lock Screw (D) into the mounting holes on the Fixture Body (B) and extrude them from the holes on the side of the Crystal (E) to secure the Crystal (E).

B. Place the Shade (F) inside of the Fixture Body (B), line up the holes on the side of the Shade (F) and the mounting holes on the side of the Fixture Body (B). Thread the Mounting Stem (C) into the holes on the side of the Shade (F) and mounting holes on the Fixture Body (B).



Your fixture is now assembled and ready to use. Enjoy!

FINISH: Polished Chrome



NOTE: ALL DIMENSIONS ARE ROUNDED UP TO THE NEAREST 1/4"