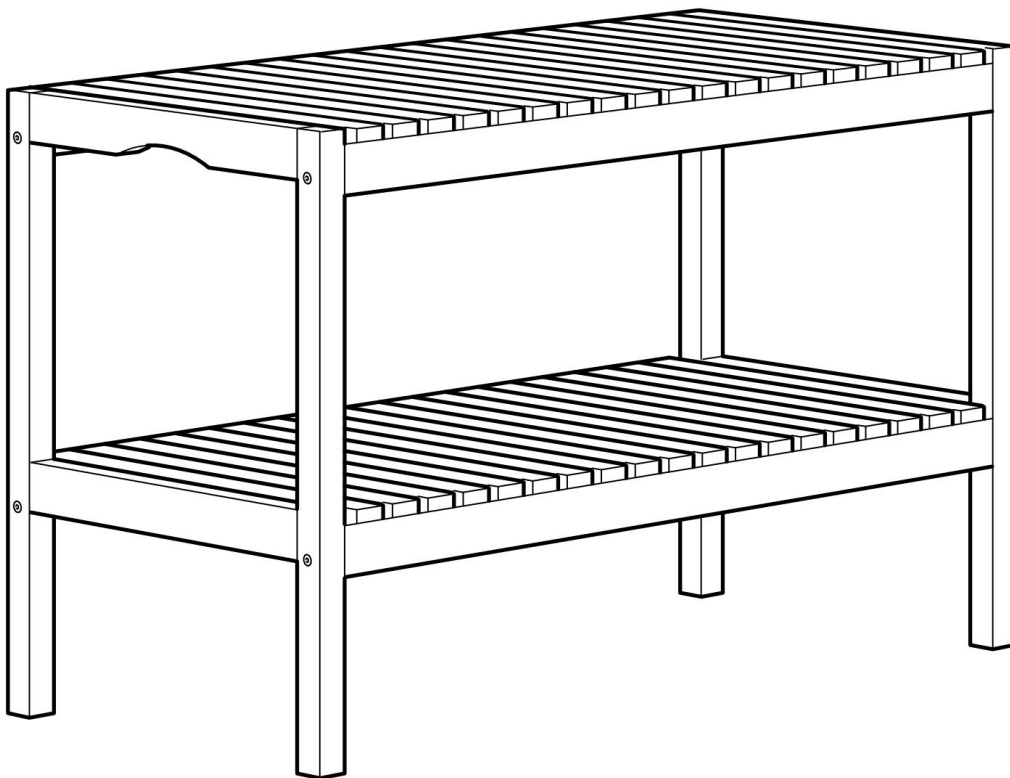


HMD FURNITURE

BENCH

Assembly Instructions

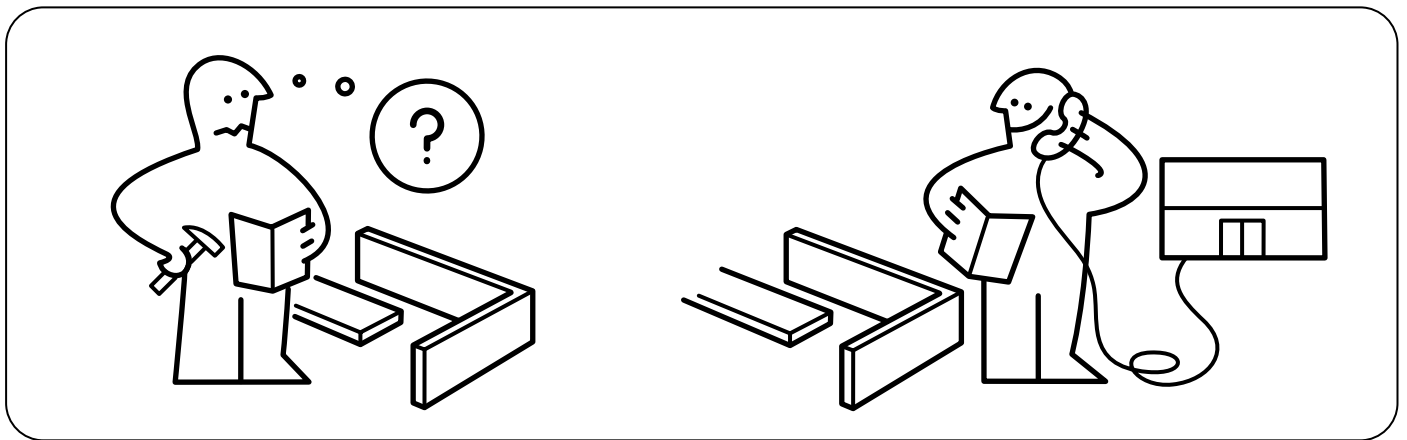
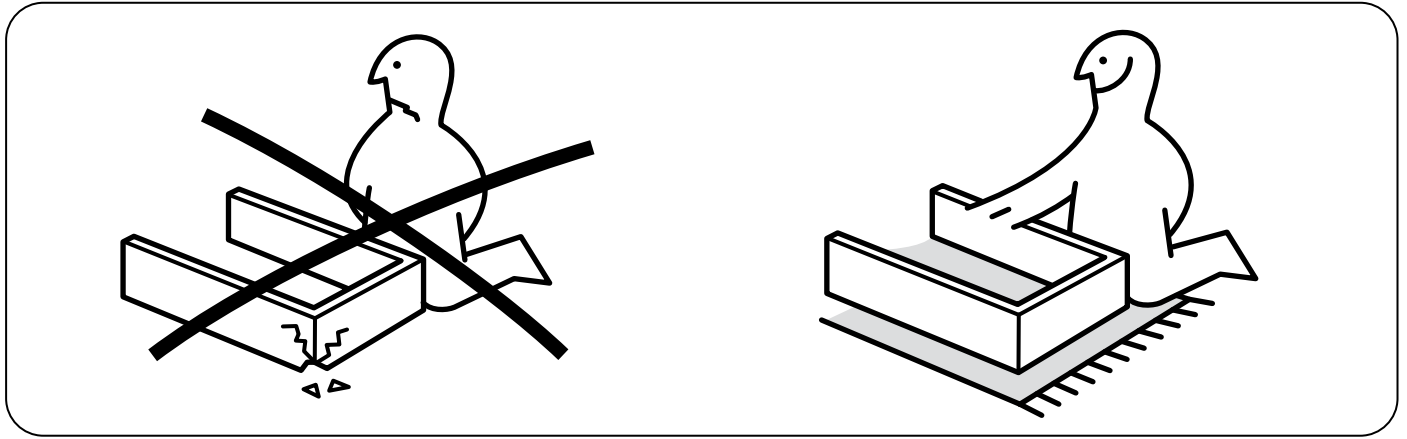
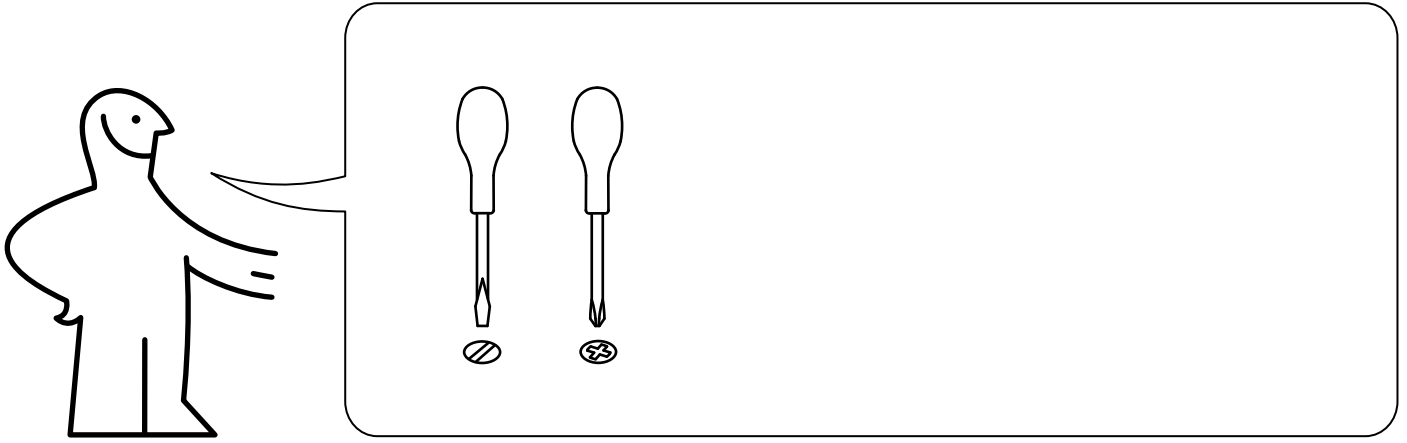


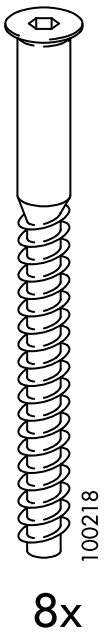
PLEASE READ this instructions carefully before assembly the product.

Please open the outer carton carefully and confirm all parts and fixings condition according to the instruction before assembly.

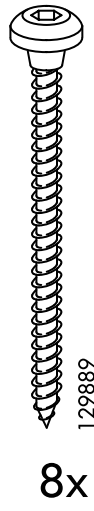
If there is a shortage of parts or hardware or any questions, do not directly return or give a negative feedback, please contact us by this e-mail: help@furniturehmd.co.uk

Our professional after-sales service staff will give you a satisfactory answer within 24 hours.

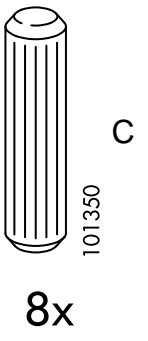




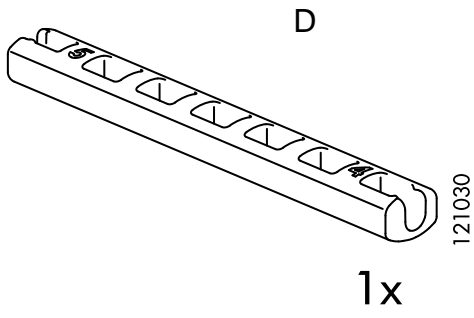
A



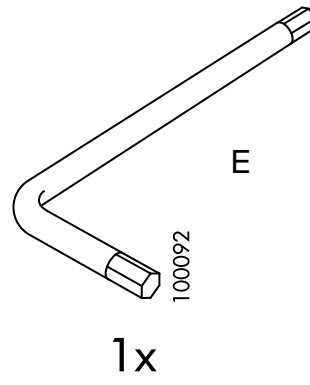
B



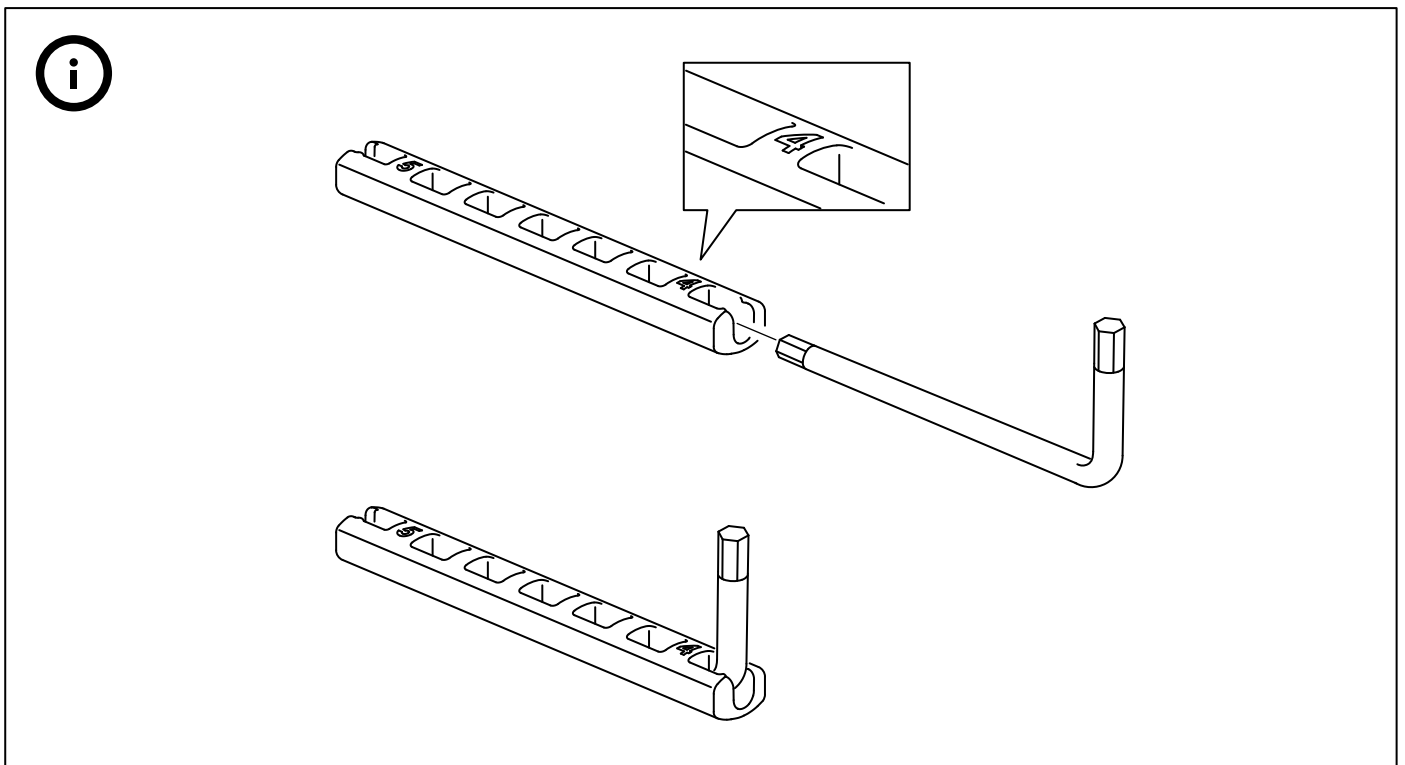
C

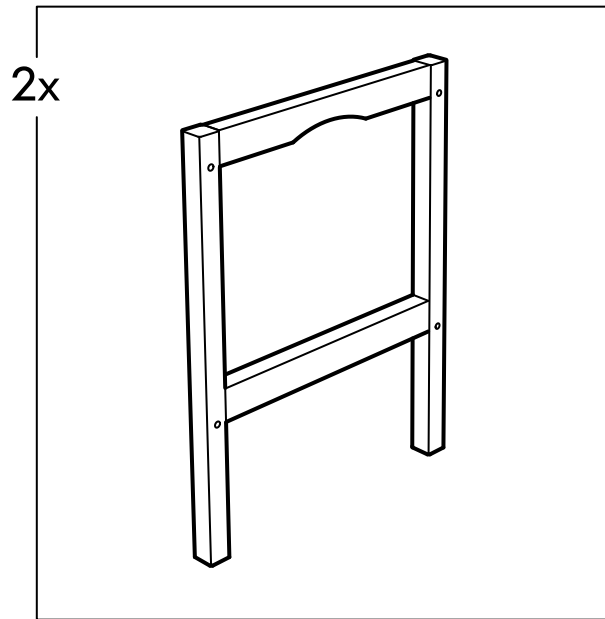


D

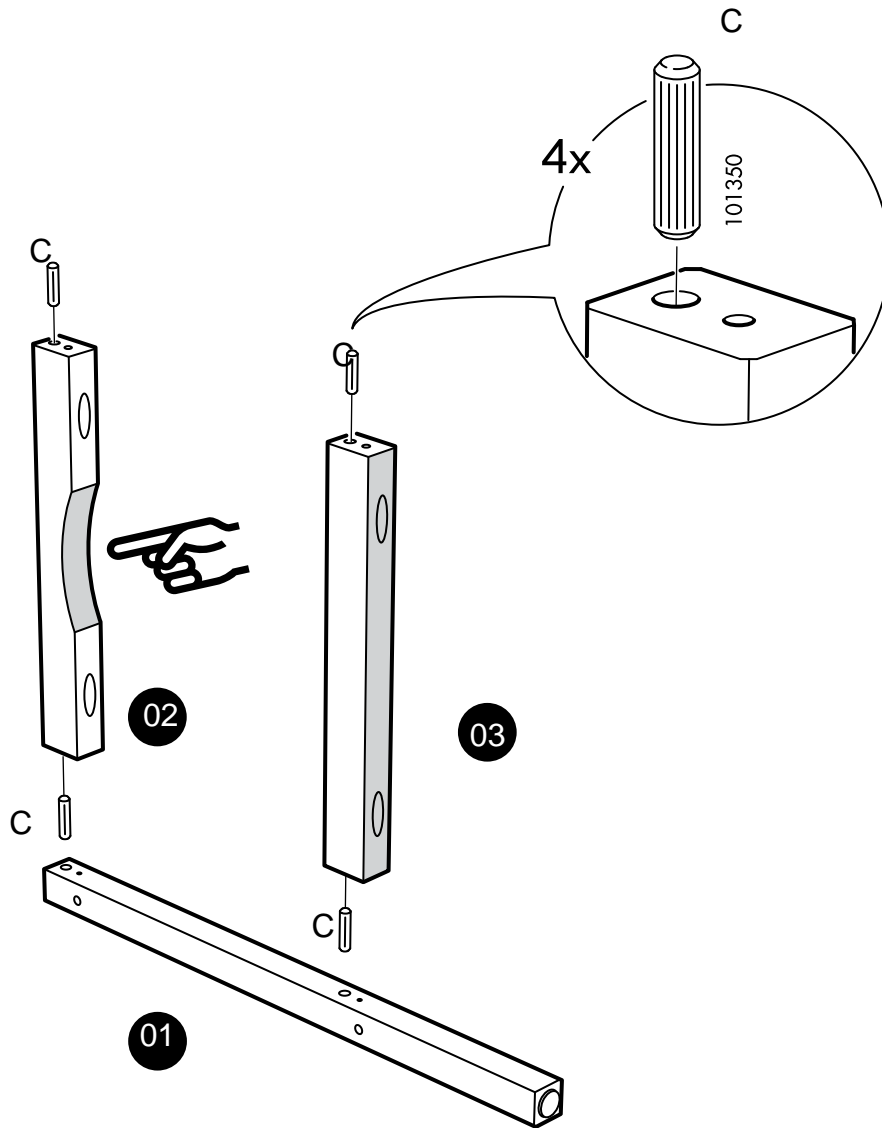


E

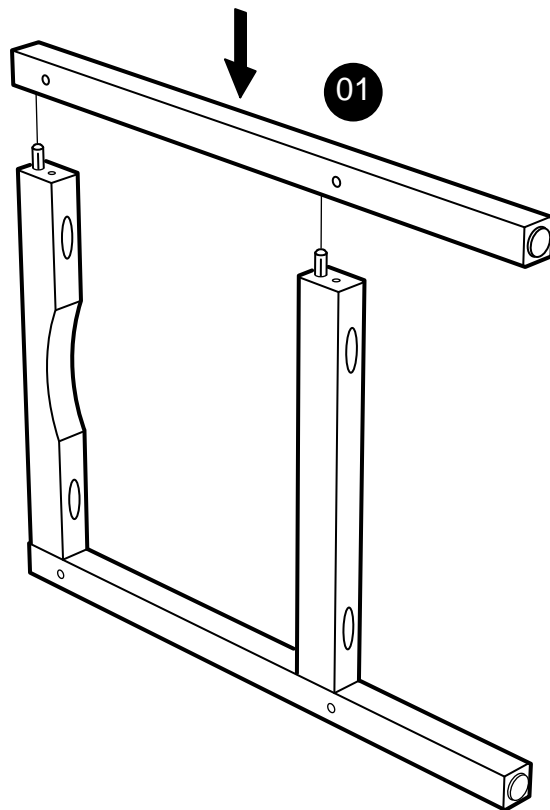




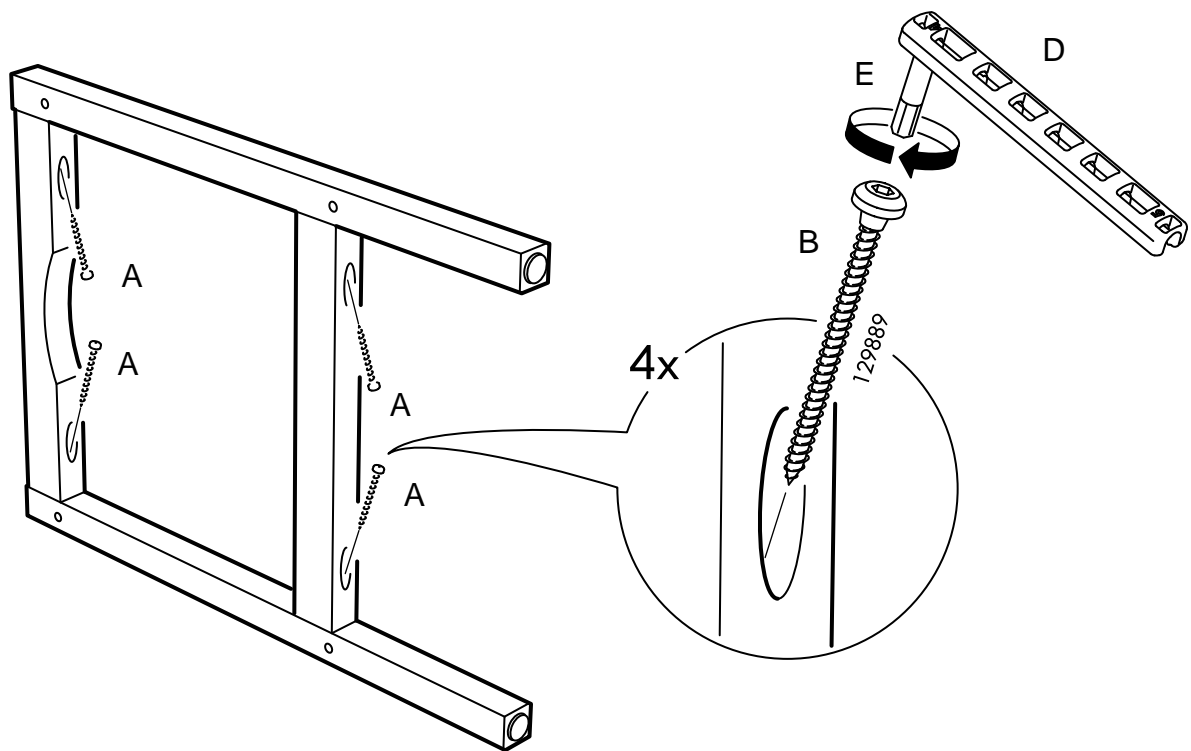
1



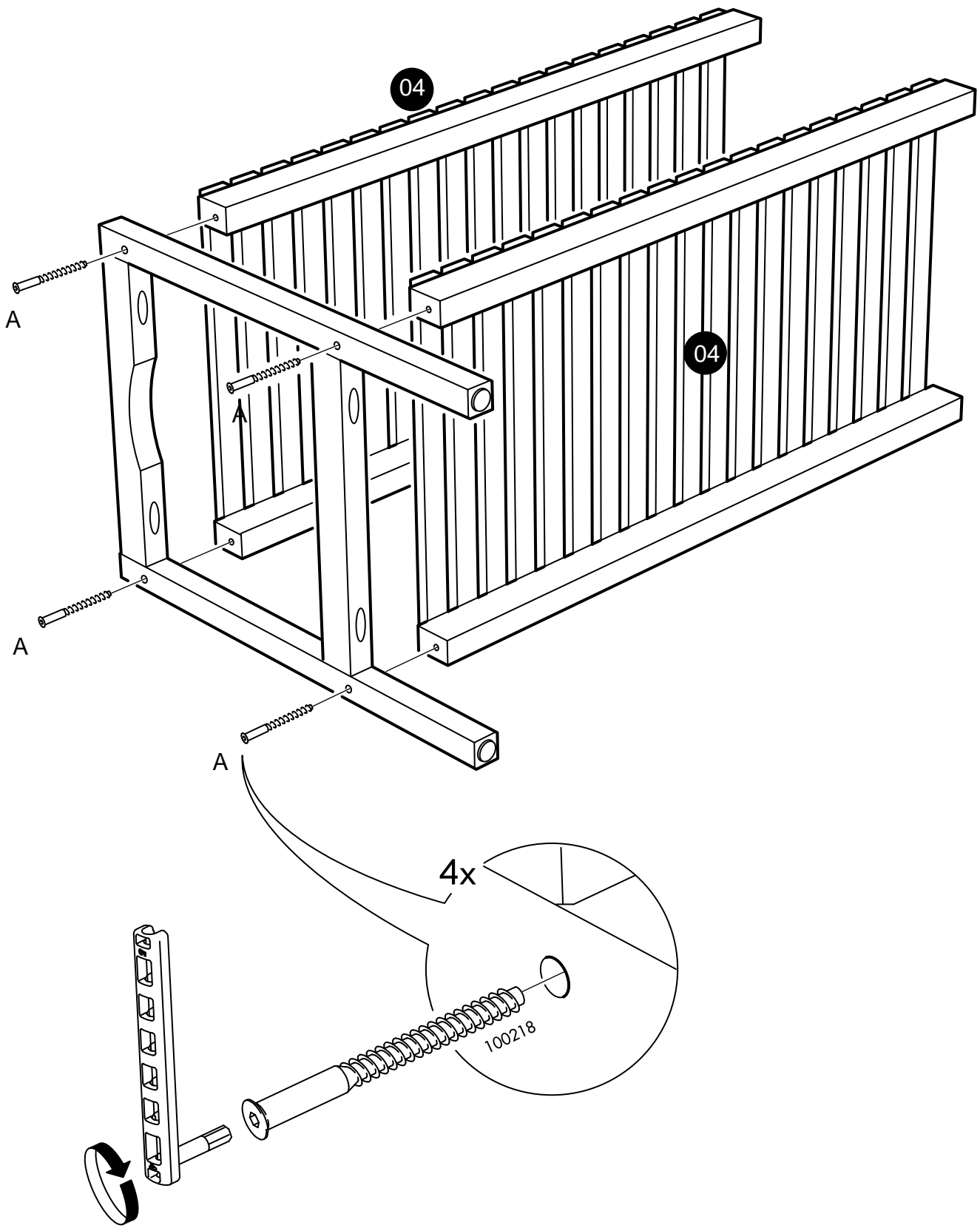
2



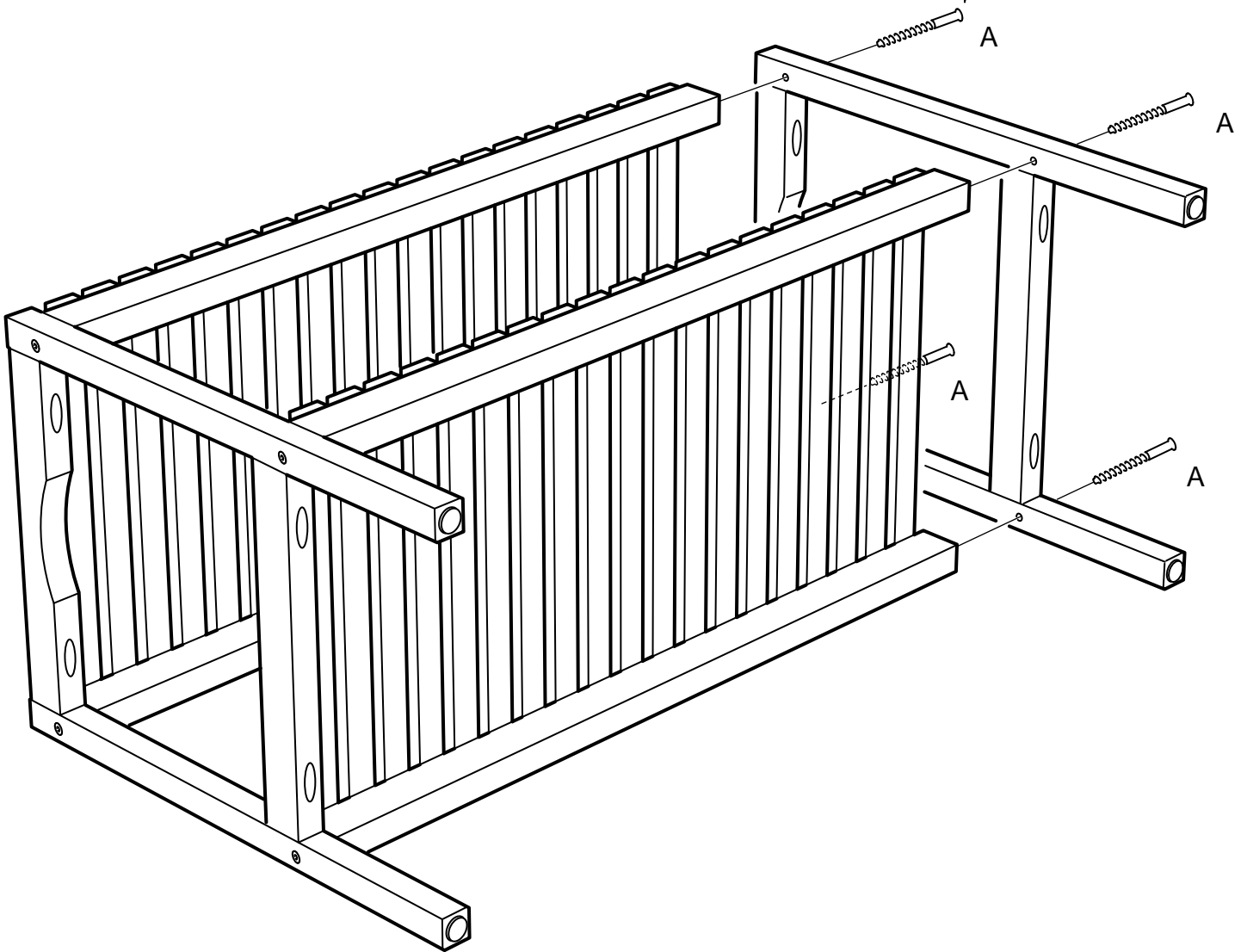
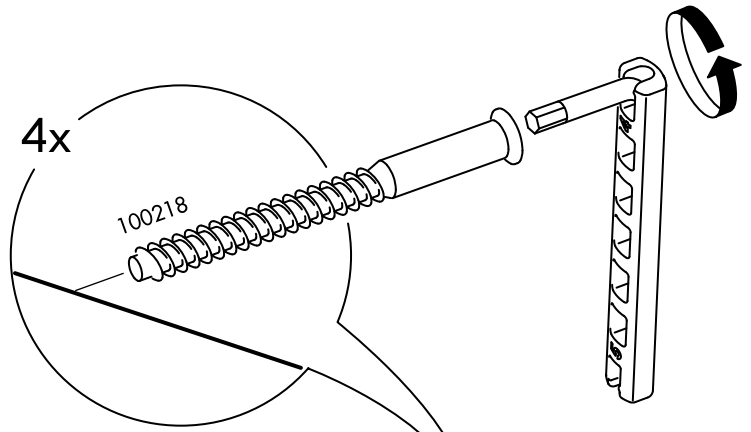
3



4



5



Dear Customer,

Please feel free to contact our customer service team directly via email at

help@furniturehmd.co.uk. Provide as much detail as possible

regarding the nature of your issue, including **photos if needed**, so we have the necessary information to assist you properly. We will work to investigate what has gone wrong and determine the best solution to remedy the situation to your satisfaction.

Please let us know how else we may assist. We are here to help however needed.

With gratitude,

Customer Service Representative

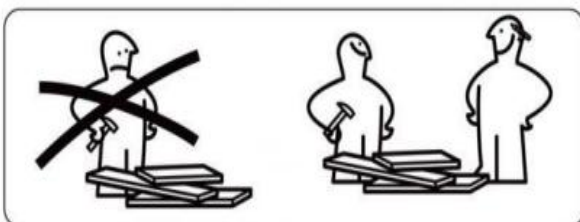
Return:

Please keep your **original packages**, due to the health and safety reasons, we can not accept returns without original packages.

Comments and Suggestions:

Please give us your advice about this purchase and send to this e-mail: help@furniturehmd.co.uk

Need Two Or More People To Complete



Assemble Item On a Clean Flat Surface

