

## Lavendaria 24" Dual Mount Stainless Steel Laundry Sink

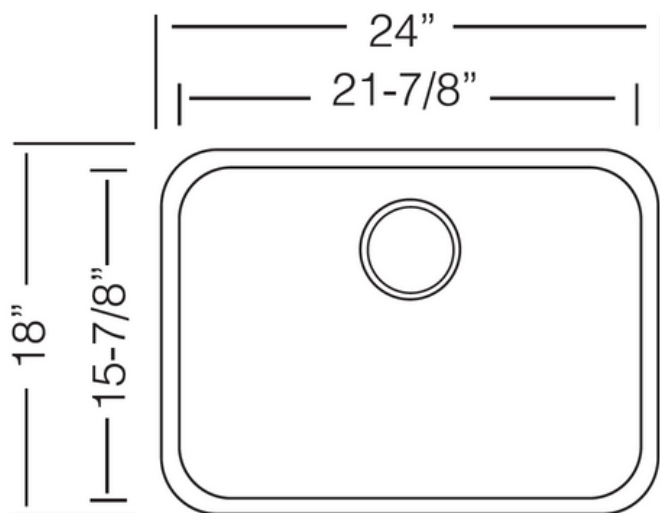
### GENERAL

Fine quality sink bowl formed of 18 gauge  
BA 304 18/10 nickel bearing stainless steel.

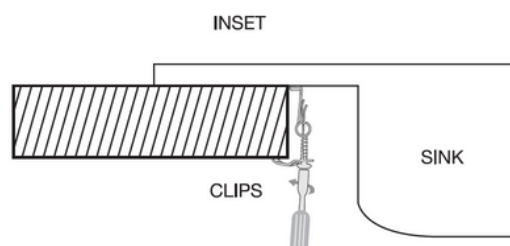
### DESIGN FEATURES

Bowl Depth : 10"  
Finish : Soft Satin Finish  
Underside : Sound absorbing pads and special pain  
applied to dampen sound  
Drain Opening : 3-1/2"

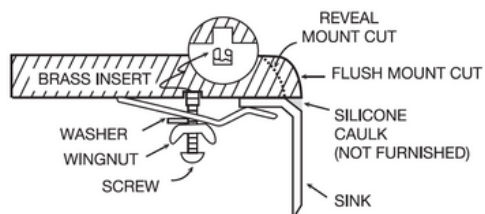
### SINK DIMENSIONS (INCHES)



(Inset)



### INSTALLATION PROFILE\*



\*Template and countertop  
mounting clips are packed  
with every sink

