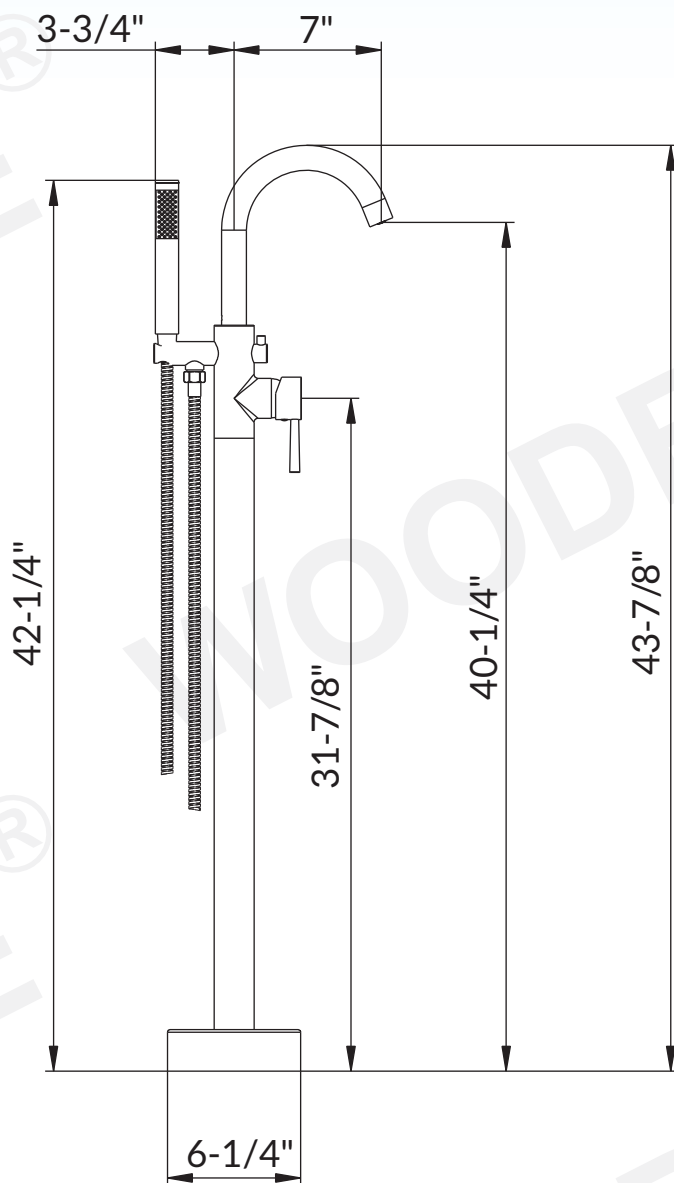


## PREPARATION FOR INSTALLATION



**ATTENTION!** Dimensions may vary by up to 3/8". It is highly recommended to pull all dimensions of actual model for installation and measuring purposes.

**ATTENTION!** Measurements in inches are rounded to the nearest 1/8".

### TECHNICAL DATA

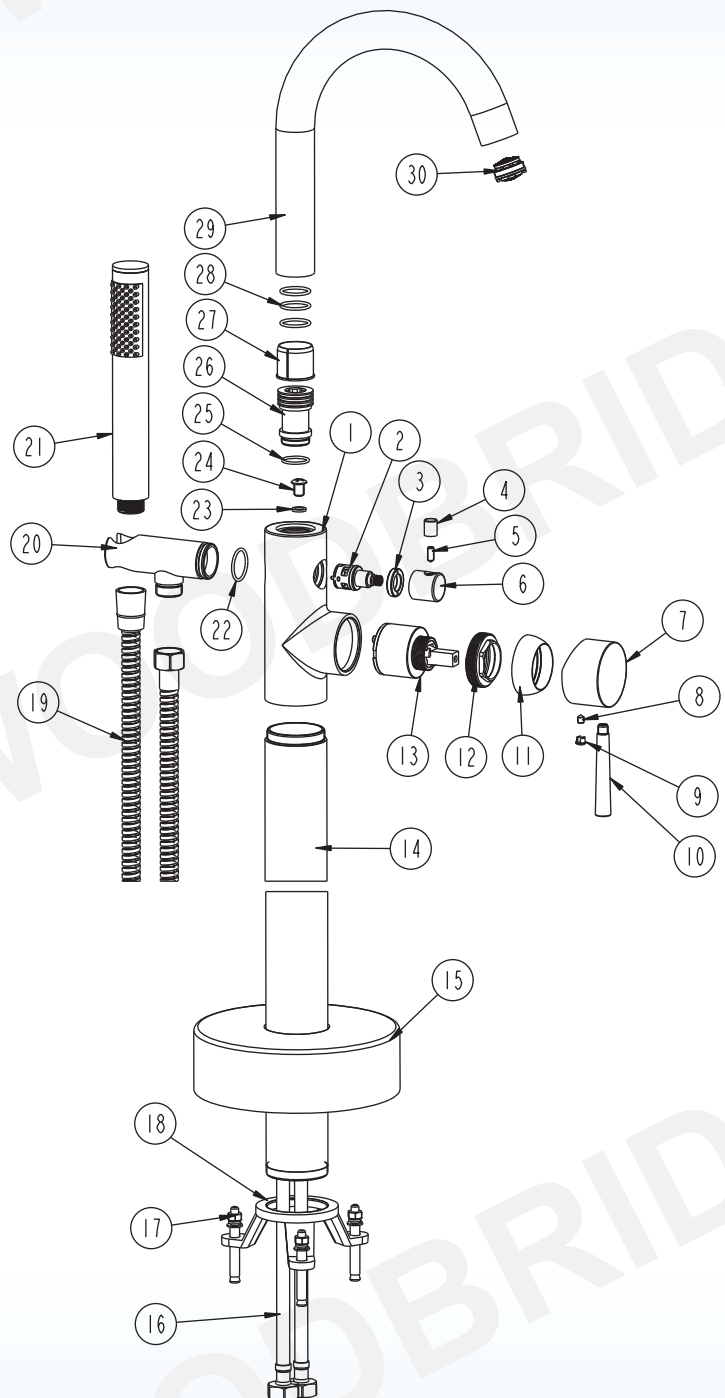
Max flow rate 2.5 GMP at 60 PSI

Customer Service Phone: 562-229-0088. (Monday - Friday 9 AM - 5 PM Pacific Time)

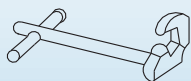
Or Email: [help.woodbridge@gmail.com](mailto:help.woodbridge@gmail.com)

## PARTS & COMPONENTS

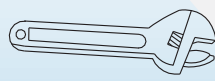
No	Component
1	Body
2	Cartridge
3	Press Hat
4	Handle Shaft
5	Screw
6	Handle Cover
7	Handle Cover
8	Screw
9	Canopy
10	Handle Shaft
11	Cap
12	Press Hat
13	Cartridge
14	Take Over
15	Cover
16	Flexible Hose
17	Screw
18	Triangle Plank
19	Flexible Hose
20	Spout
21	Spray Head
22	O-Ring
23	Washer
24	Screw
25	O-Ring
26	Joint
27	Plastic Ring
28	O-Ring
29	Spout Pipe
30	Aerator



### TOOLS REQUIRED FOR INSTALLATION



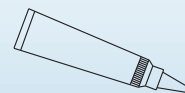
Basin Wrench



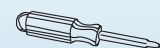
Adjustable Wrench



Teflon Tape



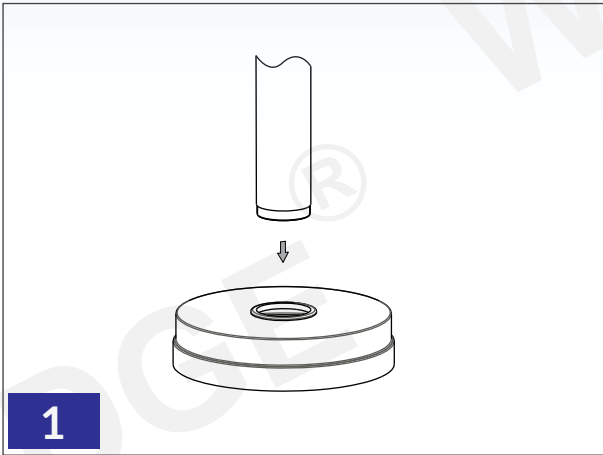
Silicone Sealant



Screwdriver

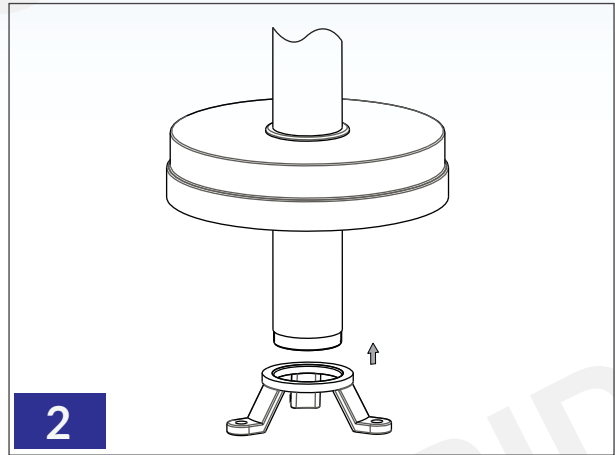
OTHER TOOLS MAY BE REQUIRED

## INSTALLATION INSTRUCTIONS



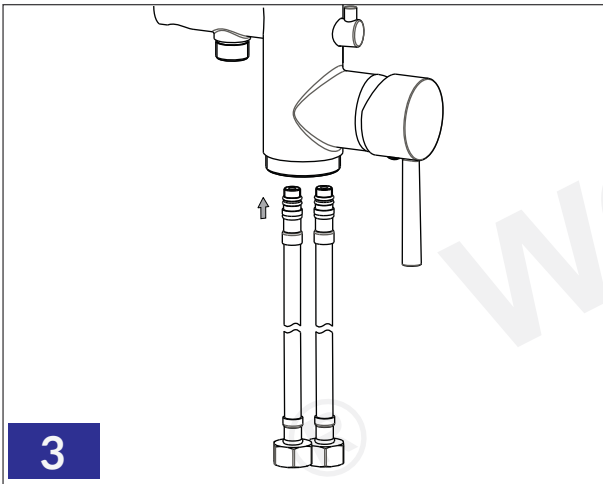
1

Put the base cover over the pipe.



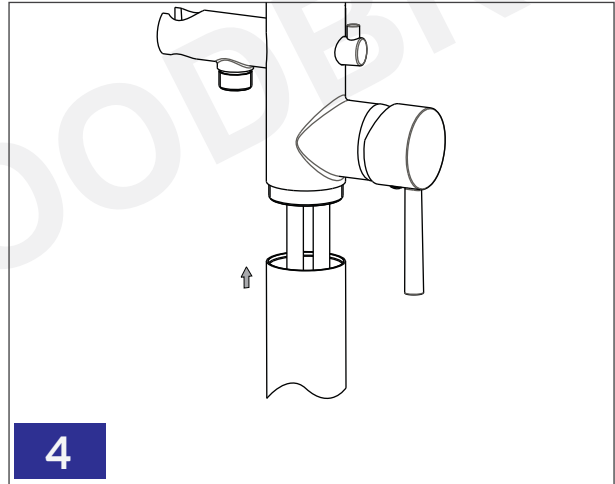
2

Screw the pipe to the base.



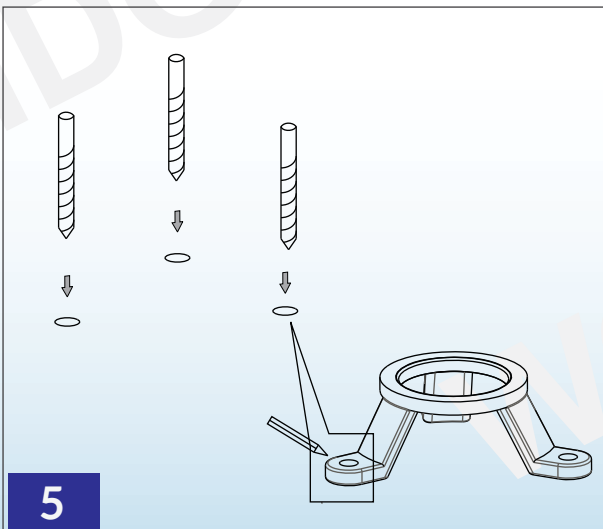
3

Install the flexible hose now and ensure the flexible hoses are hand tightened into place.(DO NOT USE SPANNER TO TIGHTEN AS IT CAN DAMAGE THE O-RING). The flexible hoses are to be fitted into the correct inlets for hot water and for cold water.



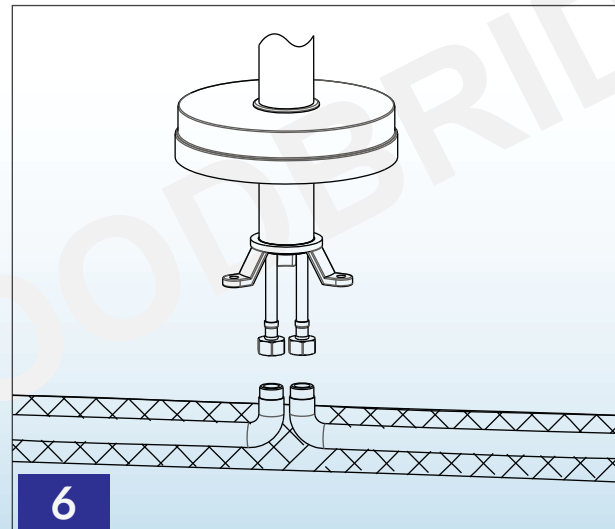
4

Fix the faucet body to the pipe.



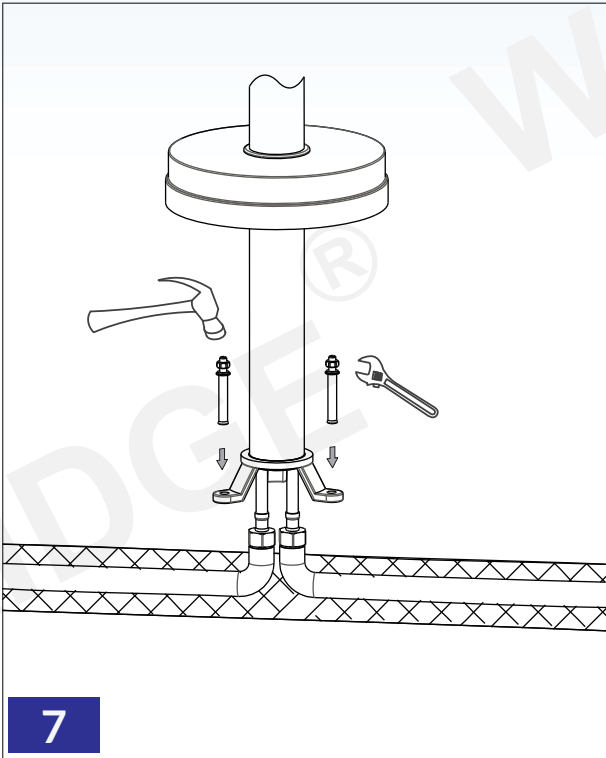
5

Fix the screw position



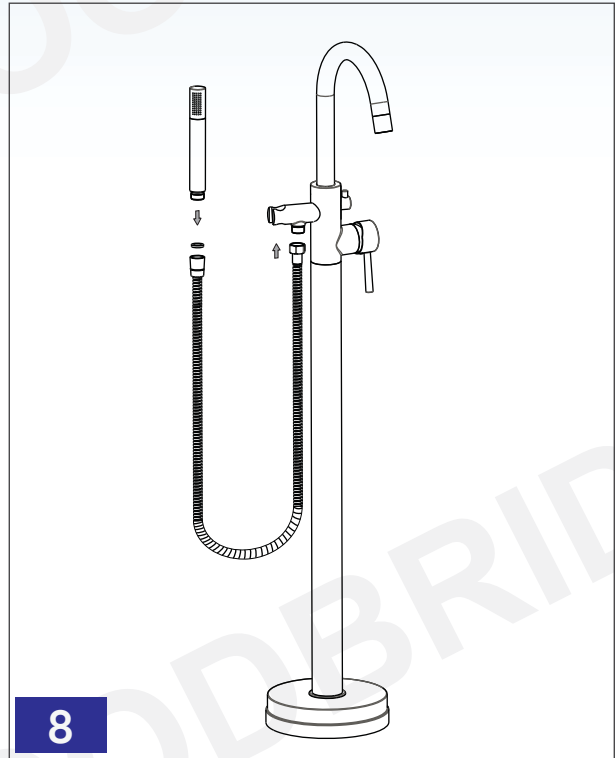
6

Connect another side of the flexible hose to the water supply pipe. Make sure they are to be fitted into the correct outlets for hot water and cold water.



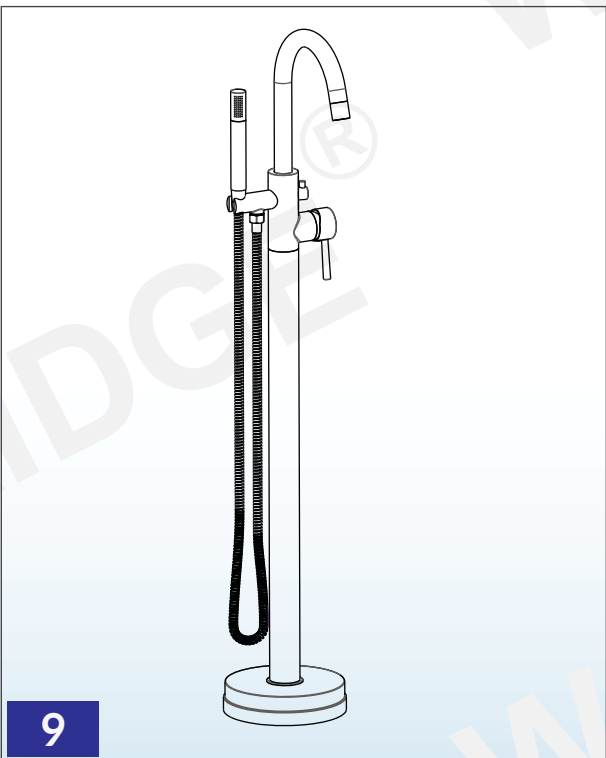
7

Use the explosion screw to fix the base on the ground, and put the base cover over the base.



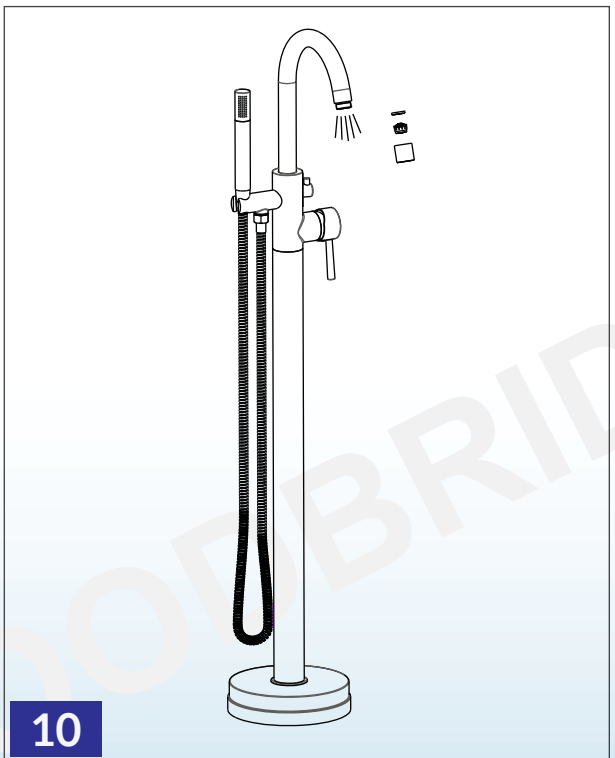
8

Connect the shower hose and hand shower.



9

The installation is completed.



10

After installation is complete, remove Spray head and rotate handle to the close position. Turn Water Supply Valves on, and check all connections for leak. Flush faucet by running hot and cold water in full position for one minute. Re tighten the Aerator.

