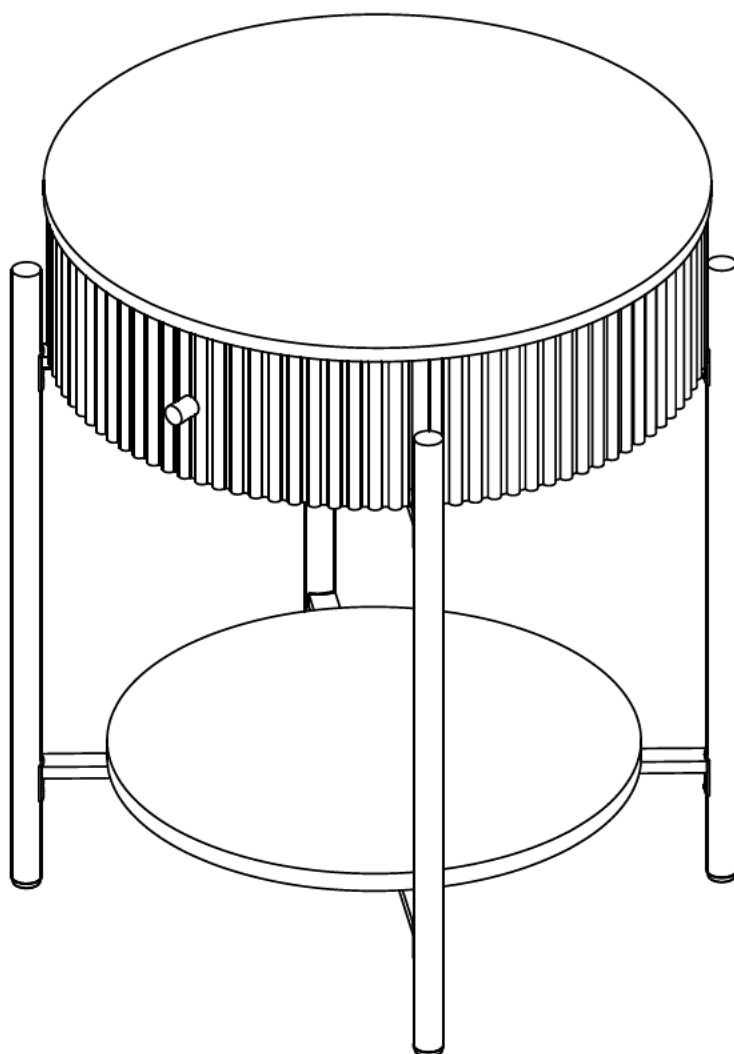
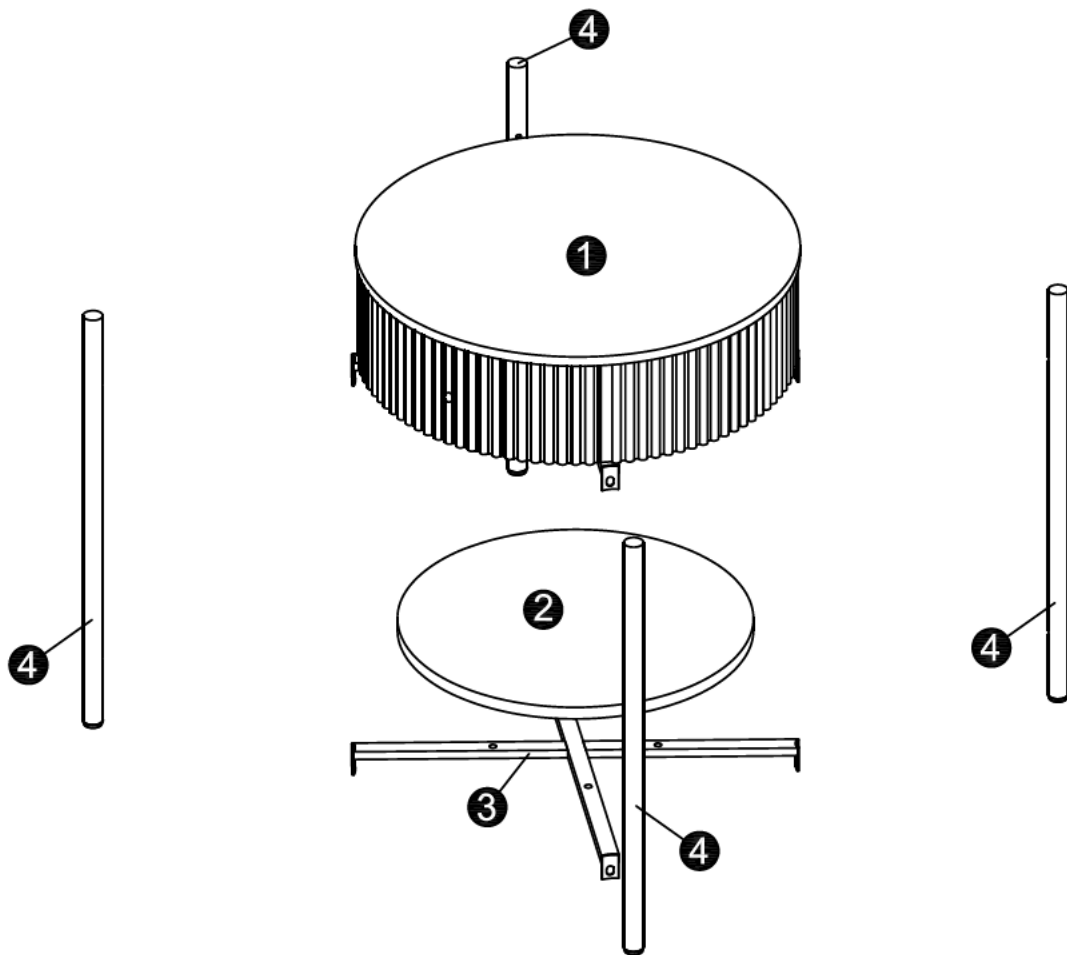





# ASSEMBLY INSTRUCTION







A	x1
	
M4	

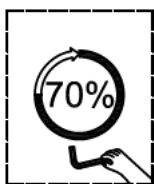
B	x8
	
M6x12mm	

C	x4
	
M6x18mm	

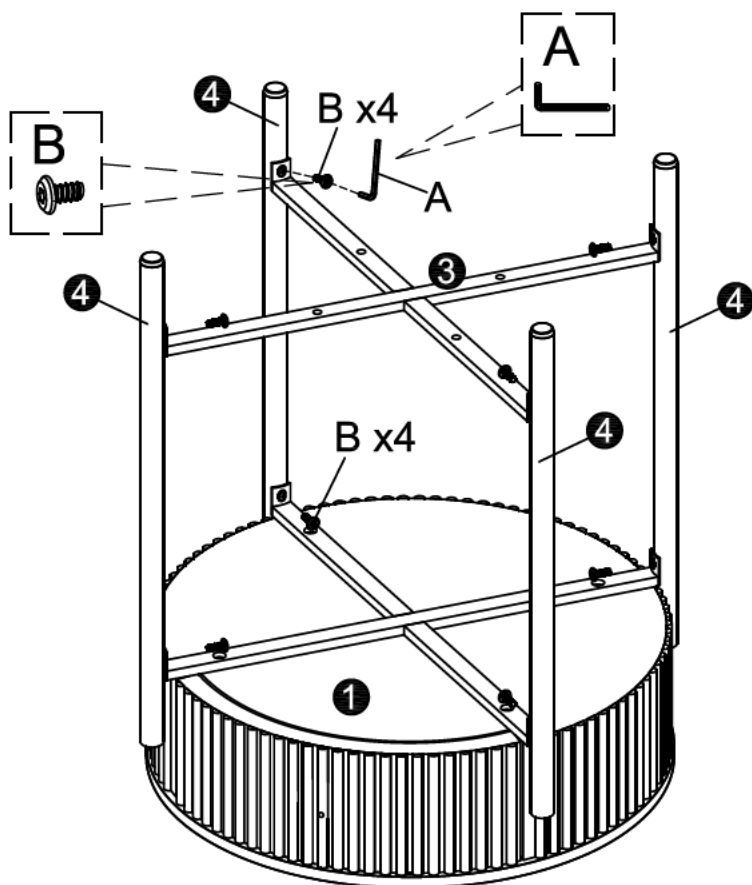
D	x1
	
M4x25mm	

E	x1
	
M4x25mm	

1

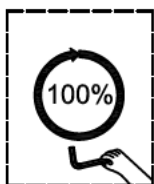


Screw assembly progress

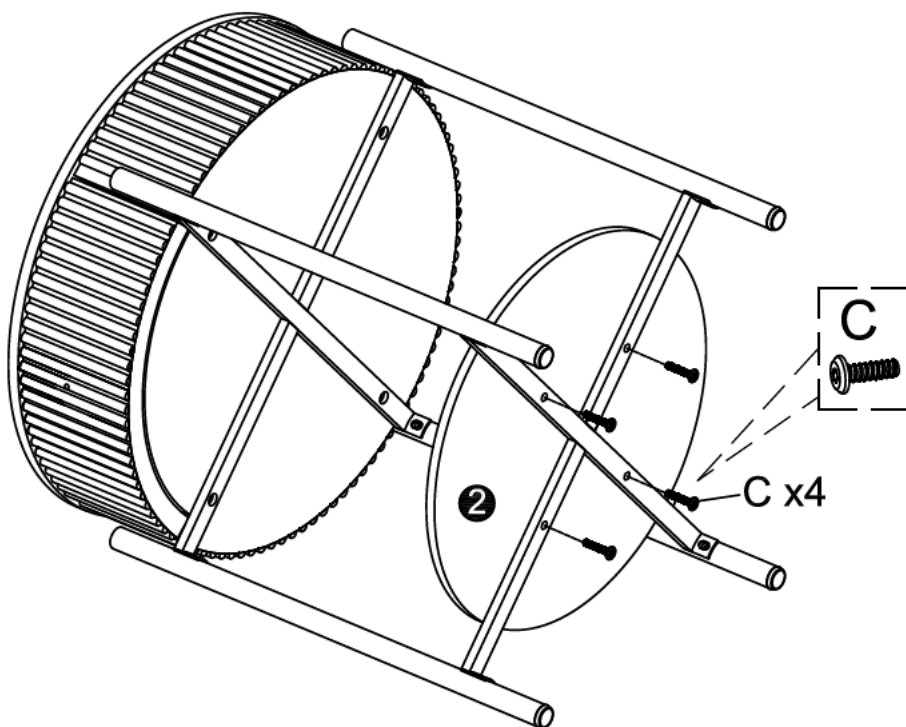


A	x1	B	x8
M4		M6x12mm	

2

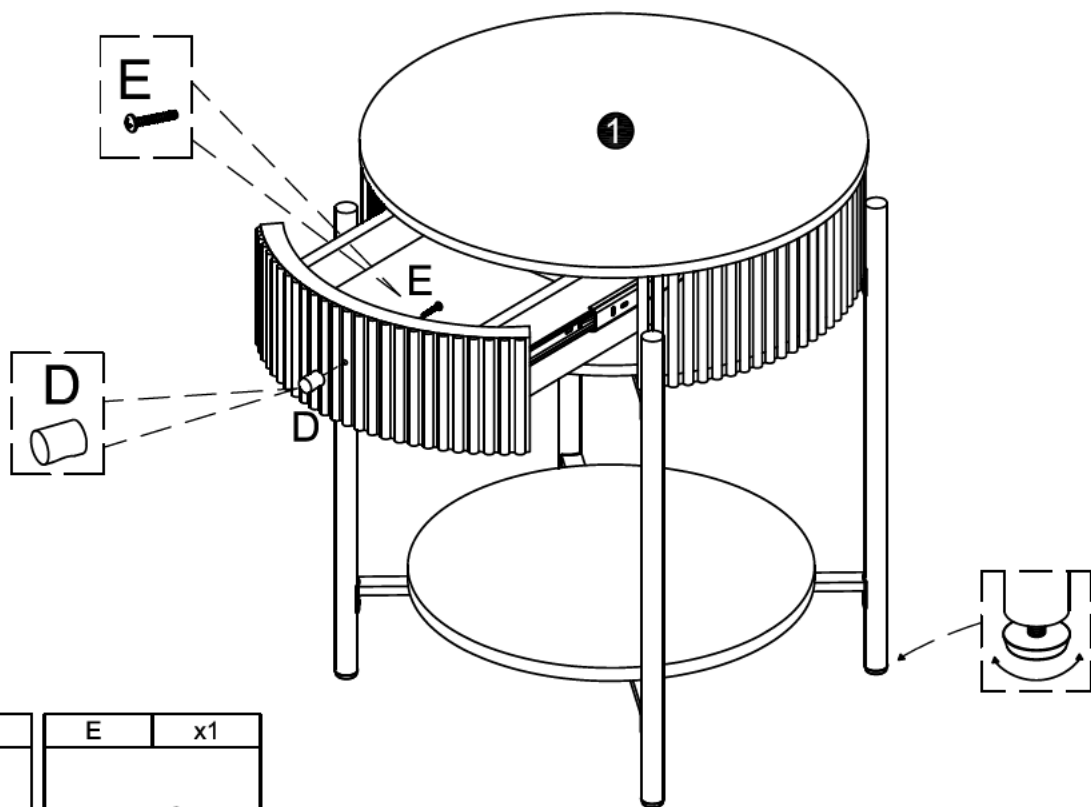


Please adjust all parts to the optimal position and tighten all screws



C	x4
M6x18mm	

3



D	x1	E	x1
		M4x25mm	

4

