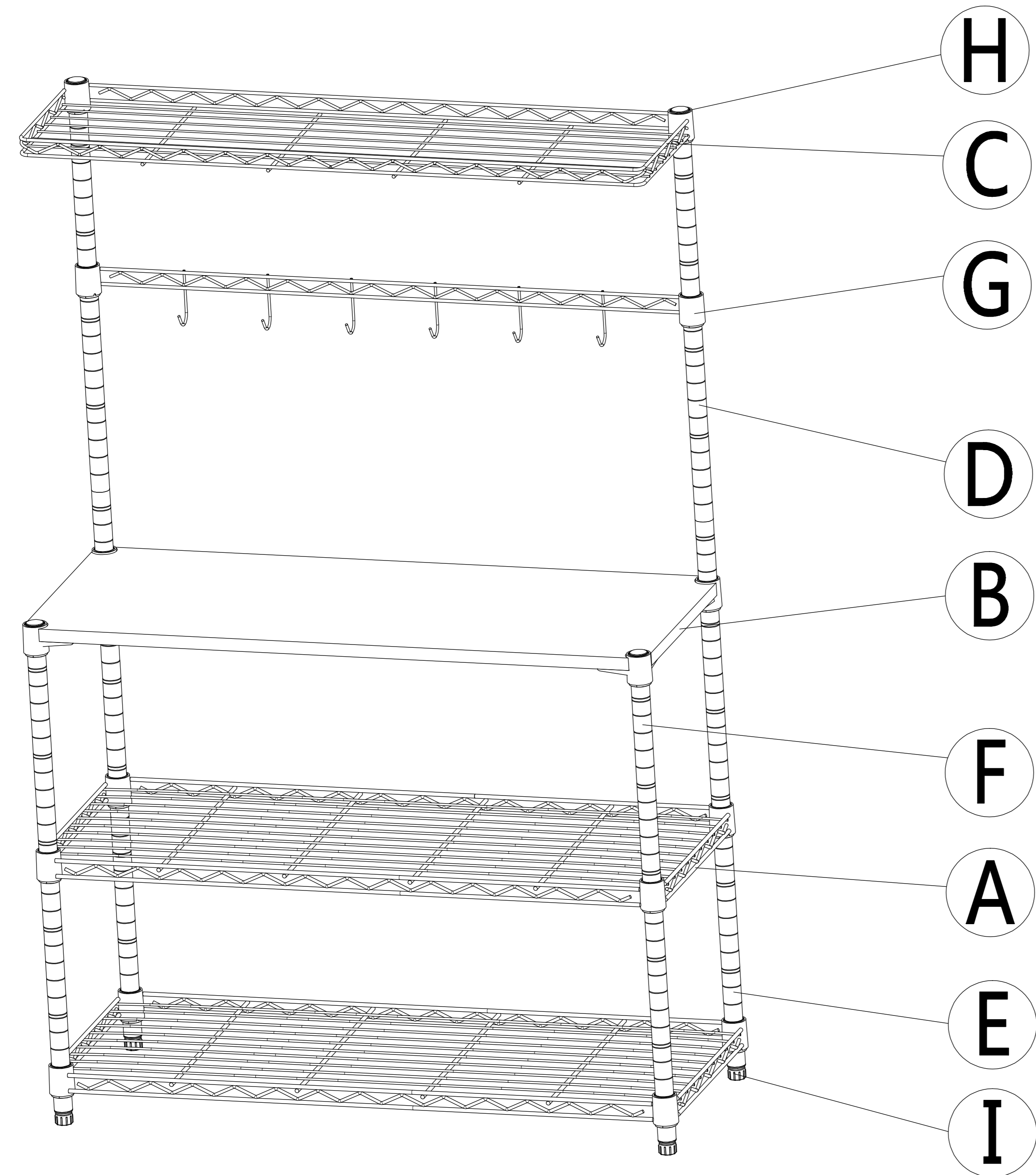
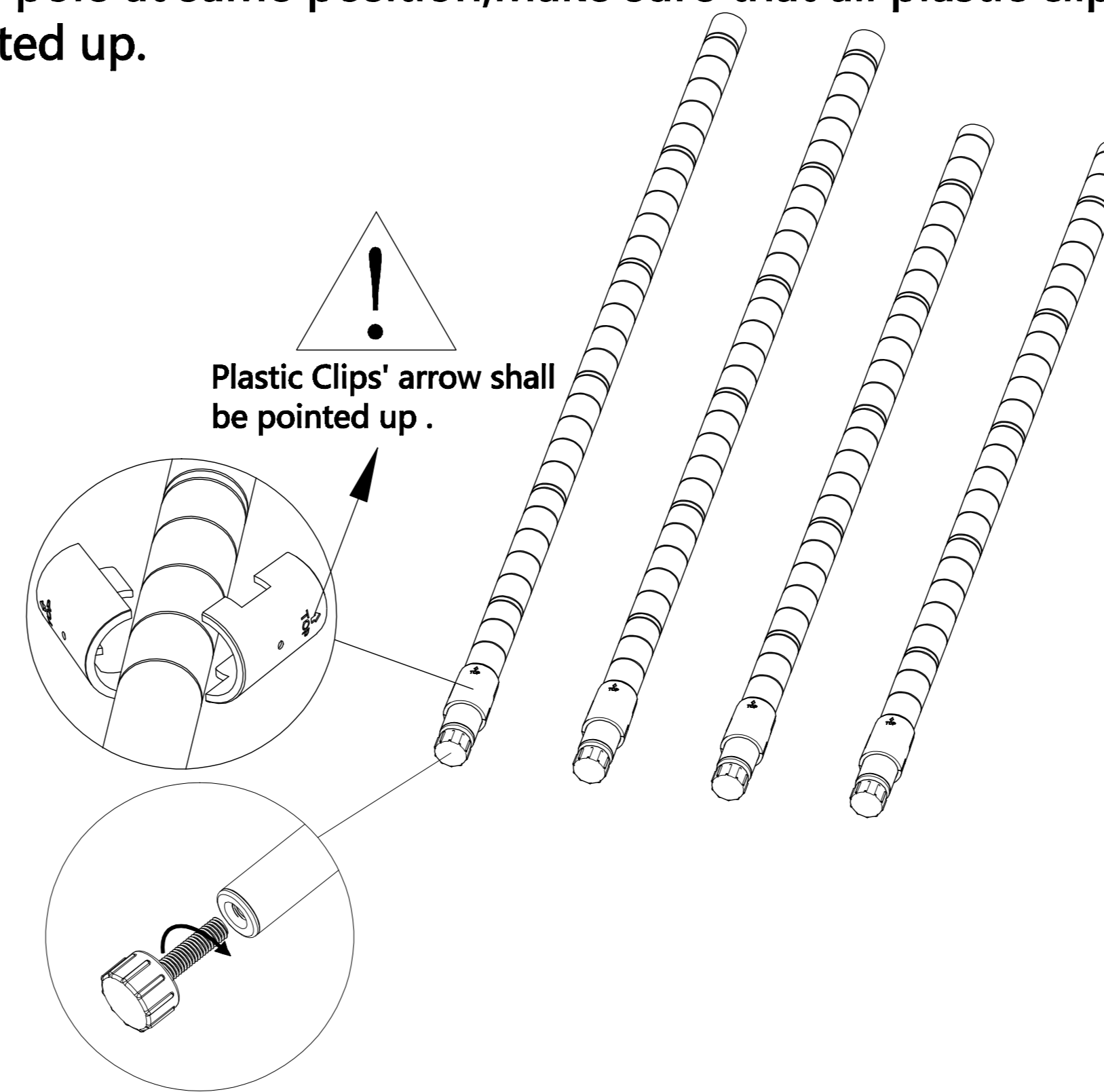


RACK INSTRUCTION

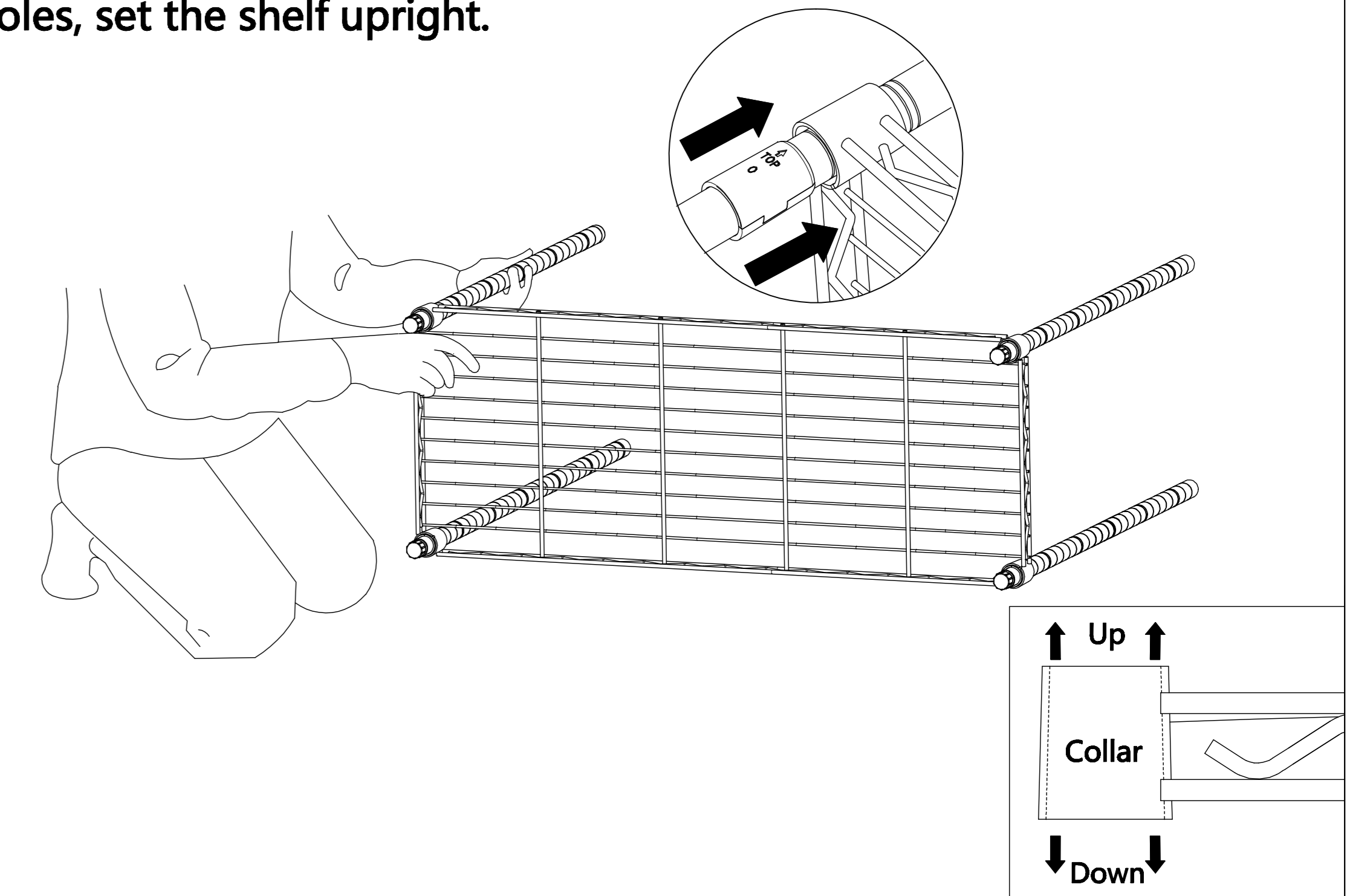
Assembly Steps:



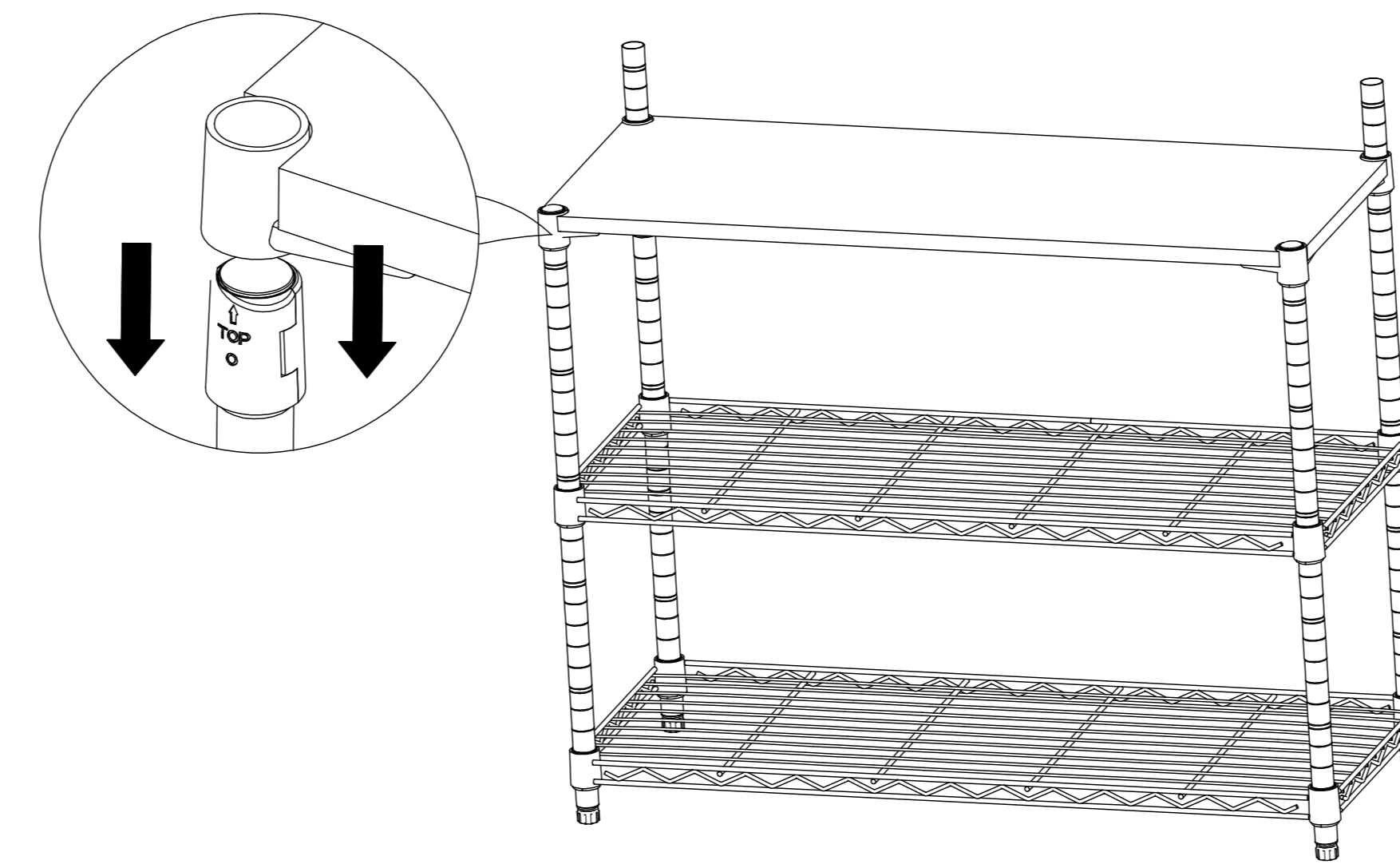
① Screw the Adjustable Feet (I) into the bottom of each Lower Pole(E) and One-Piece Pole(F),then snap Plastic Clips(H) into the grooves of each pole at same position,make sure that all plastic clips arrow are pointed up.



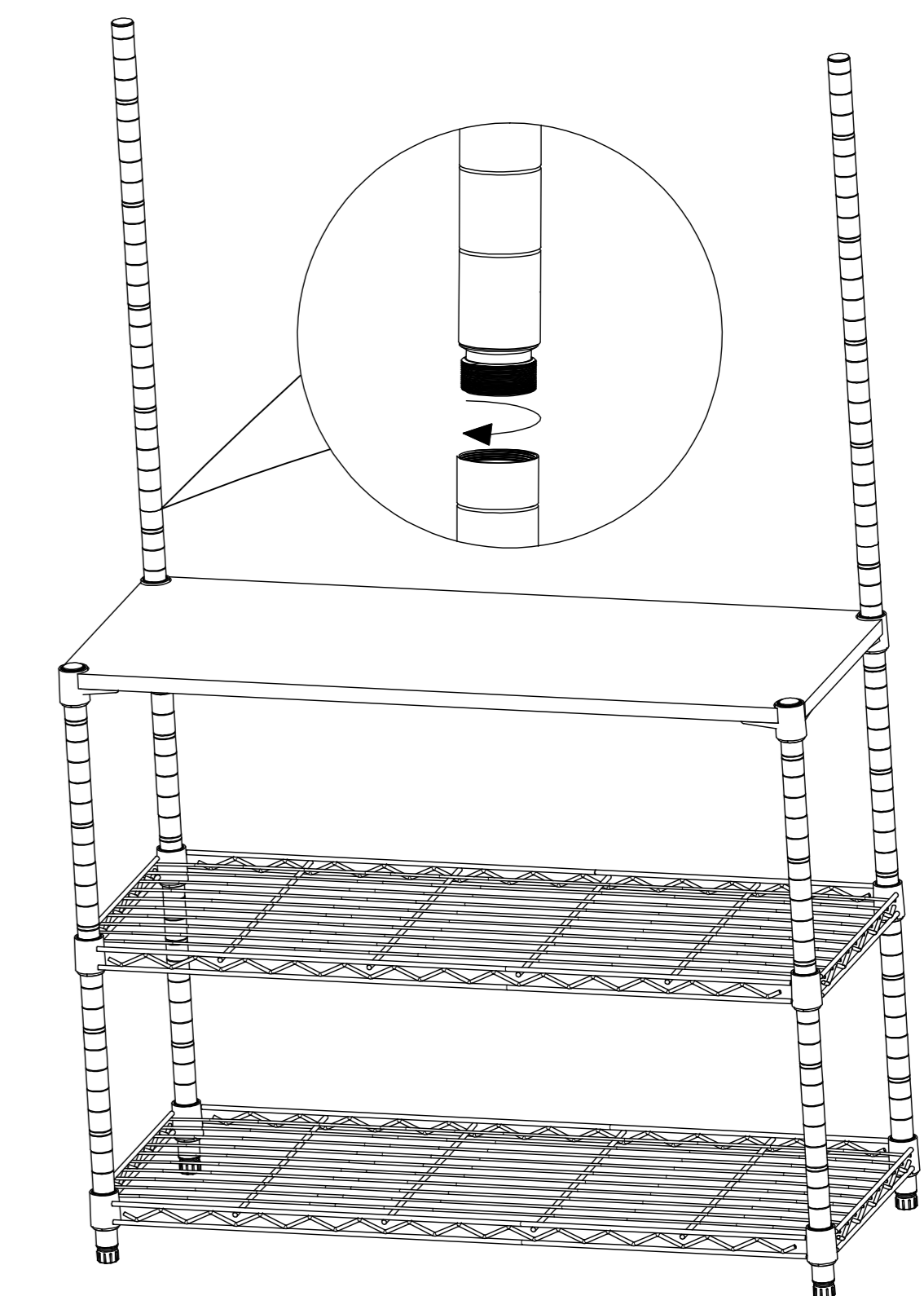
② Please make sure that you have the Wire Shelf (A) the correct way up . Hold the shelf on its side and slide the top of lower poles and one-section poles through the bottom of each shelf at its corners until there is snug fit . After 4 poles have been slid through the shelf collar holes, set the shelf upright.



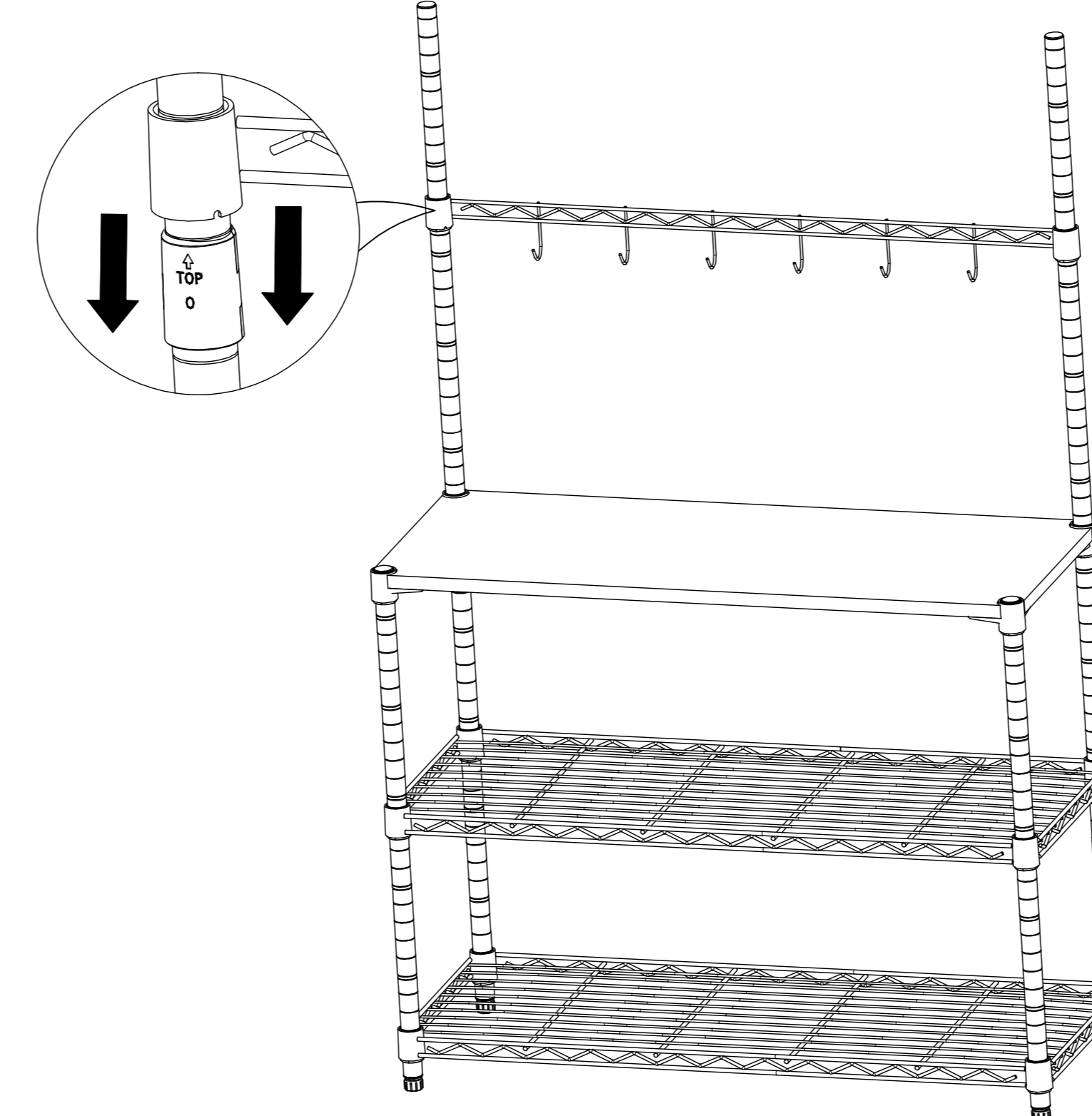
③ Snap plastic clips into the poles grooves at your desired position for next wire shelf and MDF Wooden Board(B) , and slide down the shelf onto the plastic clips.



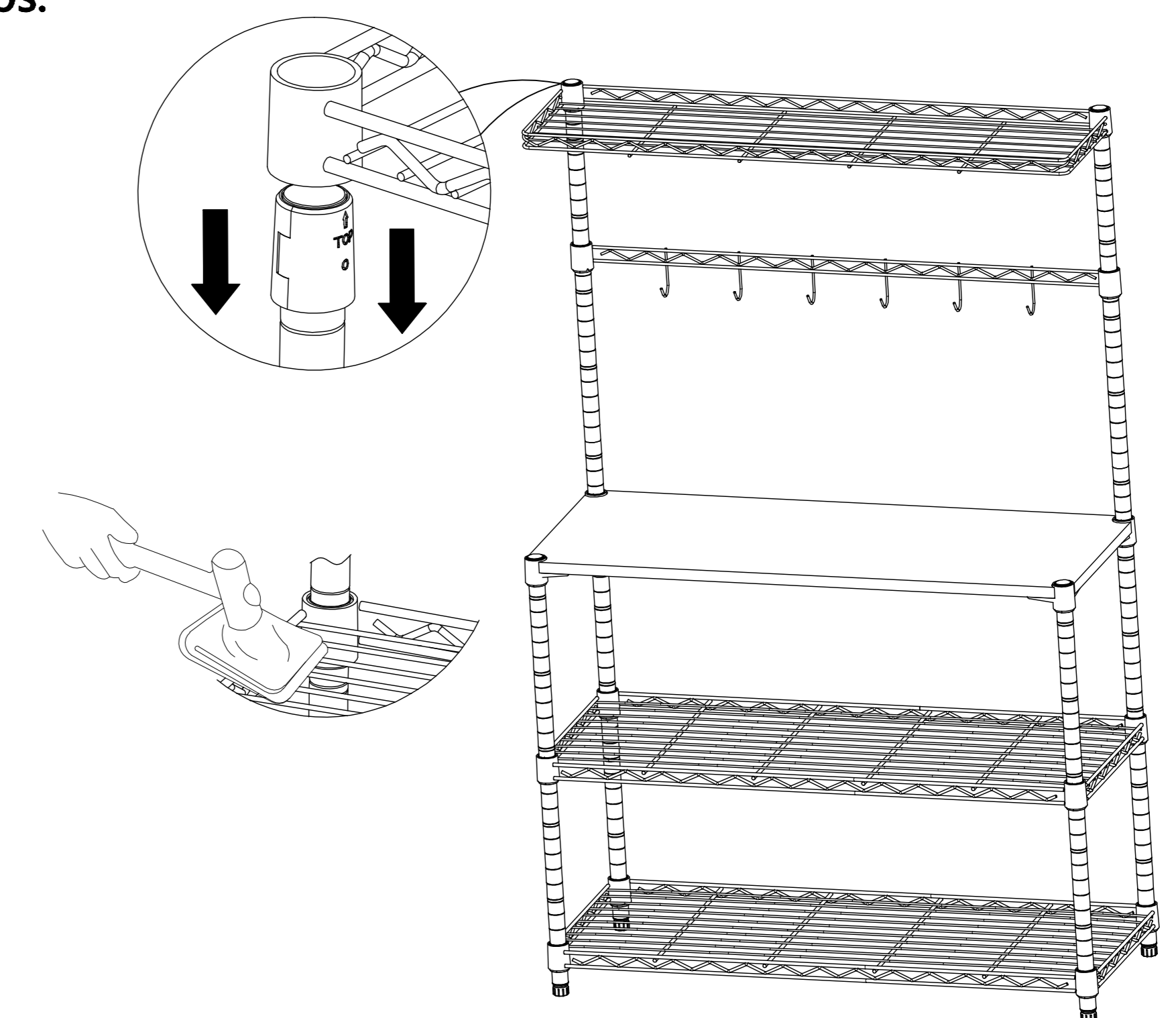
④ Screw Upper Poles(D)into lower poles by screw connectors which is already assembled on the upper poles.



⑤ Snap plastic clips into the upper poles grooves at your desired position for Support Rail with Hooks (G). And slide down the support rail onto the plastic clips.



⑥ After plastic clips is well fixed onto the top of upper poles , put down the Cantilever Wire Shelf (C).Pushing firmly down on every shelf at corners by rubber mallet to ensure the shelf in a place over the plastic clips.



No.	A	B	C	D	E	F	G	H	I
Name	Wire Shelf	MDF Wooden Board	Cantilever Wire Shelf	Upper Pole	Lower Pole	One-piece Pole	Support Rail with Hooks	Plastic Clip	Leveling Foot
Parts									
Quantity	2PCS	1PC	1PC	2PCS	2PCS	2PCS	1PC	32PCS	4PCS