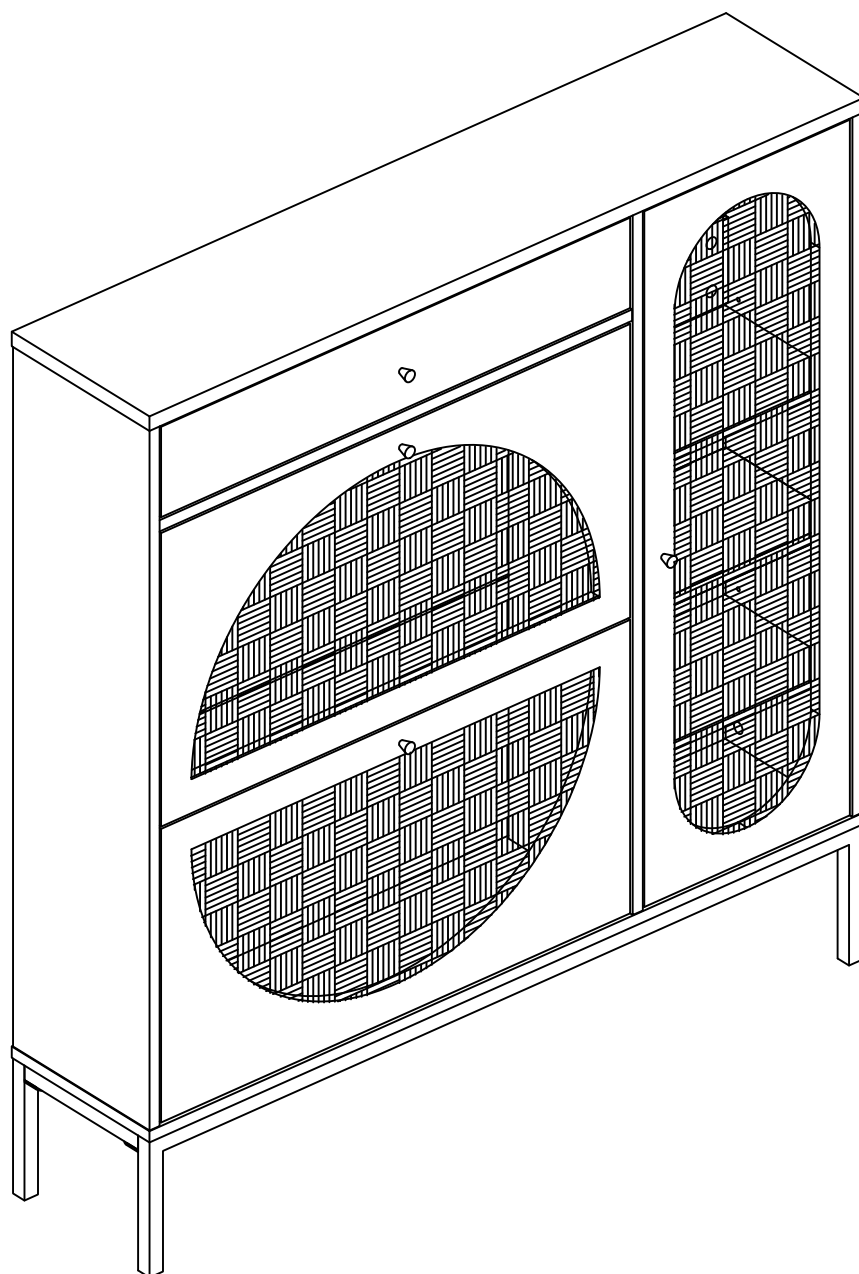


HSC-01 Shoe cabinet

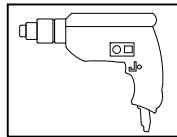
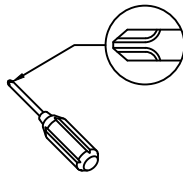
The assembly instructions

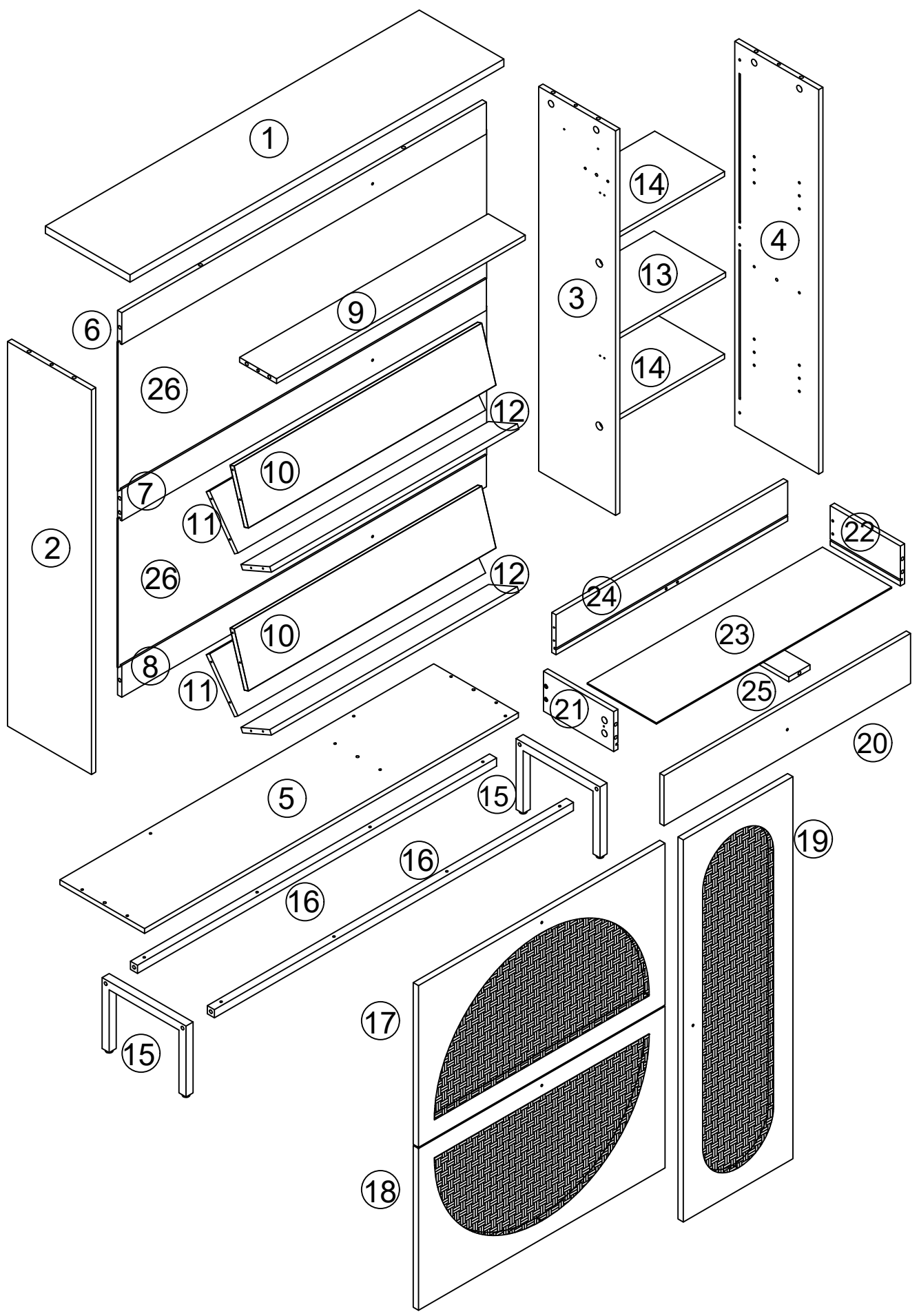


Thank you for purchasing our products, please read the instructions carefully before you assemble the product please do not hesitate to contact us if there is assembly problem, there will be someone to guide assembly.

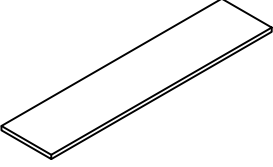
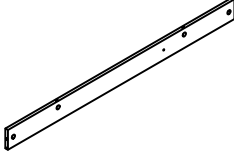
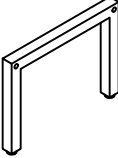
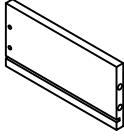
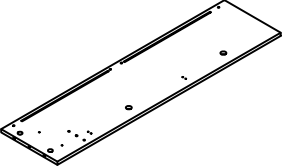
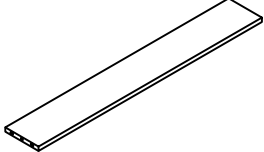
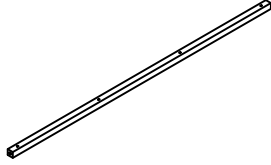
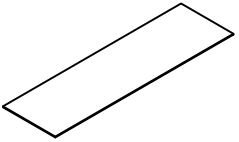
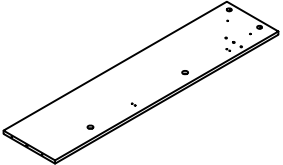
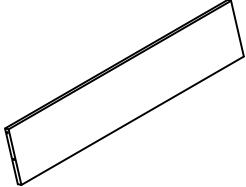
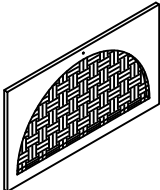
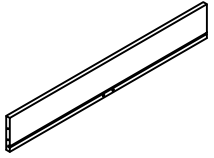
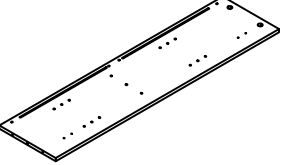
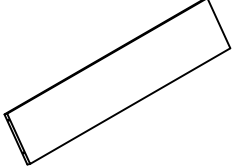
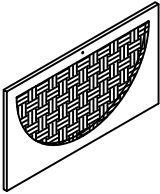
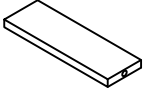
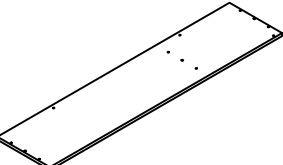
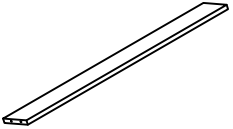
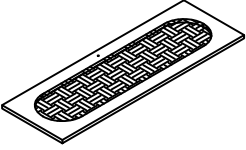
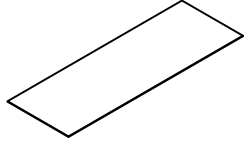
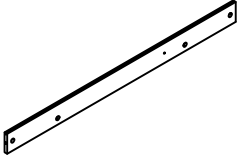
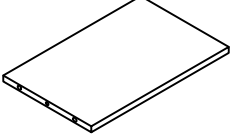
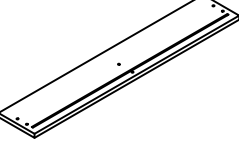
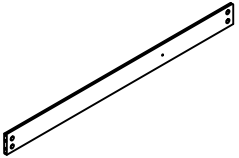
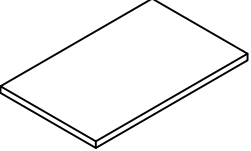
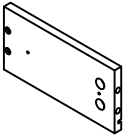
General Assembly Guidelines

- ① Check Parts First: Ensure all parts and hardware are present before beginning assembly.
- ② Follow Instructions Carefully: Follow each step in sequence for proper assembly.
- ③ Two-Person Recommendation: Two people are recommended for easier assembly.
- ④ Hardware Types: The three main types of hardware used are: wood dowels, screws, and bolts.
- ⑤ Required Tool: A Phillips head screwdriver is required for assembly.

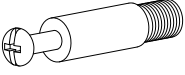

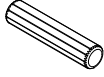
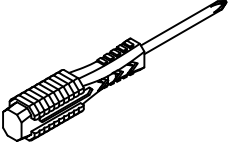

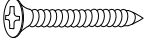
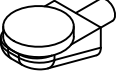
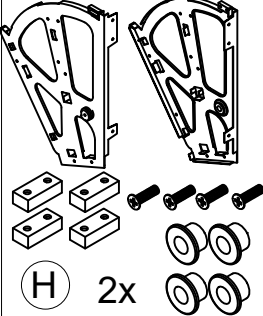
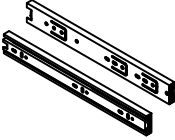

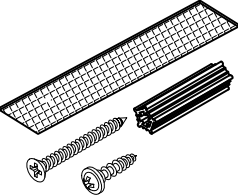




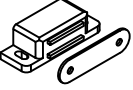
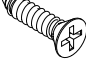




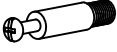




Components

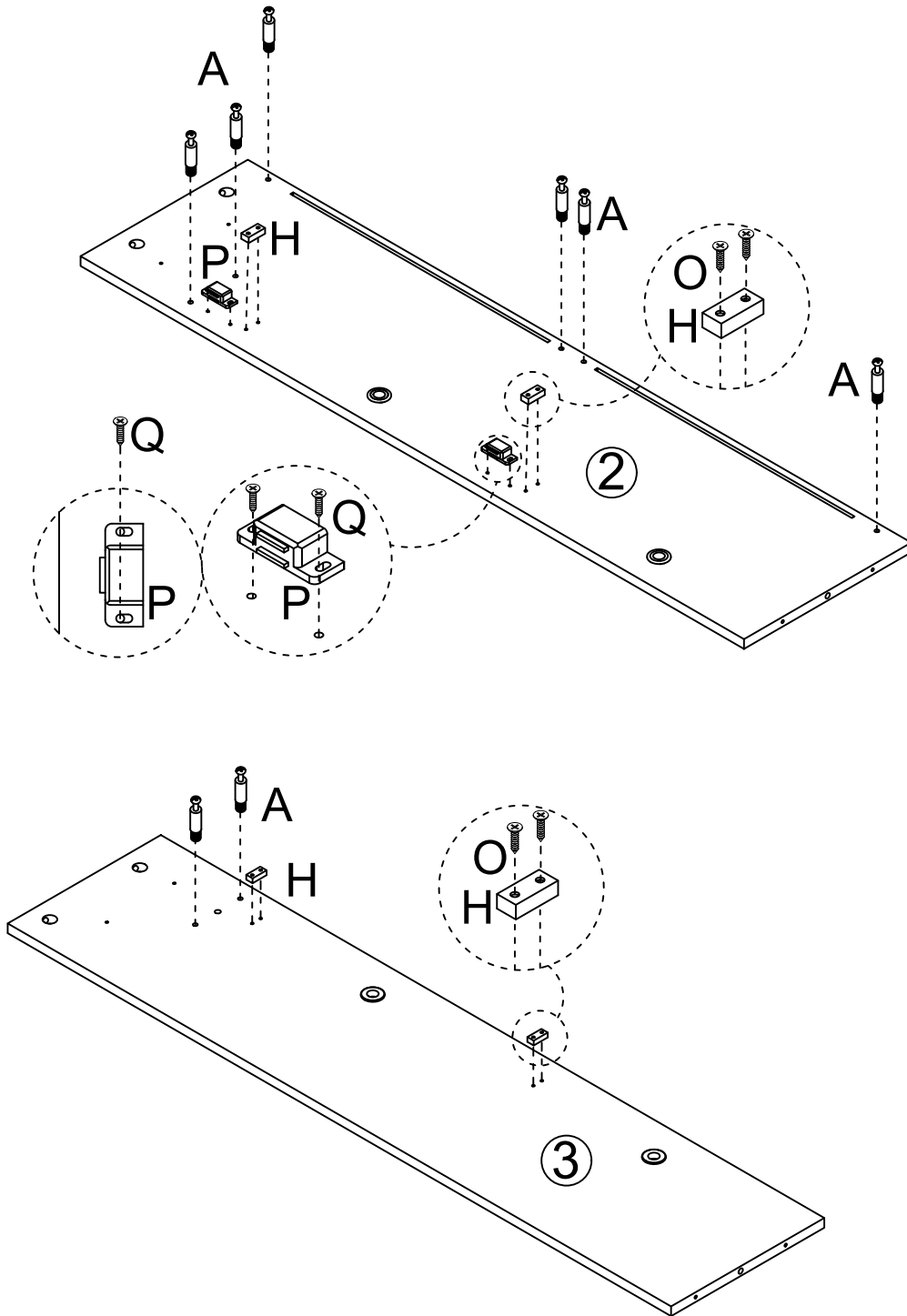
 ① x1	 ⑧ x1	 ⑮ x2	 ⑳ x1
 ② x1	 ⑨ x1	 ⑯ x2	 ㉓ x1
 ③ x1	 ⑩ x2	 ⑰ x1	 ㉔ x1
 ④ x1	 ⑪ x2	 ⑱ x1	 ㉕ x1
 ⑤ x1	 ⑫ x2	 ⑲ x1	 ㉖ x2
 ⑥ x1	 ⑬ x1	 ㉗ x1	
 ⑦ x1	 ⑭ x2	 ㉘ x1	

HARDWARE PACK CONTENT



 A 31x+1	 B 31x+1	<p>Ø6x30MM</p>  C 10x	 D 1x	<p>Ø3.5*12</p>  E 36x+2
<p>Ø4*30</p>  F 35x+2	 G 8x	 H 2x	<p>8"</p>  I 1x	 J 8x
 K 2x	<p>M4*20</p>  L 4x	 M 2x	<p>M6*30</p>  N 12x	<p>Ø3.5*18</p>  O 8x
 P 4x	<p>Ø3*15</p>  Q 8x			

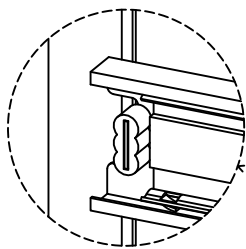
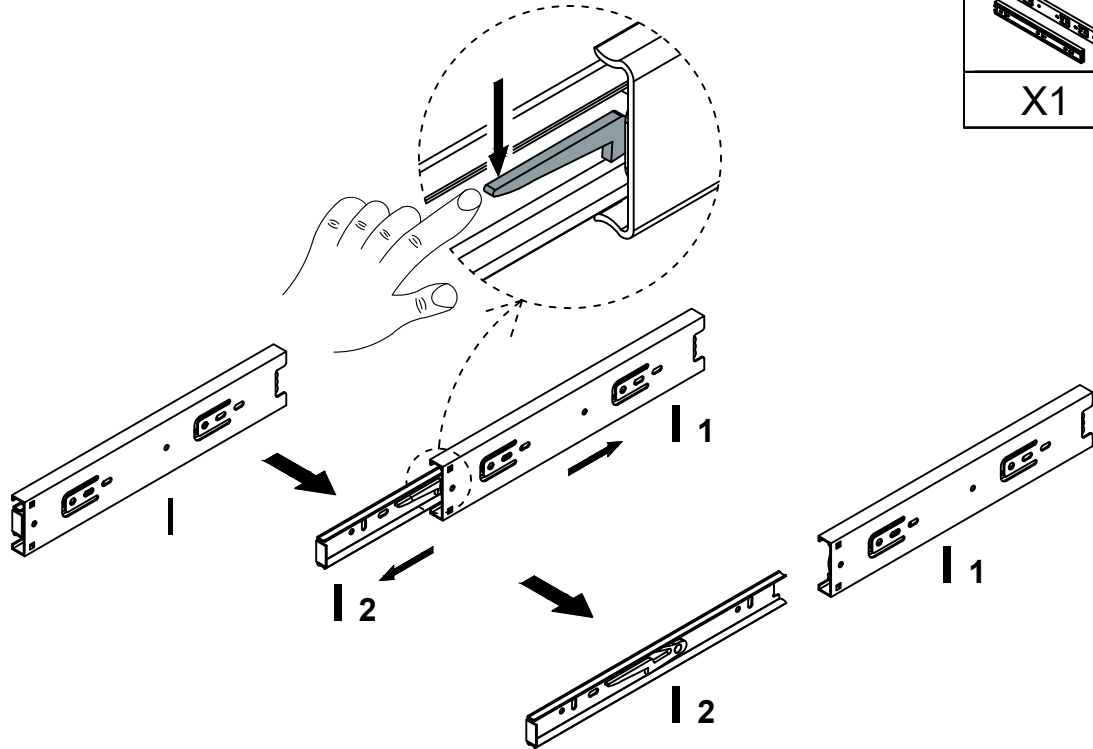
Step 1

A	H	O	P	Q
				
X8	X2	X8	X2	X4

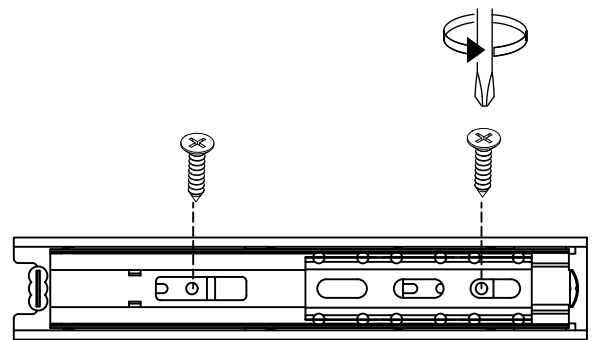
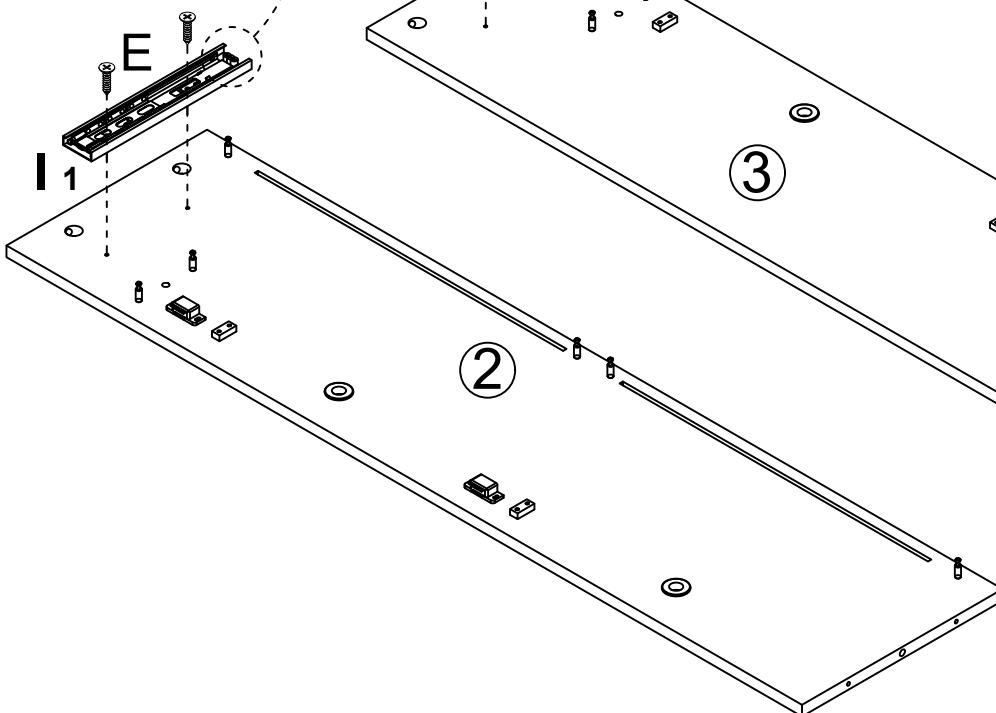


Step 2

I	E
	
X1	X4





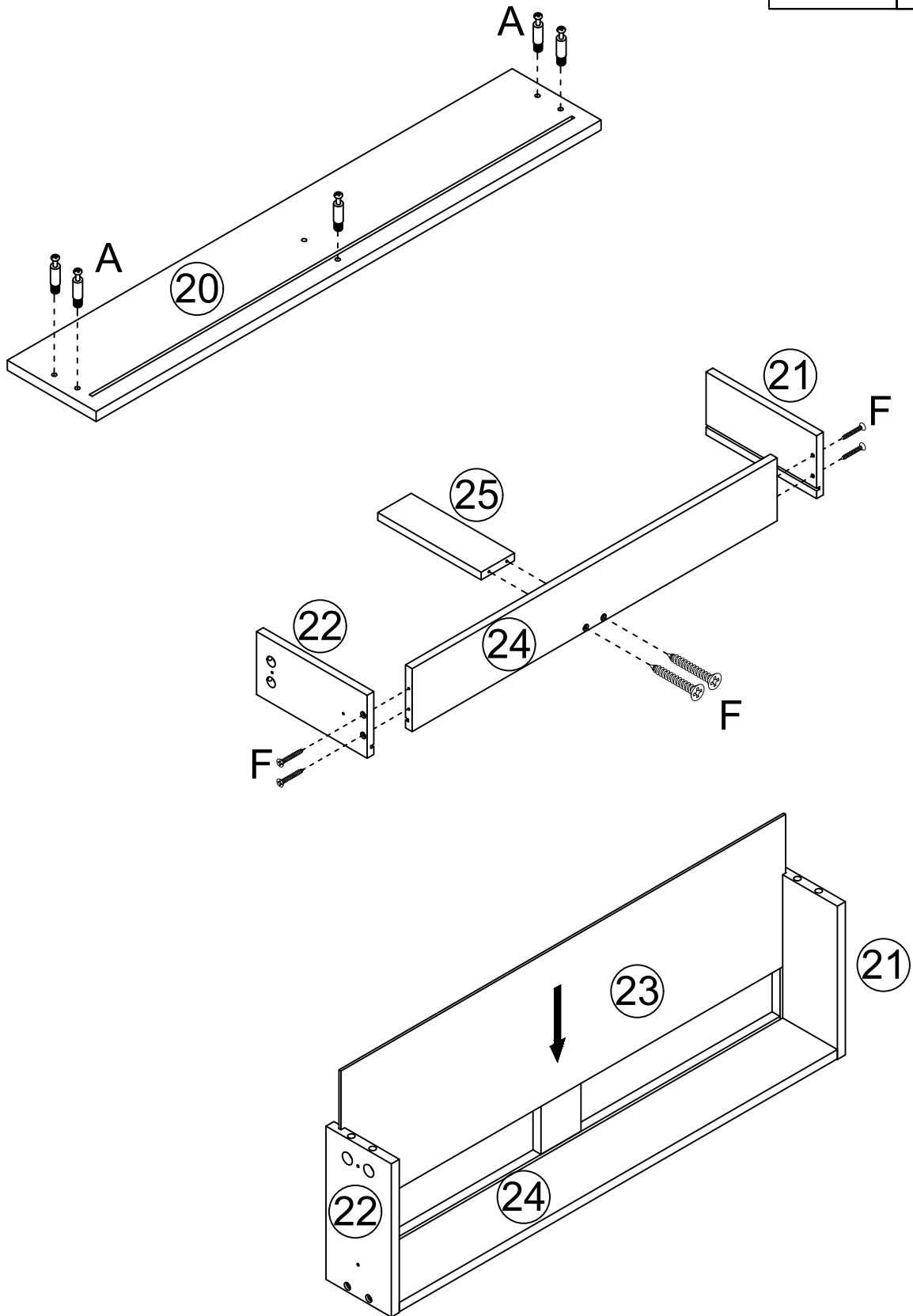
I₁ Back:




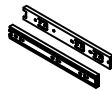


I₁ Back:

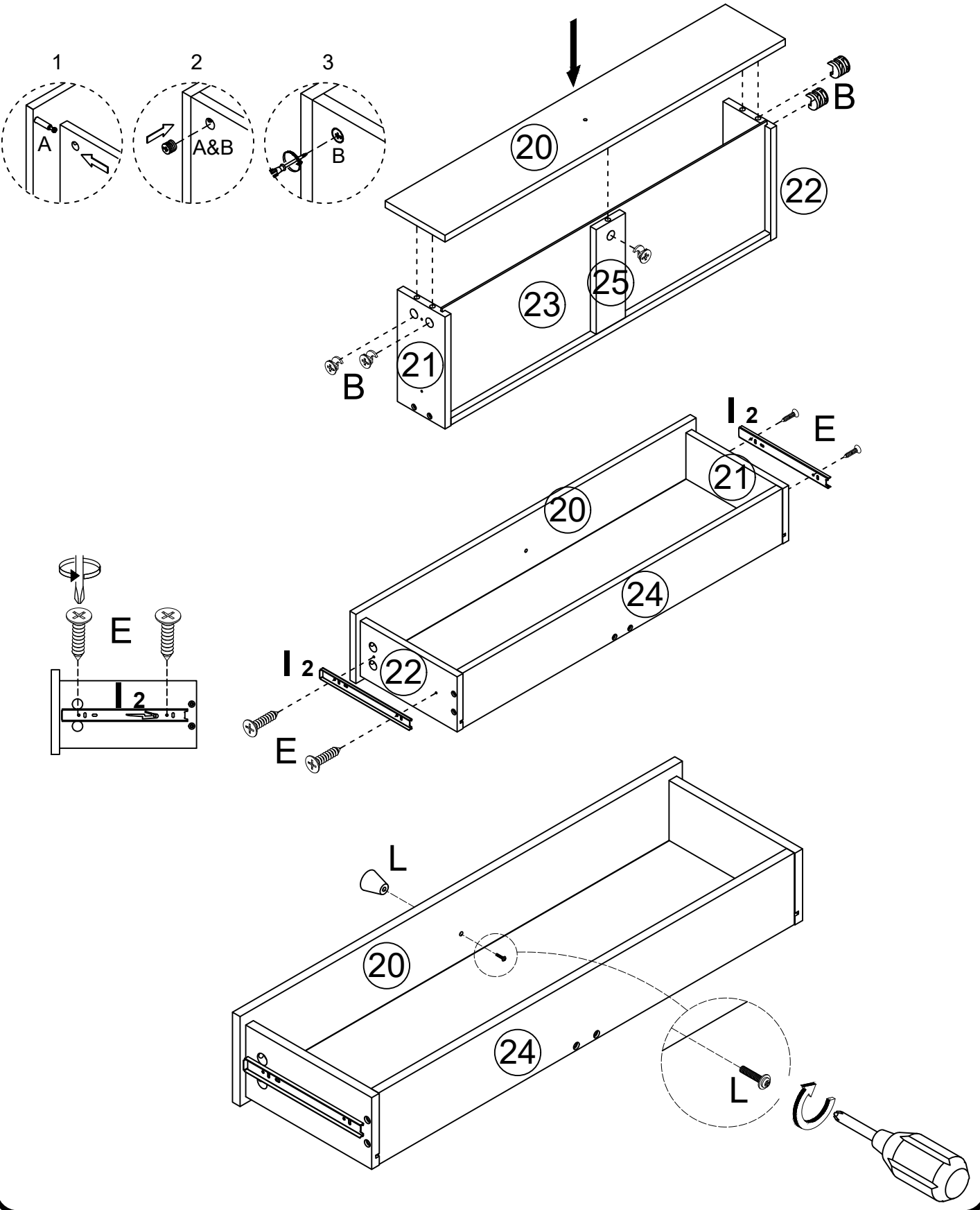
Step 3

A	F
	
X5	X6

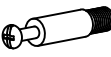


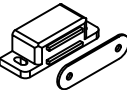



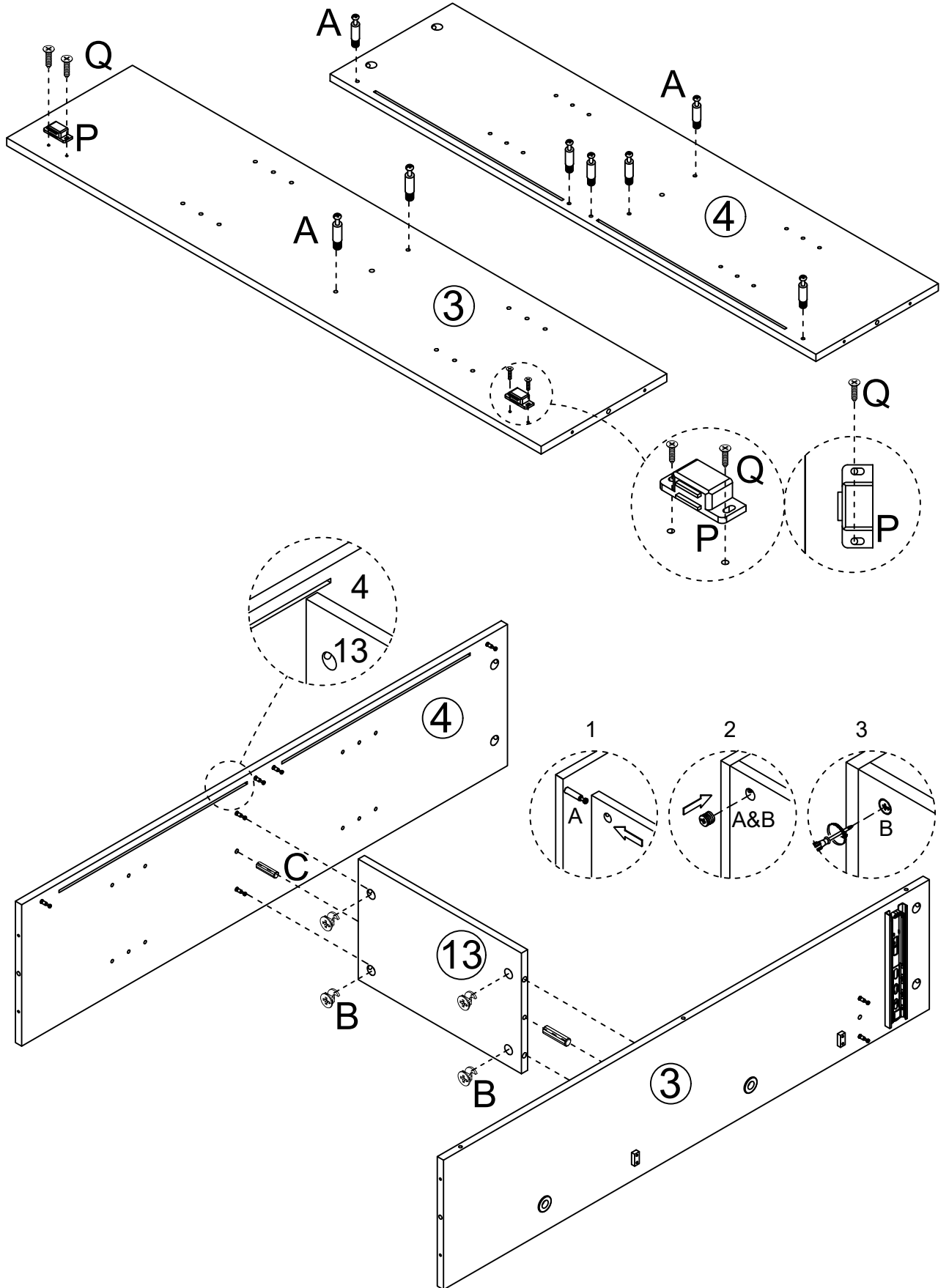
Step 4

B	I	E	L
			
X5	X1	X4	X1





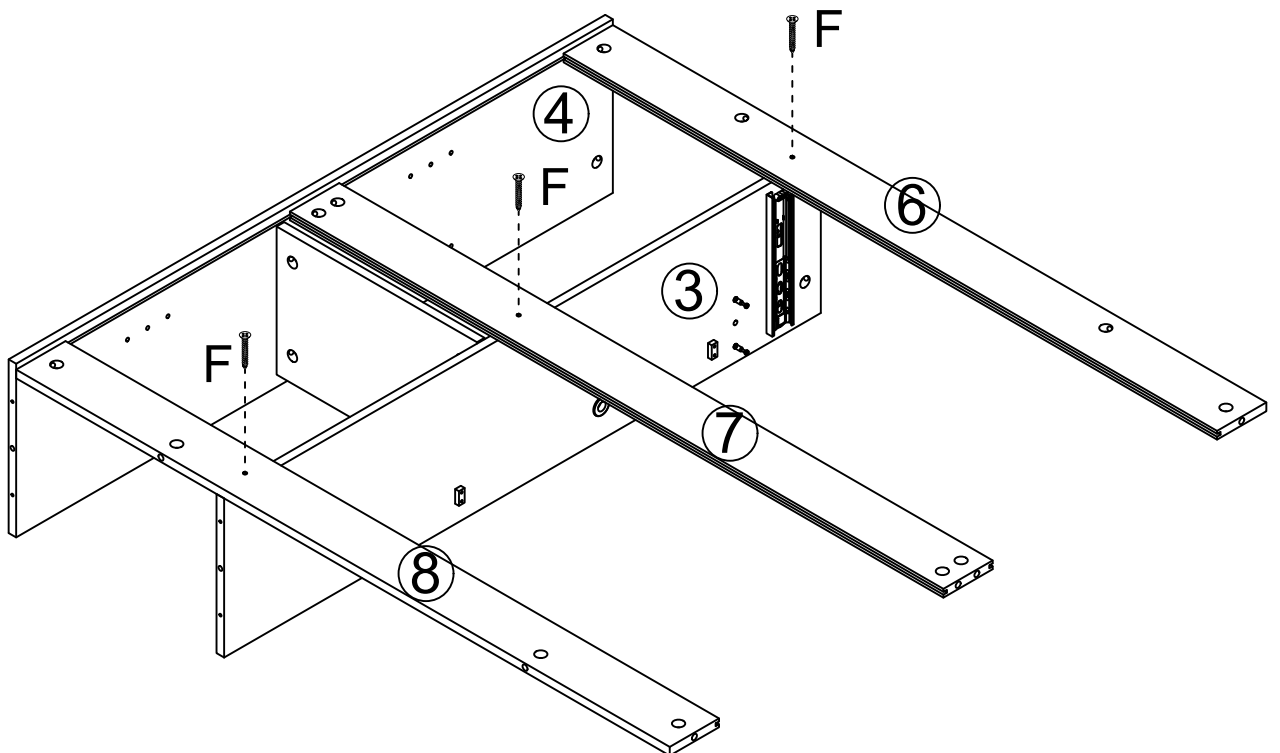
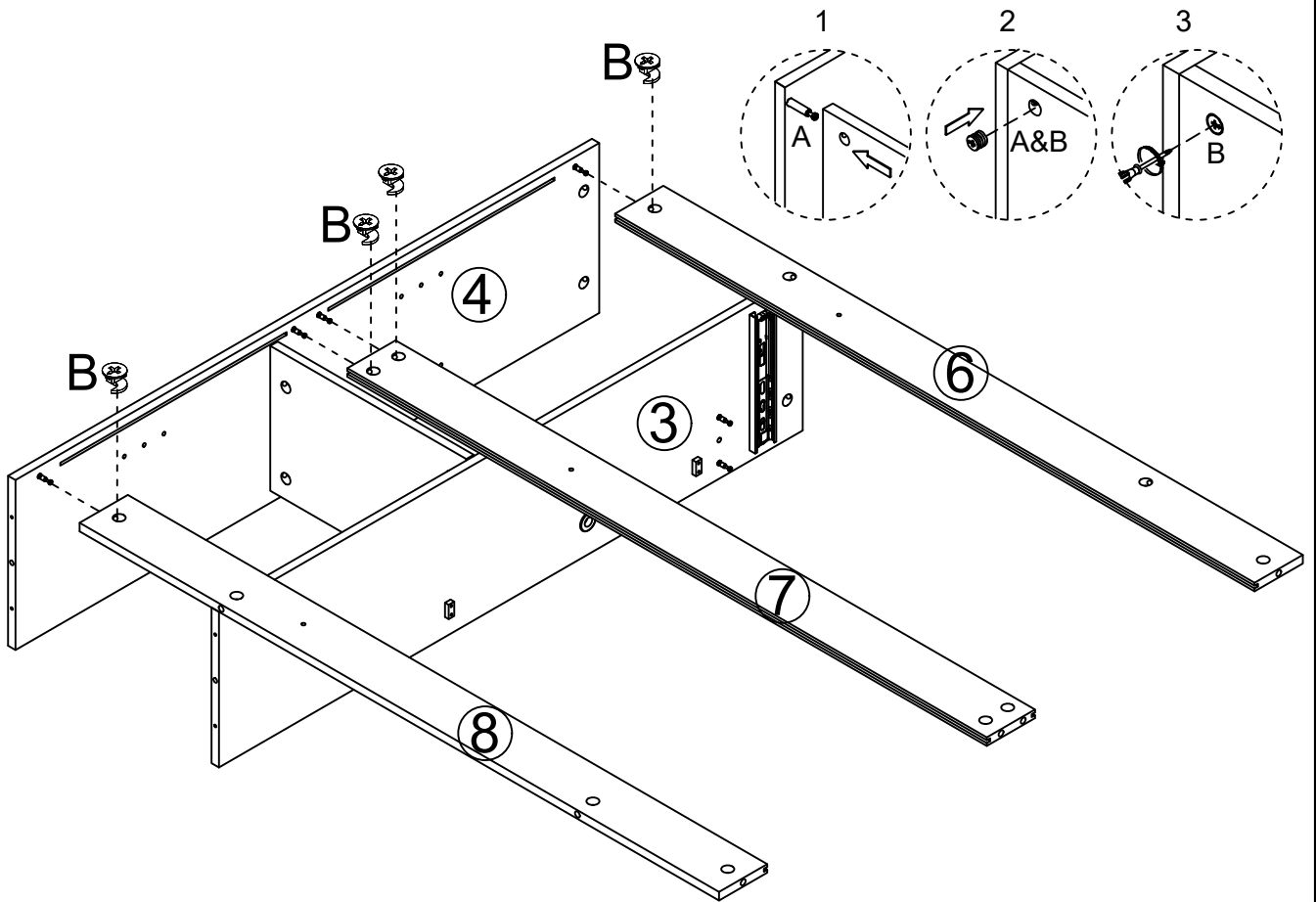
Step 5

A	B	C	P	Q
				
X8	X4	X2	X2	X4





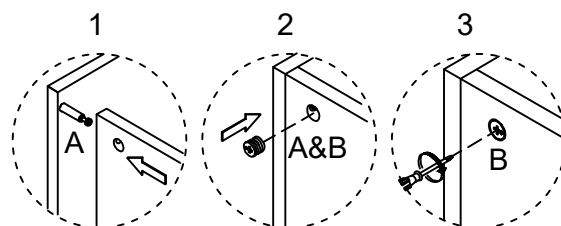
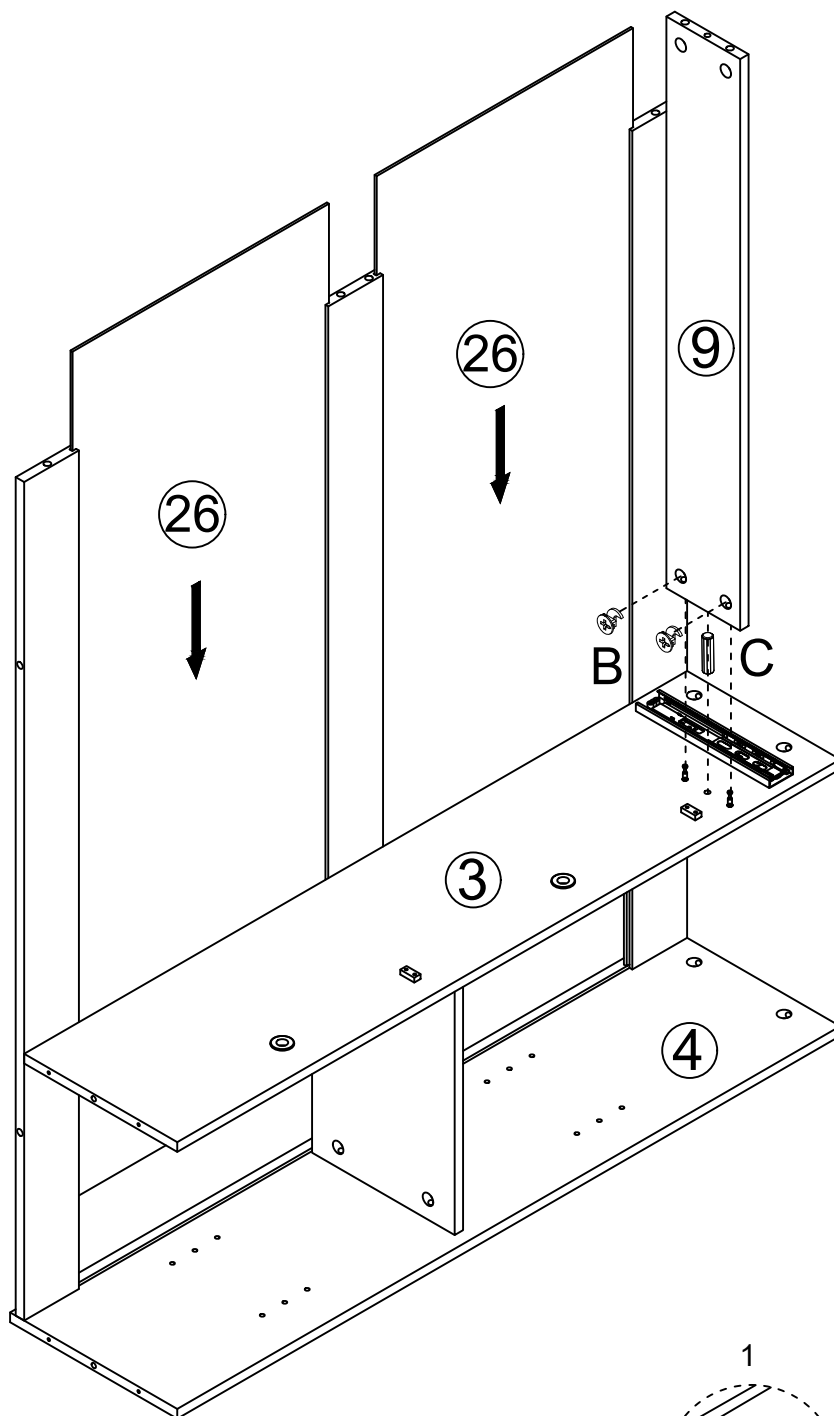
Step 6

B	F
	
X4	X3





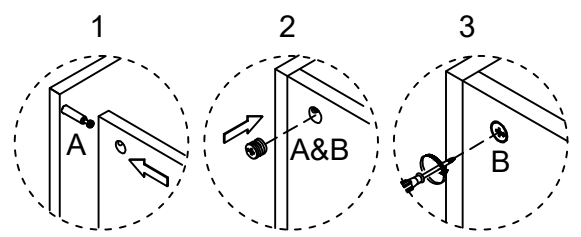
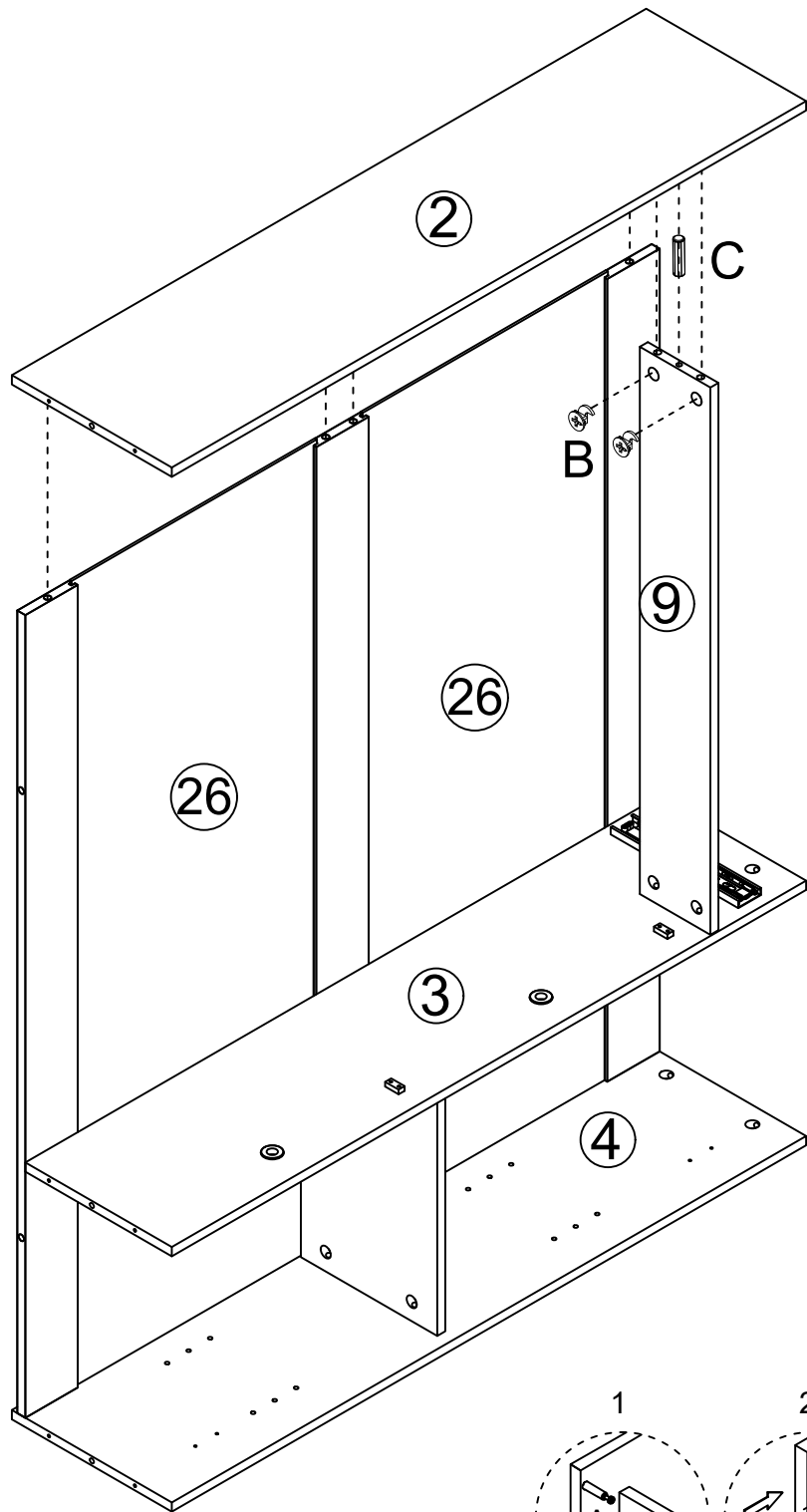
Step 7

B	C
	
X2	X1




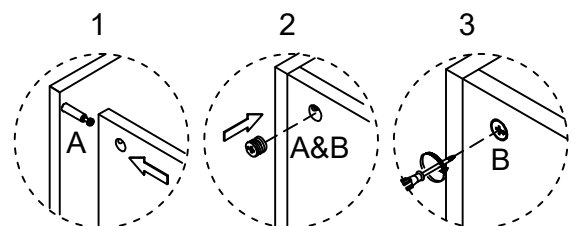
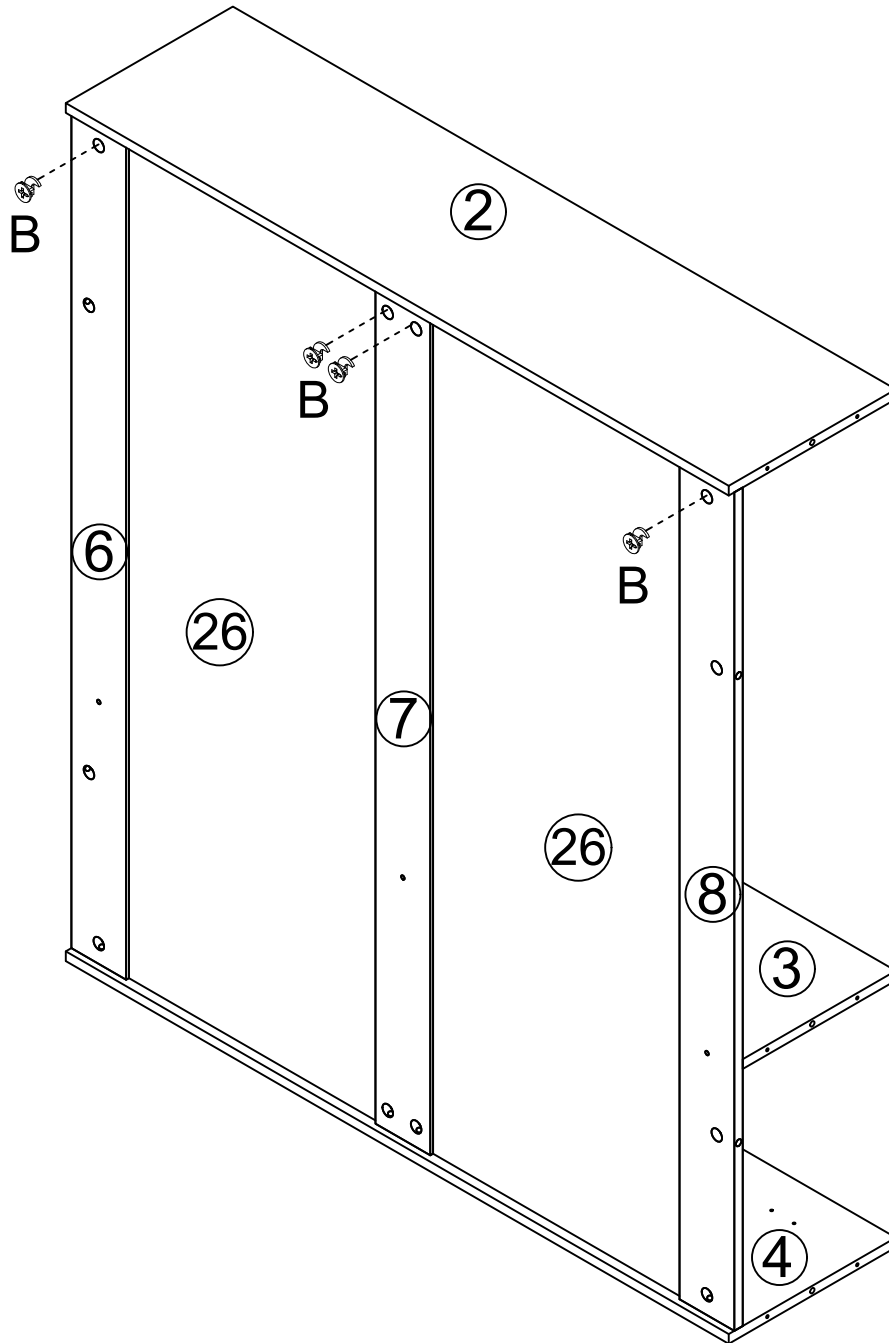
Step 8

B	C
	
X2	X1






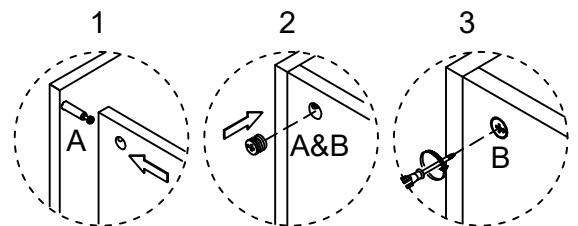
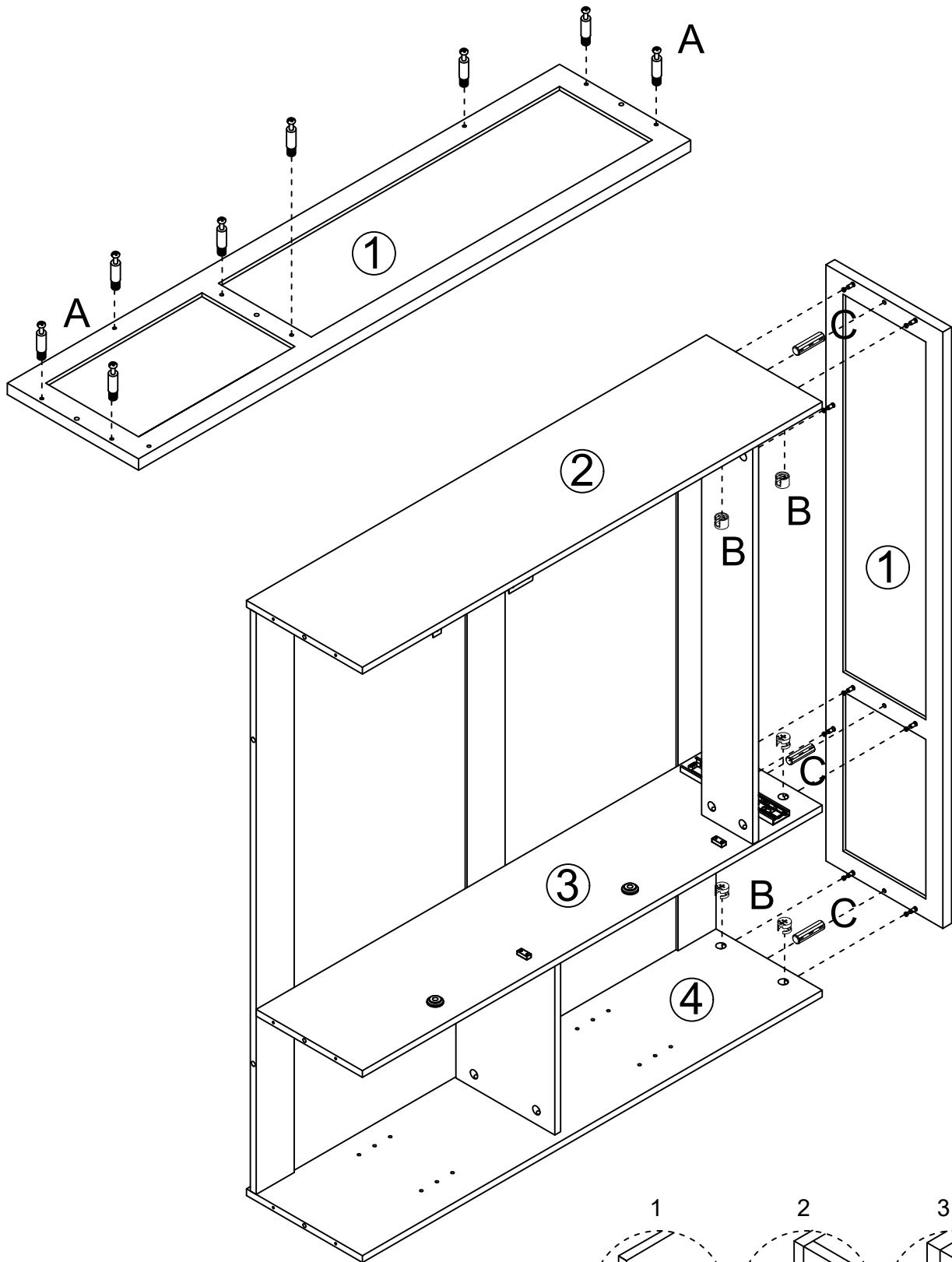
Step 9

B

X4

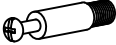




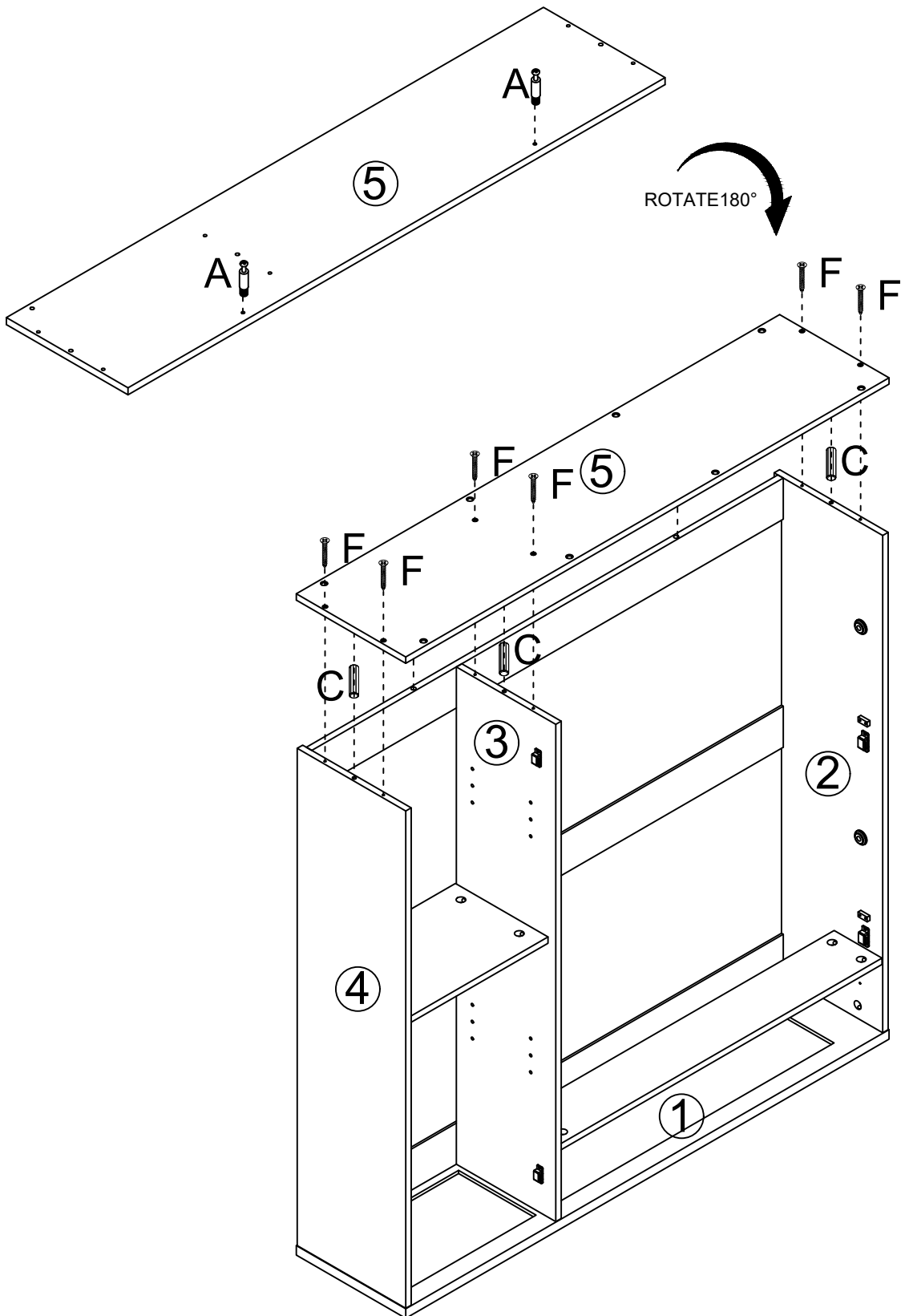
Step 10

A	B	C
		
X8	X6	X3




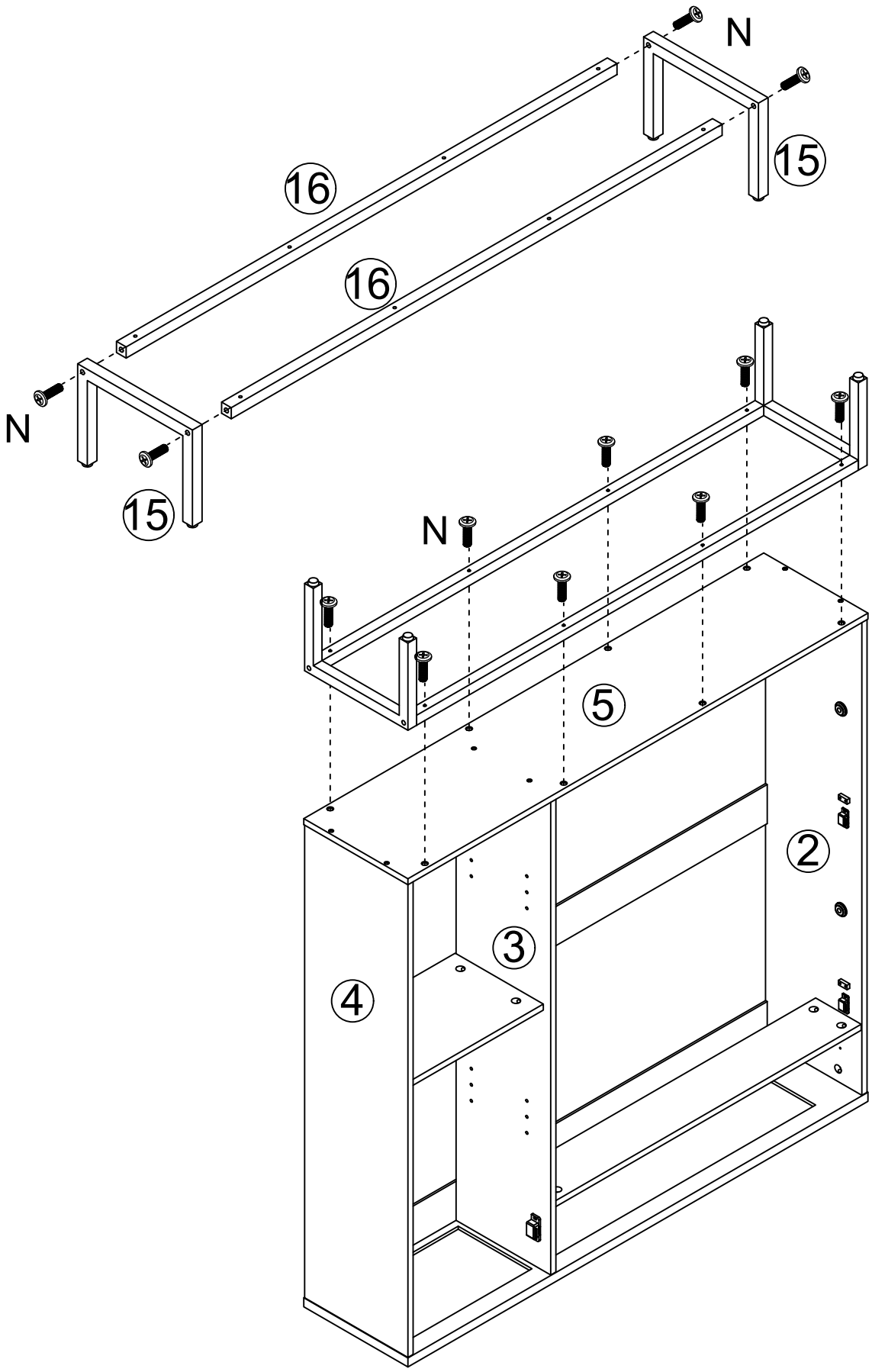
Step 11

A	C	F
		
X2	X3	X6







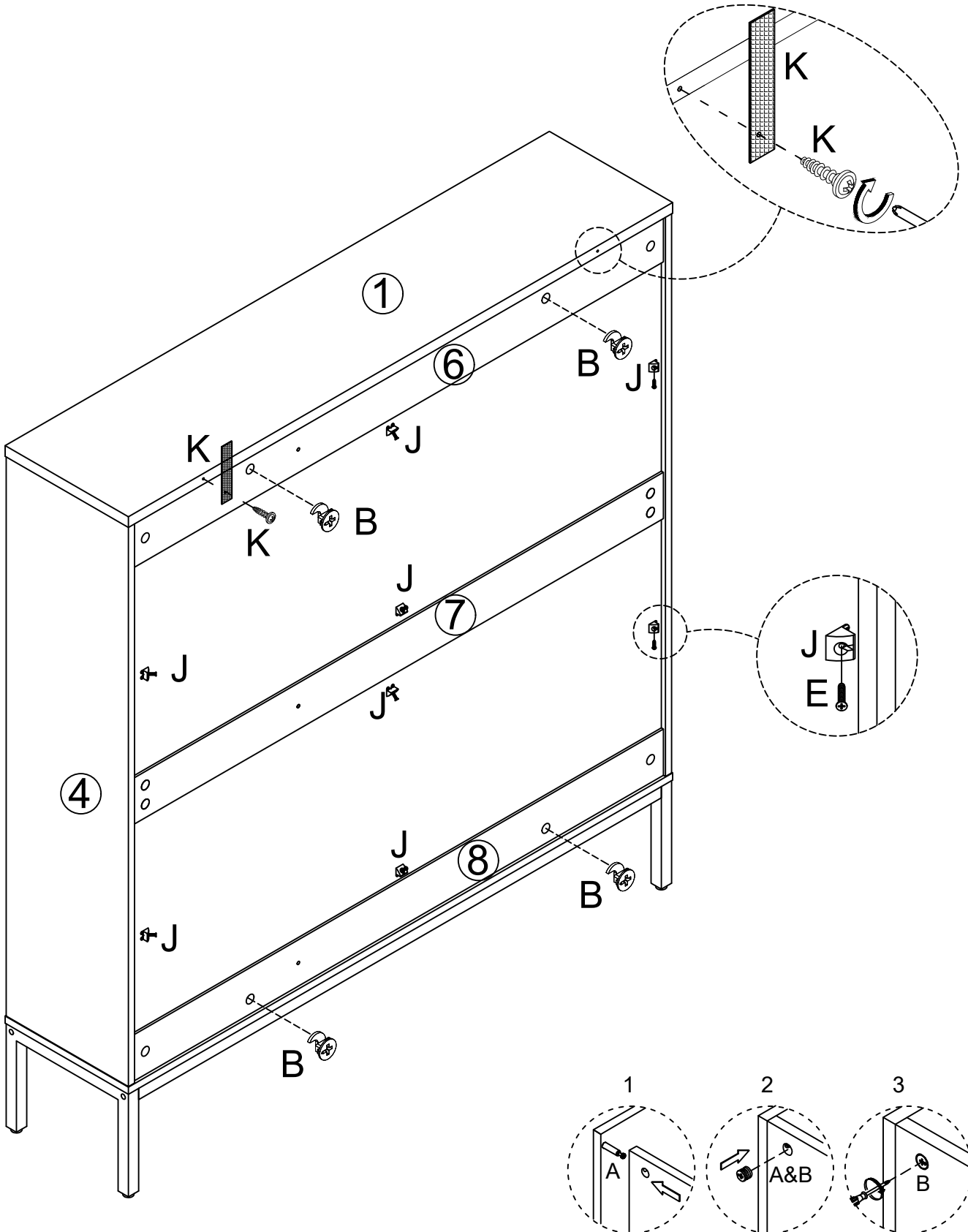
Step 12

N

X12







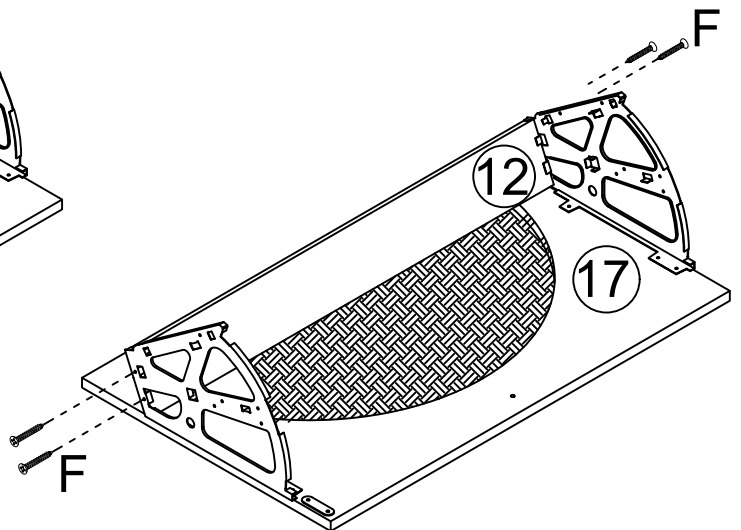
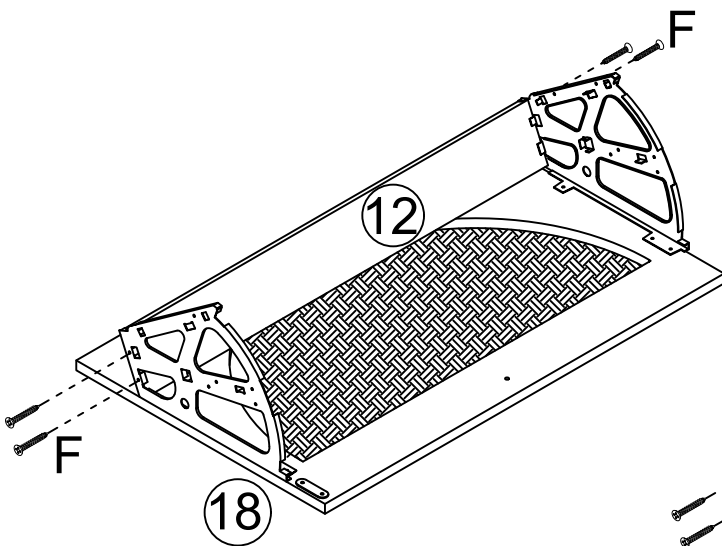
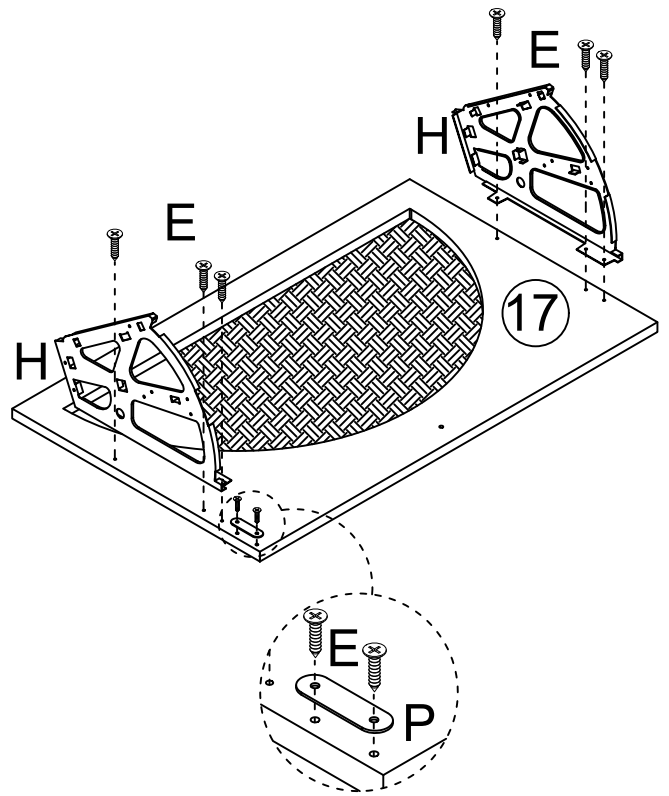
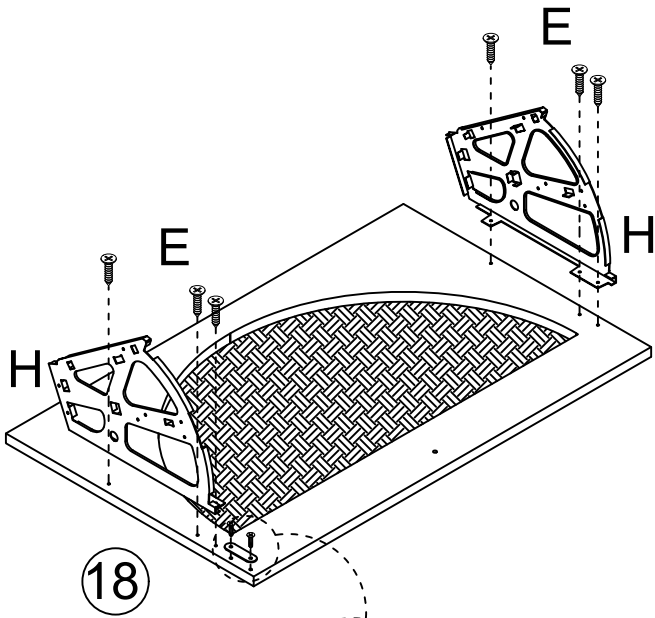
Step 13

B	E	J	K
			
X4	X8	X8	X2





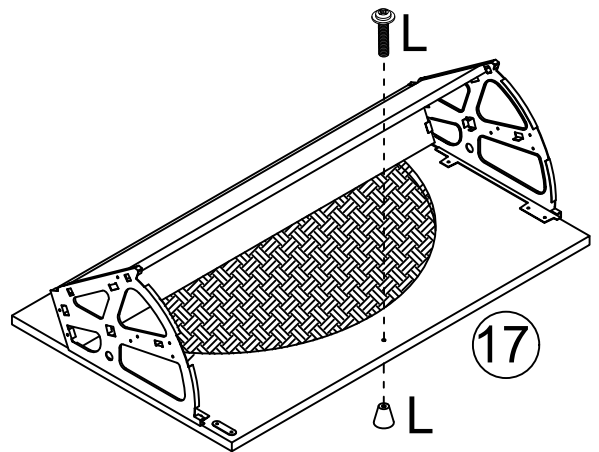
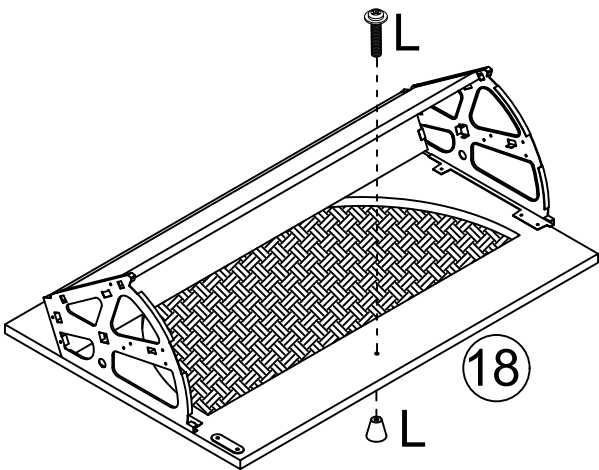
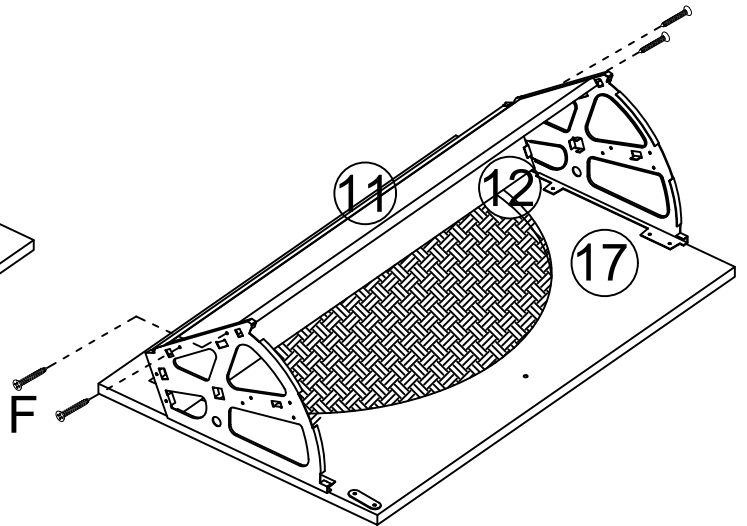
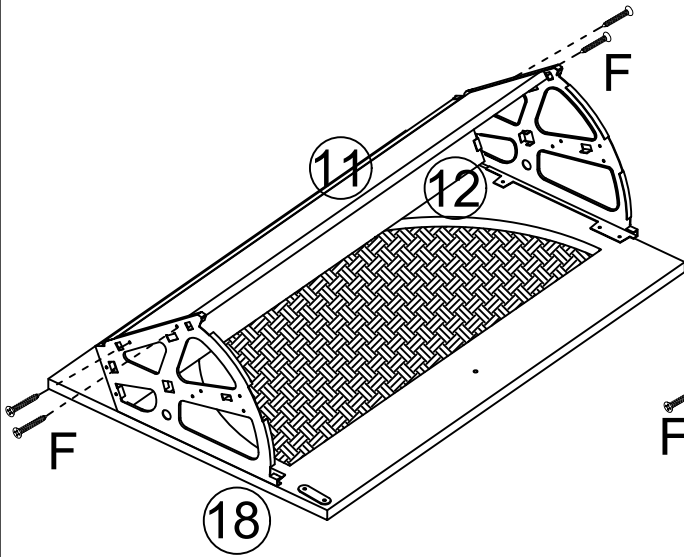
Step 14

E	F	H	P
			
X16	X8	X2	X2




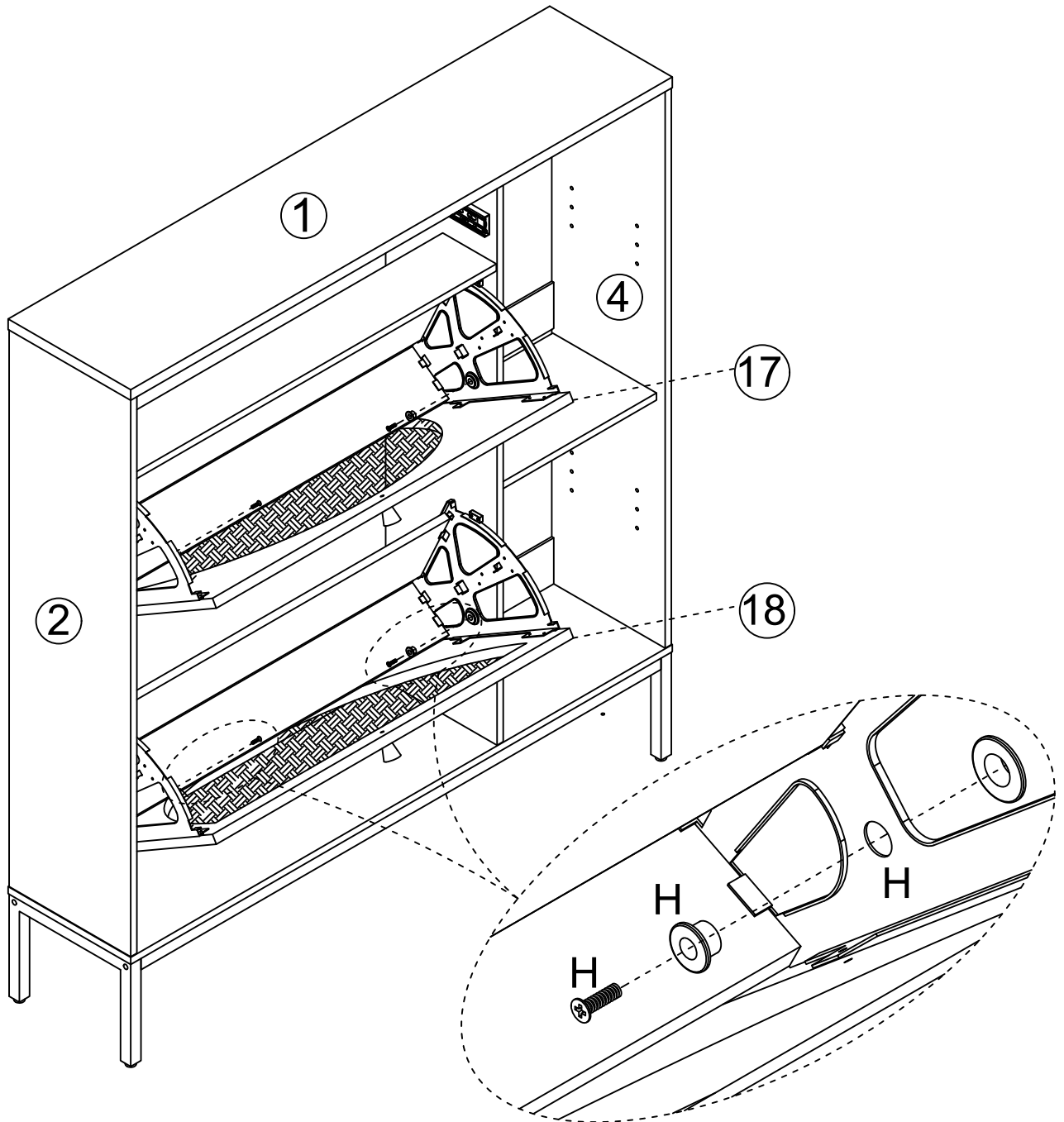
Step 15

F	L
	
X8	X2




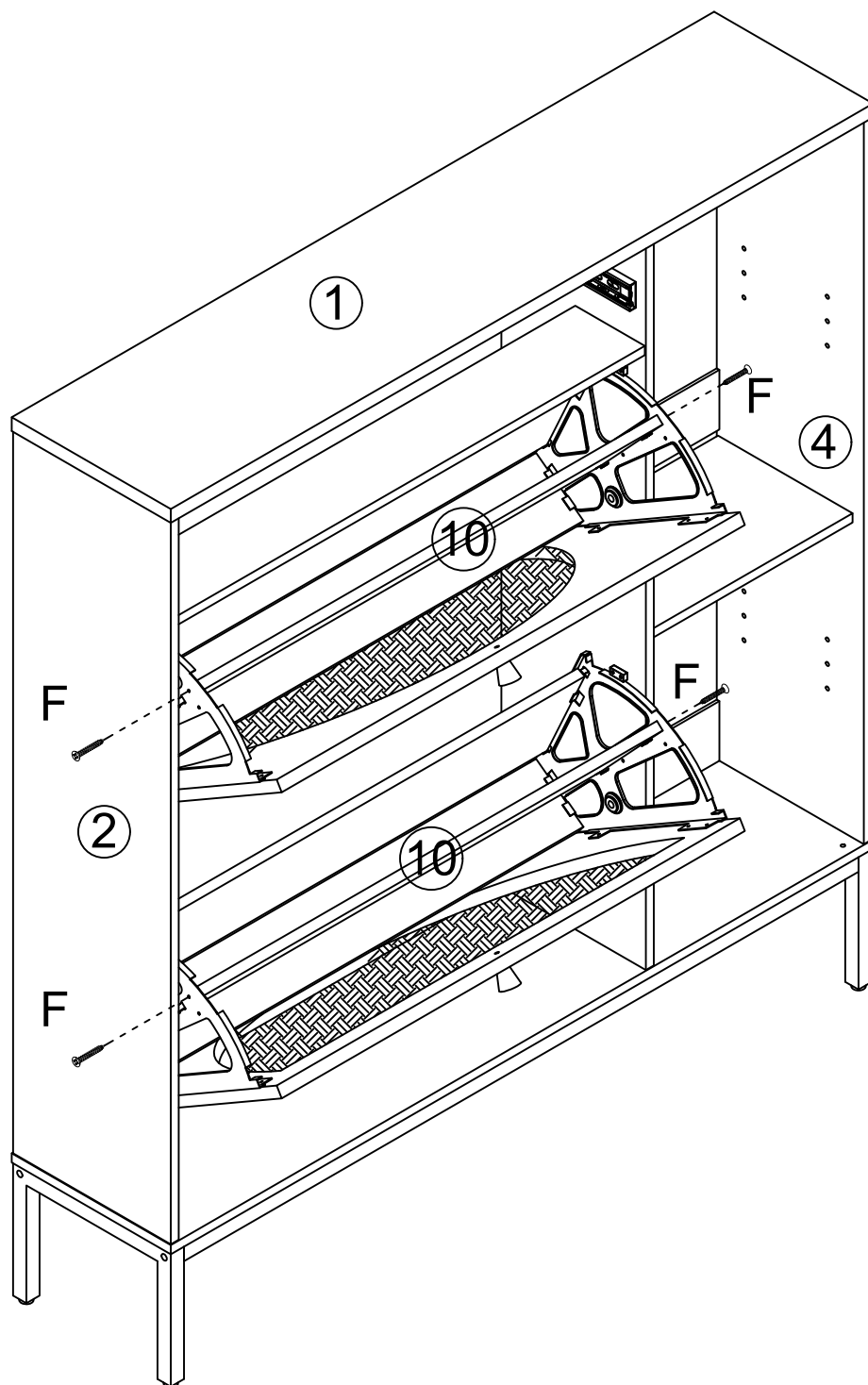
Step 16

H

X2



Step 17

F

X4

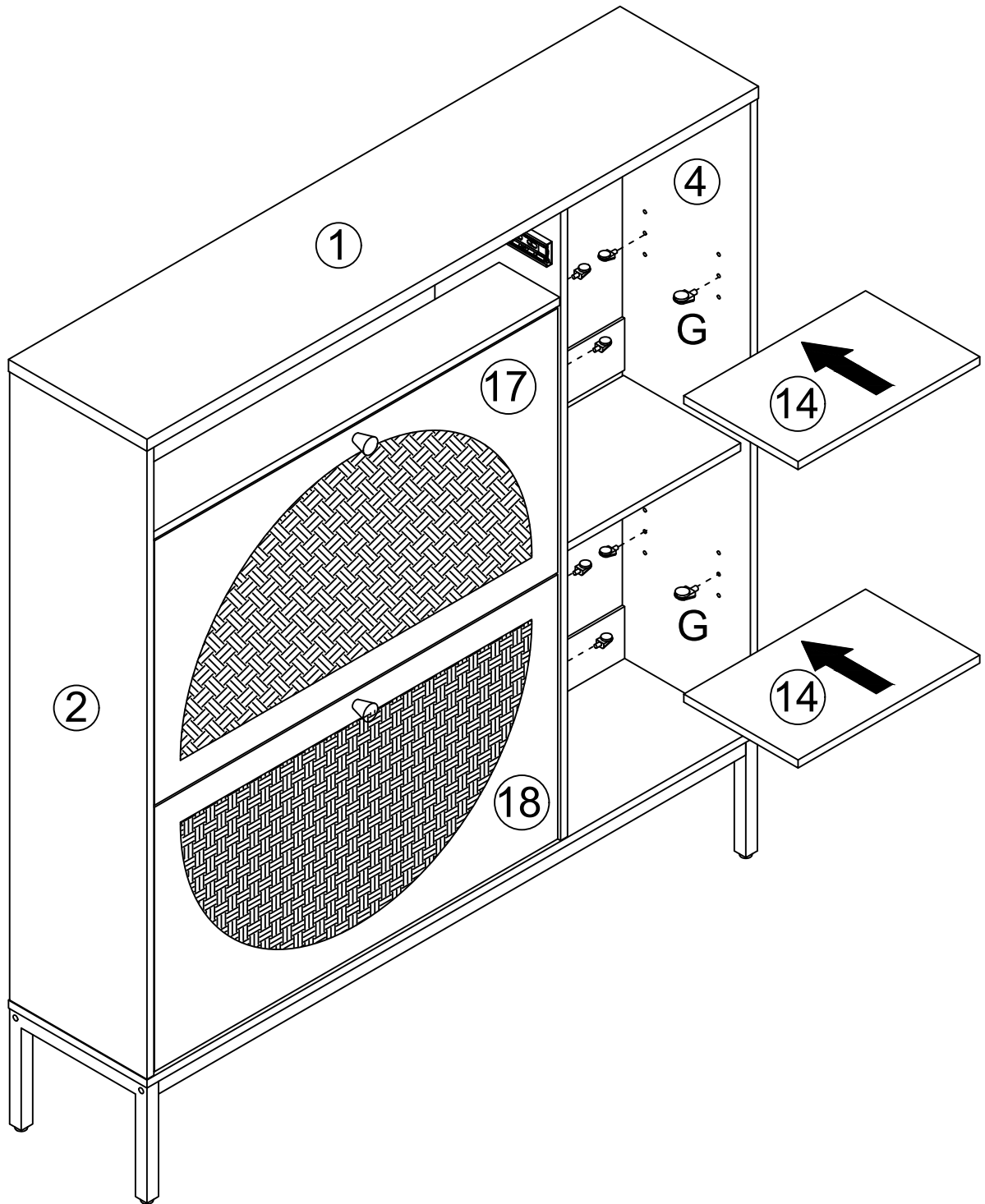


Step 18





G

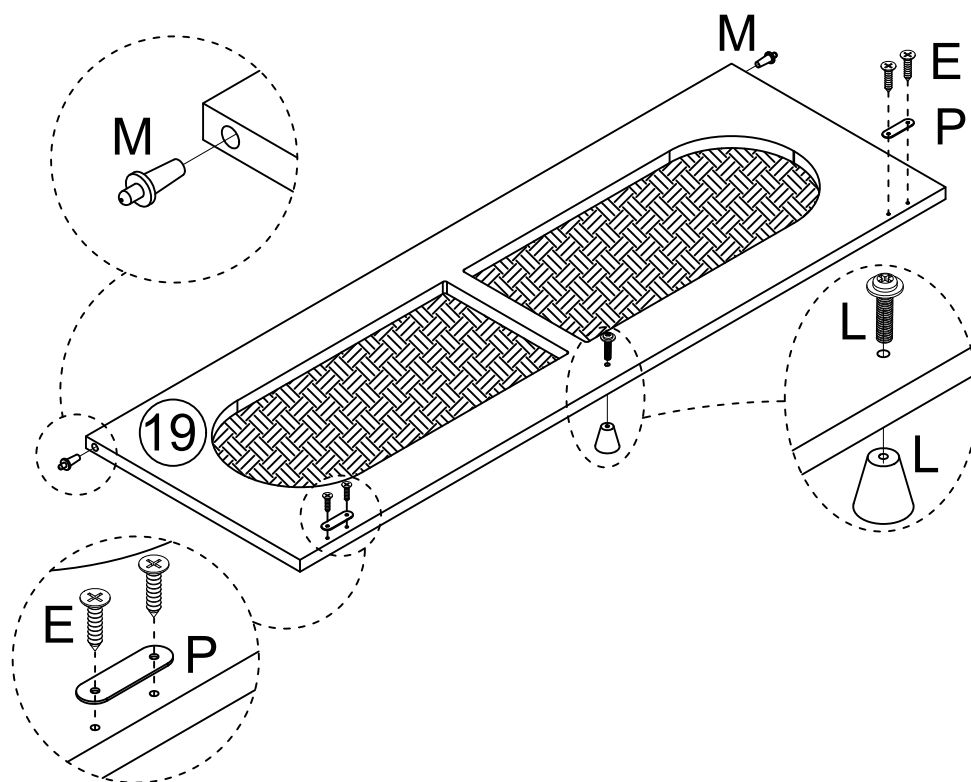


X8

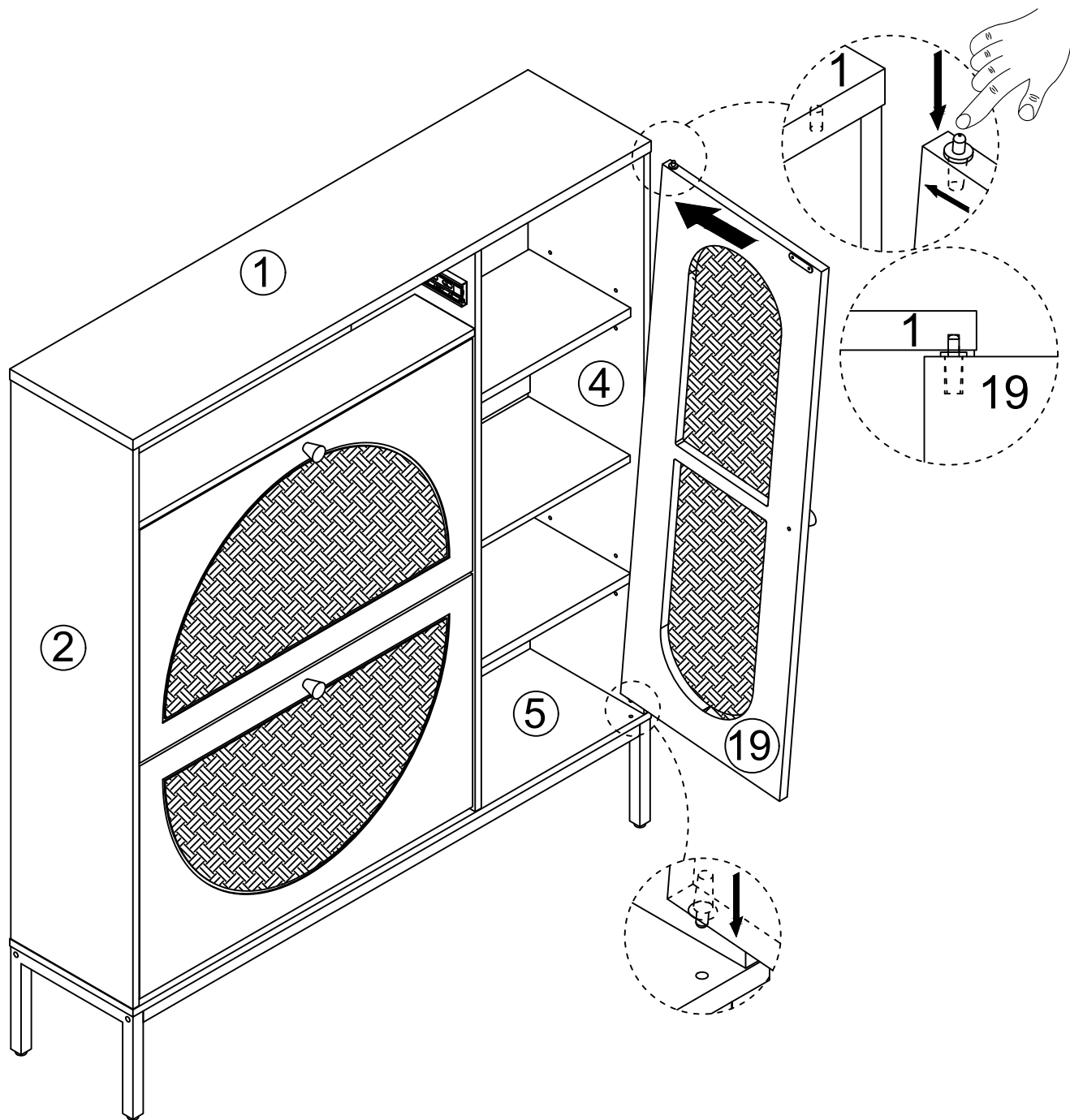


Step 19

L	E	M	P
			
X1	X4	X2	X2

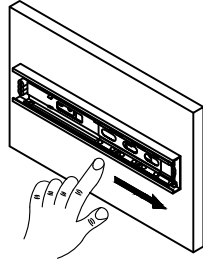


Step 20

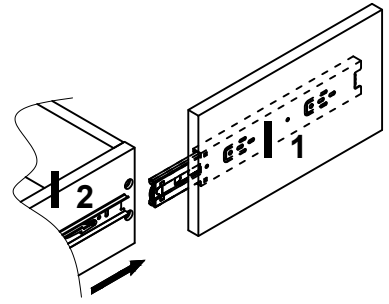


Step 21

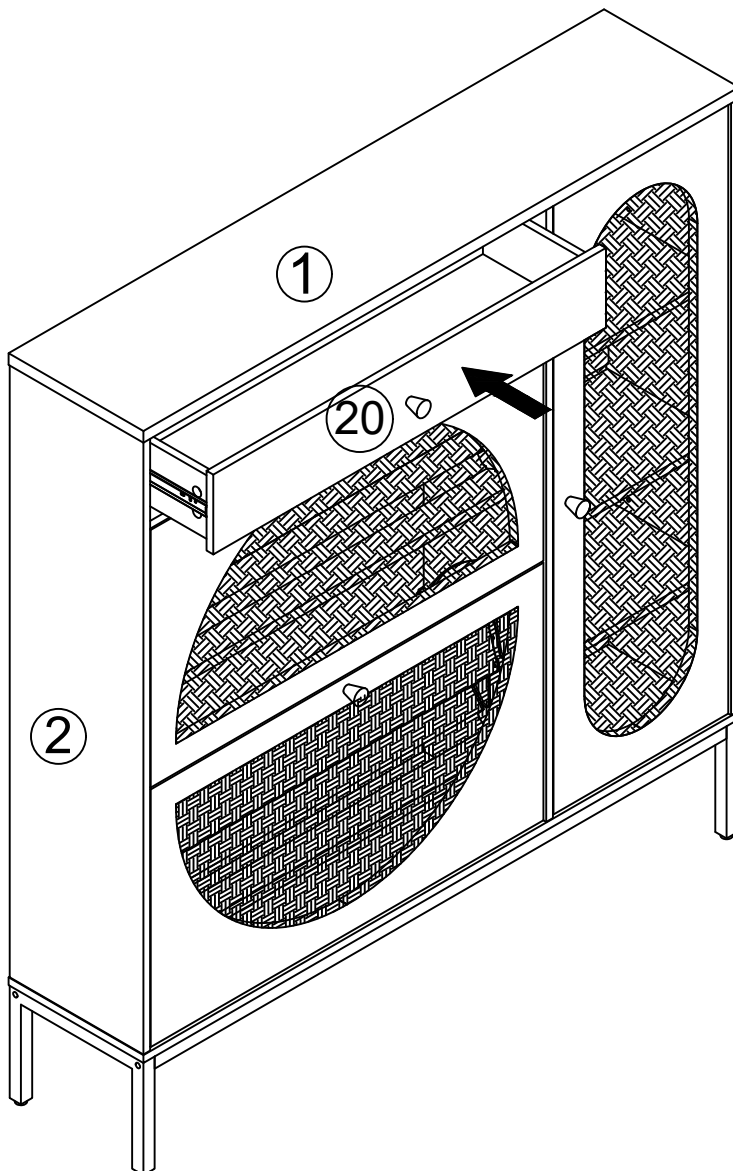
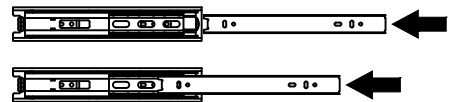
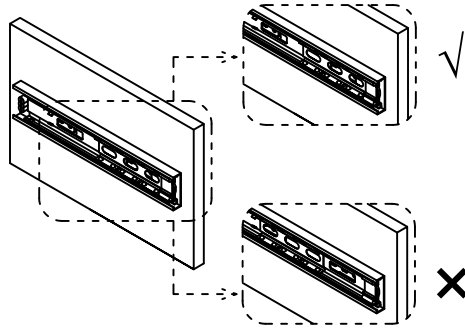
Step 1



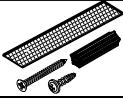
Step 3

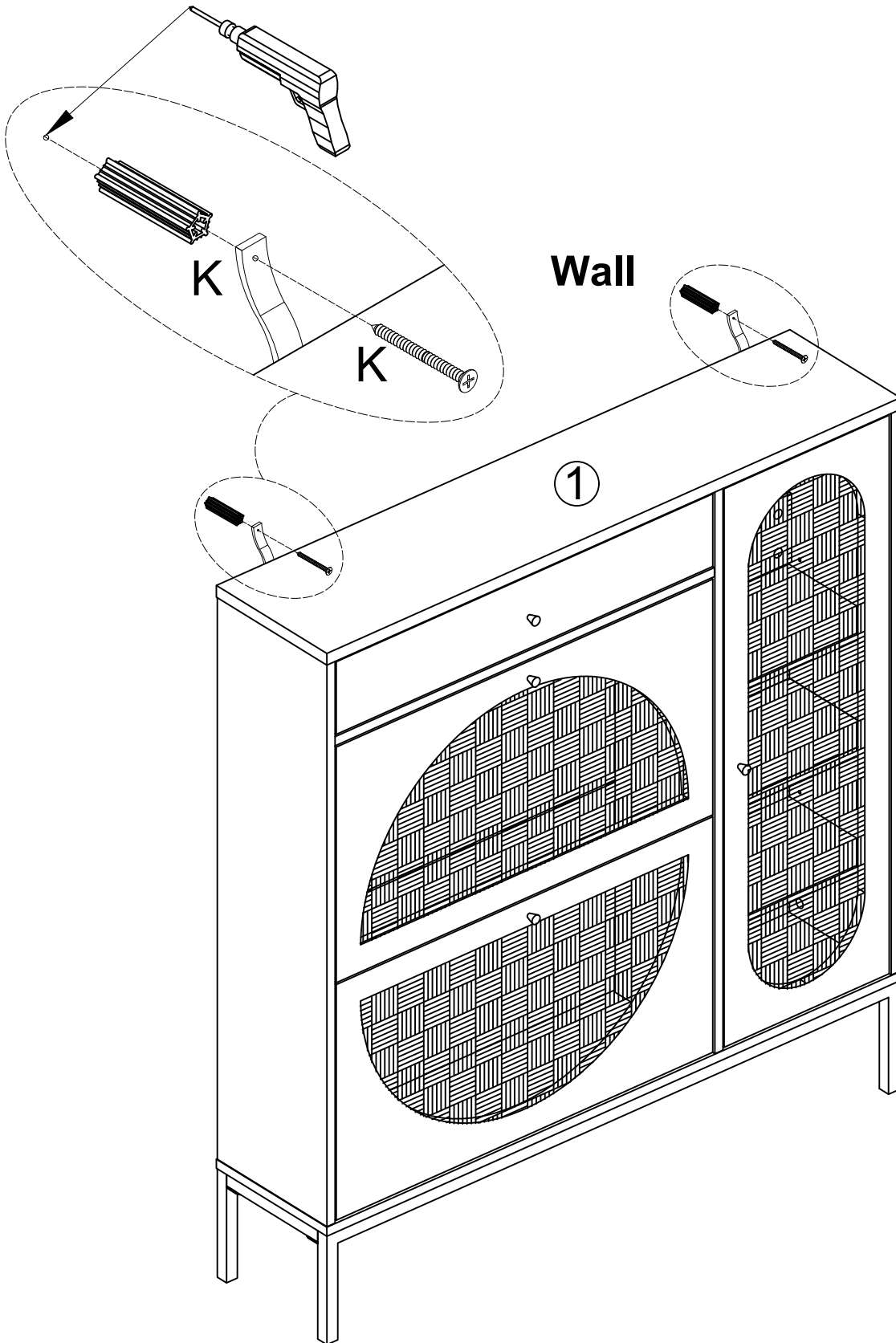


Step 2



Step 22

K

X2



Tel: 1-844-628-2348

E-mail: service@kalrin.com

Website: www.kalrin.com

S/N 25516050

2551

2511