

WARNING!!

Children have died from furniture tipover. Tip restraints have been included with this product; you must install the tip restraints according to these instructions in order to minimize the risk of furniture tipping.

NEVER allow children to climb or hang on furniture, including drawers or cabinet doors.

In addition to installing the restrains, to help prevent tip-over












1. NEVER put a TV or other heavy objects on top of this product".
2. Do not stand on the product

⚠ WARNING	
	<p>Children have died from furniture tipover. To reduce the risk of furniture tipover:</p> <ul style="list-style-type: none">-ALWAYS install anti-tip device provided.-NEVER put a TV on this product.-NEVER allow children to stand, climb, or hang on any drawers, doors, or shelves.-NEVER open more than one drawer at a time.-Place heaviest items in the lowest drawers.
	<p><i>This is a permanent label. Do not remove!</i></p>

Assembly Instructions

Caution : You must read this before you proceed

Care & Maintenance

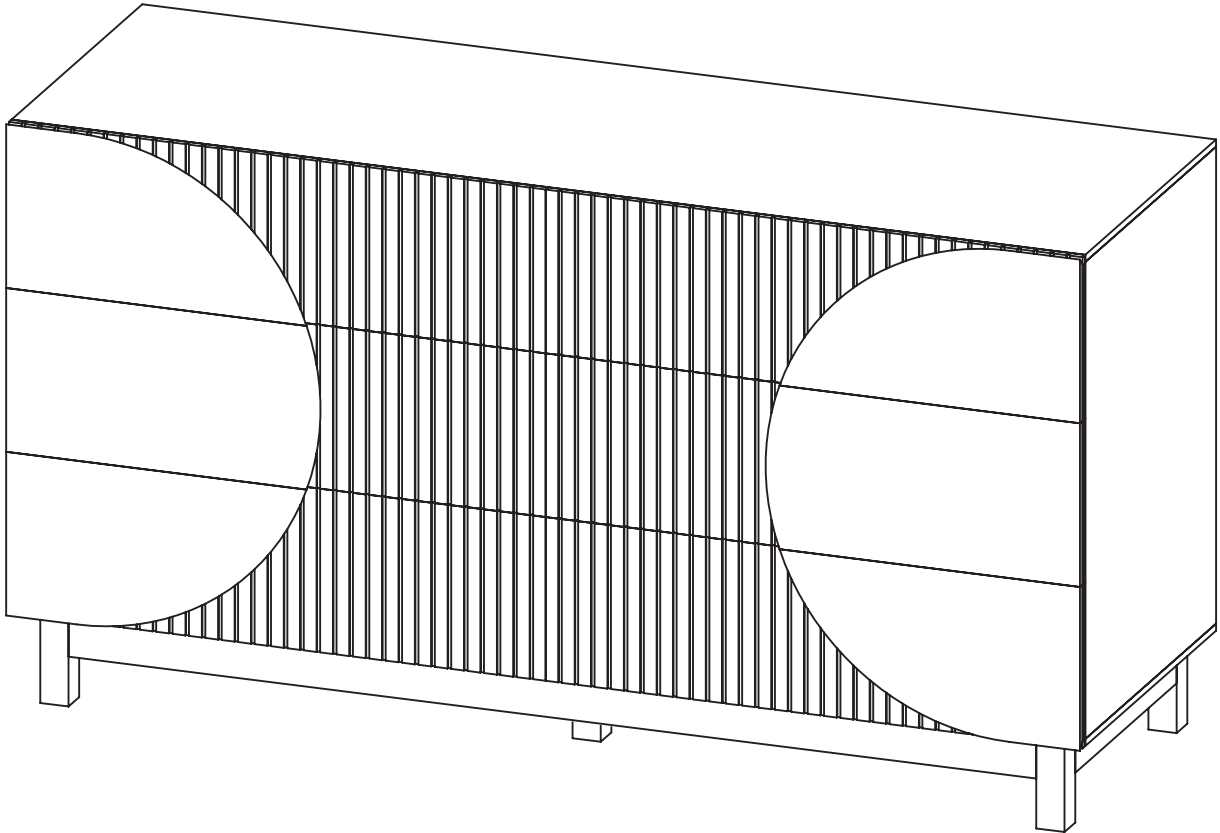
- ⊘  ● Not for commercial use. For residential use only.
- ✓  ● Furniture may scratch floors. We recommend using furniture pads to protect your floors.
- ⊘  ● Do not put hot items directly on furniture surface.
- ⊘  ● Do not clean furniture with harsh cleansers or polish.
- ⊘  ● Do not place furniture under direct sunlight.
- ⊘  ● Do not place furniture near heating or cooling vents.
- ⊘  ● Do not write on furniture without a padded barrier to protect the surface.
- ⊘  ● Do not place furniture outside . For indoor use only.
- ⊘  ● Stains may be removed with mild soap solution and damp cloth.
- ⊘  ● Children should not climb or jump on the furniture.
- ✓  ● Dust and pick-up spills using a clean, non-colored, lint-free cloth.

Please look in carton for hardware packs and legs.

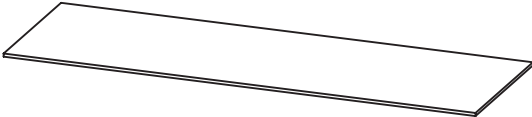
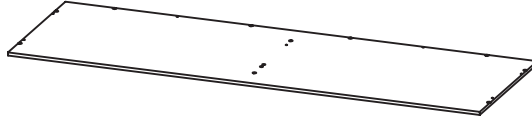
6 DRAWER CABINET



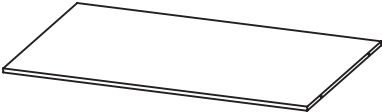
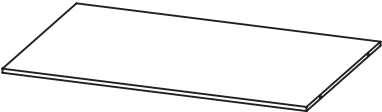
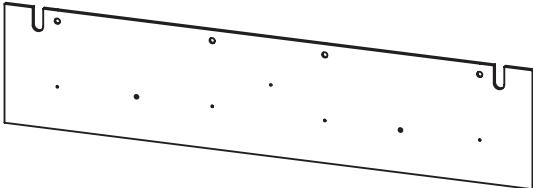
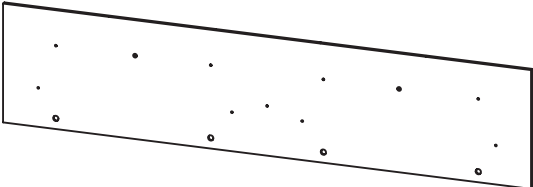



N739P438589

N739P438590

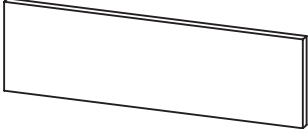

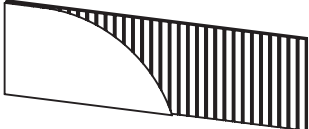
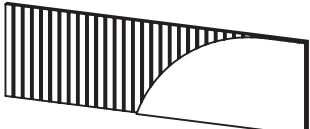
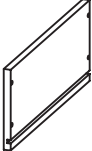
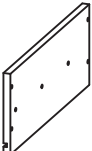

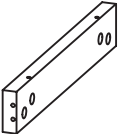
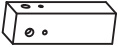
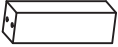


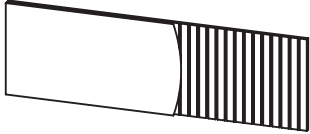
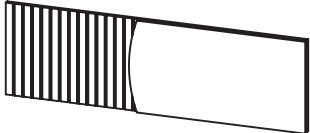
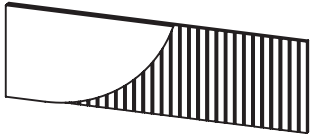
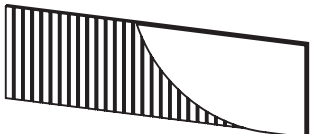
N739P438589 Parts List

Label	Picture	Description	QTY
A		Top Panel	1
B		Bottom Panel	1

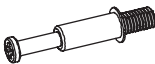






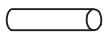
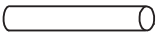
C		Left Side Panel	1
D		Right Side Panel	1
E1		Layer Panel	2
E2		Layer Panel	2
F		Back Panel	1
G		Back Panel	1
H		Strip	6
I		Leg Strip	2
J		Drawer Bottom Panel	6



N739P438590 Parts List

Label	Picture	Description	QTY
K		Back Panel	2
L		Middle Side Panel	1
M		Left Drawer Panel	1
N		Right Drawer Panel	1
O		Drawer Left Side Panel	6
P		Drawer Right Side Panel	6
Q		Drawer Back Panel	6
R		Leg Strip	2
S		Leg	4
T		Leg	1


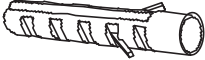


U		Left Drawer Panel	1
V		Right Drawer Panel	1
W		Left Drawer Panel	1
X		Right Drawer Panel	1

N739P438590 Hardware

Label	Picture	Description	QTY
①		Cam Bolt (Ø6*35mm)	76+7
②		Cam Nut (Ø15*9mm)	76+7
③		Screw (Ø3.5*12mm)	72+7
④		Screw (Ø3.5*25mm)	52+5
⑤		Screw (Ø3.5*35mm)	2+1
⑥		Slide Rail(11")	12
⑦		Dowel (Ø8*20mm)	8+1
⑧		Dowel (Ø5*20mm)	71+7
⑨		Dowel (Ø6*35mm)	3+1

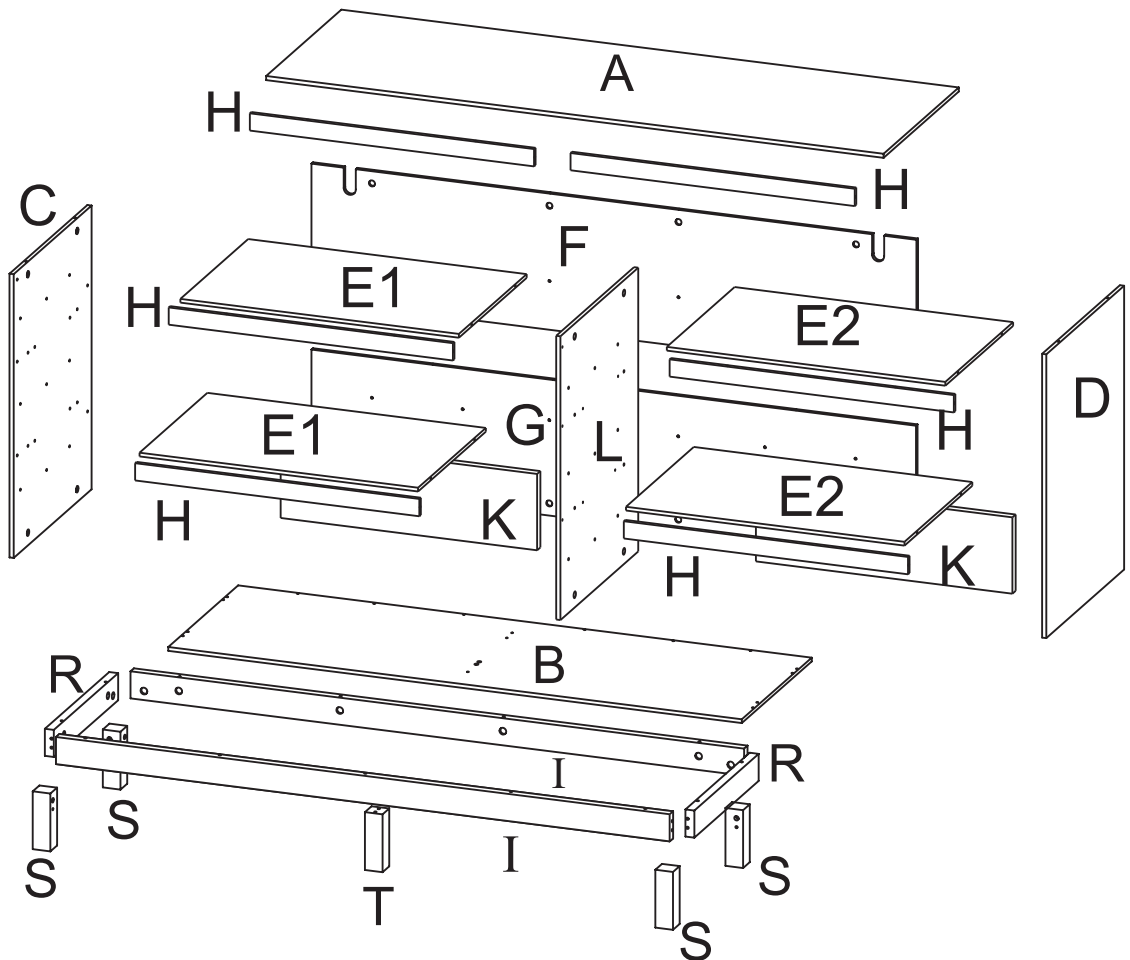
⑩		Nut	68+7
⑪		L-type Hexagon Wrench	1

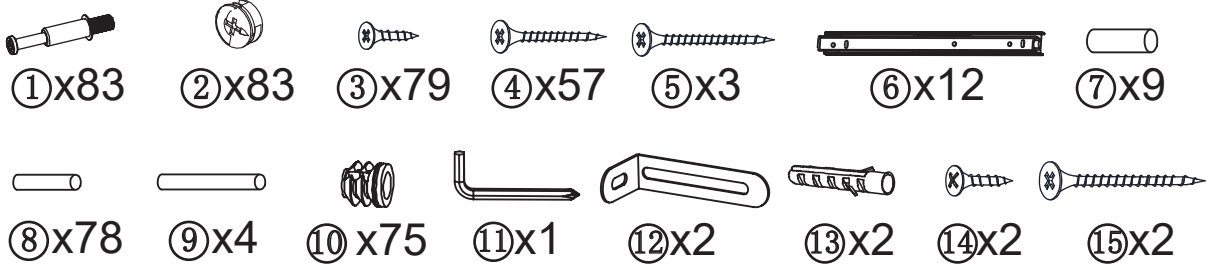
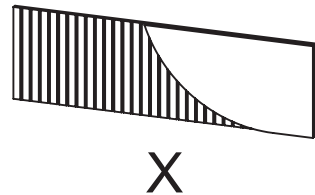
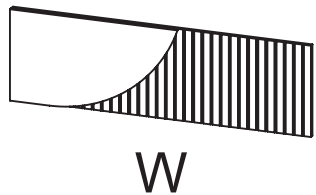
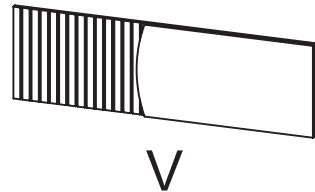
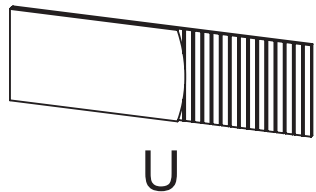
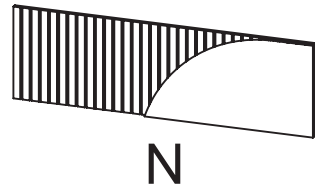
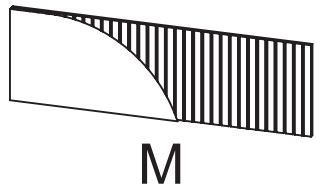
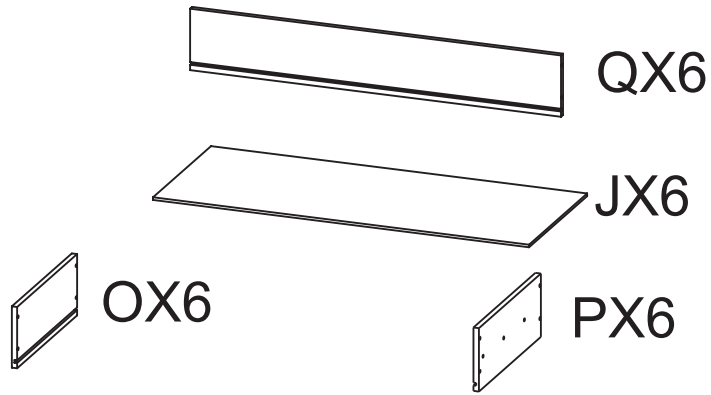
Restraint Device Hardware

⑫		Anti-Tipping Iron Sheet	2
⑬		Nut	2
⑭		Screw (Ø4*12mm)	2
⑮		Screw (Ø4*35mm)	2

Assembly Preparation

Before
Beginning
Assembly:





- Read instructions, cover to cover-



- Have 2 adults on hand for assembly-



- Do not assemble on flooring or carpet-



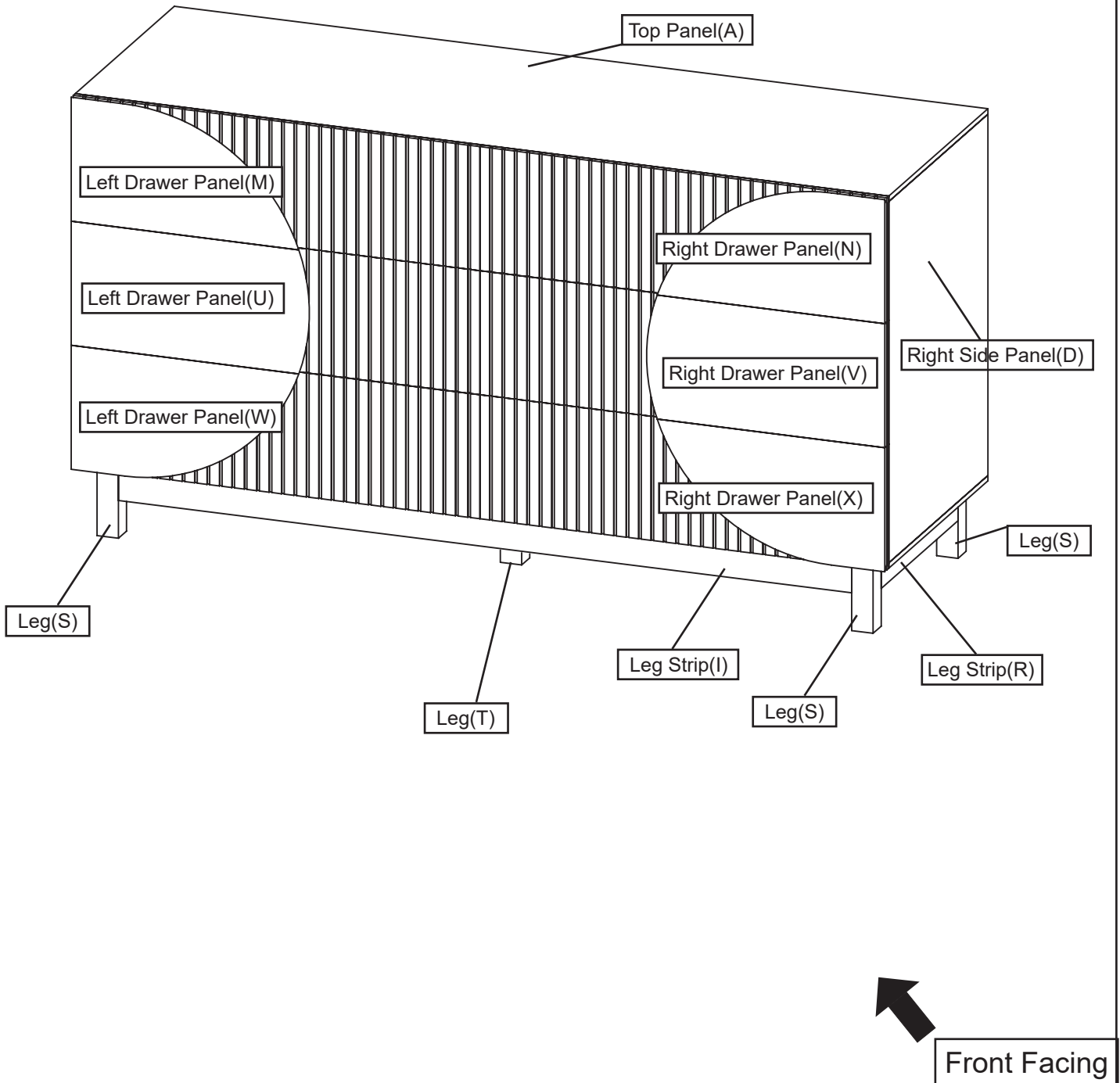
- Assemble on a clean non-marring surface (packing foam)-



- Save all packaging until finished-

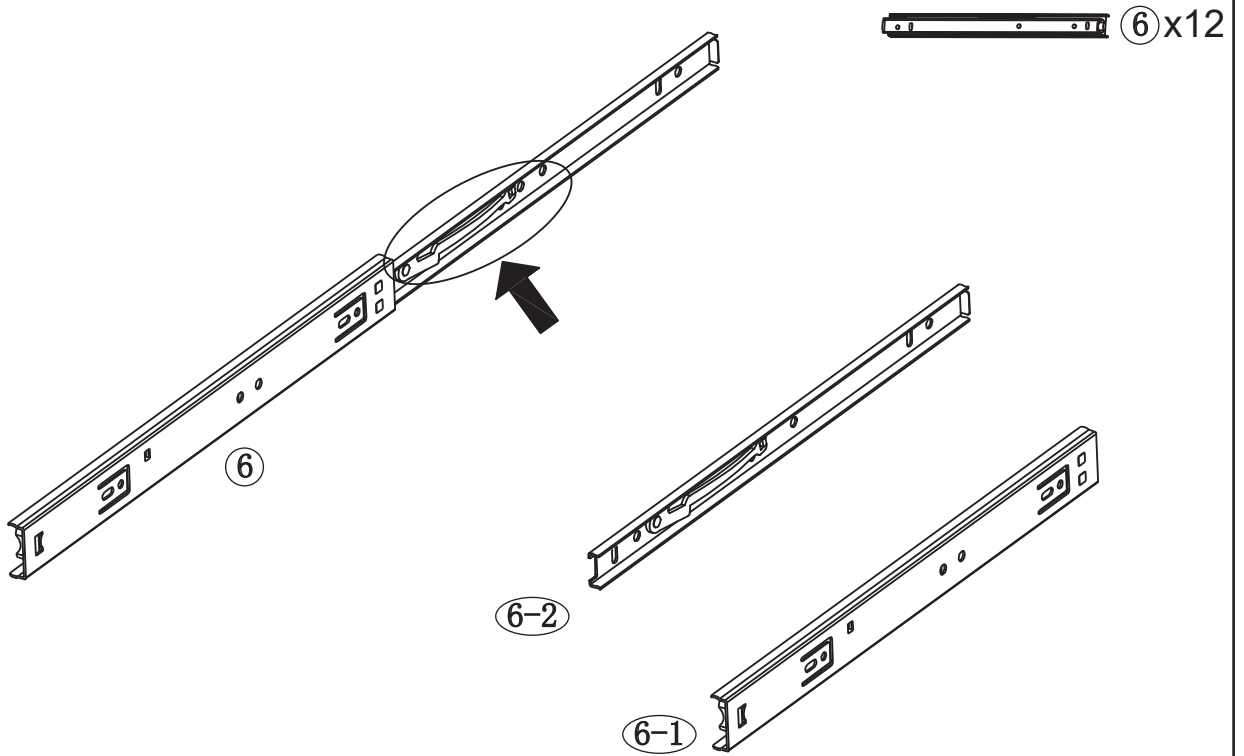
Assembly Steps

Overview



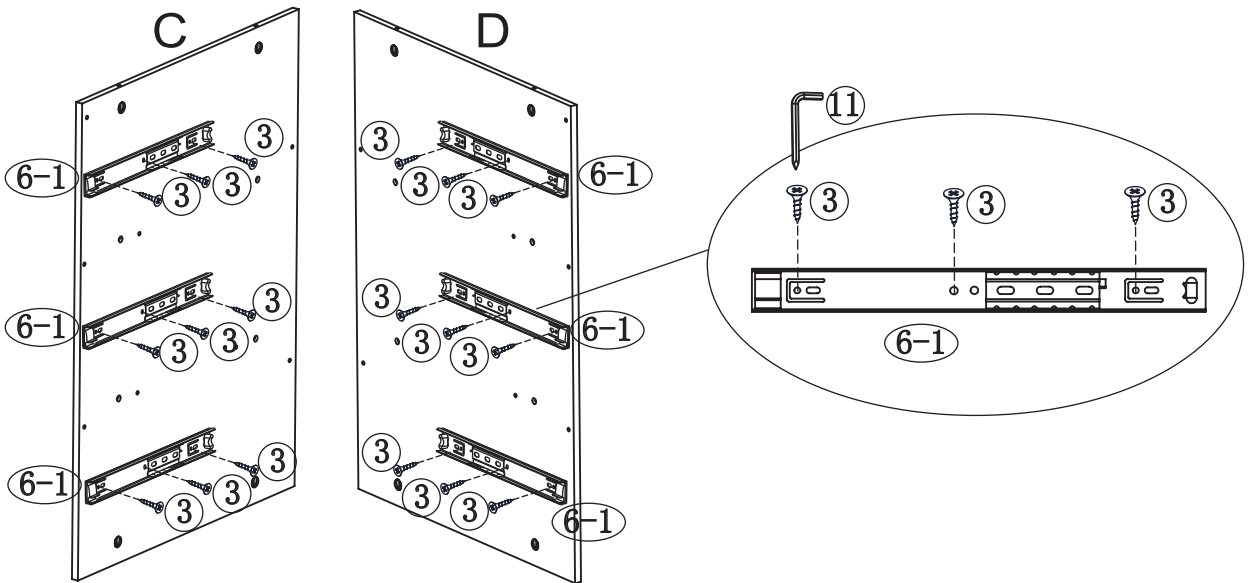
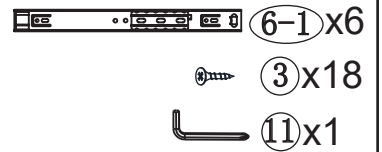
This 6 drawer cabinet has multiple parts and may require up to 60 minutes to assemble. To give you an overview of the 6 drawer cabinet parts, the above picture is to help you put the various parts into perspective. Please read through the instructions below to familiarise yourself with the parts and steps before assembly.

Step 1



Open the slide rail (6) and divide it into (6-1) and (6-2).

Step 2

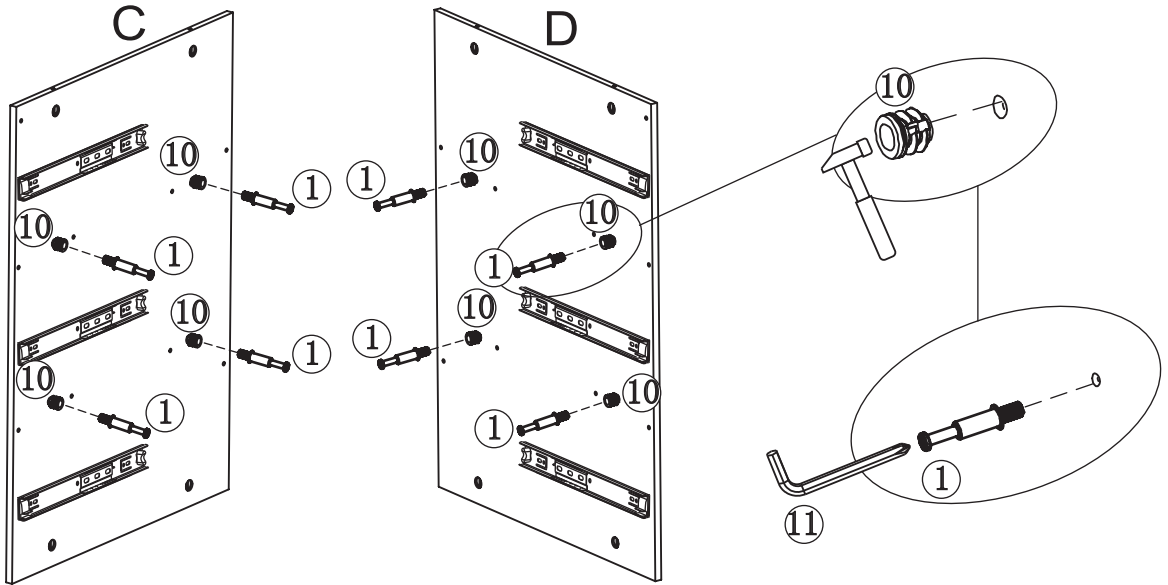


Attach the slide rail (6-1) to the left side panel (C) with screw (3) using L-type hexagon wrench (11). Repeat the previous steps to the right side panel (D).

Step 3



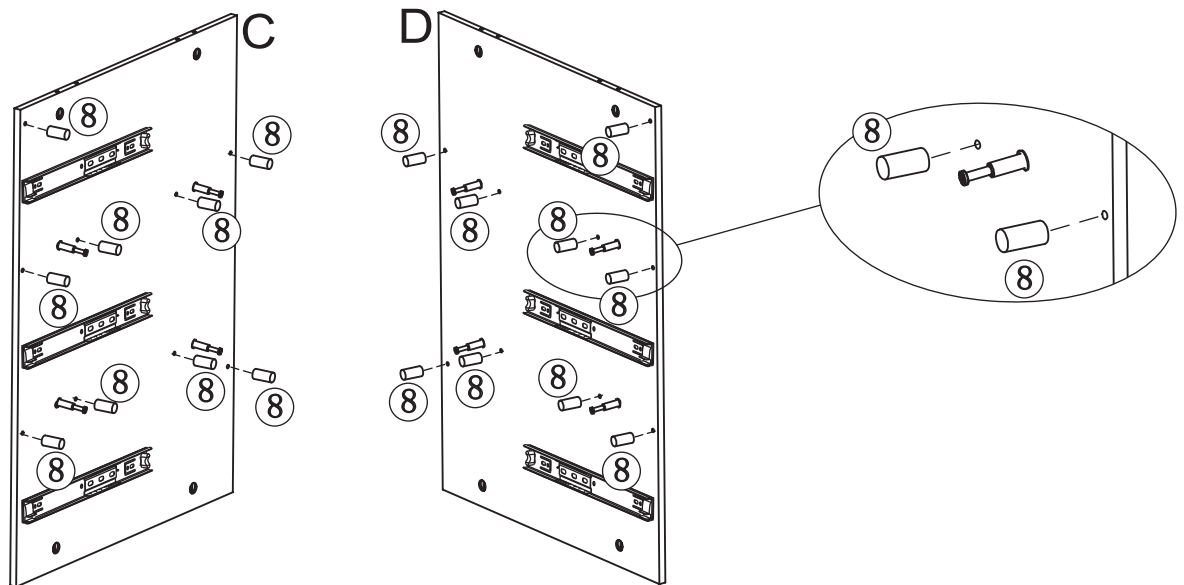
- ①x8
- ⑪x1
- ⑩x8



Attach nut(⑩) to the left side panel(C) using hammer(not provided).
Attach cam bolt(①) to the left side panel(C) using l-type hexagon wrench (⑪).
Repeat the previous steps to the right side panel(D) .

Step 4

- ⑧x18

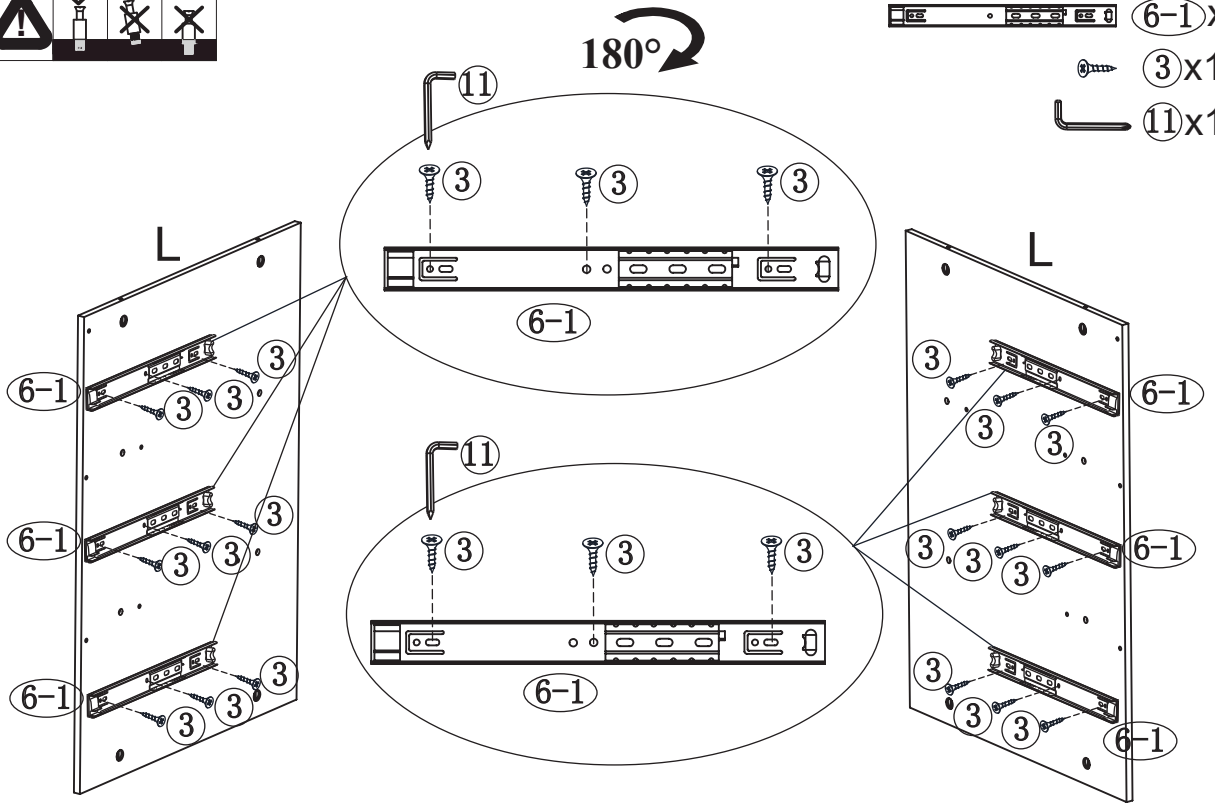


Fix the dowel(⑧) to the left side panel(C) .
Repeat the previous steps to the right side panel(D) .

Step 5



- 6-1 x6
- 3 x18
- 11 x1

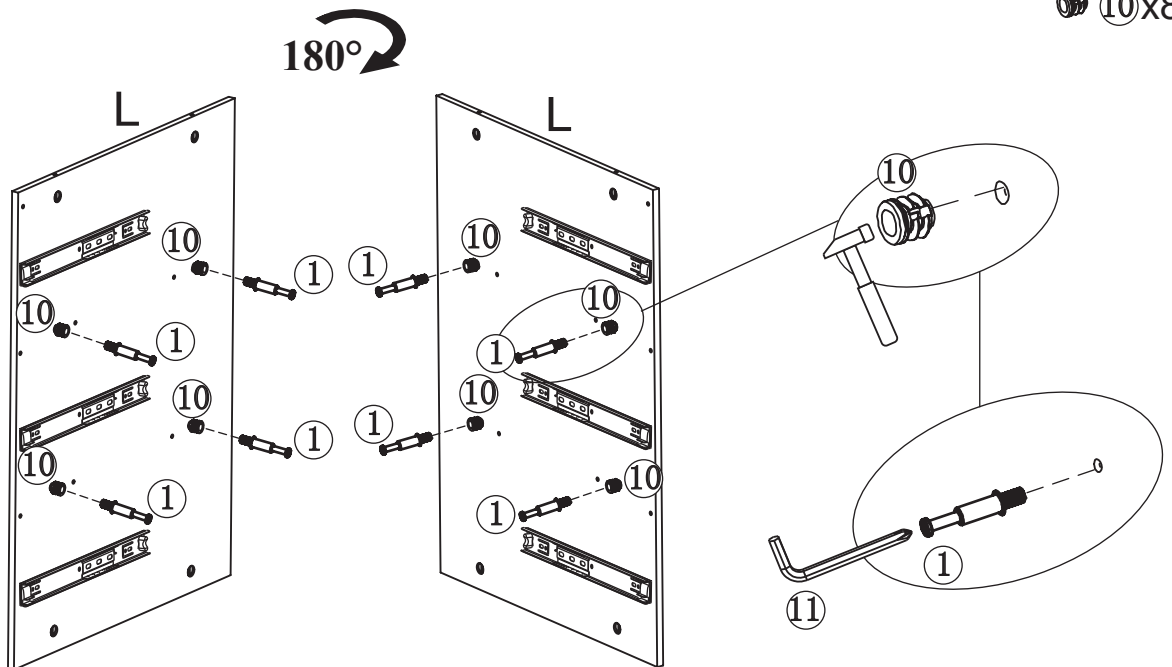


Attach the slide rail (6-1) to the middle side panel(L) with screw(3) using I-type hexagon wrench(11).

Step 6

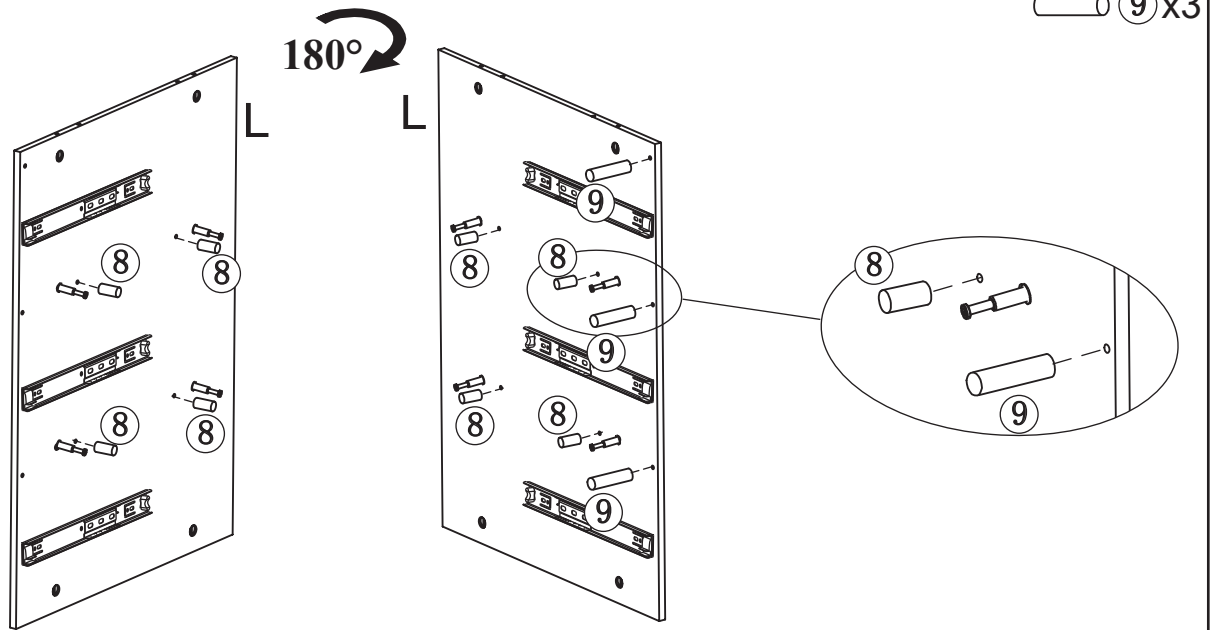


- 1 x8
- 11 x1
- 10 x8



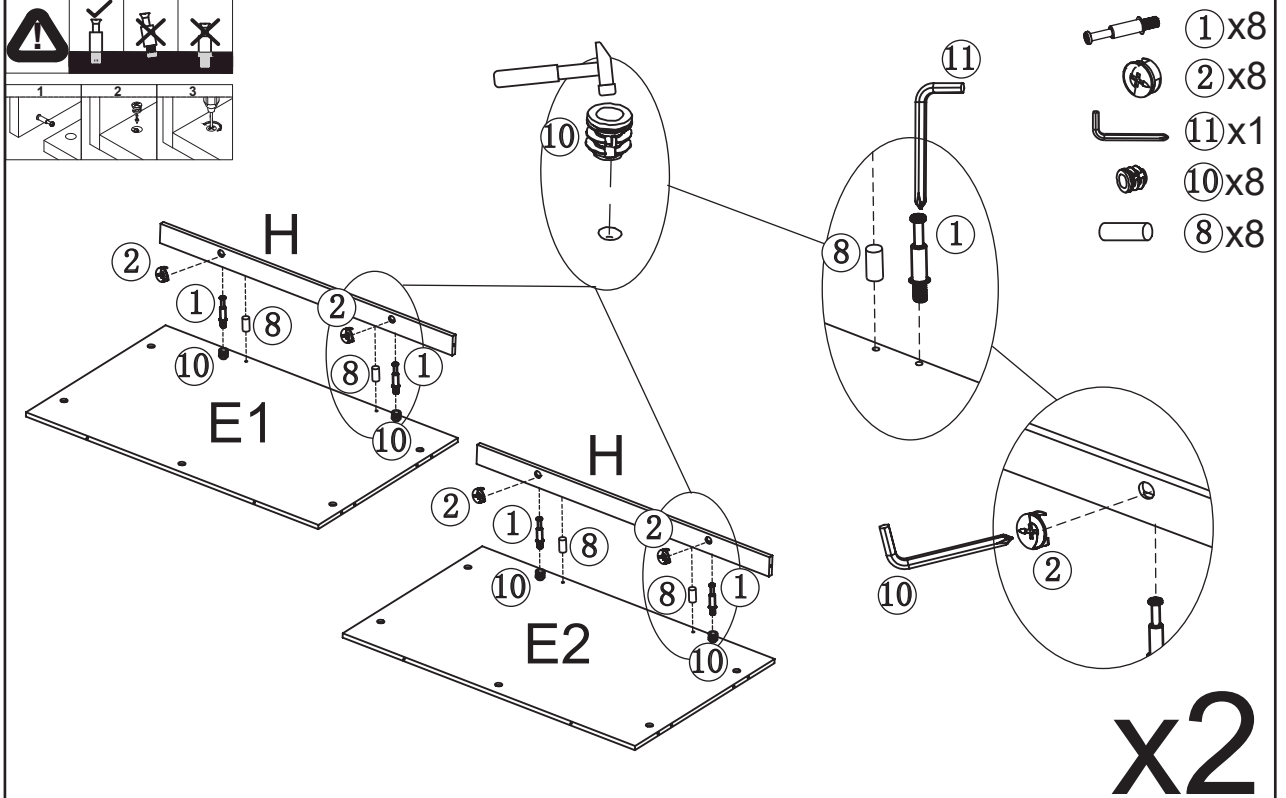
Attach nut(10) to the middle side panel(L) using hammer(not provided).
 Attach cam bolt(1) to the middle side panel(L) using I-type hexagon wrench (11).

Step 7



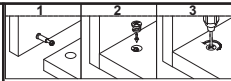
Fix the dowel(8)(9) to the middle side panel(L).

Step 8

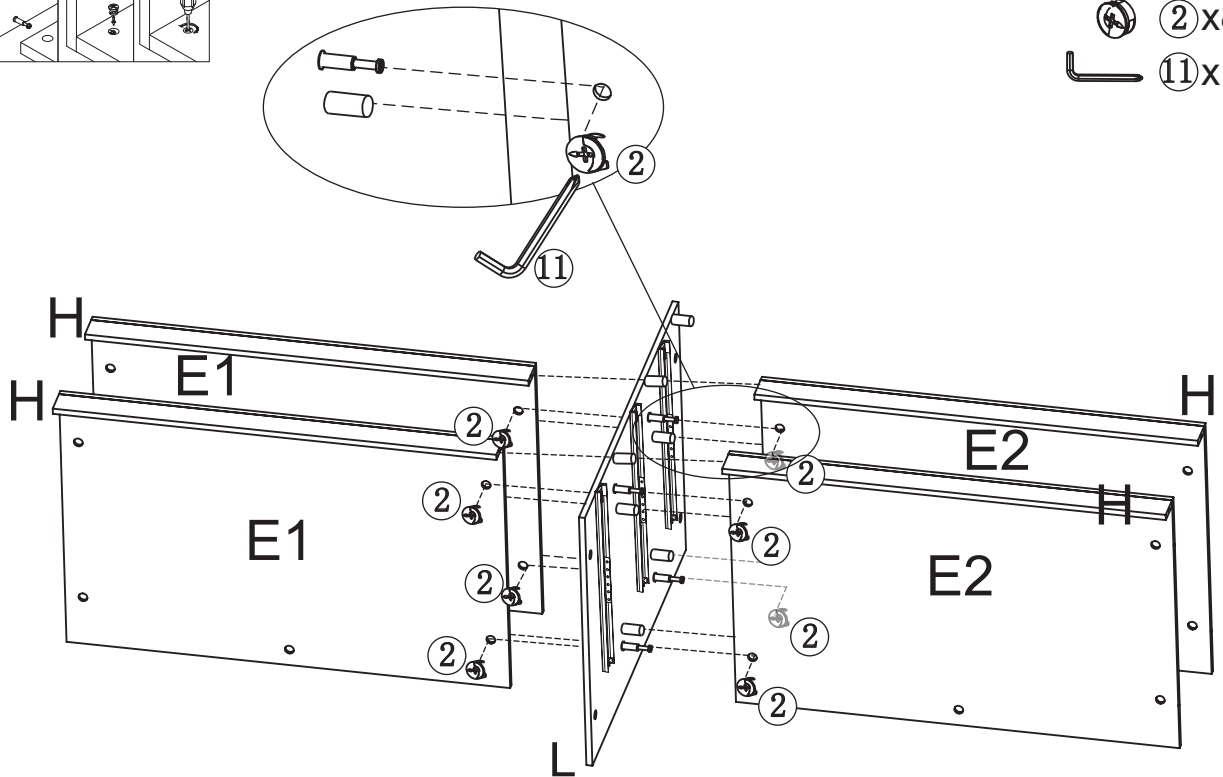


Attach nut(10) to the layer panel(E1,E2) using hammer(not provided).
 Attach cam bolt(1) to the layer panel(E1,E2) using I-type hexagon wrench (11).
 Fix the dowel(8) to the layer panel(E1,E2).
 Attach the layer panel(E1,E2) to the strip(H) with cam nut(2) using I-type hexagon wrench(11).

Step 9



- ⊗ ②x8
- └ ⑪x1

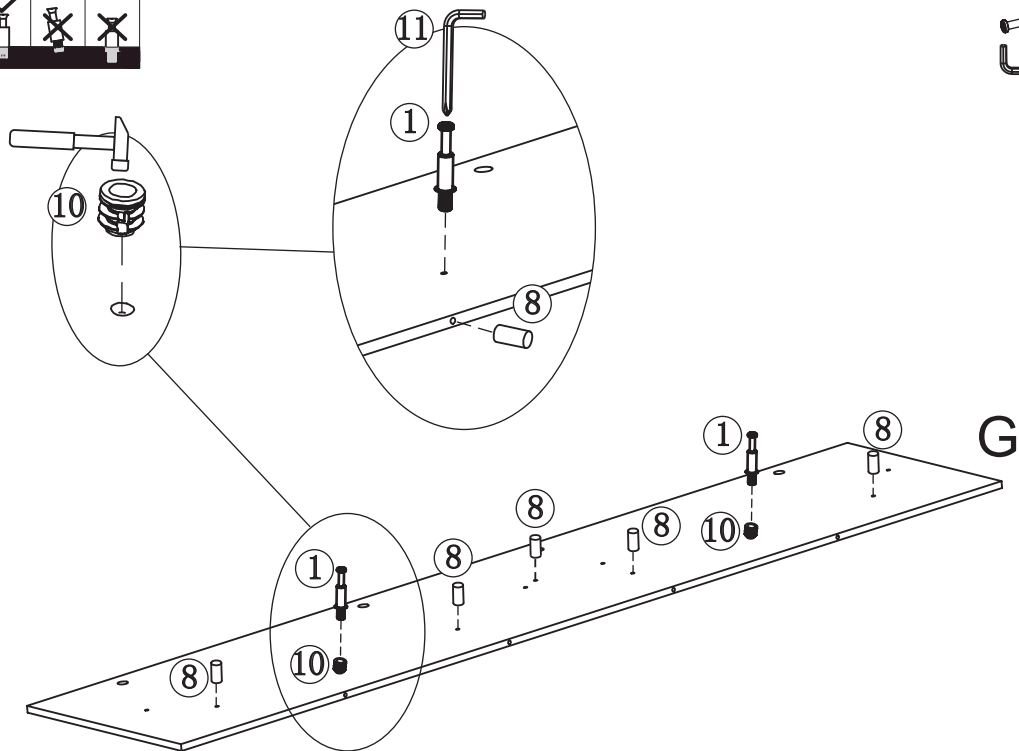


Attach the layer panel(E1,E2) to the middle panel(L) with cam nut(②) using I-type hexagon wrench(⑪).

Step 10

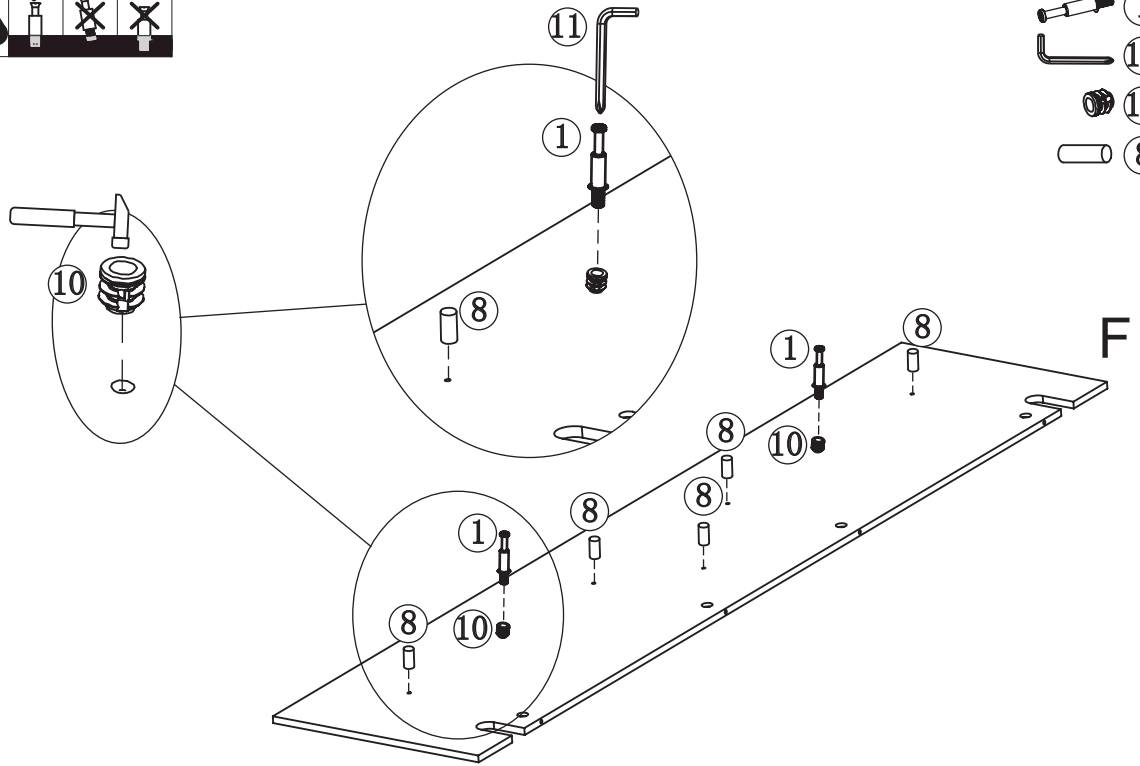


- ⊗ ①x2
- └ ⑪x1
- ⊗ ⑩x2
- └ ⑧x5



Attach nut(⑩) to the back panel(G) using hammer(not provided).
Attach cam bolt(①) to the back panel(G) using I-type hexagon wrench (⑪).
Fix the dowel(⑧) to the back panel(G).

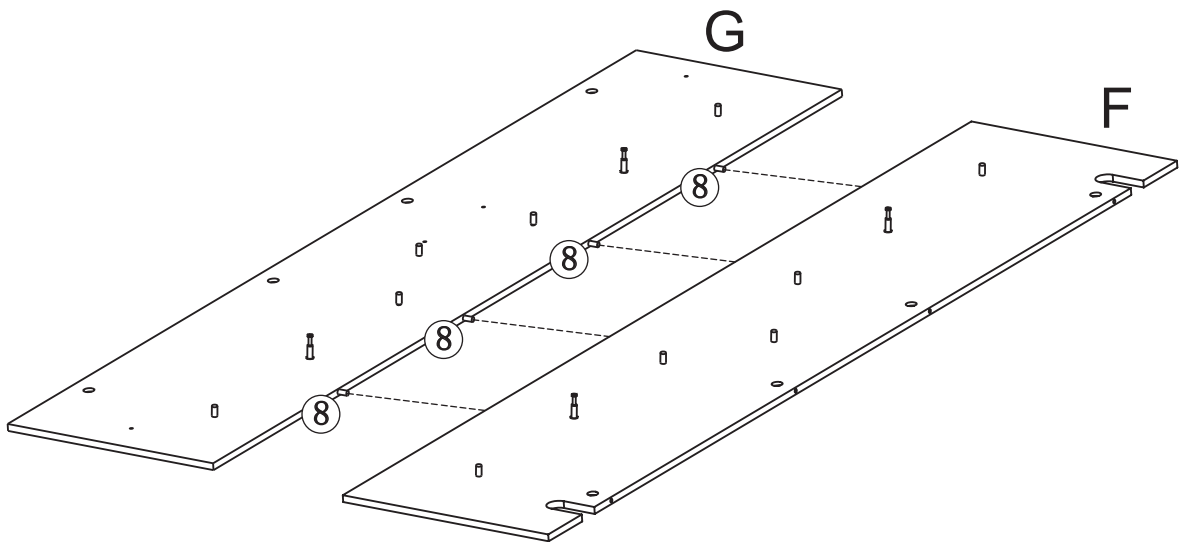
Step 11



Attach nut(⑩) to the back panel(F) using hammer(not provided).
Attach cam bolt(①) to the back panel(F) using I-type hexagon wrench (⑪).
Fix the dowel(⑧) to the back panel(F).

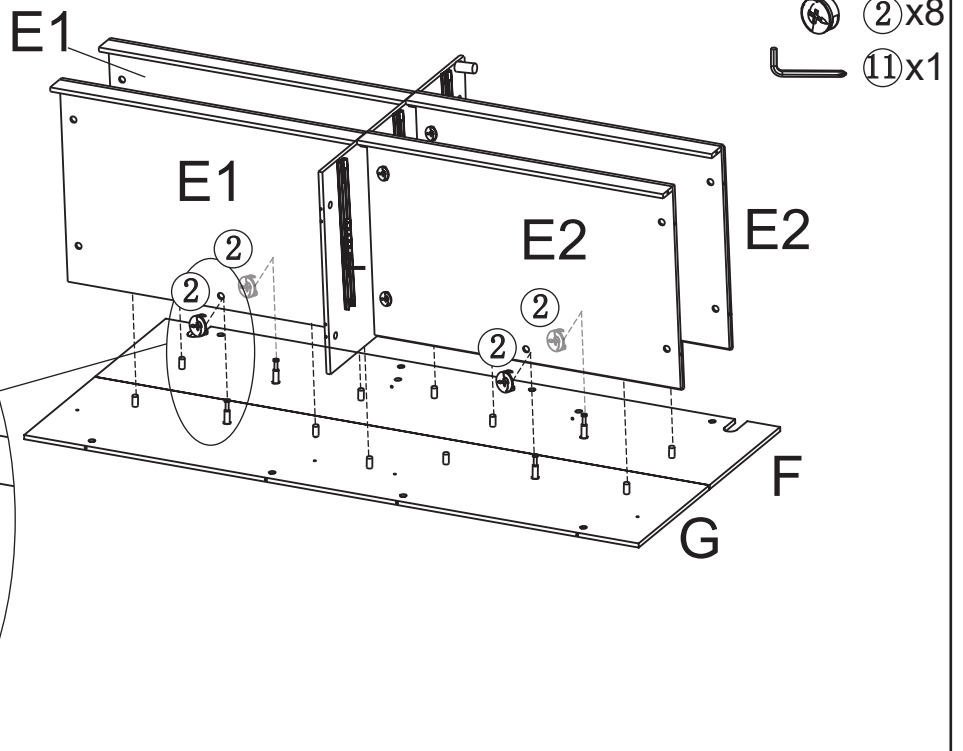
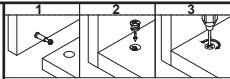
Step 12

⑧ x4



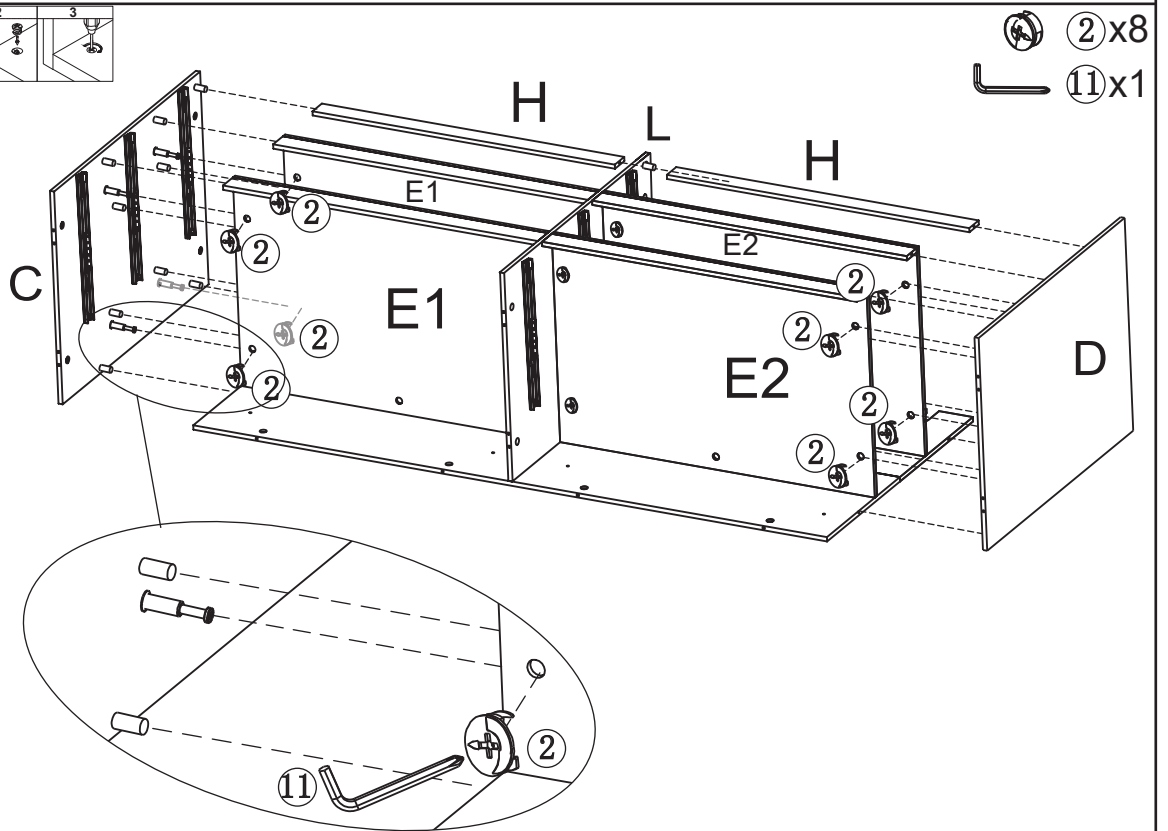
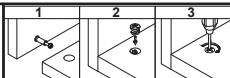
Connect the back panel(G) and the back panel(F) with the dowel(⑧).

Step 13



Attach the layer panel(E1,E2) and the middle side panel(L) to the back panel(G,F) with cam nut(2) using I-type hexagon wrench(11).

Step 14

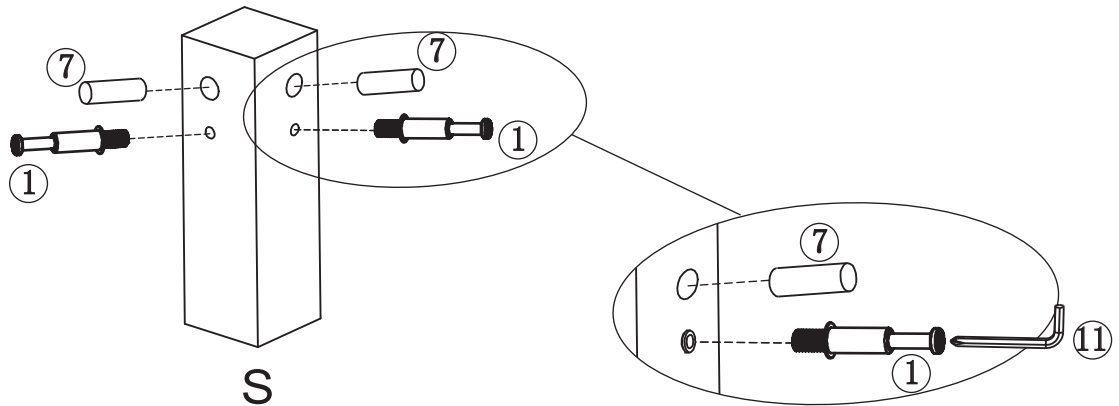


Attach the left side panel(C) and the right side panel(D) to the layer panel(E1,E2) with cam nut(2) using I-type hexagon wrench(11). Connect the left side panel(C), the right side panel(D), the middle side panel(L) and the strip(H) with the dowel(8).

Step 15



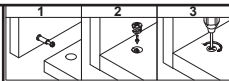
- ① x8
- ⑦ x8
- ⑪ x1



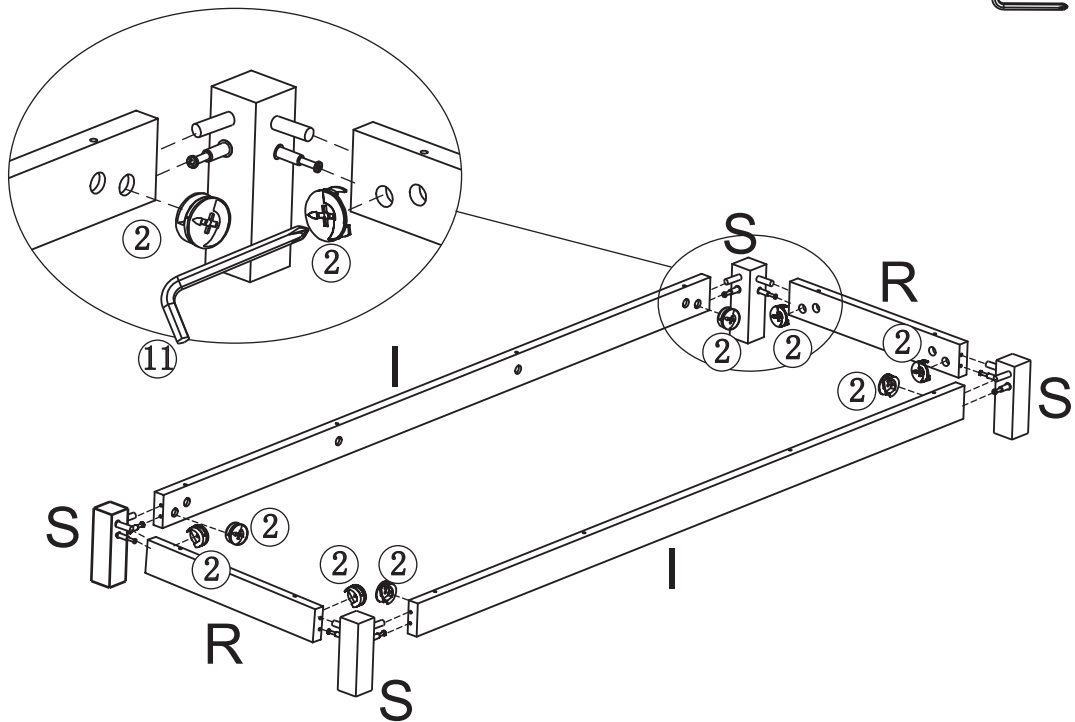
x4

Attach cam bolt(①) to the leg(S) using l-type hexagon wrench (⑪).
Fix the dowel(⑦) to the leg(S).

Step 16

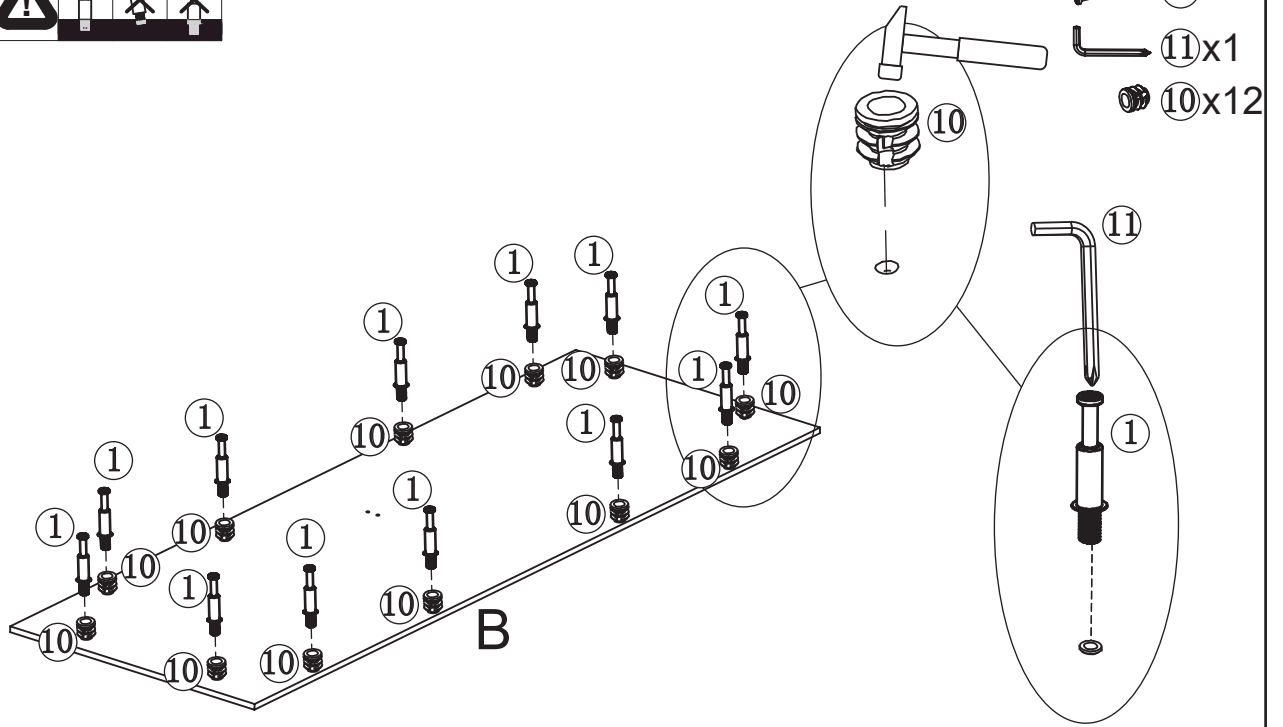


- ② x8
- ⑪ x1



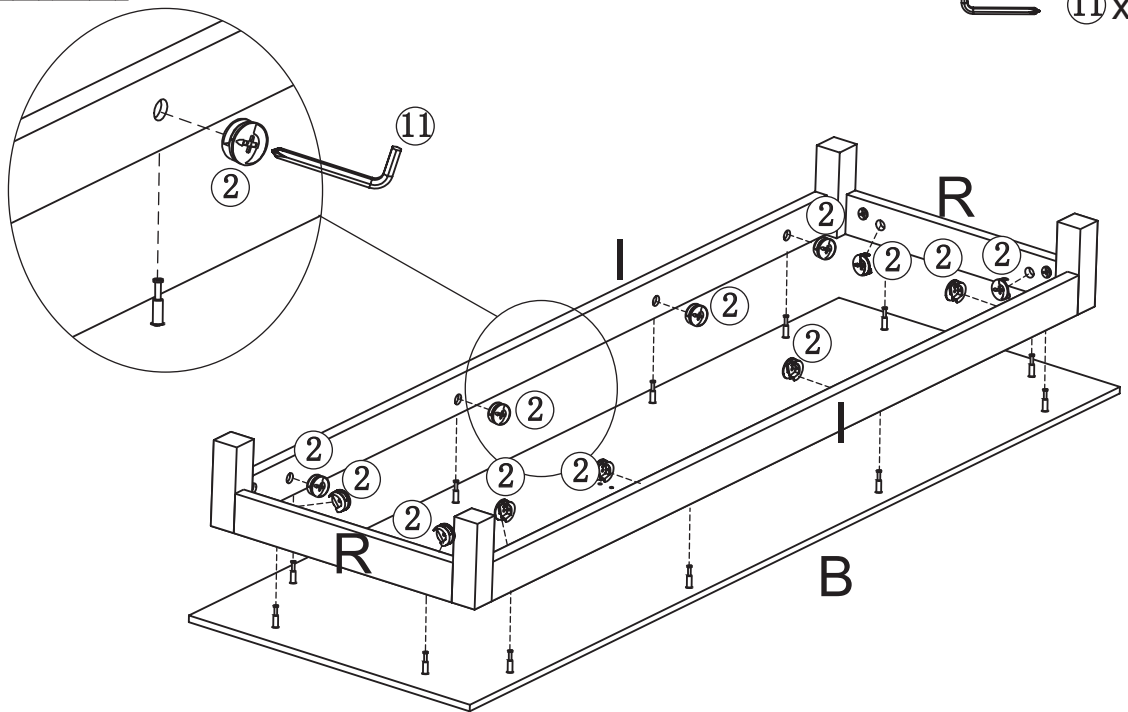
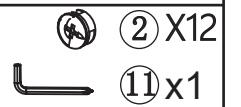
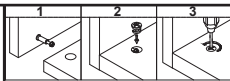
Attach the leg strip(I,R) to the leg(S) with cam nut(②) using l-type hexagon wrench (⑪).

Step 17



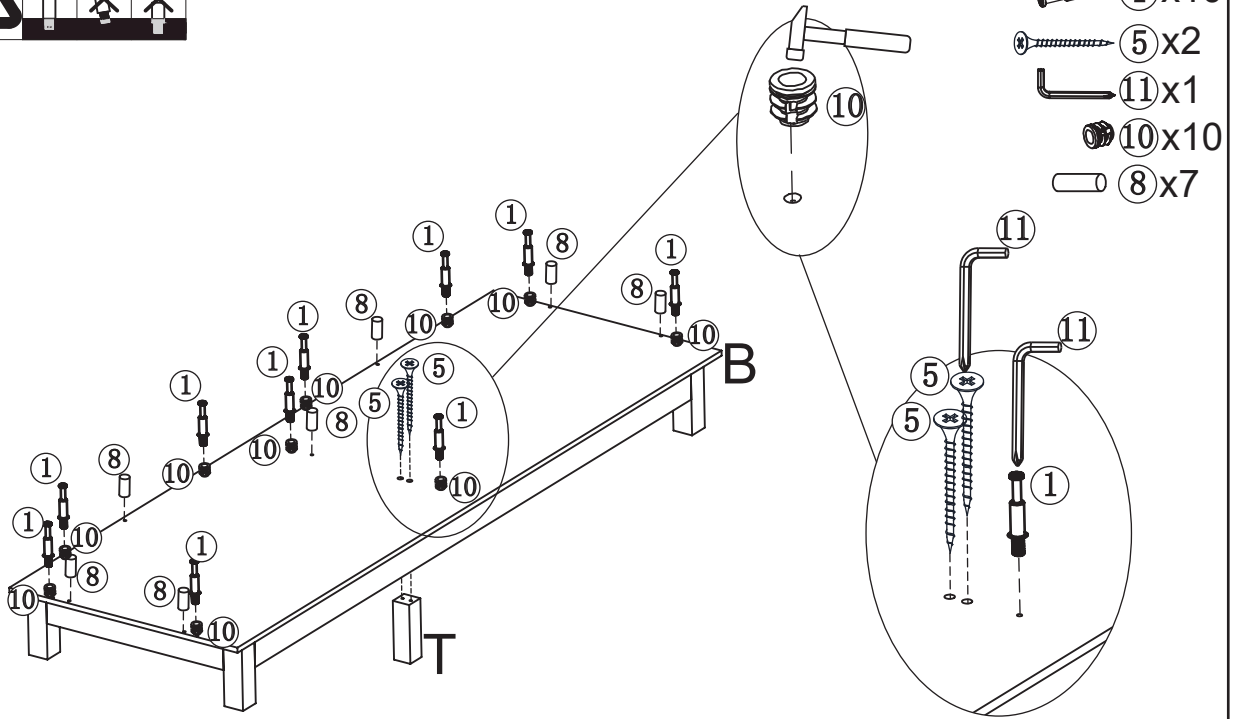
Attach nut(10) to the bottom panel(B) using hammer(not provided).
Attach cam bolt(1) to the bottom panel(B) using I-type hexagon wrench (11).

Step 18



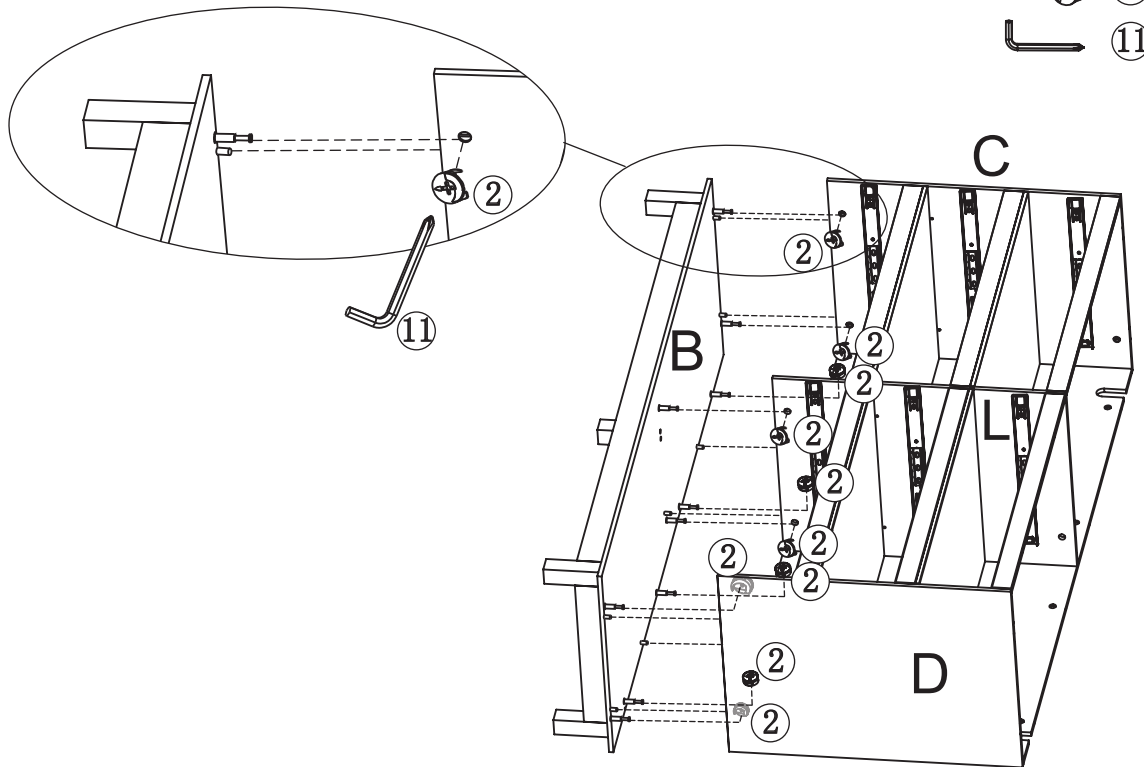
Attach the bottom panel(B) to the leg strip(I,R) with cam nut(2) using I-type hexagon wrench(11).

Step 19



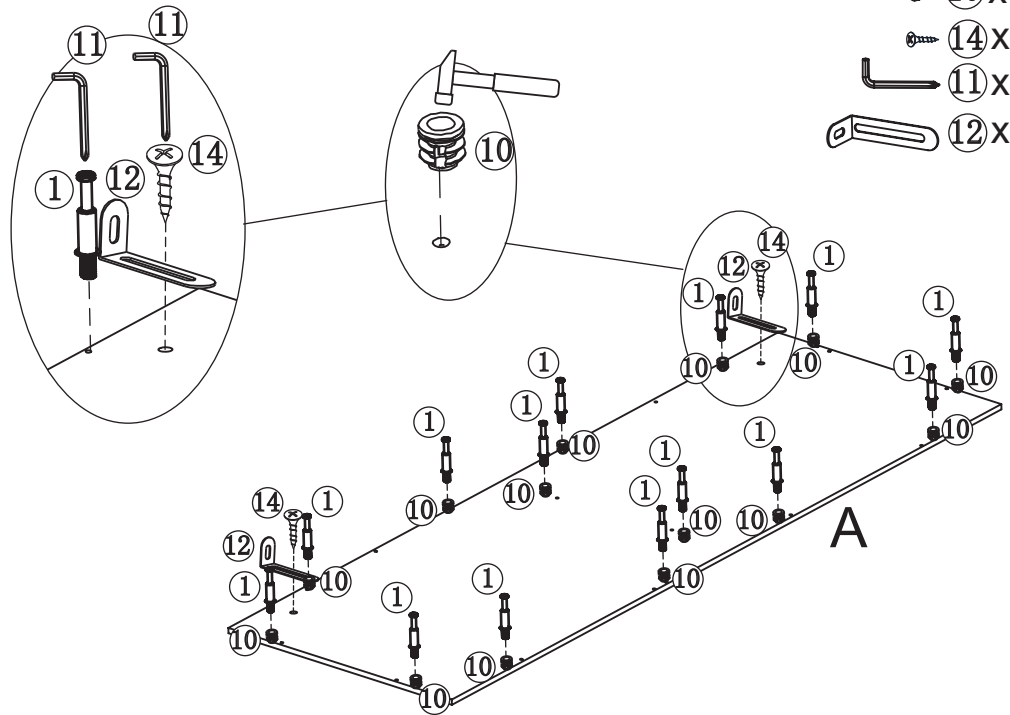
Attach nut(⑩) to the bottom panel(B) using hammer(not provided).
 Attach cam bolt(①) and the dowel(⑧)to the bottom panel(B) using I-type hexagon wrench (⑪).
 Attach the leg (T) to the bottom panel(B) with screw(⑤) using I-type hexagon wrench(⑪).

Step 20



Attach the bottom panel(B) to the left side panel(C),the right side panel(D)and the middle side panel(L) with cam nut(②) using I-type hexagon wrench (⑪).

Step 21

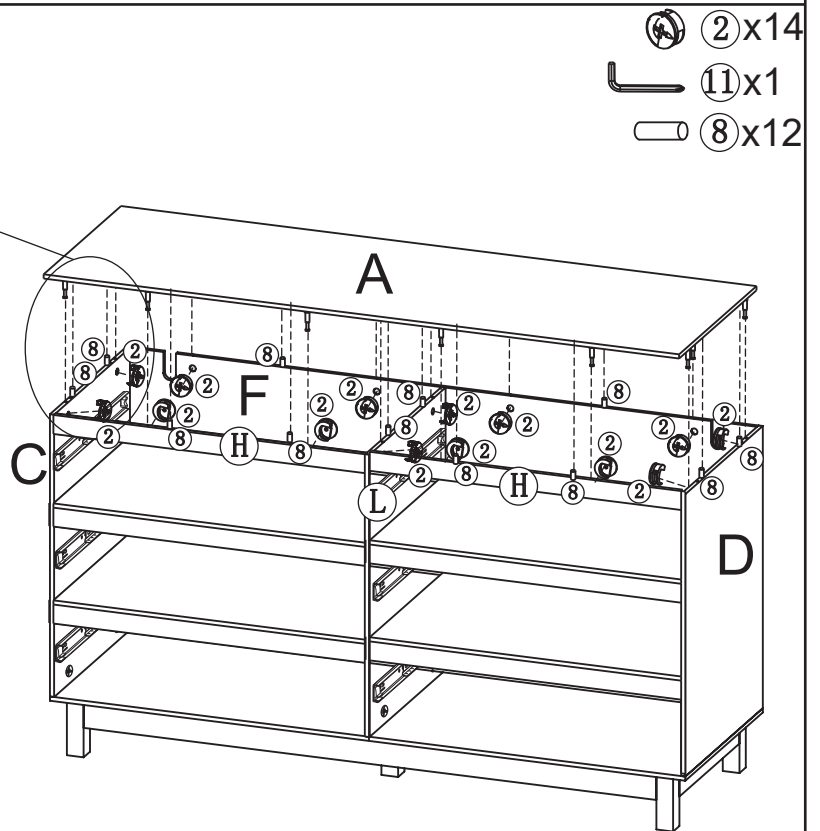
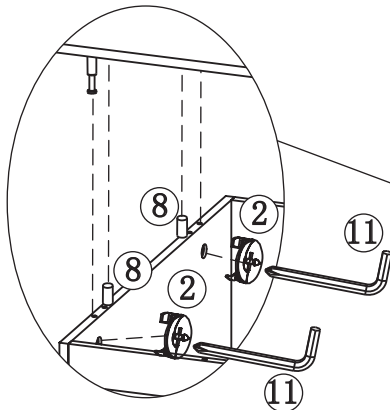


Attach nut (10) to the top panel (A) using hammer (not provided).

Attach cam bolt (1) to the top panel (A) using L-type hexagon wrench (11).

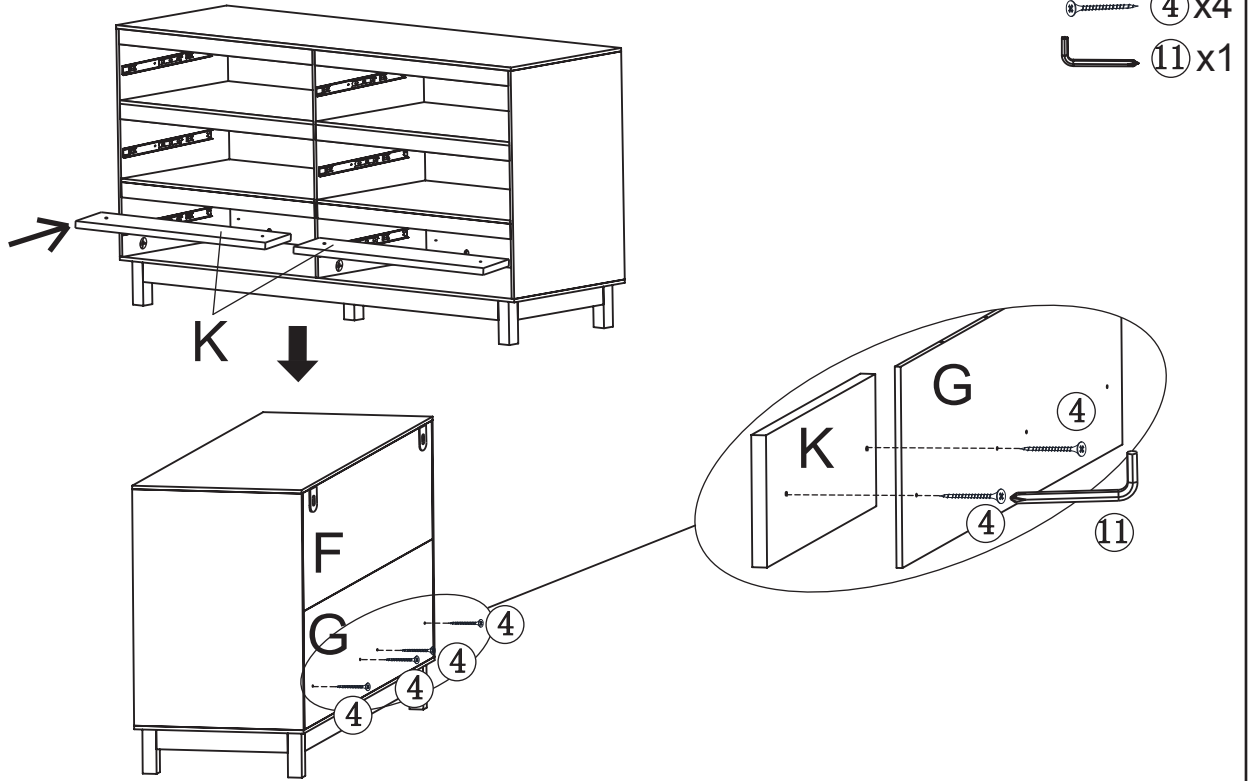
Attach the long side of anti-tipping iron sheet (12) into the top panel (A) with screw (14) using L-type hexagon wrench (11).

Step 22



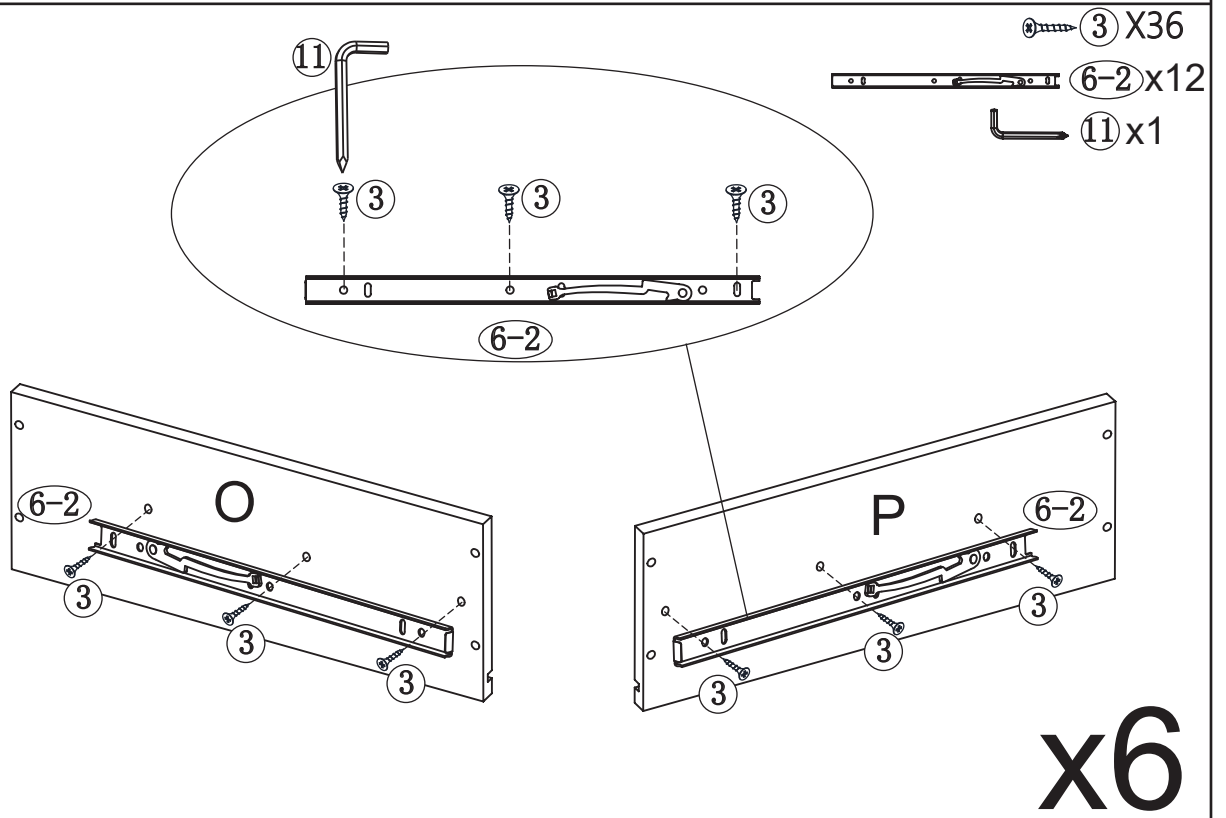
Attach the top panel (A) to the left side panel (C), the right side panel (D), the middle side panel (L), the strip (H) and the back panel (F) with cam nut (2) and dowel (8) using L-type hexagon wrench (11).

Step 23



Put the back panel(K) flat into the back panel (G).
Attach the back panel(K) to the back panel (G) with screw (④) using I-type hexagon wrench(⑪).

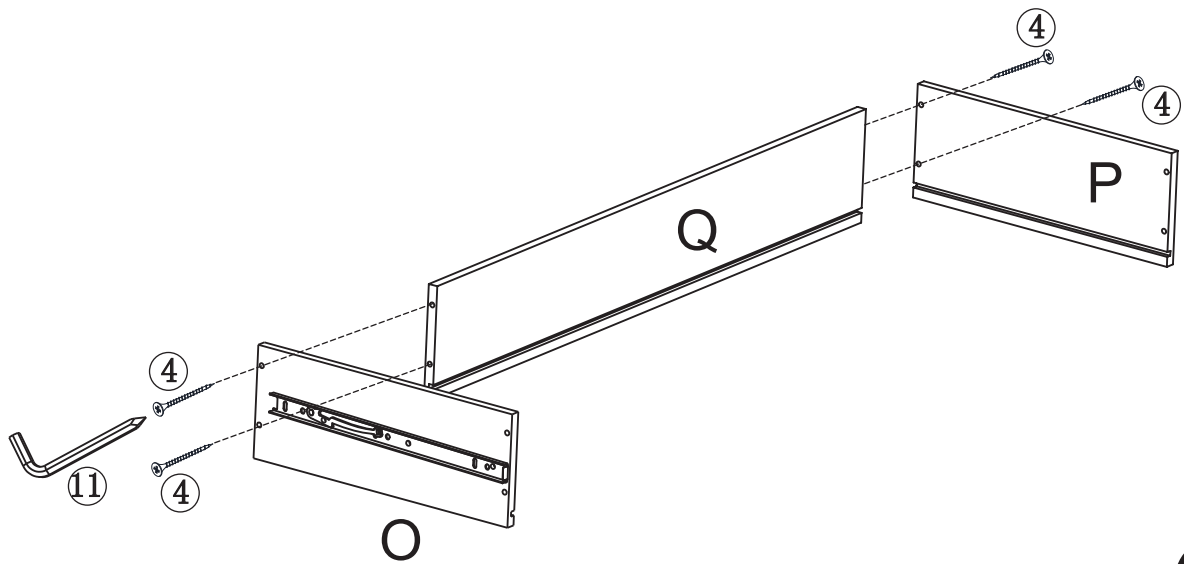
Step 24



Attach the slide rail (⑥-2) to the drawer left side panel(O) with screw(③) using I-type hexagon wrench(⑪). Repeat the previous steps to the drawer right side panel(P).

Step 25

④ x24
⑪ x1

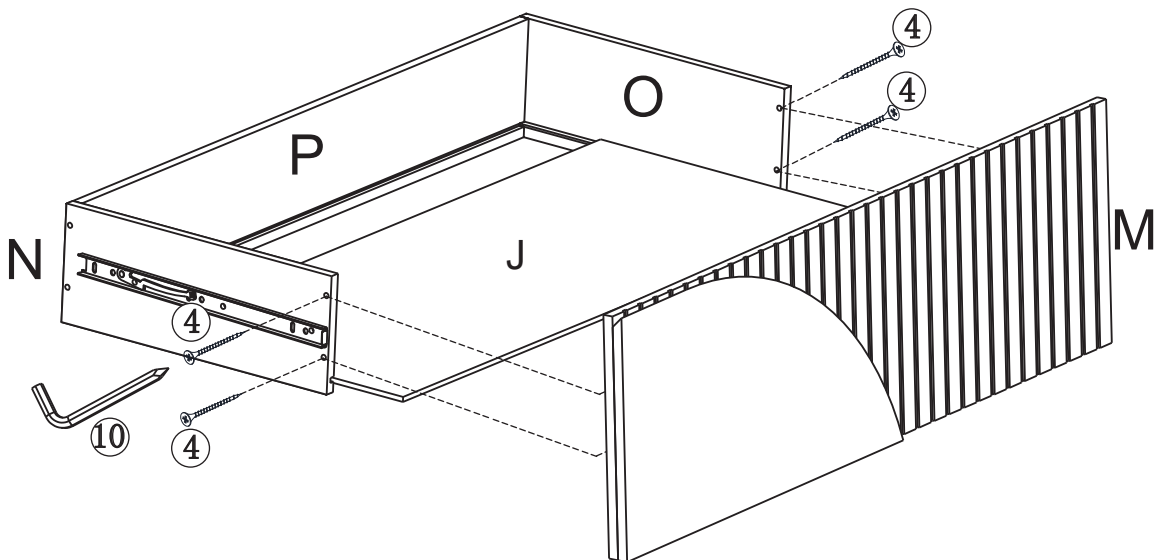


x6

Attach the drawer left side panel(O) to the drawer back panel (Q) with screw (④) using I-type hexagon wrench(⑪).Repeat the previous steps to the drawer right side panel(P).

Step 26

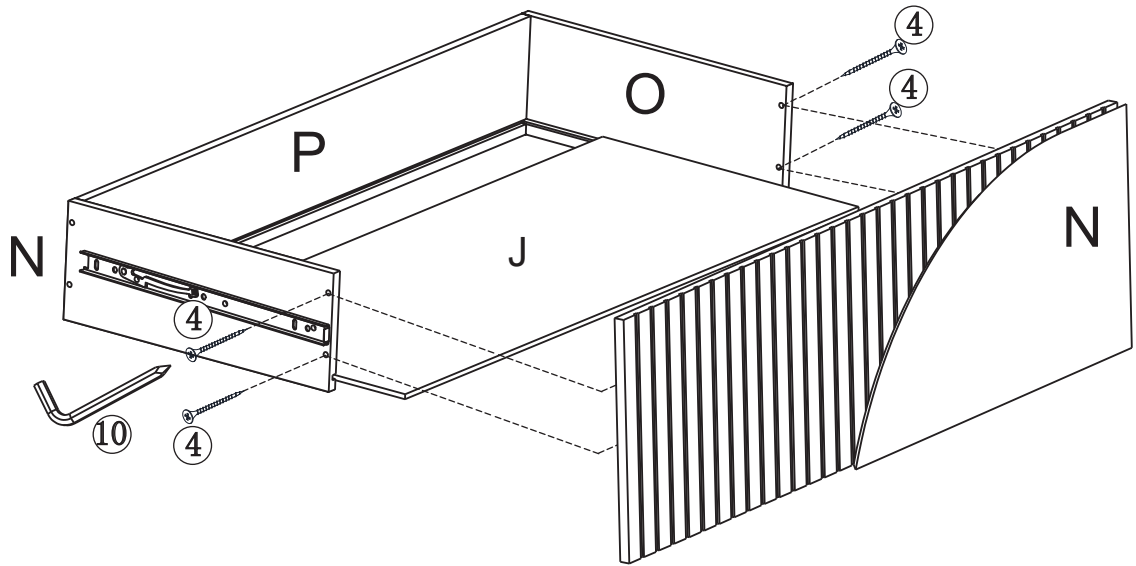
④ x4
⑪ x1



Insert the drawer bottom panel(J) into the groove of the drawer left side panel(O) and the drawer right side panel(P).Attach the drawer left side panel(O) and the drawer right side panel(P) to the left drawer panel(M) with screw (④) using I-type hexagon wrench(⑪).

Step 27

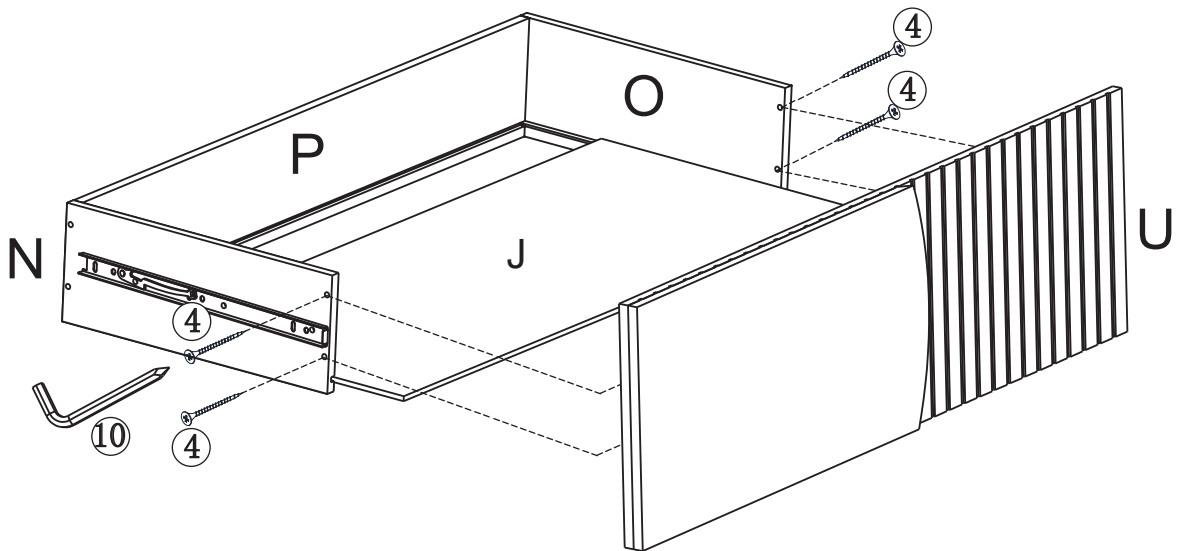
④ x4
⑪ x1



Insert the drawer bottom panel(J) into the groove of the drawer left side panel(O) and the drawer right side panel(P). Attach the drawer left side panel(O) and the drawer right side panel(P) to the right drawer panel(N) with screw (④) using I-type hexagon wrench(⑪).

Step 28

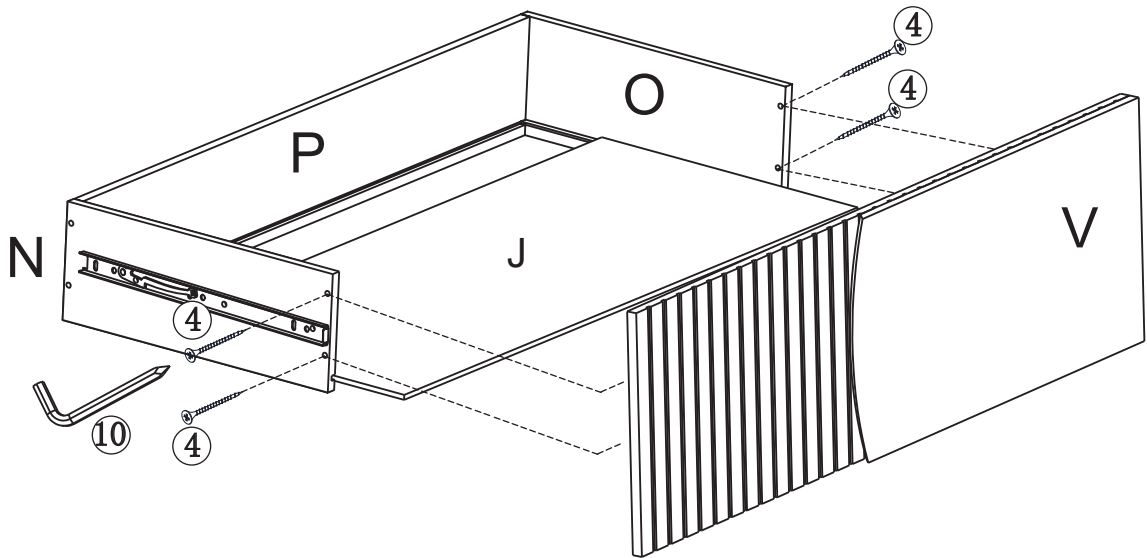
④ x4
⑪ x1



Insert the drawer bottom panel(J) into the groove of the drawer left side panel(O) and the drawer right side panel(P). Attach the drawer left side panel(O) and the drawer right side panel(P) to the left drawer panel(U) with screw (④) using I-type hexagon wrench(⑪).

Step 29

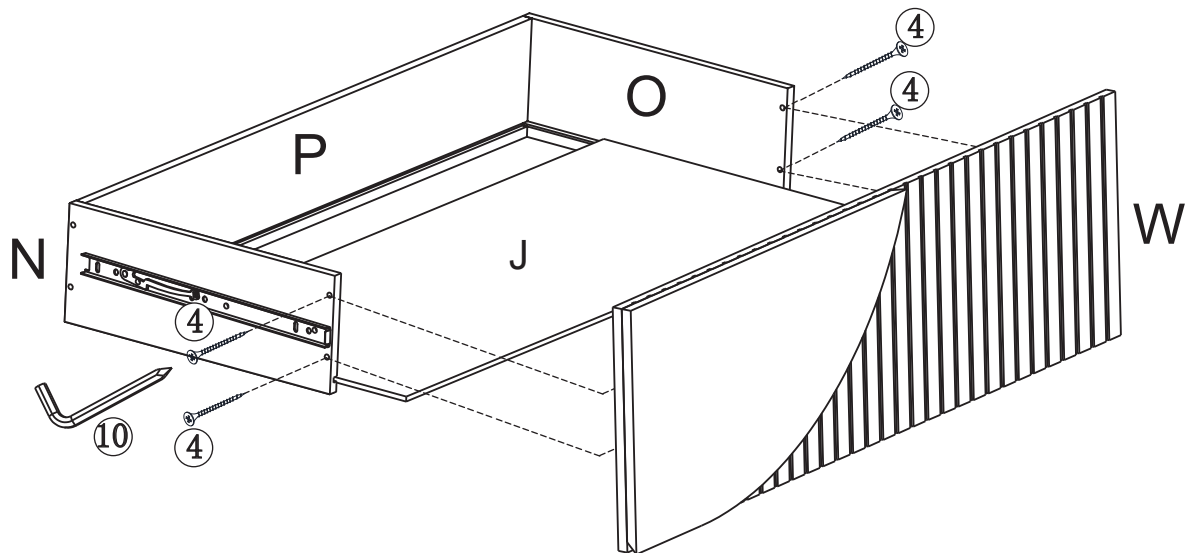
④x4
⑪x1



Insert the drawer bottom panel(J) into the groove of the drawer left side panel(O) and the drawer right side panel(P). Attach the drawer left side panel(O) and the drawer right side panel(P) to the right drawer panel(V) with screw (④) using I-type hexagon wrench(⑪).

Step 30

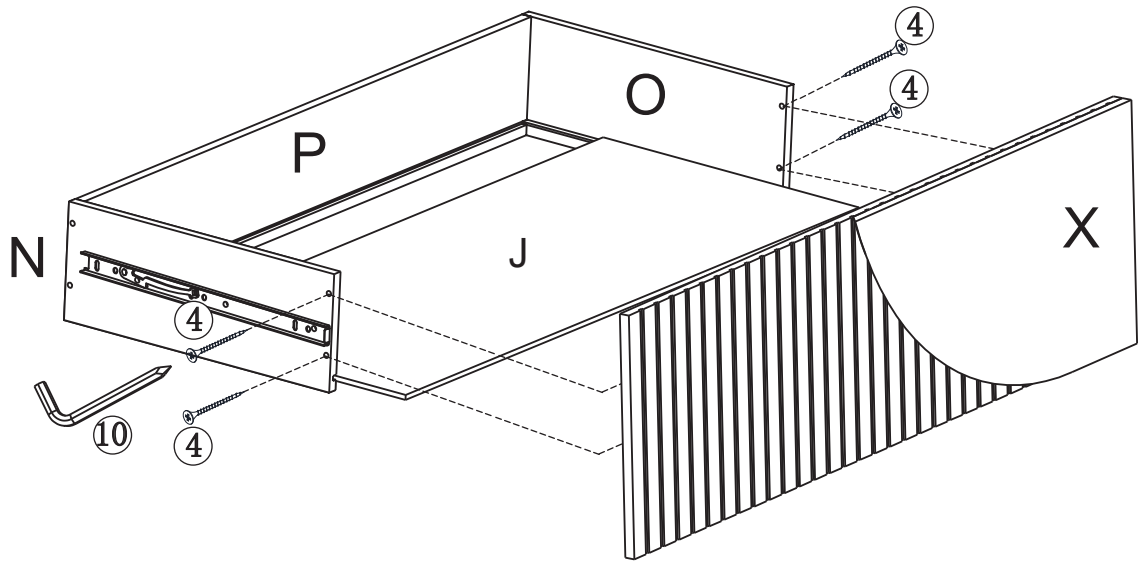
④x4
⑪x1



Insert the drawer bottom panel(J) into the groove of the drawer left side panel(O) and the drawer right side panel(P). Attach the drawer left side panel(O) and the drawer right side panel(P) to the left drawer panel(W) with screw (④) using I-type hexagon wrench(⑪).

Step 31

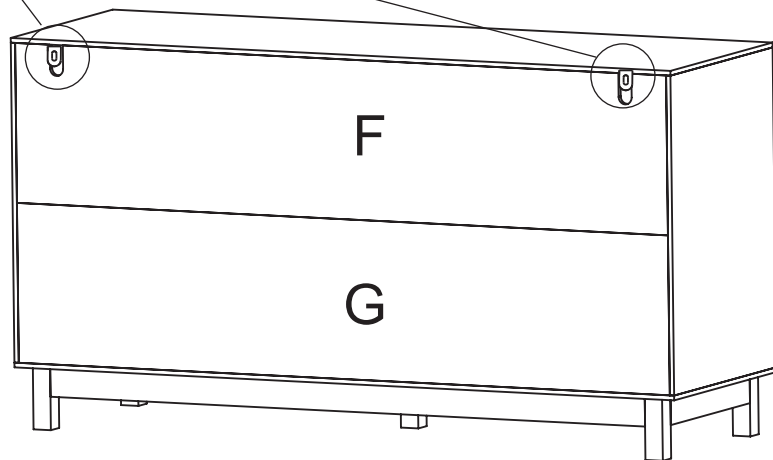
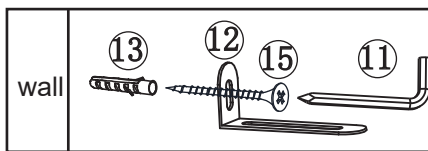
- ④x4
- ⑪x1



Insert the drawer bottom panel(J) into the groove of the drawer left side panel(O) and the drawer right side panel(P). Attach the drawer left side panel(O) and the drawer right side panel(P) to the right drawer panel(X) with screw (④) using I-type hexagon wrench(⑪).

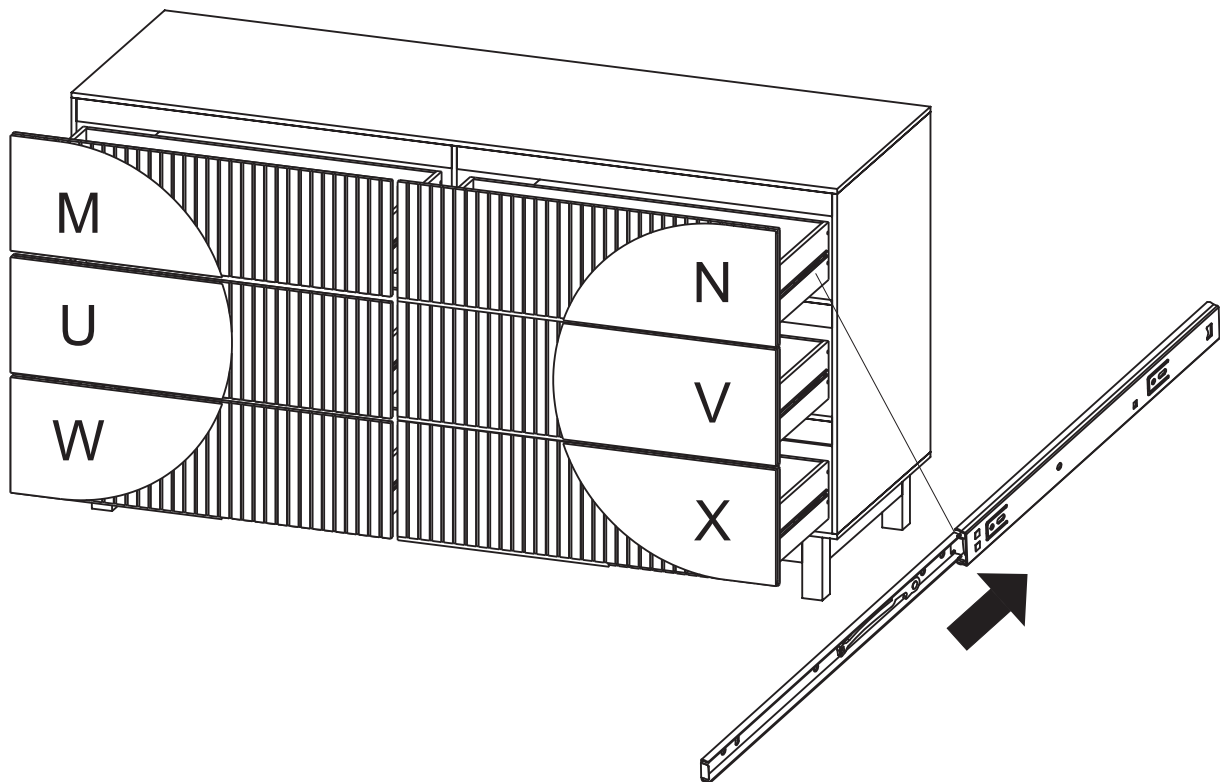
Step 32

- ⑫x2
- ⑬x2
- ⑮x2
- ⑪x1



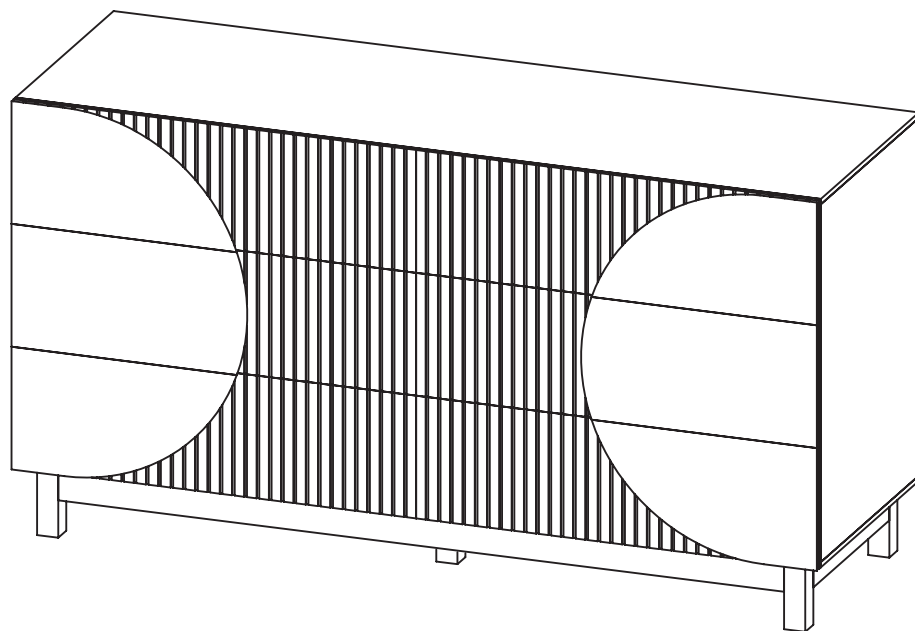
Screw the nut (⑬) into the wall. Install the short side of anti-tipping iron sheet (⑫) on the wall with screw(⑮) using I-type hexagon wrench(⑪).

Step 33



Please put the drawer in the table.

Step 34



Note: If the assembled product is uneven, this can be resolved by adjusting the feet.

You cabinet is ready for use.

Questions & Answers about Proposition 65

- What is Proposition 65?

Proposition 65 requires businesses to provide warnings to Californians about significant exposures to chemicals that cause cancer, birth defects or other reproductive harm.

These chemicals can be in the products that Californians purchase, in their homes or workplaces, or that are released into the environment. By requiring that this information be provided, Proposition 65 enables Californians to make informed decisions about their exposures to these chemicals. Proposition 65 also prohibits California businesses from knowingly discharging significant amounts of listed chemicals into sources of drinking water. Proposition 65 requires California to publish a list of chemicals known to cause cancer, birth defects or other reproductive harm. This list, which must be updated at least once a year, has grown to include approximately 900 chemicals since it was first published in 1987.

- What types of chemicals are on the Proposition 65 list?

The list contains a wide range of naturally occurring and synthetic chemicals that include additives or ingredients in pesticides, common household products, food, drugs, dyes, or solvents. Listed chemicals may also be used in manufacturing and construction, or they may be byproducts of chemical processes, such as motor vehicle exhaust.

- What does a warning mean?

If a warning is placed on a product label or posted or distributed at a workplace, a business, or in rental housing, the business issuing the warning is aware or believes that it is exposing individuals to one or more listed chemicals. By law, a warning must be given for listed chemicals unless the exposure is low enough to pose no significant risk of cancer or is significantly below levels observed to cause birth defects or other reproductive harm.

- Where can I get more information on Proposition 65?

If you have specific questions on the administration or implementation of Proposition 65, you can contact OEHHA's Proposition 65 program at P65.Questions@oehha.ca.gov, or by phone at (916) 445-6900.