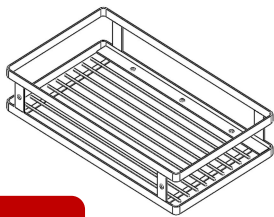


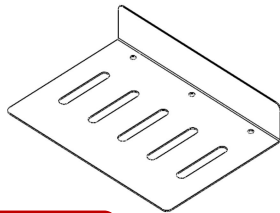
Clothink

INSTALLATION MANUAL

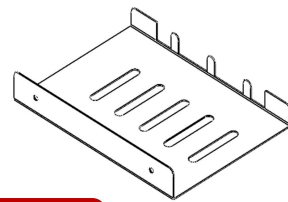
PART DESCRIPTIONS



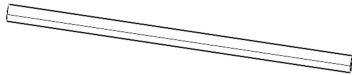
A*1



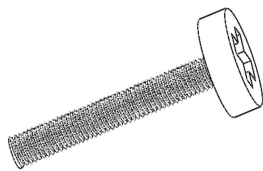
B*1



C*1



D*6



E*6



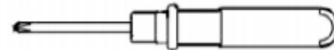
F*3



G*4



H*4



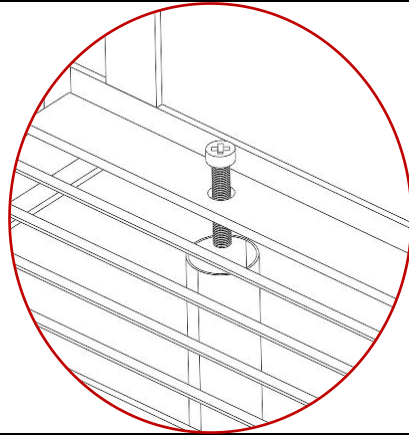
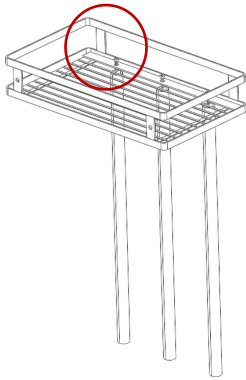
I*1

GUARANTEE

Thank you for Clothink. If you have any questions regarding yours Clothink product, please feel to contact us. We will offer you a replacement or a FULL refund.

Email: clothinkservice@gmail.com

INSTALLATION STEPS

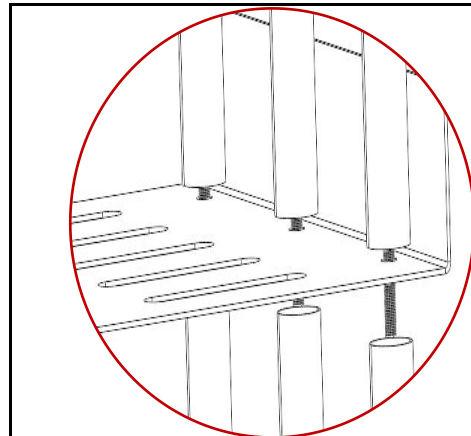
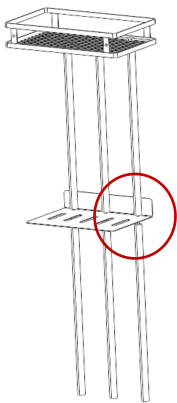


Step 1 needs

A*1

E*3

D*3



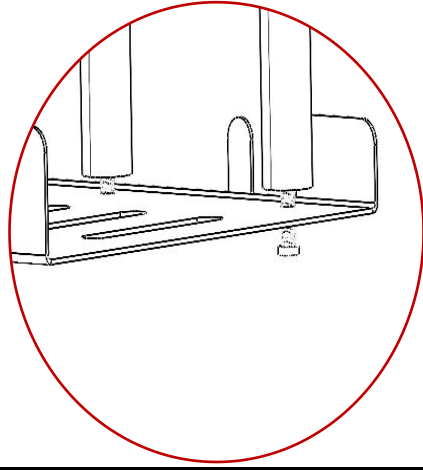
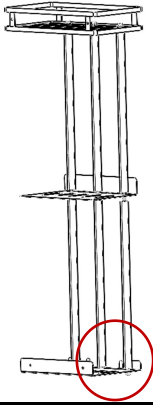
Step 2 needs

F*3

B*1

D*3

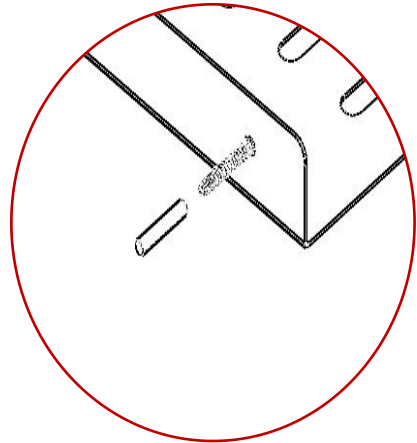
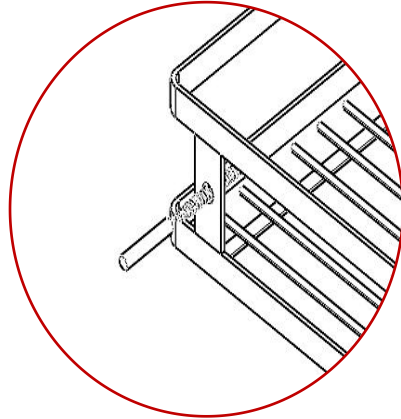
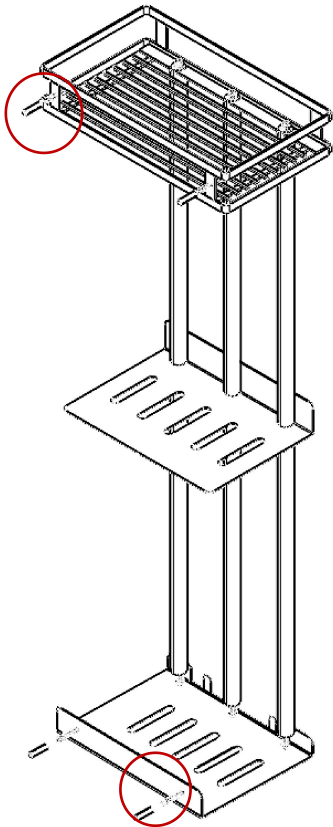
INSTALLATION STEPS



Step 3 needs

C*1

E*3



Step 4 needs

G*4

H*4