

BERNHARDT

Assembly Instructions

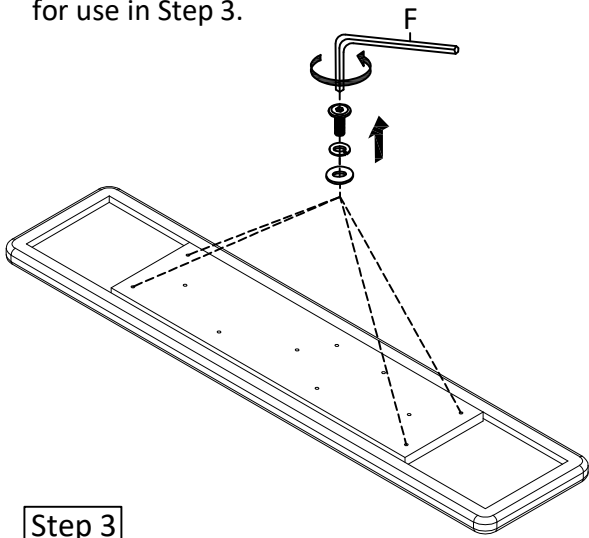
Console

357-917

Thank you for purchasing Bernhardt furniture. Please check all packing material to ensure proper assembly. Please read all instructions carefully before starting the assembly process. Some parts are large and heavy and require AT LEAST TWO PEOPLE to assemble, in order to prevent possible injury and / or damage to the piece.

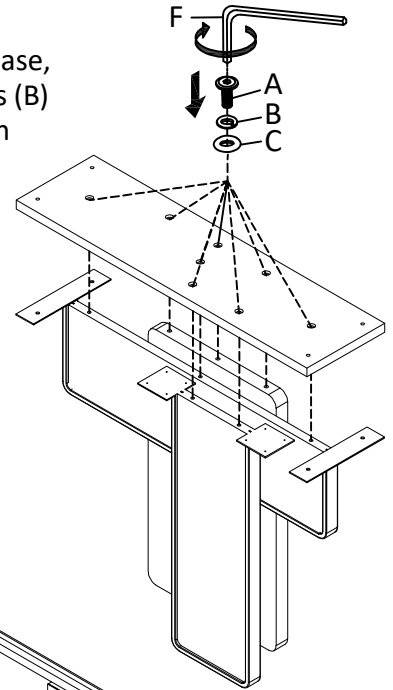
Step 1

Remove the Bridge panel from the Table Top by using Allen Key (F). Reserve bolts and washers for use in Step 3.



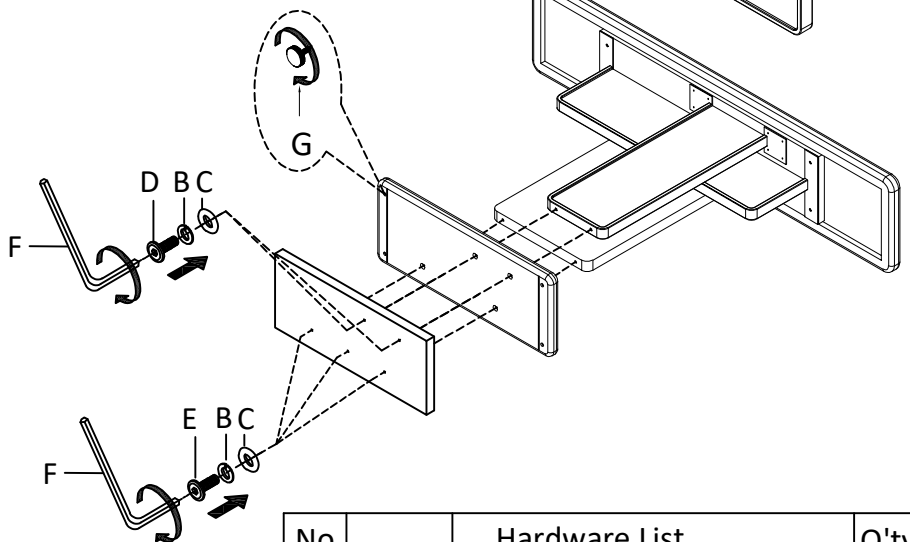
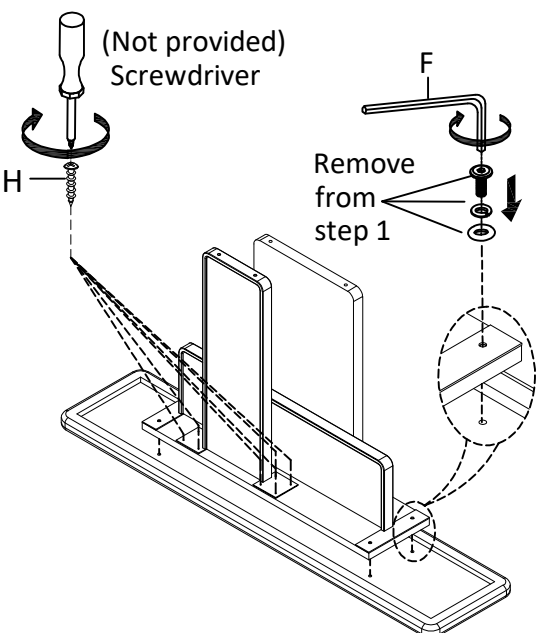
Step 2

Attach the Bridge panel to Base, using Bolts (A), Lock washers (B) and Flat washers (C). Tighten with Allen Key (F).



Step 3

Attach the Table Top to Base using hardware removed in step 1. Tighten with Allen Key (F).



No.		Hardware List	Q'ty
A		Bolts $\varnothing 5/16 \times L1/2''$	8
B		Lock Washer $\varnothing 5/16 \times \varnothing 14 \times 1$	13
C		Flat Washer $\varnothing 5/16 \times \varnothing 18 \times 1.5$	13
D		Bolts $\varnothing 5/16 \times L 2''$	2
E		Bolts $\varnothing 5/16 \times L1-3/4''$	3
F		Allen Key 4mm	1
G		Adjustable glide $\varnothing 1/4'' \times L20$	4
H		Wood Screw $\varnothing 8 \times L3/4''$	8

Cleaning instruction: Wipe surface to be cleaned with damp cotton cloth; dry immediately with soft dry cotton cloth to remove all moisture.