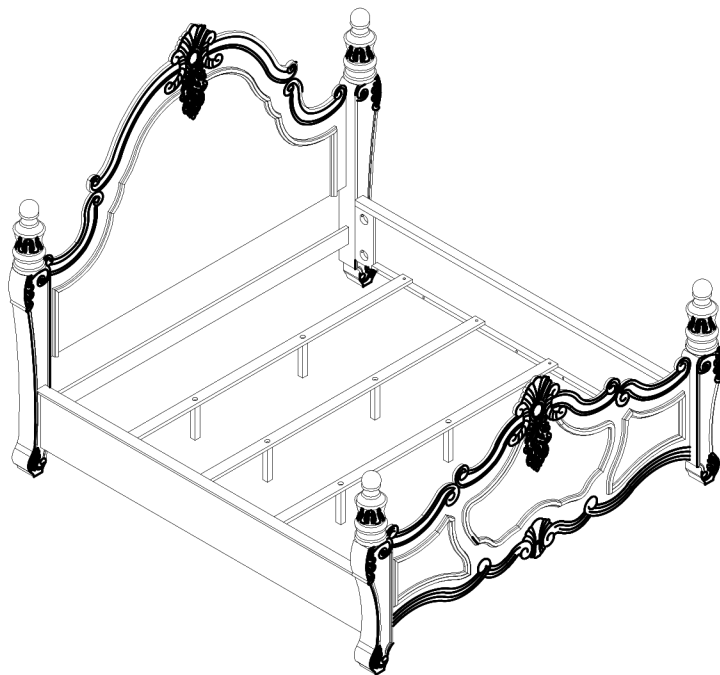


ASSEMBLY INSTRUCTIONS



TOOLS REQUIRED



Allen Wrench

(Included)



Phillips
Screwdriver

(Not Included)



2 - People
Recommended

ASSEMBLY RATING



EASY ————— DIFFICULT

The Assembly Rating is a 5-point system showing the level of effort needed to assemble a specific product.



CHECK BEFORE STARTING



Are you missing anything?

Double-check all parts, hardware and accessories listed on Page 6 are accounted for.



Check out our Quick Tips!

We recommend reviewing the pre-assembly handouts. Even experts need a refresher now and then!



Should we send any replacements?

Are there any irregularities or flaws in the parts? We can send replacements!



Prep Time!

Please review the assembly instructions and all diagrams prior to assembling. Set up your workspace by laying the parts and hardware out separately, then begin!

PRE ASSEMBLY INTRODUCTION

We understand building ready-to-assemble furniture can be a challenging experience for some. To help avoid confusion, we have provided some helpful tips that may speed up the process.



Teamwork

ALWAYS have at least two people to help with transporting and assembling the product to avoid potential injury and/or damage.



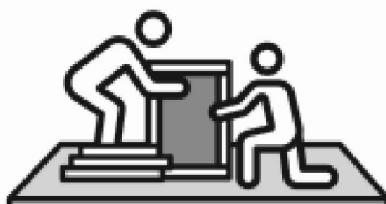
Suitable Location

Assembling near the area of the intended location is highly recommended.



Sufficient Space

Make sure you have enough space to move around during the assembly.



Avoid Scratches

Use cardboard, blankets or a carpeted area while assembling furniture to prevent scratches.



Flat Surface

Make sure the furniture rests on a flat and level surface with each leg evenly touching the floor.

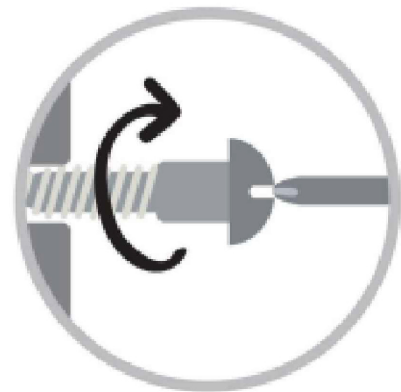
ASSEMBLY AND CARE ADVICE



FAILURE TO FOLLOW THE GUIDELINES BELOW MAY RESULT IN INJURY AND/OR PROPERTY DAMAGE.



Position each part correctly and insert screws or bolts into their respective holes.



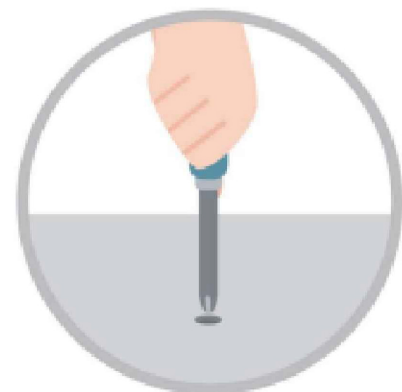
Turn clockwise to tighten and only tighten when step is completed or when instructed to do so.



Use the appropriate hand tools or power tools for assembly. Select steps, such as tightening screws and/or bolts, may require hand tools to avoid causing damage during assembly.



Save the instructions and store any supplied tools for later maintenance.



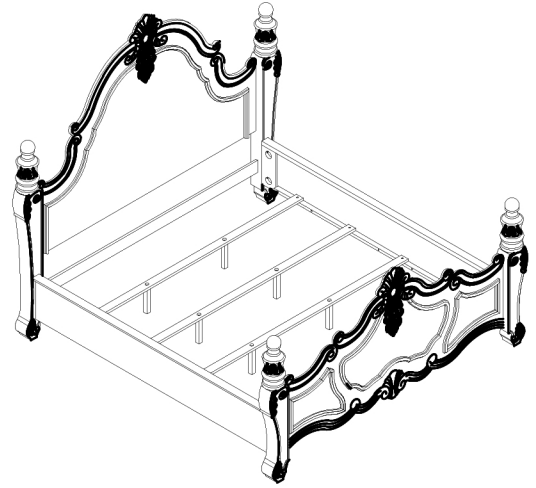
After two weeks, check and tighten any loose hardware and repeat again every six months thereafter.

IT IS THE USER'S RESPONSIBILITY TO MAINTAIN THE FURNITURE. THE HARDWARE MAY LOOSEN OVER TIME AND MAY CAUSE THE FURNITURE TO BE WOBBLY AND UNABLE TO SUPPORT ITS INTENDED WEIGHT CAPACITY. THIS MAY LEAD TO COLLAPSE AND MAY CAUSE SERIOUS INJURY.

BED



- Please keep instructions for future reference.
- Check the quantity and irregularity of parts and hardware before you start.



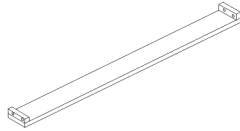
PARTS

#1 1pc



Headboard

#2 1pc



HEADBOARD CROSS BAR

#3 2pcs



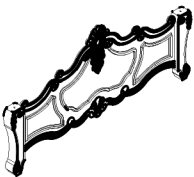
HEADBOARD (L/R) POSTS

#4 4pcs



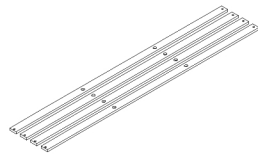
BED TOP FINIAL

#5 1pc



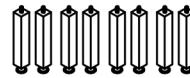
Footboard

#6 4pcs



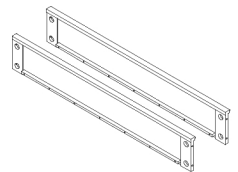
Slat

#7 8pcs



Slat support leg $\phi 5/16''$

#8 2pcs



Siderail

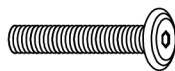
HARDWARE

#A 1pc



Allen key M4

#B 10pcs



Bolt $\phi 5/16''$ x 1-3/4"

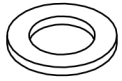
#C 10pcs



Lock Washer $\phi 5/16''$

HARDWARE

#D 10pcs



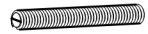
Flat Washer Ø5/16"

#E 8pcs



Screw #4 x 30mm

#F 8pcs



Ø5/16" * 3-1/4"

#G 8pcs



Half Moon Washer
(Ø5/16")

#H 8pcs

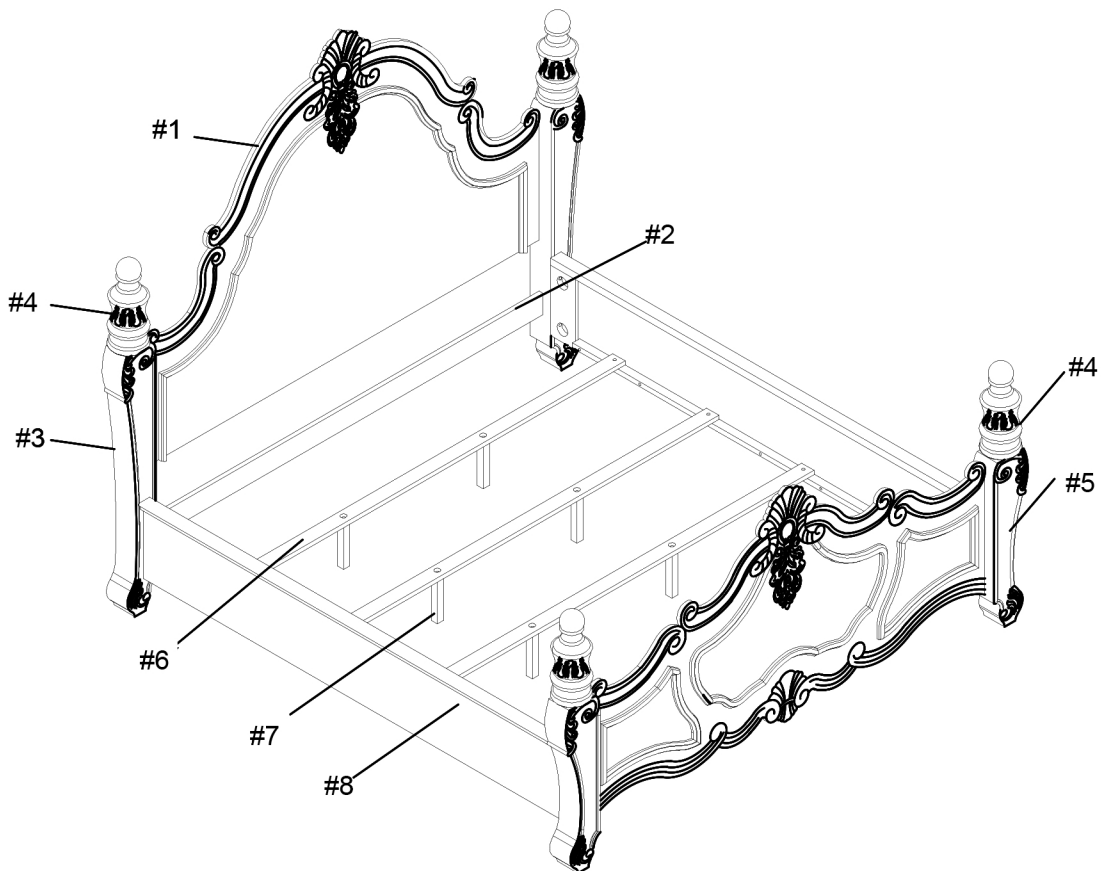


Hex Nut (Ø5/16")





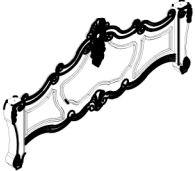



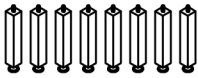
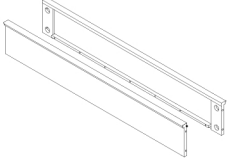
#I 1pc



Wrench 14mm



packed in 4 cases

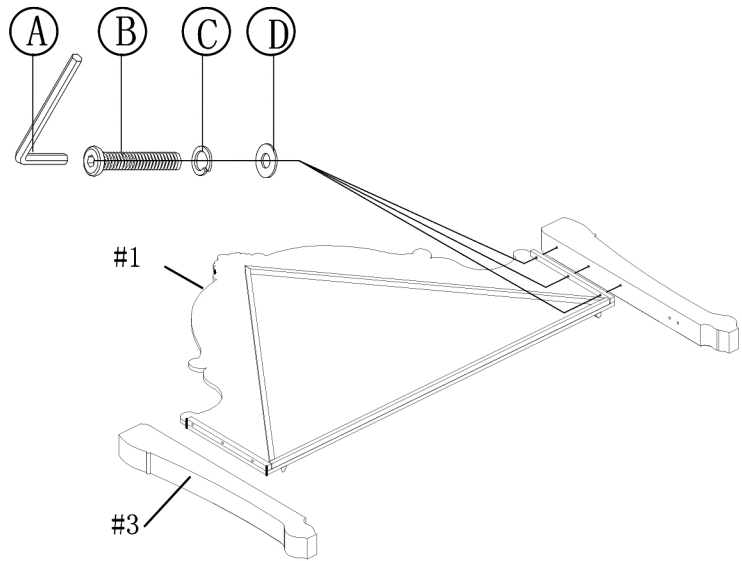
Carton	Disignation	Part	Hardware	
	Headboard	#1		#6
	HEADBOARD CROSS BAR	#2		
	HEADBOARD (L/R) POSTS	#3		
	BED TOP FINIAL 2PCS	#4		
	Footboard 1PC	#5		 <ul style="list-style-type: none"> #A x1pc #B x10pcs #C x10pcs #D x10pcs #E x8pcs #F x8pcs #G x8pcs #H x8pcs #I x1pc
	BED TOP FINIAL 2PCS	#4		
	Slat x 4pcs	#6		
	Slat support leg $\phi 5/16''$	#7		
	Siderail x 2pcs	#8		

ASSEMBLY INSTRUCTIONS

1

- Part **#1** x1pc
- Part **#3** x2pcs
- Hardware **#B** x 6pcs
- Hardware **#C** x 6pcs
- Hardware **#D** x 6pcs

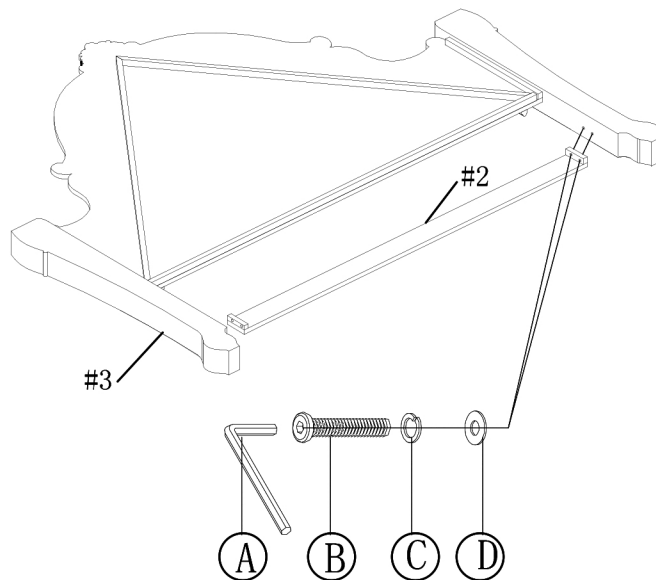
Align the L/R Headboard post (#3) to the Headboard (#1) and secure together by using Bolt (#B) with Lock washer (#C) and Flat washer (#D).



2

- Part **#2** x1pc
- Part **#3** x2pcs
- Hardware **#B** x 4pcs
- Hardware **#C** x 4pcs
- Hardware **#D** x 4pcs

Attach the Headboard cross bar (#2) in between the Headboard post (#3) by using Bolt (#B) with Lock washer (#C) and Flat washer (#D).



ASSEMBLY INSTRUCTIONS

3

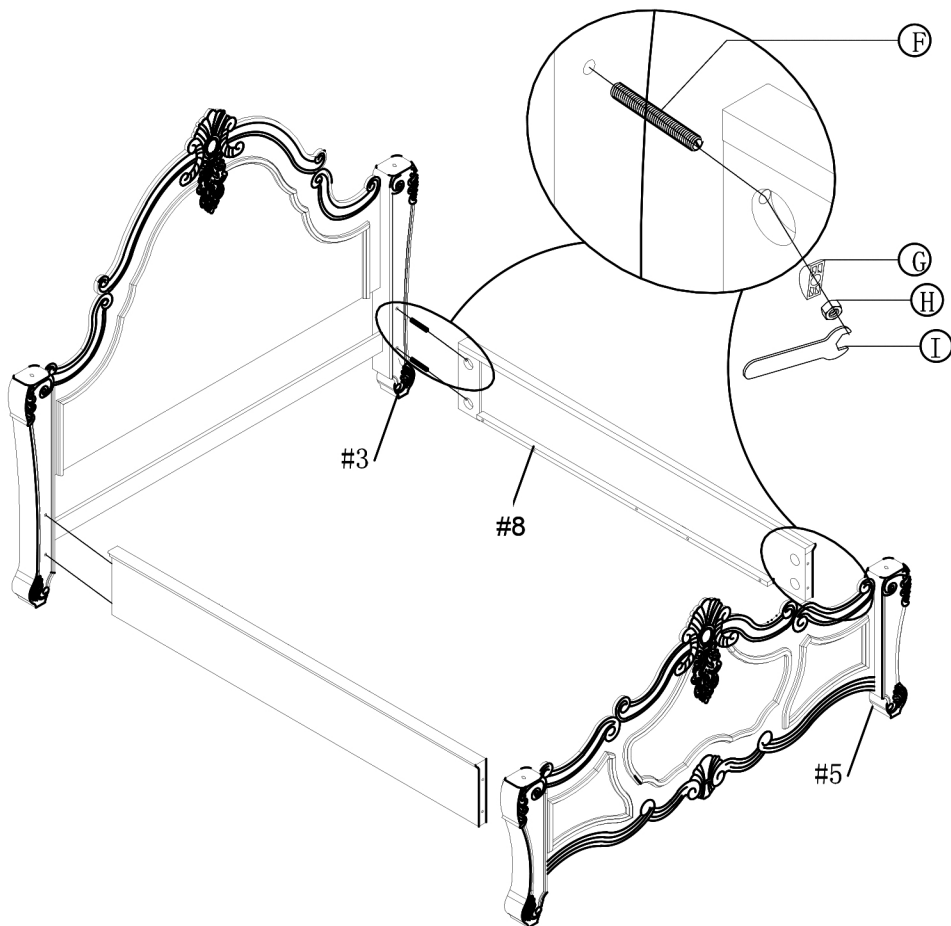
Part **#8** x2pcs

Hardware **#F** x4 pcs

Hardware **#G** x4 pcs

Hardware **#H** x4 pcs

Use the Threaded bolt (#F) to align the Side rail (#8) to the Headboard legs (#1) and Footboard (#5). Secure at each end by using the Half moon washer (#G) followed by the Hex nut (#H).



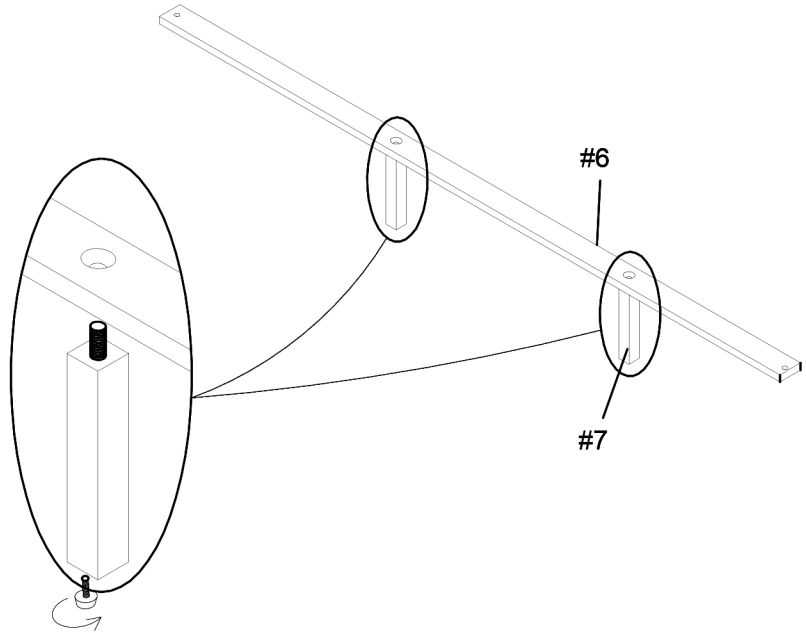
ASSEMBLY INSTRUCTIONS

4

Part **#6** x4pcs

Part **#7** x8pcs

Twist on the Slat support leg (#7) onto the Slat (#6).

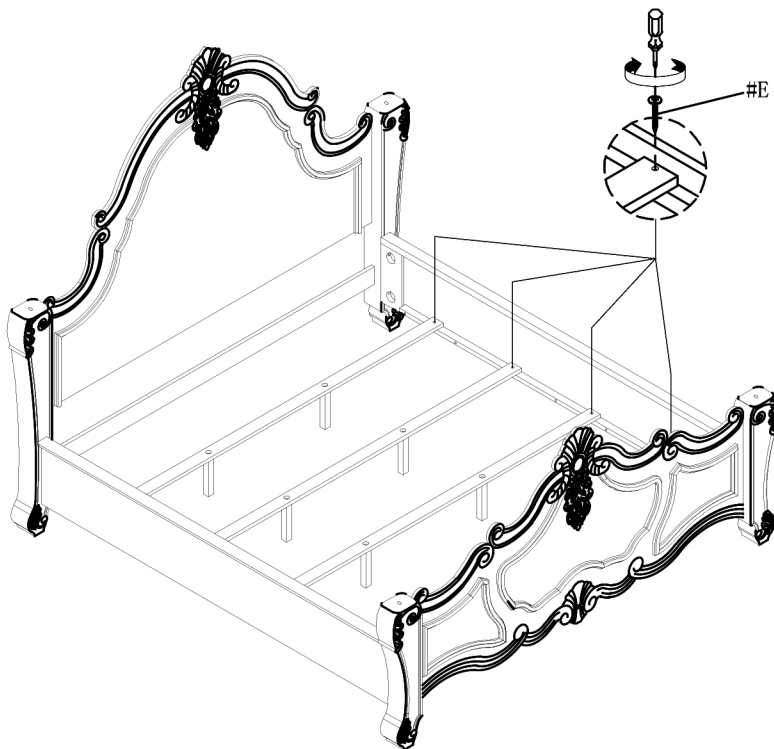


5

Part **#6** x4pcs

Hardware **#E** x4 pcs

Spread evenly the Slat (#6) over the Side Rail (#8) and secure by using Screw (#E).



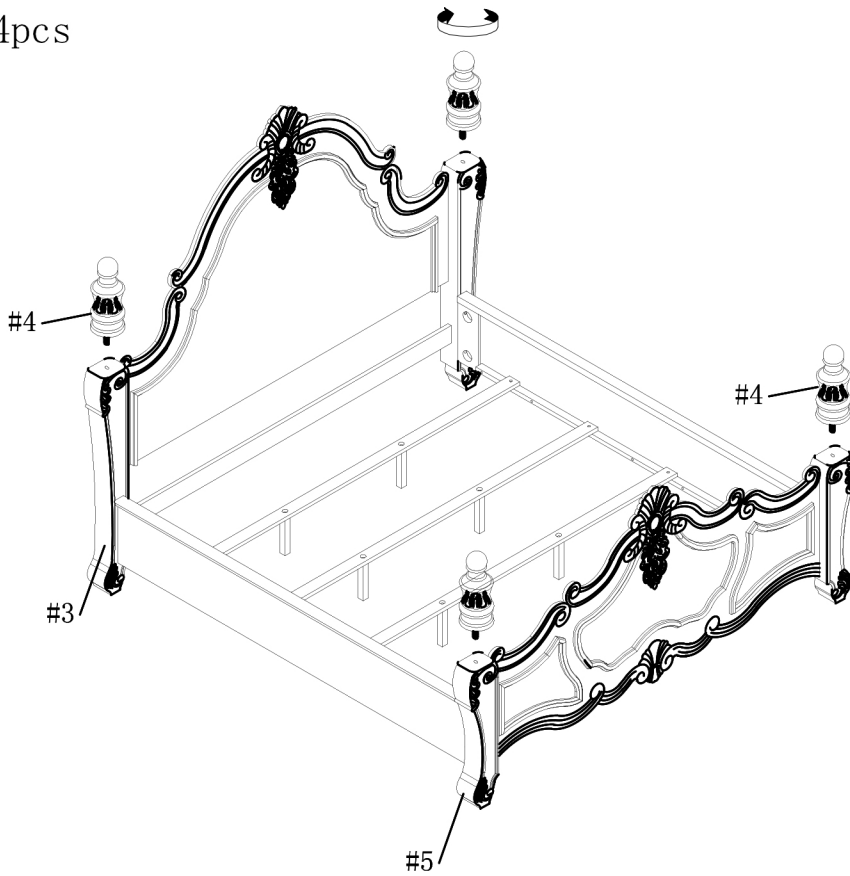
ASSEMBLY INSTRUCTIONS

6

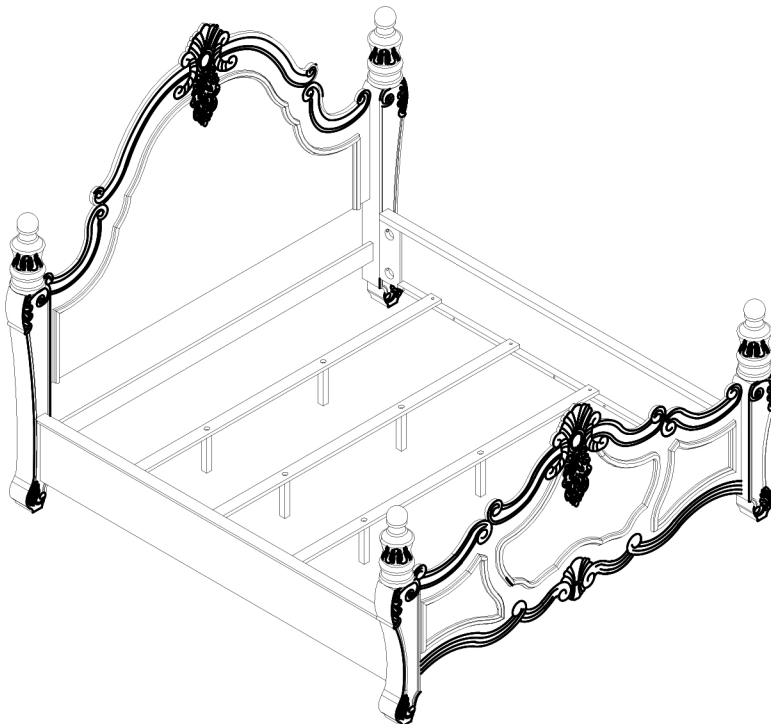
Twist on the Bed top finial (#4) the four legs.

Part **#4** x4pcs

x 4

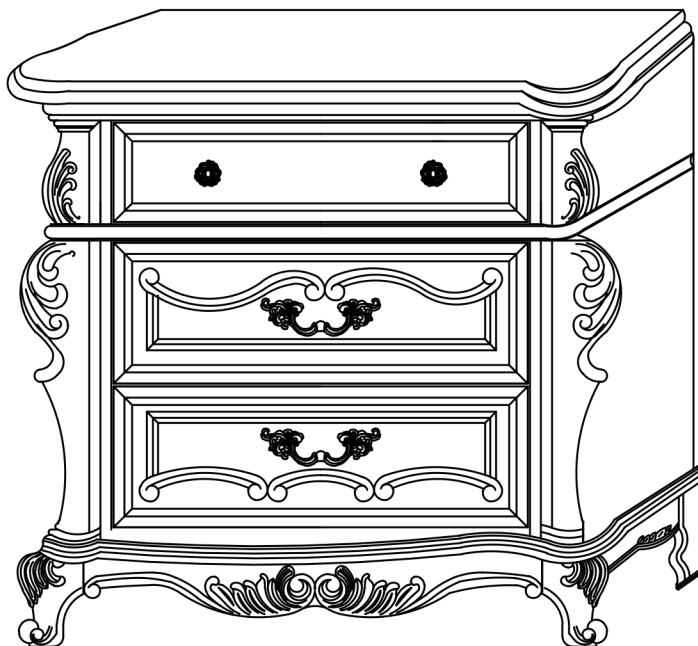


7



This product is intended for RESIDENTIAL USE ONLY and not for commercial use.

ASSEMBLY INSTRUCTIONS



TOOLS REQUIRED



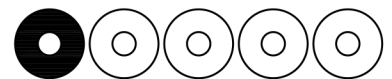
Phillips
Screwdriver

(Not Included)



2 - People
Recommended

ASSEMBLY RATING



EASY —————> DIFFICULT

The Assembly Rating is a 5-point system showing the level of effort needed to assemble a specific product.



CHECK BEFORE STARTING



Are you missing anything?

Double-check all parts, hardware and accessories listed on Page 6 are accounted for.



Check out our Quick Tips!

We recommend reviewing the pre-assembly handouts. Even experts need a refresher now and then!



Should we send any replacements?

Are there any irregularities or flaws in the parts? We can send replacements!



Prep Time!

Please review the assembly instructions and all diagrams prior to assembling. Set up your workspace by laying the parts and hardware out separately, then begin!

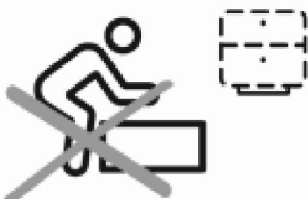
PRE ASSEMBLY INTRODUCTION

We understand building ready-to-assemble furniture can be a challenging experience for some. To help avoid confusion, we have provided some helpful tips that may speed up the process.



Teamwork

ALWAYS have at least two people to help with transporting and assembling the product to avoid potential injury and/or damage.



Suitable Location

Assembling near the area of the intended location is highly recommended.



Sufficient Space

Make sure you have enough space to move around during the assembly.



Avoid Scratches

Use cardboard, blankets or a carpeted area while assembling furniture to prevent scratches.



Flat Surface

Make sure the furniture rests on a flat and level surface with each leg evenly touching the floor.

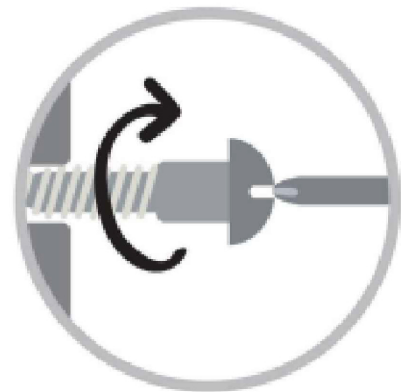
ASSEMBLY AND CARE ADVICE



FAILURE TO FOLLOW THE GUIDELINES BELOW MAY RESULT IN INJURY AND/OR PROPERTY DAMAGE.



Position each part correctly and insert screws or bolts into their respective holes.



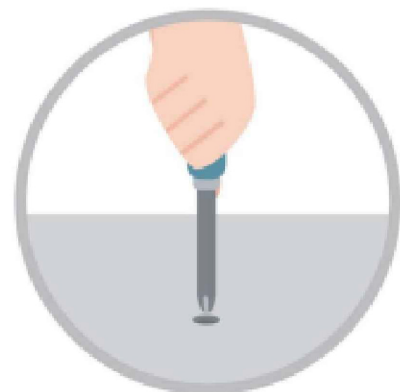
Turn clockwise to tighten and only tighten when step is completed or when instructed to do so.



Use the appropriate hand tools or power tools for assembly. Select steps, such as tightening screws and/or bolts, may require hand tools to avoid causing damage during assembly.



Save the instructions and store any supplied tools for later maintenance.



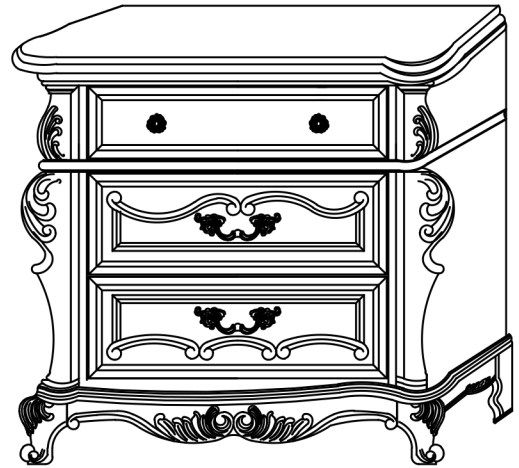
After two weeks, check and tighten any loose hardware and repeat again every six months thereafter.

IT IS THE USER'S RESPONSIBILITY TO MAINTAIN THE FURNITURE. THE HARDWARE MAY LOOSEN OVER TIME AND MAY CAUSE THE FURNITURE TO BE WOBBLY AND UNABLE TO SUPPORT ITS INTENDED WEIGHT CAPACITY. THIS MAY LEAD TO COLLAPSE AND MAY CAUSE SERIOUS INJURY.

NIGHT STAND



- Please keep instructions for future reference.
- Check the quantity and irregularity of parts and hardware before you start.



PARTS

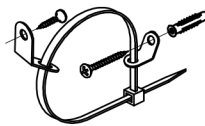
#1 1pc



Nightstand

HARDWARE

#A 1 Set



Anti Tip Kit

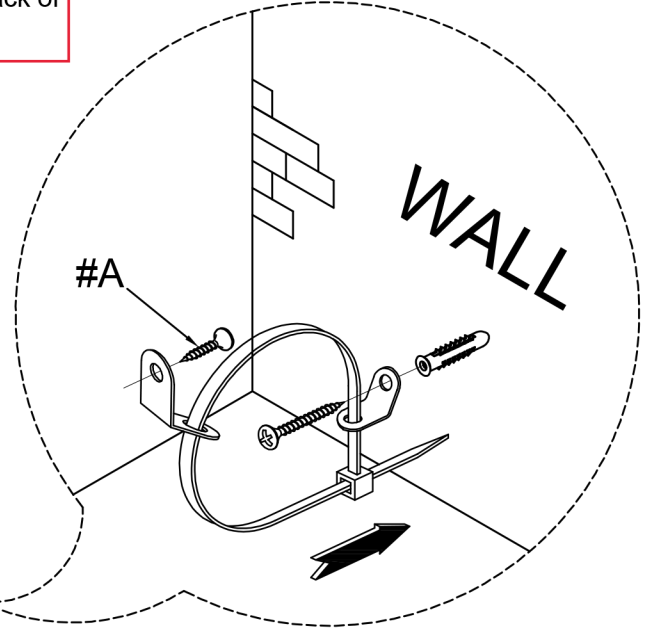
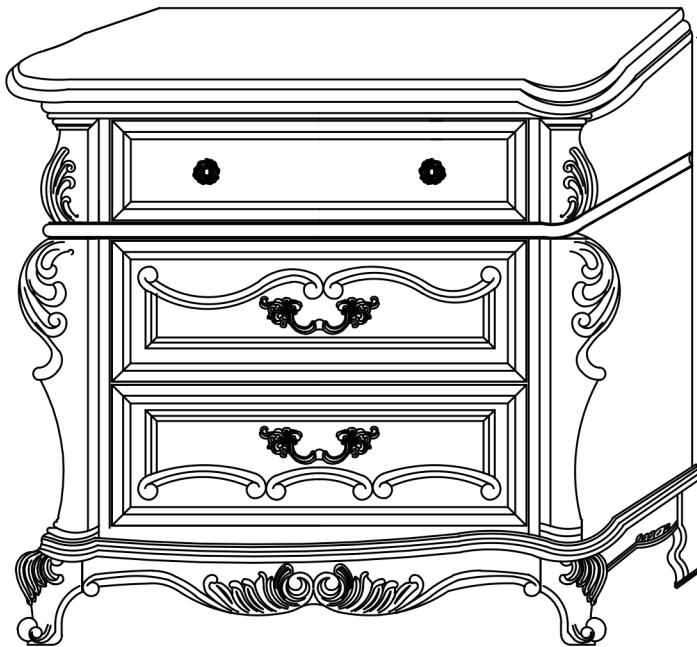
ASSEMBLY INSTRUCTIONS

1

Part #1 x1pc

Hardware #A X 1 Set

Use anti-tip kit to mount back of nightstand to the wall.



ASSEMBLY COMPLETED



Please ensure the furniture rests on an even and flat surface. If the product wobbles or feels loose, double-check all bolts and/or screws are properly tightened and secured.



Keep this handy!

Please retain this instruction manual and any order-related information for future reference.



Lift, don't drag!

To avoid damage to product please always LIFT the product when transporting or adjusting the placement.

This product is intended for RESIDENTIAL USE ONLY and not for commercial use.

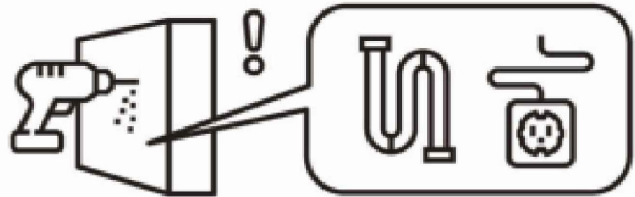
ASSEMBLY INSTRUCTIONS

Wall Mounting and Fixing



EXPANSION WALL ANCHOR

Our provided expansion wall anchors are only suitable for masonry walls, such as drywall, plaster or concrete, and are best for holding lightweight items or for anti-tip prevention. If you are unsure of the correct wall anchor to use with the product, please request professional guidance. Liability for product damage or failure due to using the incorrect anchors will fall on the installer.

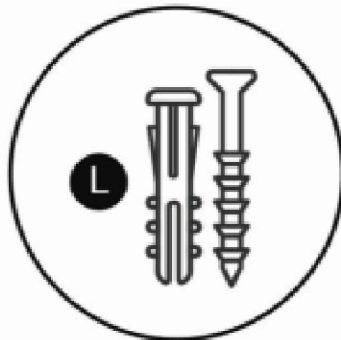


CHECK BEFORE PROCEEDING

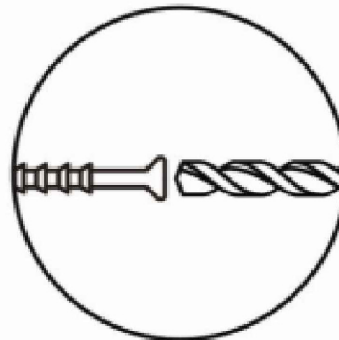
Prior to drilling or hammering, please check for wires or pipes. We recommend using a stud finder to locate a stud, which will offer more appropriate resistance and hold more weight.

QUICK TIPS

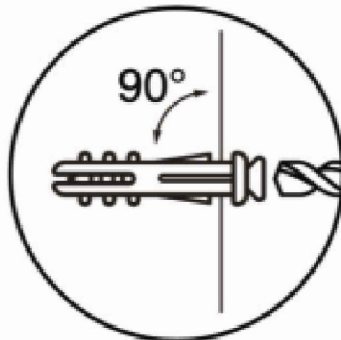
1. If unsure of the proper size, always choose a larger screw and wall anchor.



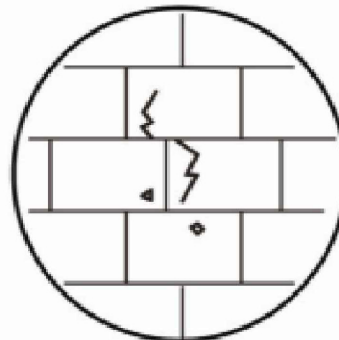
2. Match the drill bit to the wall anchor and hole size.



3. Only drill horizontally. Do not force the drill or enlarge the hole for the wall anchor.



4. Take extra care when drilling into high walls or ceramic tiles. Wall anchors should be a tight fit for the hole. Never use wall anchors in ceilings.



MAINTENANCE



We recommend a yearly check to see if the wall anchor or screw has loosened. If so, please remove the existing wall anchor and screw, and use a new anchor.